

BERWYN IN-WALL SHOWER DIVERTER TRIM

SKU: 953652

Code: SHBW90052, SH6103, SHBW9005, SH6101



FEATURES

Material: Metal

Required for Installation: Rough-in valve: SH6103 or SH6101

ASME A112.18.1/CSA B125.1, ASME A112.18.2/CSA B125.2, Massachusetts Accepted, LISTED ID: SHBW90052XX, SH6103, SH6101, SHBW9005**



ADDITIONAL FEATURES

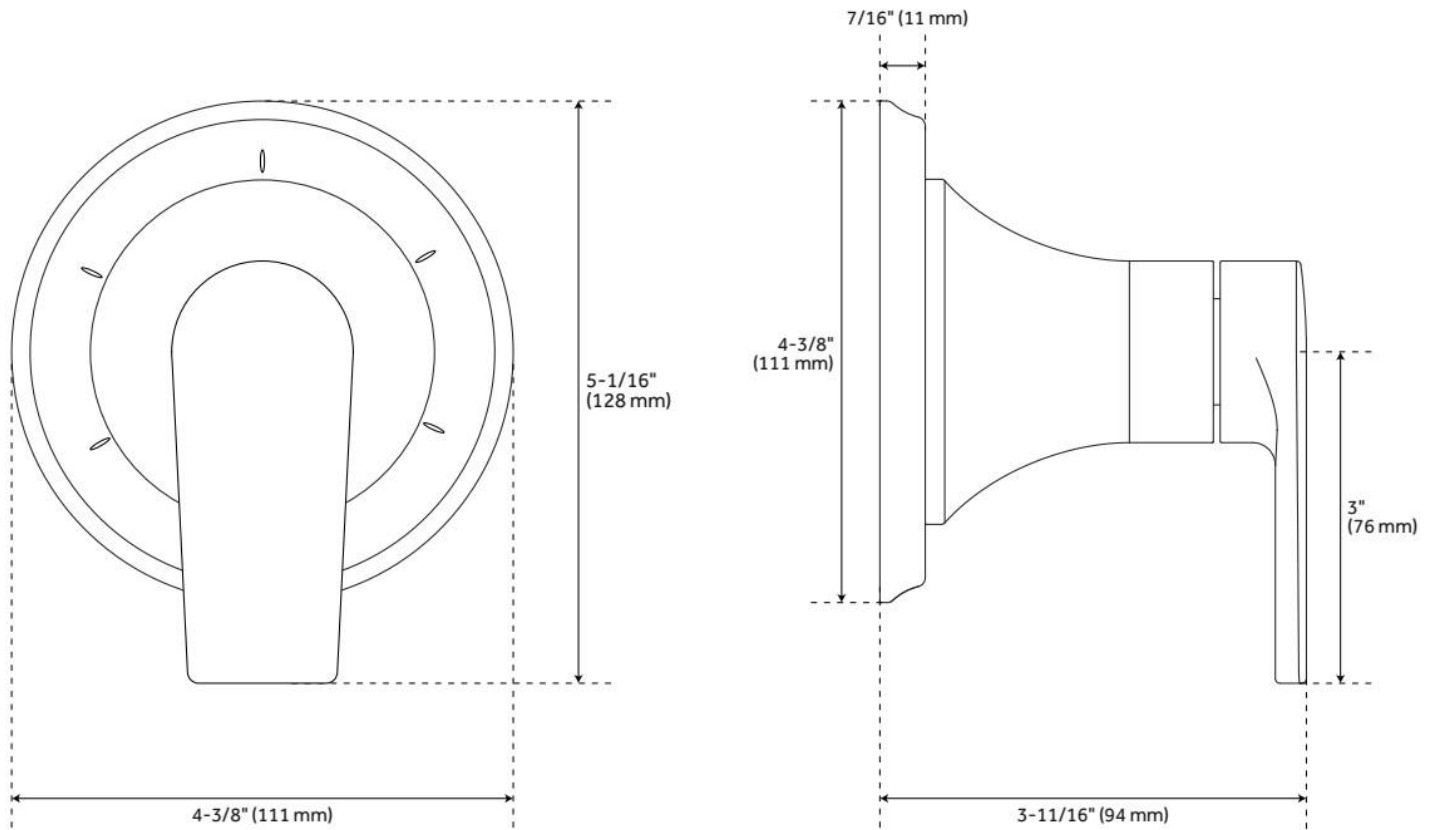
- All dimensions are ($\pm 1/2$ ").
- Metal Lever Handle.
- Not intended as a shut off valve.
- Six total settings allow for shared water flow between outlets, giving you the ability to use two functions at once.
- Wall thickness range: 1" - 1-3/4".
- Available Single-Function Diverter Valve Cartridge restricts water flow to one outlet at a time.
- Optional Rough-in Valve:
 - Brass valve body.
 - Ceramic cartridge.
 - Recommended valve installation depth 1-5/8" to 2-3/8".
 - Must be installed in accordance with provided installation instructions.

REVISED 10/15/2024

BERWYN IN-WALL SHOWER DIVERTER TRIM

SKU: 953652

Code: SHBW90052, SH6103, SHBW9005, SH6101



REVISED 10/15/2024

3-WAY IN-WALL DIVERTER ROUGH-IN VALVE - 3/4"

SKU: 446519
Code: SH6103

FEATURES

Material: Brass
Cartridge Type: Ceramic Disc



IAPMO, ASME A112.18.1/CSA B125.1, ASME A112.18.2/CSA B125.2, Massachusetts Accepted, LISTED ID: SH6103



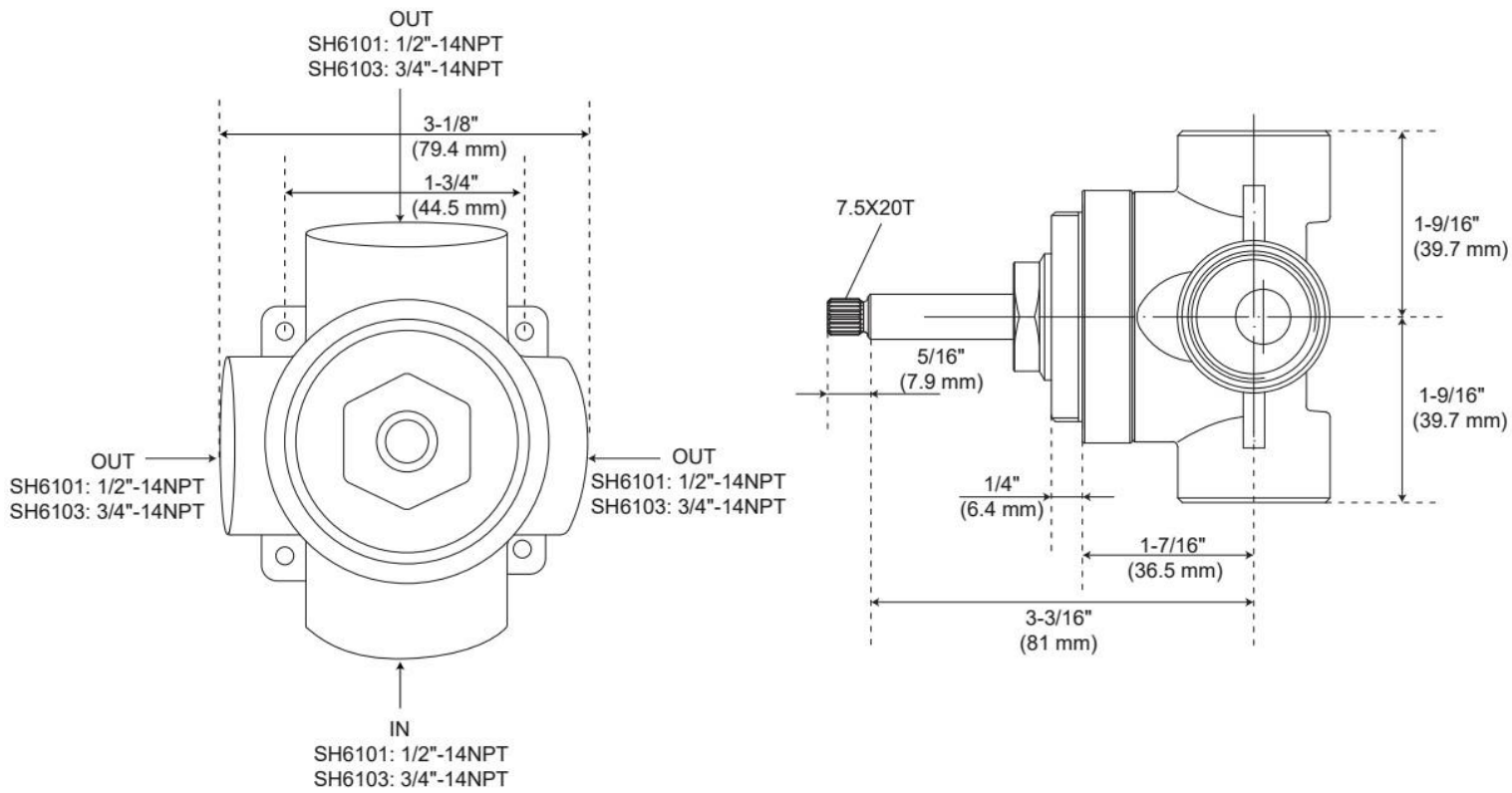
ADDITIONAL FEATURES

- Six total settings allow for shared water flow between outlets, giving you the ability to use two functions at once.
- Ceramic cartridge.
- Available Single-Function Diverter Valve Cartridge restricts water flow to one outlet at a time.
- Not intended as a shut off valve.
- For installations only requiring 2 outlets, the 3rd outlet may be looped into one of the existing pipes.
- Compatible with Beasley, Berwyn, Boca Raton, Drea, Edenton, Elita, Greyfield, Gunther, Hibiscus, Key West, Lentz, Lexia, Pendleton, Pinecrest, Provincetown, Rigi, Sefina, Vassor and Vilamonte Diverter Trims.

REVISED 10/14/2024

3-WAY IN-WALL DIVERTER ROUGH-IN VALVE - 3/4"

SKU: 446519
Code: SH6103



REVISED 10/14/2024