

# BERWYN PRESSURE BALANCE TUB AND SHOWER SYSTEM

SKU: 953654

Code: SH4001, SHTS72, SHRS820R3G, SHBW80102, SHRSA123



## FEATURES

- Material: Metal
- Shower Head Swivel: Yes
- Hand Shower Spray: Full
- Hand Shower Flow Rate: 1.8 gpm (6.8 L/min) @ 80 psi
- Connection Type: 1/2" MIP and SWT
- Cartridge Type: Ceramic Disc

ASME A112.18.1/CSA B125.1, WaterSense by IAPMO, LISTED ID: SH4001, SHTS72\*, SHRSA123\*, SHBW80102XX, SHRS820R3GXX



## ADDITIONAL FEATURES

- All dimensions are ( $\pm 1/2$ ").
- Single function Rainfall shower head.
- 12" shower arm.
- Tub spout diverter.
- 1/2" connection slip-fit tub spout.
- Tub Spot flow rate: 9.5 gpm (35.7L/min) @ 80 psi.
- Rough-in Valve:
  - Pressure balance valve with integral stops.
  - One-piece cartridge design for ease of maintenance.
  - Back-to-back capability.
  - Ceramic disc valve cartridge.
  - Cast bronze valve body.

REVISED 6/12/2024

# PRESSURE BALANCE TUB & SHOWER ROUGH-IN VALVE

SKU: 446520  
Code: SH4001



## FEATURES

Material: Bronze  
Flow Rate: 6.34 gpm (24.0 L/min) @ 80 psi  
Connection Type: 1/2" MIP and SWT  
Cartridge Type: Ceramic Disc

IAPMO, ASME A112.18.1/CSA B125.1, ASSE 1016 Type P, Massachusetts Accepted, LISTED ID: SH4001



## ADDITIONAL FEATURES

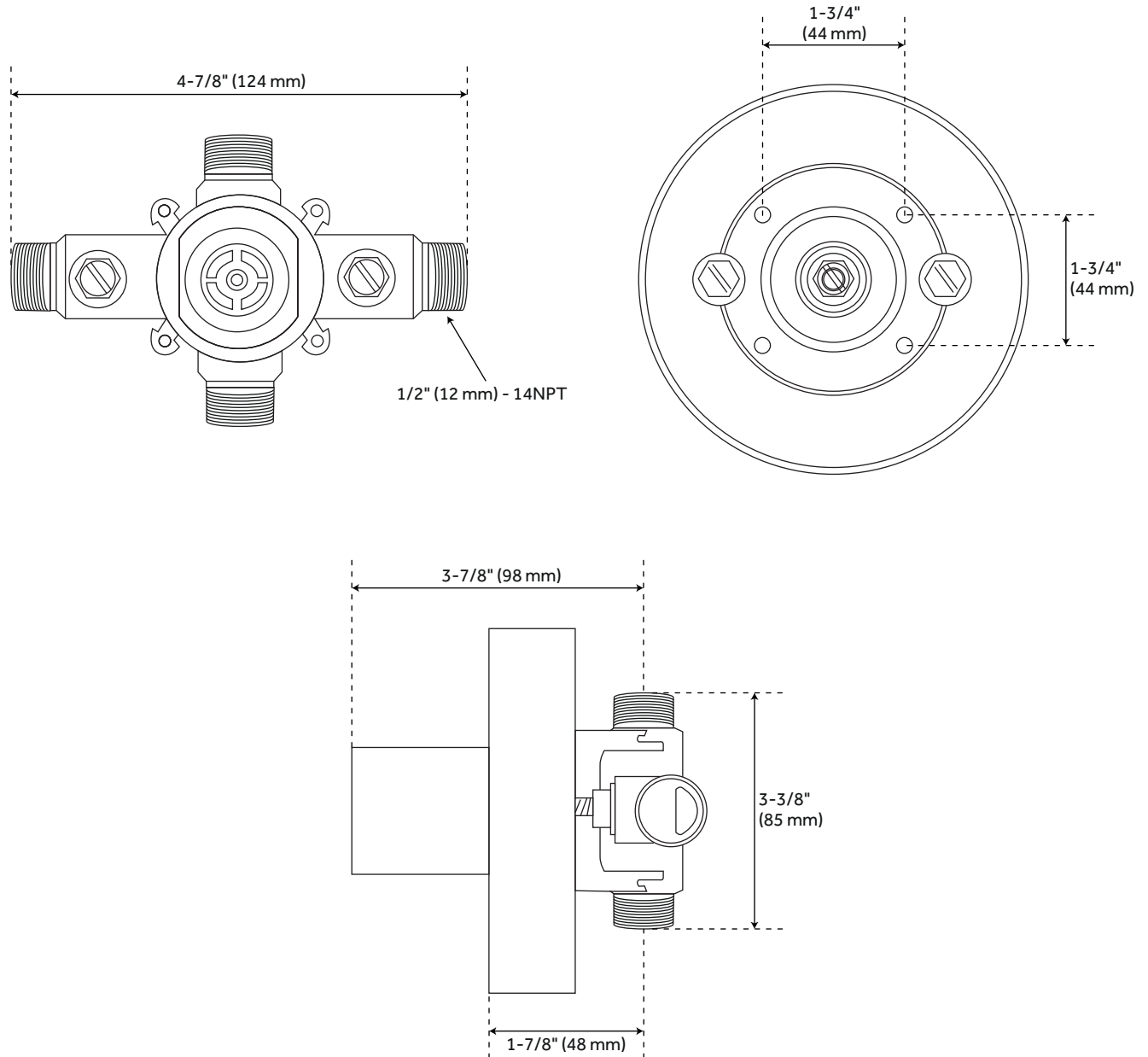
- Compatible with Beasley, Boca Raton, Carraway, Edenton, Greyfield, Hibiscus, Key West, Lentz, Lexia, Pendleton, Pinecrest, Provincetown, Rigi, St. Martin and Vilamonte Pressure Balance Trims.
- Pressure balance valve with integral stops.
- One-piece cartridge design for ease of maintenance.
- Back-to-back capability.
- Ceramic disc valve cartridge.
- Cast bronze valve body.
- Adjustable temperature limit stop.
- Quick remove plaster guard.
- Easy mounting brackets.
- Important Note: Pressure Balancing Valves, regardless of brand, are generally not recommended for use with tankless (on-demand) water heaters. Pressure Balancing Valves adjust to the lowest incoming water pressure. Because outgoing hot-water pressure of tankless water heaters can sometimes be significantly lower than household cold-water pressure, the result can be unsatisfactory water pressure in the shower.

REVISED 5/24/2024

# PRESSURE BALANCE TUB AND SHOWER ROUGH-IN VALVE

SKU: 446520

SH4001



All dimensions and specifications are nominal and may vary. Use actual products for accuracy in critical situations.

# WALL-MOUNT RAINFALL SHOWER ARM

SKU: 948955

Code: SHRSA123, SHRSA181, SH485514, SHRSA150

## FEATURES

Material: Stainless Steel

Connection Type: 1/2" NPT



ASME A112.18.1/CSA B125.1, Massachusetts Accepted, LISTED ID: SHRSA123\*, SHRSA181\*, SHRSA150\*



## ADDITIONAL FEATURES

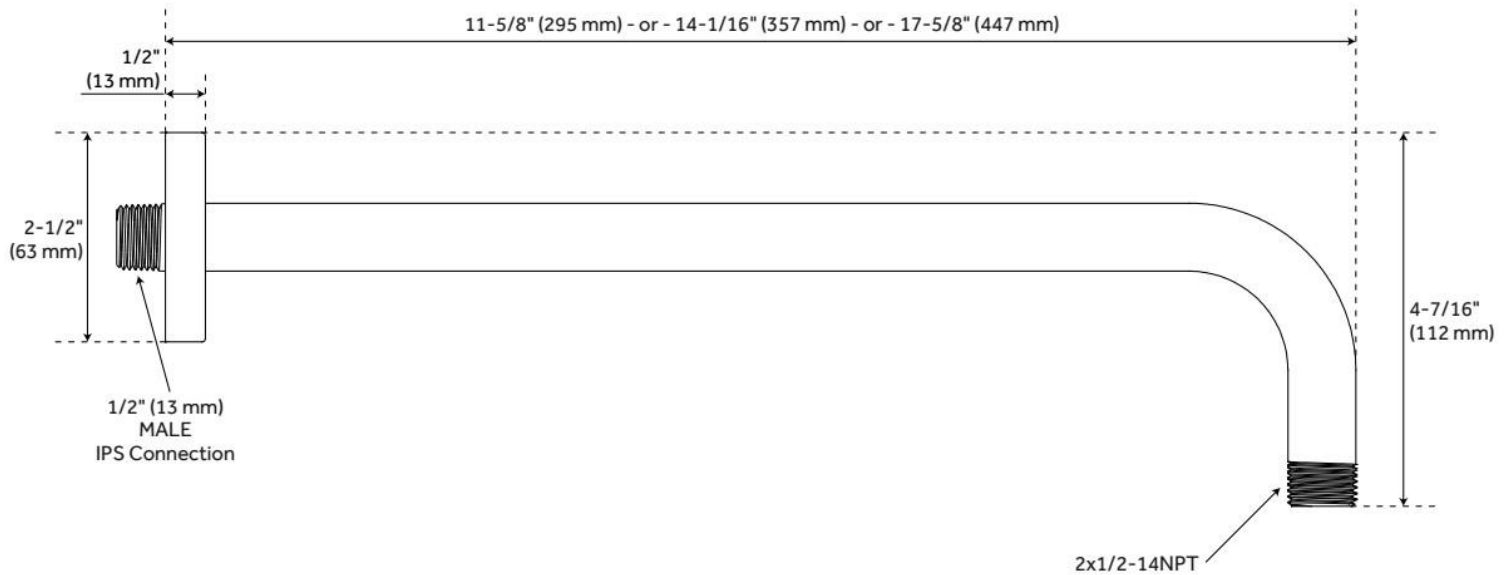
- All dimensions are ( $\pm 1/2$ ").
- Escutcheon included.

REVISED 6/10/2024

# WALL-MOUNT RAINFALL SHOWER ARM

SKU: 948955

Code: SHRSA123, SHRSA181, SH485514, SHRSA150



REVISED 6/10/2024

# LENTZ TUB SPOUT WITH DIVERTER

SKU: 951354  
Code: SHTS72



## FEATURES

Material: Metal  
Connection Type: 1/2" CTS Slip-Fit  
Faucet Centers: Single-Hole

IAPMO PMG, ASME A112.18.1/CSA B125.1, CEC Listed, Massachusetts Accepted, LISTED ID: SHTS72\*



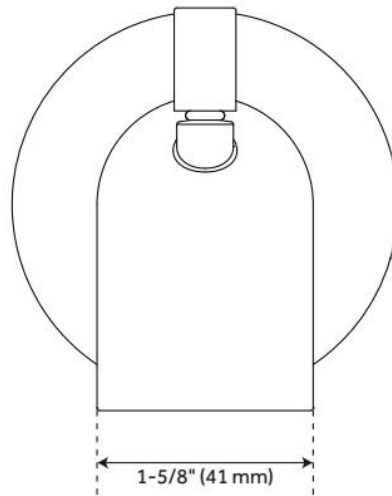
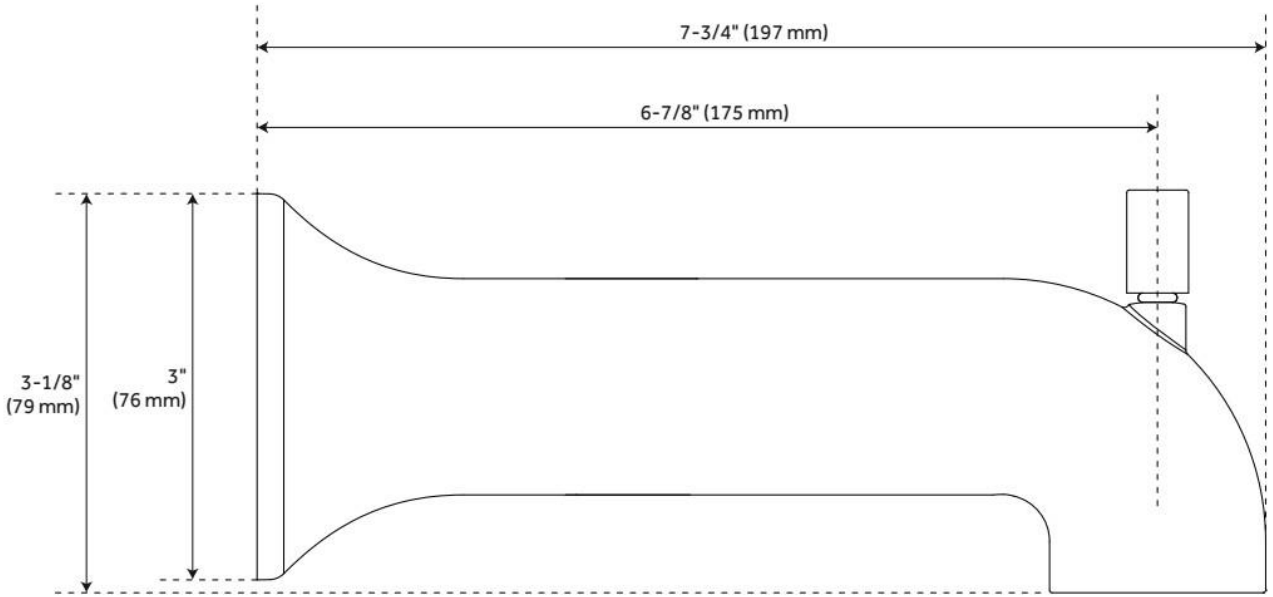
## ADDITIONAL FEATURES

- 1/2" Slip Fit Connection.

REVISED 5/28/2024

# LENTZ TUB SPOUT WITH DIVERTER

SKU: 951354  
Code: SHTS72



REVISED 5/28/2024

# BERWYN RAINFALL SHOWER HEAD

SKU: 953649

Code: SHRS820R2G, SHRS820R3G



## FEATURES

Material: Metal

Shower Head Swivel: Yes

ASME A112.18.1/CSA B125.1, CEC Listed, WaterSense by IAPMO, Massachusetts Accepted, LISTED ID: SHRS820R2G\*\*, SHRS820R3GXX



## ADDITIONAL FEATURES

- Single function shower head (full spray).
- Easy clean silicon nozzles.

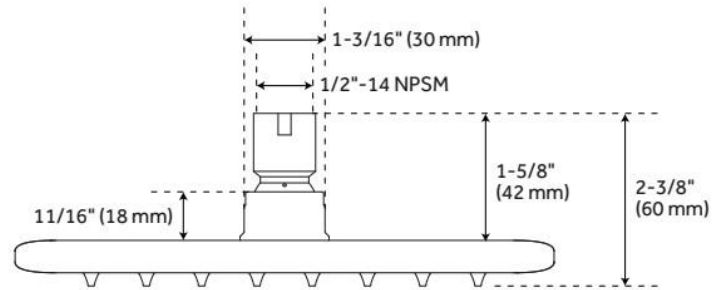
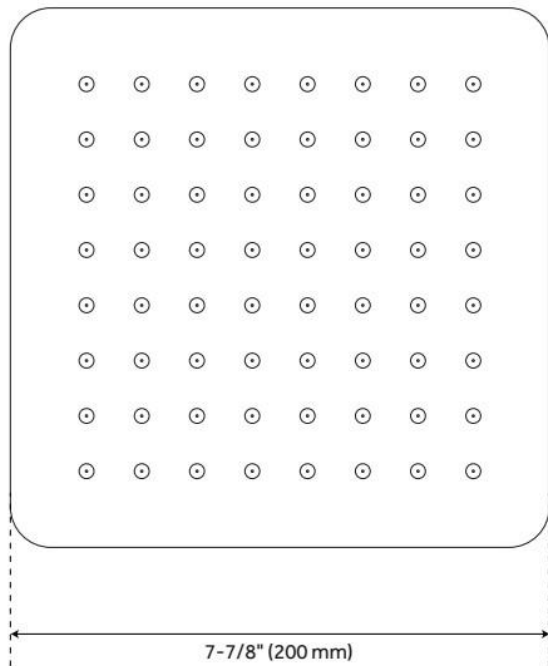
REVISED 6/5/2024



# BERWYN RAINFALL SHOWER HEAD

SKU: 953649

Code: SHRS820R2G, SHRS820R3G



REVISED 6/5/2024

# BERWYN PRESSURE BALANCE SHOWER VALVE TRIM

SKU: 953651

Code: SHBW80102, SH4001



## FEATURES

Material: Metal

Required for Installation: Rough-in valve: SH4001

ASME A112.18.1/CSA B125.1, ASSE 1016 Type P, WaterSense by IAPMO, Massachusetts Accepted, LISTED ID: SHBW80102XX, SHBW8010\*\*, aSH4001, SH4001



## ADDITIONAL FEATURES

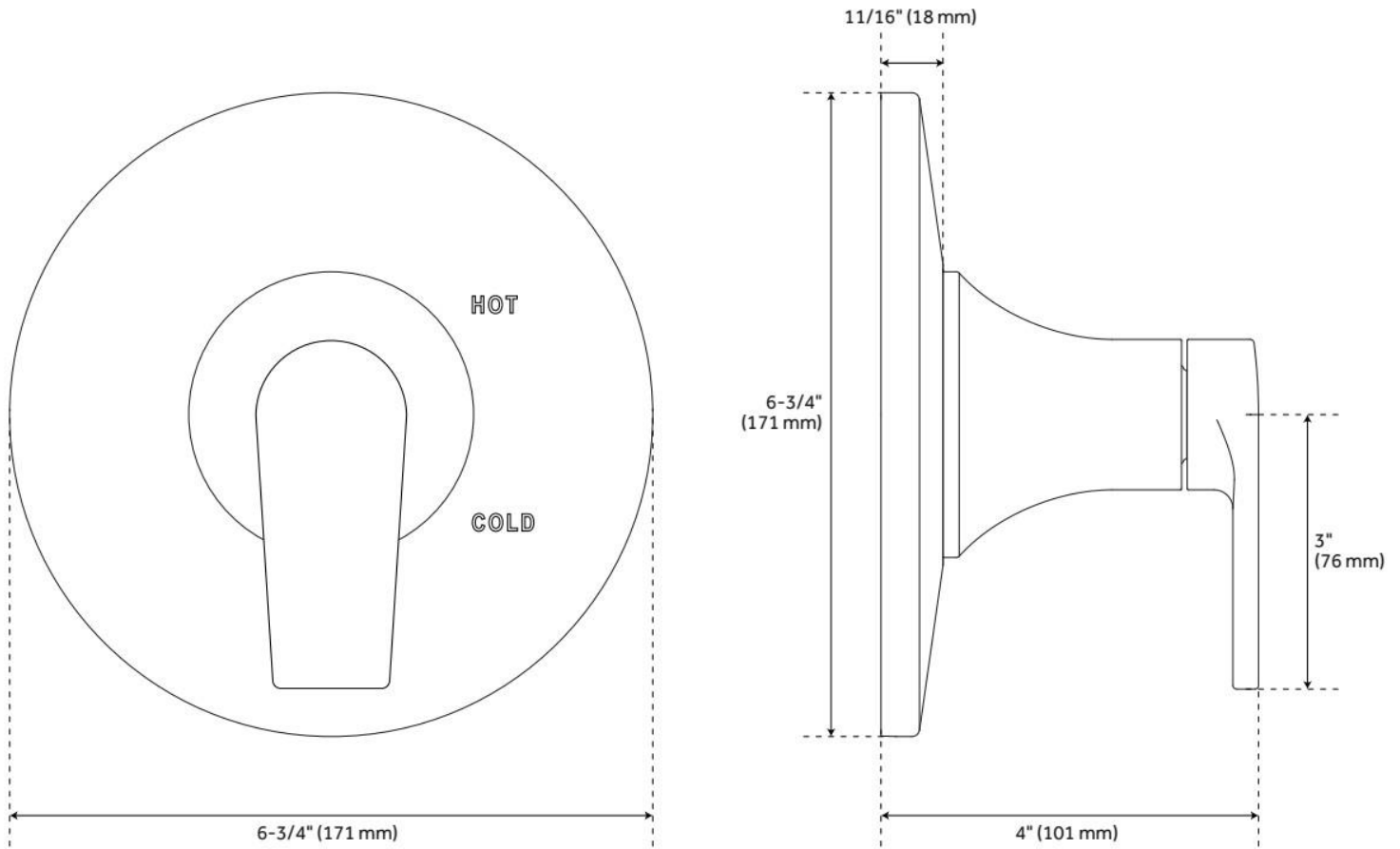
- Metal lever handle.
- Optional Rough-in Valve:
  - Pressure balance valve with integral stops.
  - One-piece cartridge design for ease of maintenance.
  - Back-to-back capability.
  - Ceramic disc valve cartridge.
  - Cast bronze valve body.
  - Adjustable temperature limit stop.
  - Quick remove plaster guard.
  - Easy mounting brackets.

REVISED 6/11/2024

# BERWYN PRESSURE BALANCE SHOWER VALVE TRIM

SKU: 953651

Code: SHBW80102, SH4001



REVISED 6/11/2024