

BERWYN PRESSURE BALANCE TUB AND SHOWER SYSTEM

SKU: 953654

Code: SH4001, SHTS72, SHRS820R3G, SHBW80102, SHRSA123



FEATURES

- Material: Metal
- Shower Head Swivel: Yes
- Hand Shower Spray: Full
- Hand Shower Flow Rate: 1.8 gpm (6.8 L/min) @ 80 psi
- Connection Type: 1/2" MIP and SWT
- Cartridge Type: Ceramic Disc

ASME A112.18.1/CSA B125.1, WaterSense by IAPMO, LISTED ID: SH4001, SHTS72*, SHRSA123*, SHBW80102XX, SHRS820R3GXX



ADDITIONAL FEATURES

- All dimensions are ($\pm 1/2$ ").
- Single function Rainfall shower head.
- 12" shower arm.
- Tub spout diverter.
- 1/2" connection slip-fit tub spout.
- Tub Spot flow rate: 9.5 gpm (35.7L/min) @ 80 psi.
- Rough-in Valve:
 - Pressure balance valve with integral stops.
 - One-piece cartridge design for ease of maintenance.
 - Back-to-back capability.
 - Ceramic disc valve cartridge.
 - Cast bronze valve body.

REVISED 6/12/2024

BERWYN PRESSURE BALANCE SHOWER VALVE TRIM

SKU: 953651

Code: SHBW80102, SH4001



FEATURES

Material: Metal

Required for Installation: Rough-in valve: SH4001

ASME A112.18.1/CSA B125.1, ASSE 1016 Type P, WaterSense by IAPMO, Massachusetts Accepted, LISTED ID: SHBW80102XX, SHBW8010**, aSH4001, SH4001



ADDITIONAL FEATURES

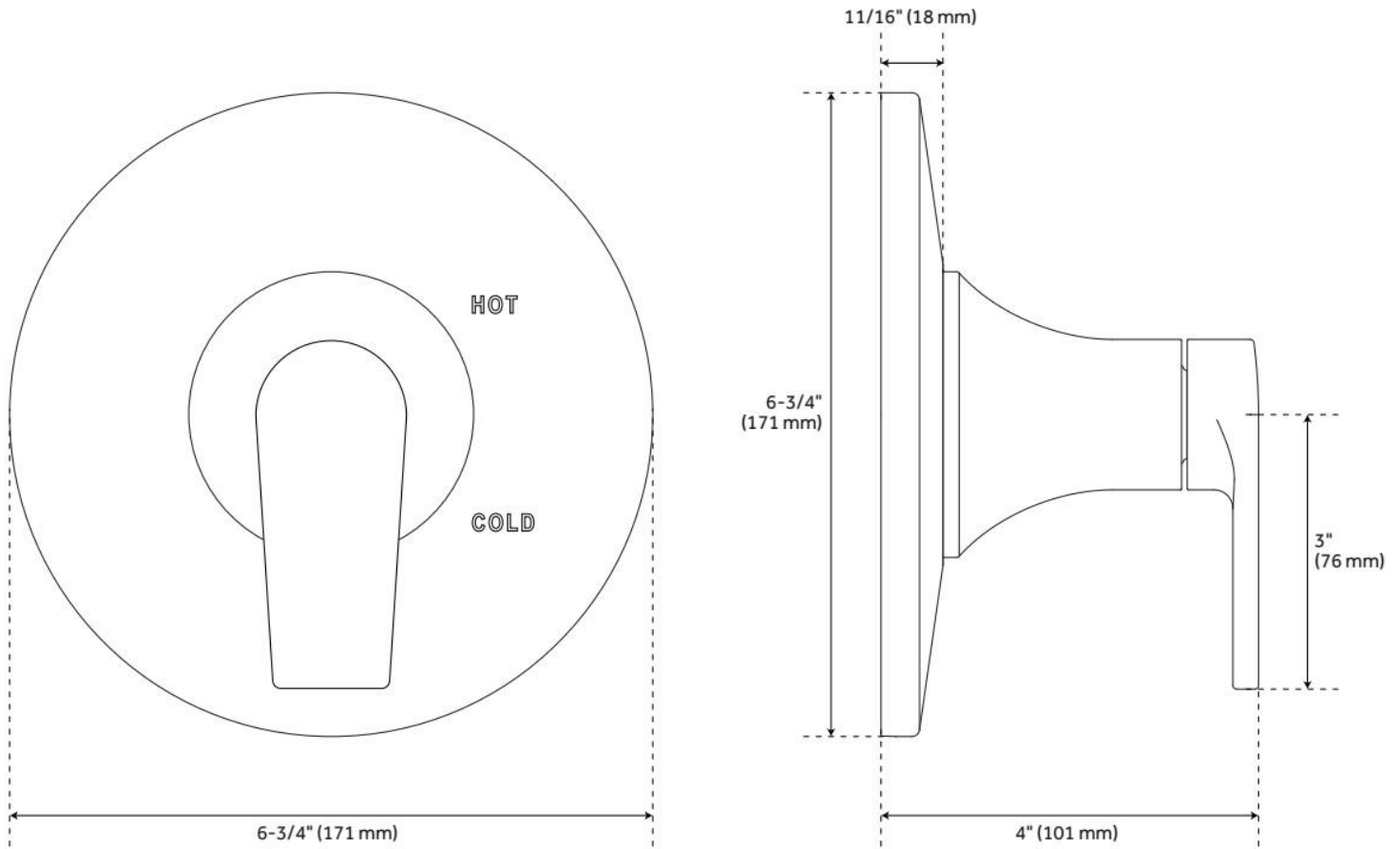
- Metal lever handle.
- Optional Rough-in Valve:
 - Pressure balance valve with integral stops.
 - One-piece cartridge design for ease of maintenance.
 - Back-to-back capability.
 - Ceramic disc valve cartridge.
 - Cast bronze valve body.
 - Adjustable temperature limit stop.
 - Quick remove plaster guard.
 - Easy mounting brackets.

REVISED 6/11/2024

BERWYN PRESSURE BALANCE SHOWER VALVE TRIM

SKU: 953651

Code: SHBW80102, SH4001



REVISED 6/11/2024

BERWYN RAINFALL SHOWER HEAD

SKU: 953649

Code: SHRS820R2G, SHRS820R3G



FEATURES

Material: Metal

Shower Head Swivel: Yes

ASME A112.18.1/CSA B125.1, CEC Listed, WaterSense by IAPMO, Massachusetts Accepted, LISTED ID: SHRS820R2G**, SHRS820R3GXX



ADDITIONAL FEATURES

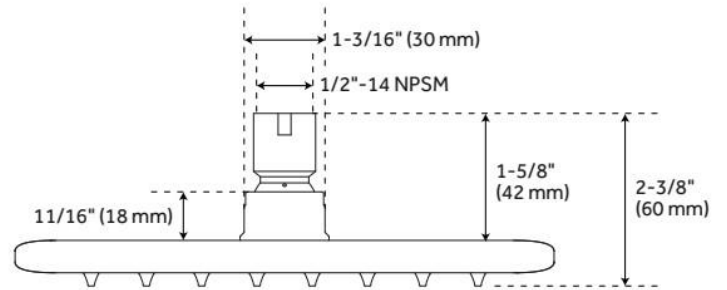
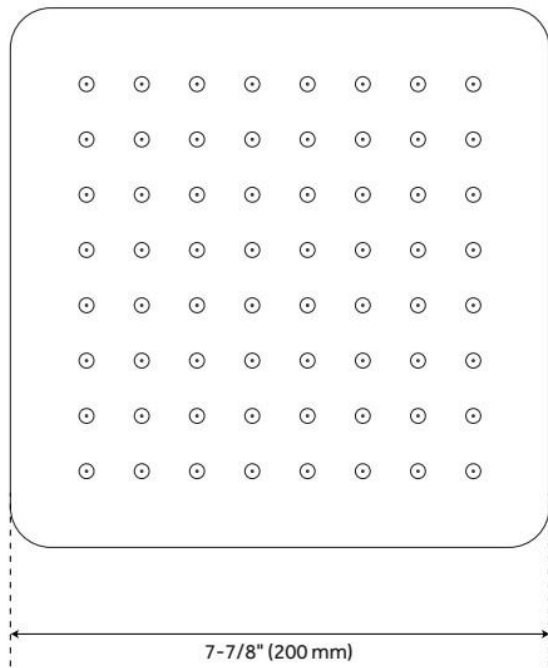
- Single function shower head (full spray).
- Easy clean silicon nozzles.

REVISED 6/5/2024

BERWYN RAINFALL SHOWER HEAD

SKU: 953649

Code: SHRS820R2G, SHRS820R3G



REVISED 6/5/2024

WALL-MOUNT RAINFALL SHOWER ARM

SKU: 948955

Code: SHRSA123, SHRSA181, SH485514, SHRSA150

FEATURES

Material: Stainless Steel

Connection Type: 1/2" NPT



ASME A112.18.1/CSA B125.1, Massachusetts Accepted, LISTED ID: SHRSA123*, SHRSA181*, SHRSA150*



ADDITIONAL FEATURES

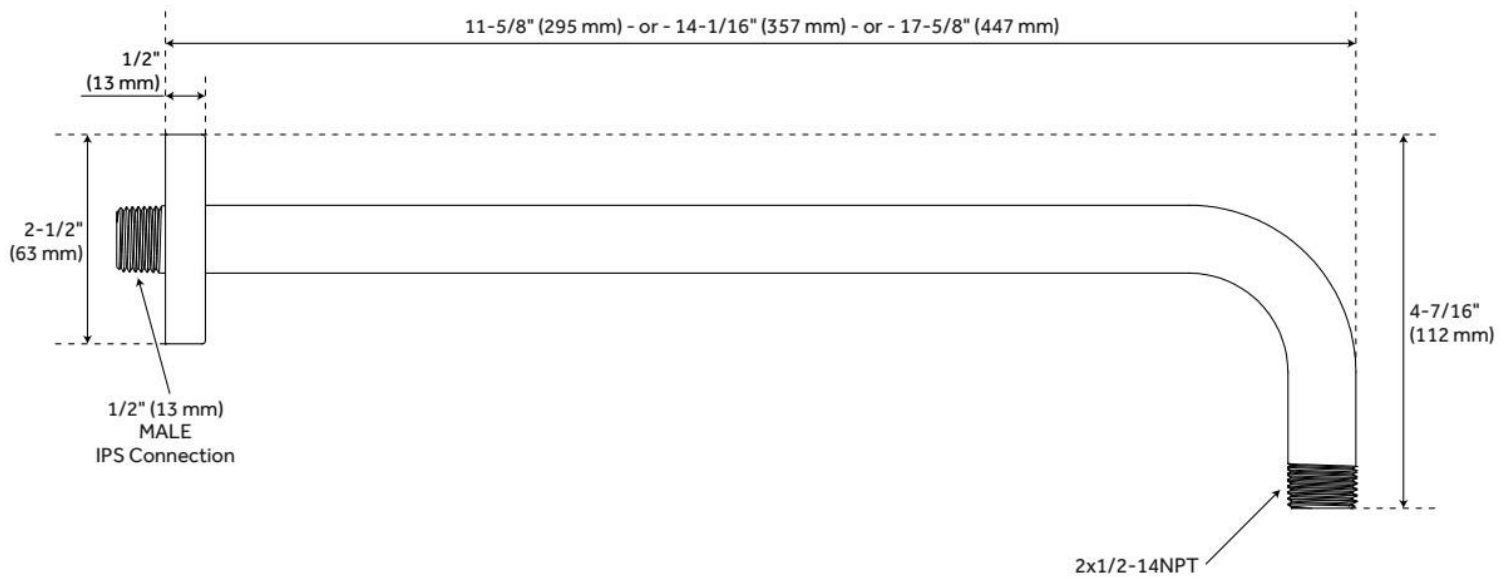
- All dimensions are ($\pm 1/2$ ").
- Escutcheon included.

REVISED 6/10/2024

WALL-MOUNT RAINFALL SHOWER ARM

SKU: 948955

Code: SHRSA123, SHRSA181, SH485514, SHRSA150



REVISED 6/10/2024

LENTZ TUB SPOUT WITH DIVERTER

SKU: 951354
Code: SHTS72



FEATURES

Material: Metal
Connection Type: 1/2" CTS Slip-Fit
Faucet Centers: Single-Hole

IAPMO PMG, ASME A112.18.1/CSA B125.1, CEC Listed, Massachusetts Accepted, LISTED ID: SHTS72*



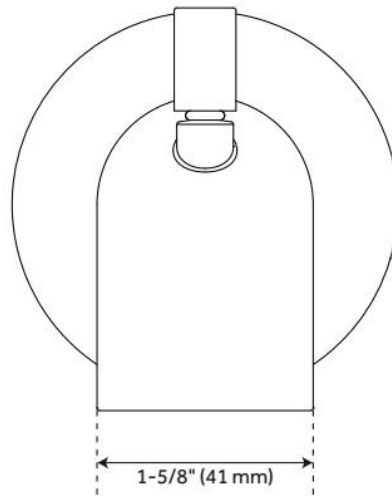
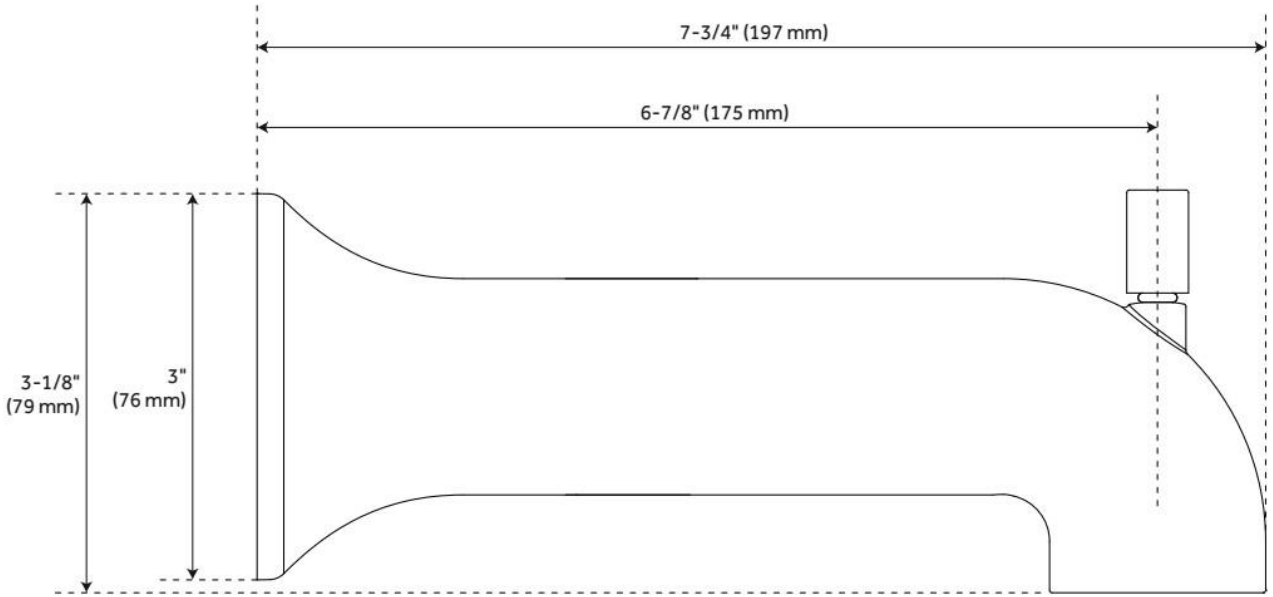
ADDITIONAL FEATURES

- 1/2" Slip Fit Connection.

REVISED 5/28/2024

LENTZ TUB SPOUT WITH DIVERTER

SKU: 951354
Code: SHTS72



REVISED 5/28/2024

PRESSURE BALANCE TUB & SHOWER ROUGH-IN VALVE

SKU: 446520
Code: SH4001



FEATURES

Material: Brass
Flow Rate: 6.34 gpm (24.0 L/min) @ 80 psi
Connection Type: 1/2" MIP and SWT
Cartridge Type: Ceramic Disc

IAPMO, ASME A112.18.1/CSA B125.1, ASSE 1016 Type P, Massachusetts Accepted, LISTED ID: SH4001



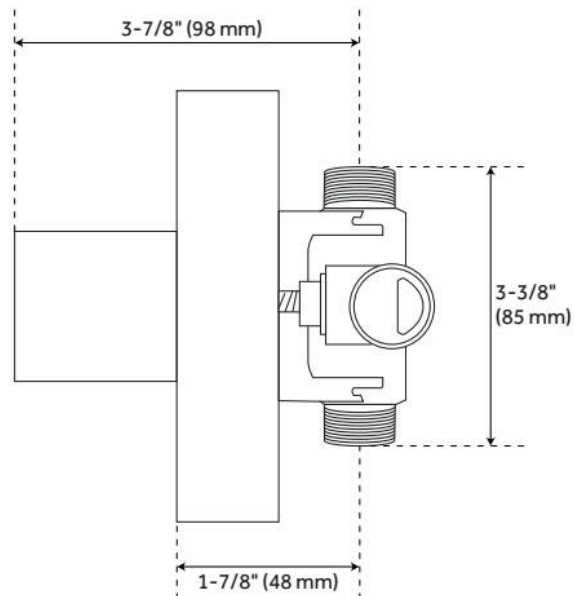
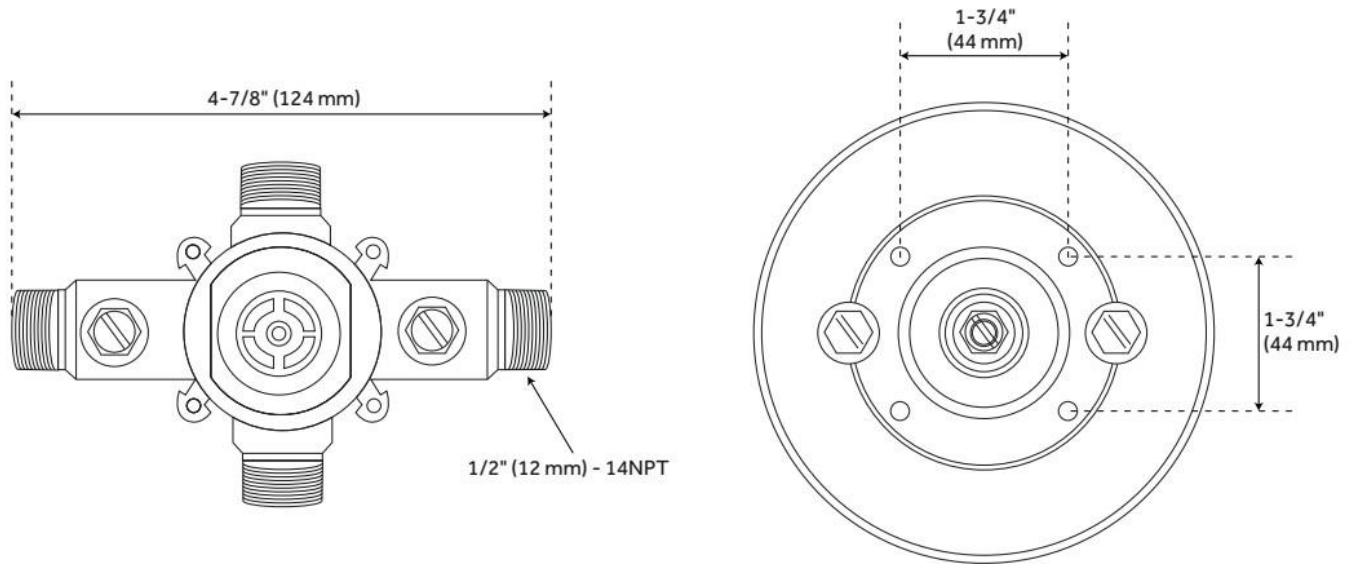
ADDITIONAL FEATURES

- Pressure balance valve with integral stops.
- One-piece ceramic cartridge design for ease of maintenance.
- Back-to-back capability
- Adjustable temperature limit stop.
- Quick remove plaster guard and easy mounting brackets.

REVISED 11/27/2024

PRESSURE BALANCE TUB & SHOWER ROUGH-IN VALVE

SKU: 446520
Code: SH4001



REVISED 11/27/2024