

33" EASLEY FIRECLAY FARMHOUSE SINK - GLOSSY WHITE

SKU: 483517
Code: SH210000



FEATURES

Length: 33"
Width: 20-1/8"
Height: 10-3/8"
Number of Basins: 1
Sink Installation: Undermount
Product Color: White
Basin Length: 31-1/8"
Basin Width: 18-3/8"
Basin Depth: 9-3/8"
Rim Thickness: 7/8"
Fits Drain Hole Size: 3-1/2"
Drain Included: No
Basin Configuration: Single Bowl
Apron Design: Ribbed
Recommended Accessory: 7633365 -or- 7633397 -or- 7633420 -
or- 2937957 -or- 7633417 -or- 2937963 -or- 7633385 -or-
2937972 -or- 7633361 -or- 7633411 -or- 2937955

ASME A112.19.2/CSA B45.1



REVISED 1/10/2023

33" EASLEY FIRECLAY FARMHOUSE SINK - GLOSSY WHITE

SKU: 483517
Code: SH210000



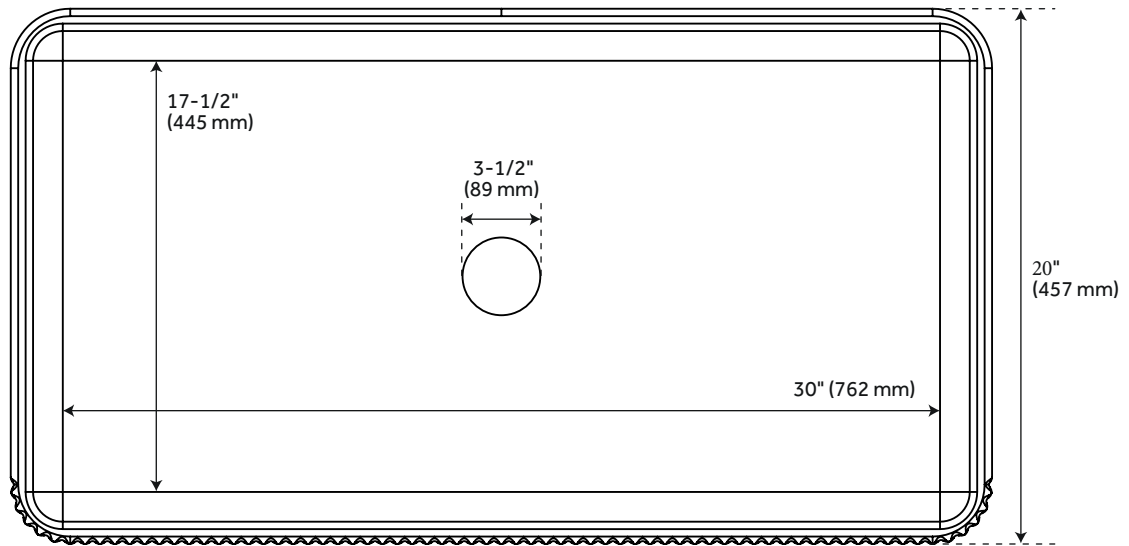
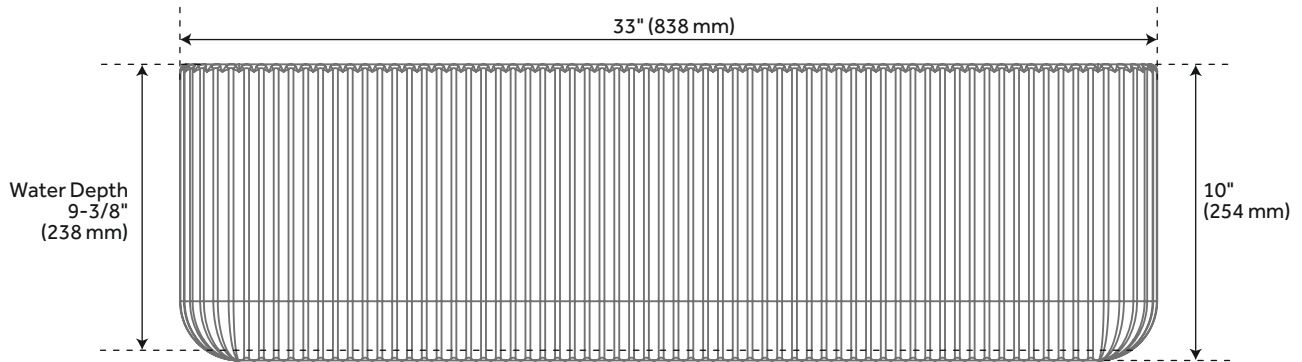
ADDITIONAL FEATURES

- Made of solid, heavy-duty fireclay.
- Smooth, ripple-resistant surface.
- If purchasing drain separately, it must be able to accommodate a sink drain thickness of 1".
- All sink dimensions are ($\pm 1/2$ ").

REVISED 1/10/2023

33" EASLEY FIRECLAY FARMHOUSE SINK - GLOSSY WHITE

SKU: 953738



All dimensions and specifications are nominal and may vary. Use actual products for accuracy in critical situations.