

GREYFIELD SINGLE-HOLE PULL-DOWN BAR FAUCET

SKU: 953746

Code: SHXCGF137, SH485504



FEATURES

Material: Metal construction for strength and durability

Installation Type: Single-Hole

Connection Type: Compression

Flow Rate: 1.8 gpm (6.8 L/min) @ 60 psi

Spray Type: Stream

Cartridge Type: Ceramic Disc

Swivel Spout: Yes

Optional Accessory: Optional deck plate: OBPF180699*

ASME A112.18.1/CSA B125.1, NSF/ANSI 372, NSF/ANSI 61, NSF/ANSI/CAN 61, NSF/ANSI/CAN 61-9:Q≤1, ICC/ANSI A117.1, CEC Listed, Massachusetts Accepted, LISTED ID: SHXCGF137*



ADDITIONAL FEATURES

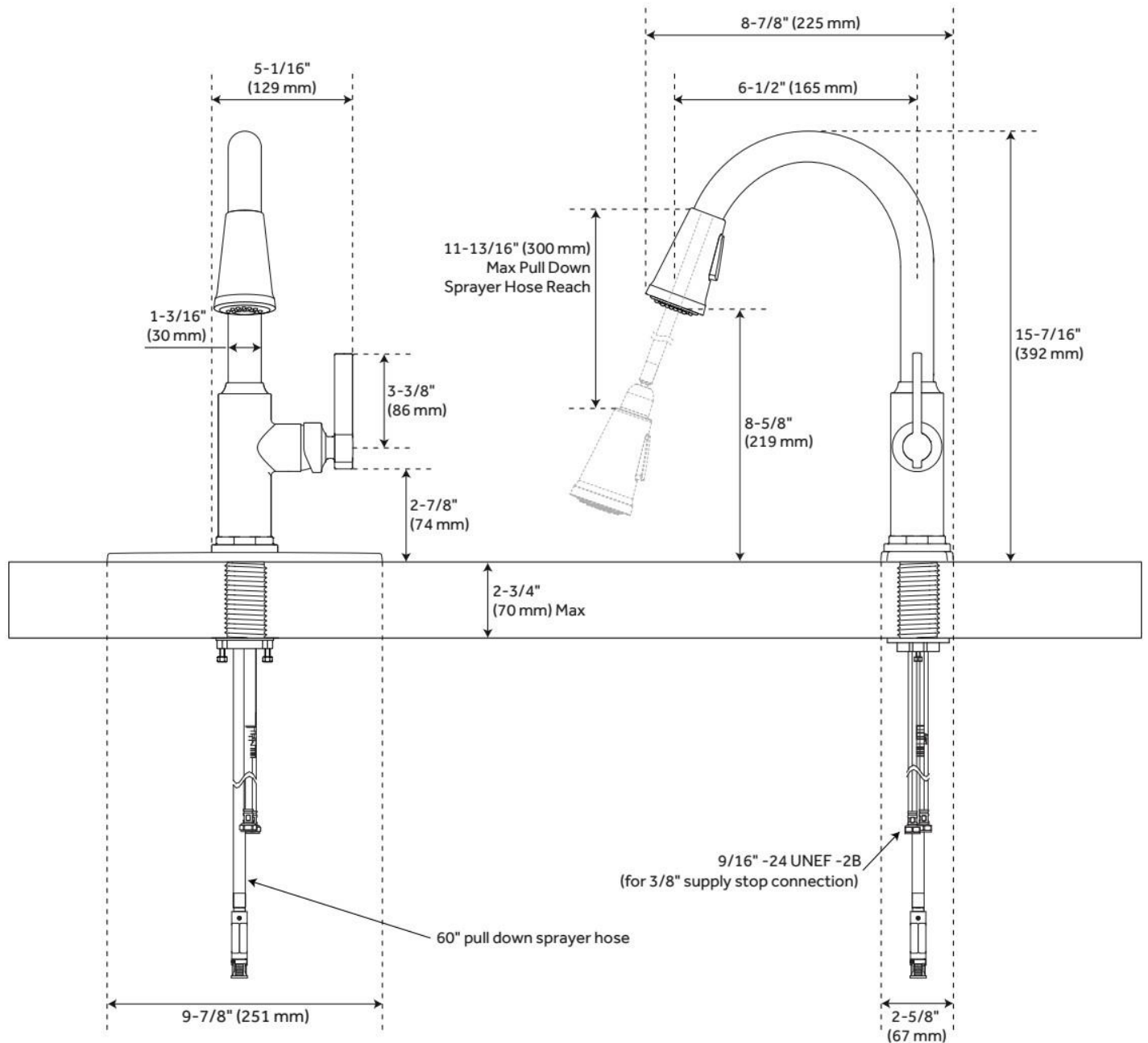
- Made with a ceramic disc cartridge for lasting durability.
- Includes a 60" pull-down sprayer hose that has a reach of 11-13/16" once installed.
- 2 function sprayhead: stream and full spray.

REVISED 5/21/2024

GREYFIELD SINGLE-HOLE PULL-DOWN BAR FAUCET

SKU: 953746

Code: SHXCGF137, SH485504



REVISED 5/21/2024