

LEXIA SINGLE-HOLE BATHROOM FAUCET WITH DECK PLATE

SKU: 953760-DP

Code: SHWSCLE107, SHLZ4DP, SH488923



FEATURES

Material: Metal construction for strength and durability

Installation Type: Single-Hole

Flow Rate: 1.2 gpm (4.5 L/min) @ 60 psi

Cartridge Type: Ceramic Disc

Swivel Spout: No

Drain Type: Metal push-pop with overflow

ASME A112.18.1/CSA B125.1, NSF/ANSI 372, NSF/ANSI 61, NSF/ANSI/CAN 61, NSF/ANSI/CAN 61-9:Q≤1, CEC Listed, CALGreen, WaterSense by IAPMO, Massachusetts Accepted, LISTED ID: SHLZ4DP*, SHWSCLE107*



ADDITIONAL FEATURES

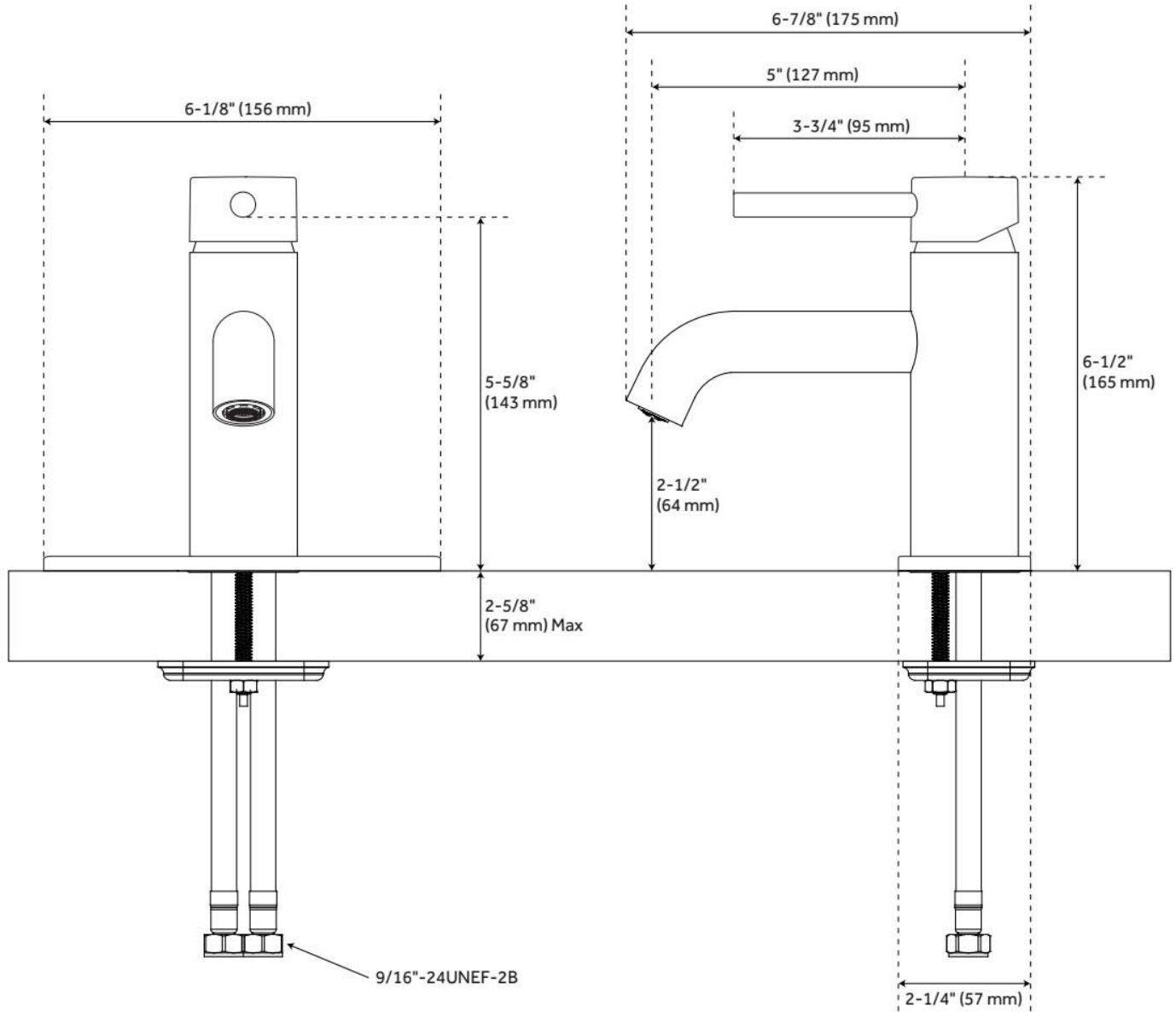
- Included drain is compatible with sinks that have an overflow hole.
- Deck plate can be used to hide the unused mounting holes.

REVISED 5/21/2024

LEXIA SINGLE-HOLE BATHROOM FAUCET WITH DECK PLATE

SKU: 953760-DP

Code: SHWSCLE107, SHLZ4DP, SH488923

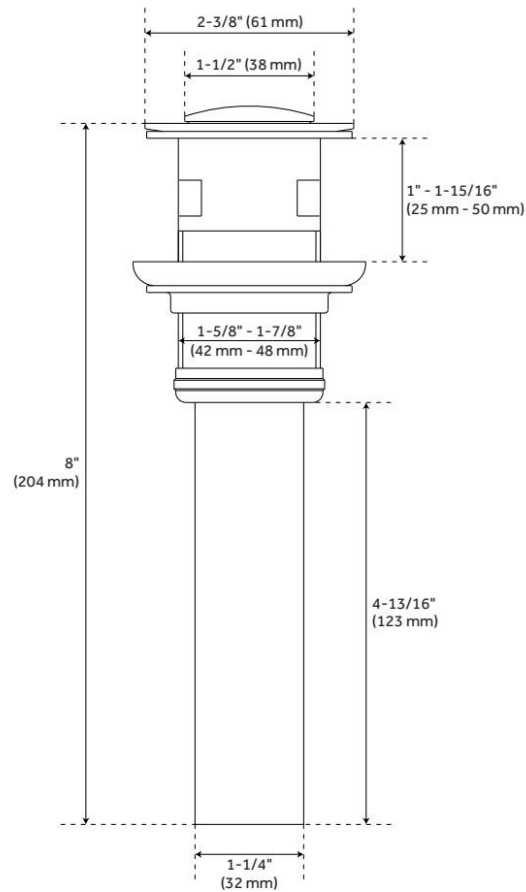


REVISED 5/21/2024

LEXIA SINGLE-HOLE BATHROOM FAUCET WITH DECK PLATE

SKU: 953760-DP

Code: SHWSCLE107, SHLZ4DP, SH488923



REVISED 5/21/2024