

# LEXIA SINGLE-HOLE BATHROOM FAUCET

SKU: 953760

Code: SHWSCLE107, SH488889, SHLZ4DP, SH488923



## FEATURES

Material: Metal construction for strength and durability

Faucet Centers: Single-Hole

Installation Type: Single-Hole

Flow Rate: 1.2 gpm (4.5 L/min) @ 60 psi

Cartridge Type: Ceramic Disc

Swivel Spout: No

Drain Type: Metal push-pop with overflow

Optional Accessory: Deck plate: SHLZ4DP\*

ASME A112.18.1/CSA B125.1, NSF/ANSI 372, NSF/ANSI 61, NSF/ANSI/CAN 61, NSF/ANSI/CAN 61-9:Q≤1, CEC Listed, CALGreen, WaterSense by IAPMO, Massachusetts Accepted, LISTED ID: SHWSCLE107\*, SHLZ4DP\*



## ADDITIONAL FEATURES

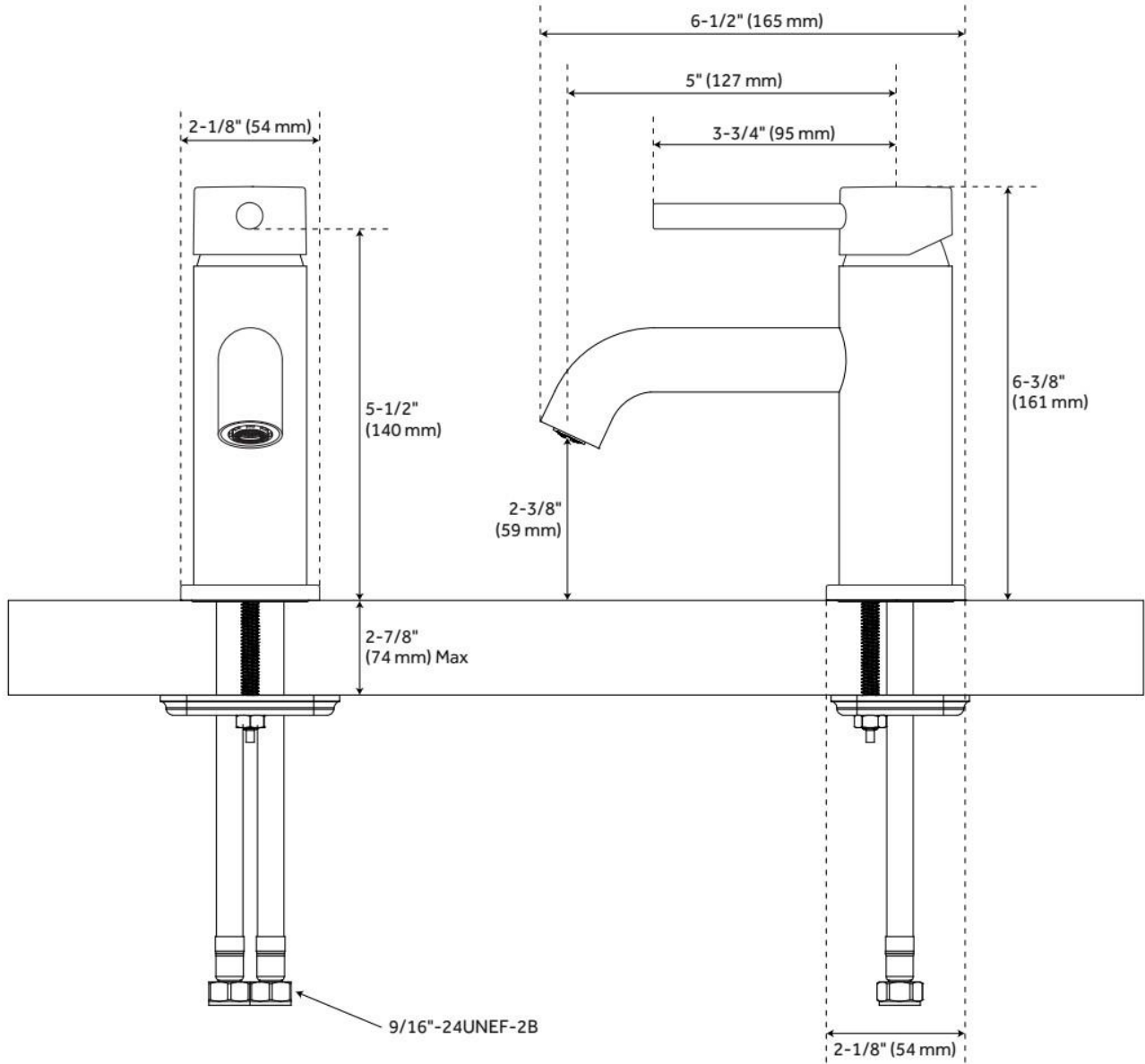
- Included drain is compatible with sinks that have an overflow hole.

REVISED 6/5/2025

# LEXIA SINGLE-HOLE BATHROOM FAUCET

SKU: 953760

Code: SHWSCLE107, SH488889, SHLZ4DP, SH488923

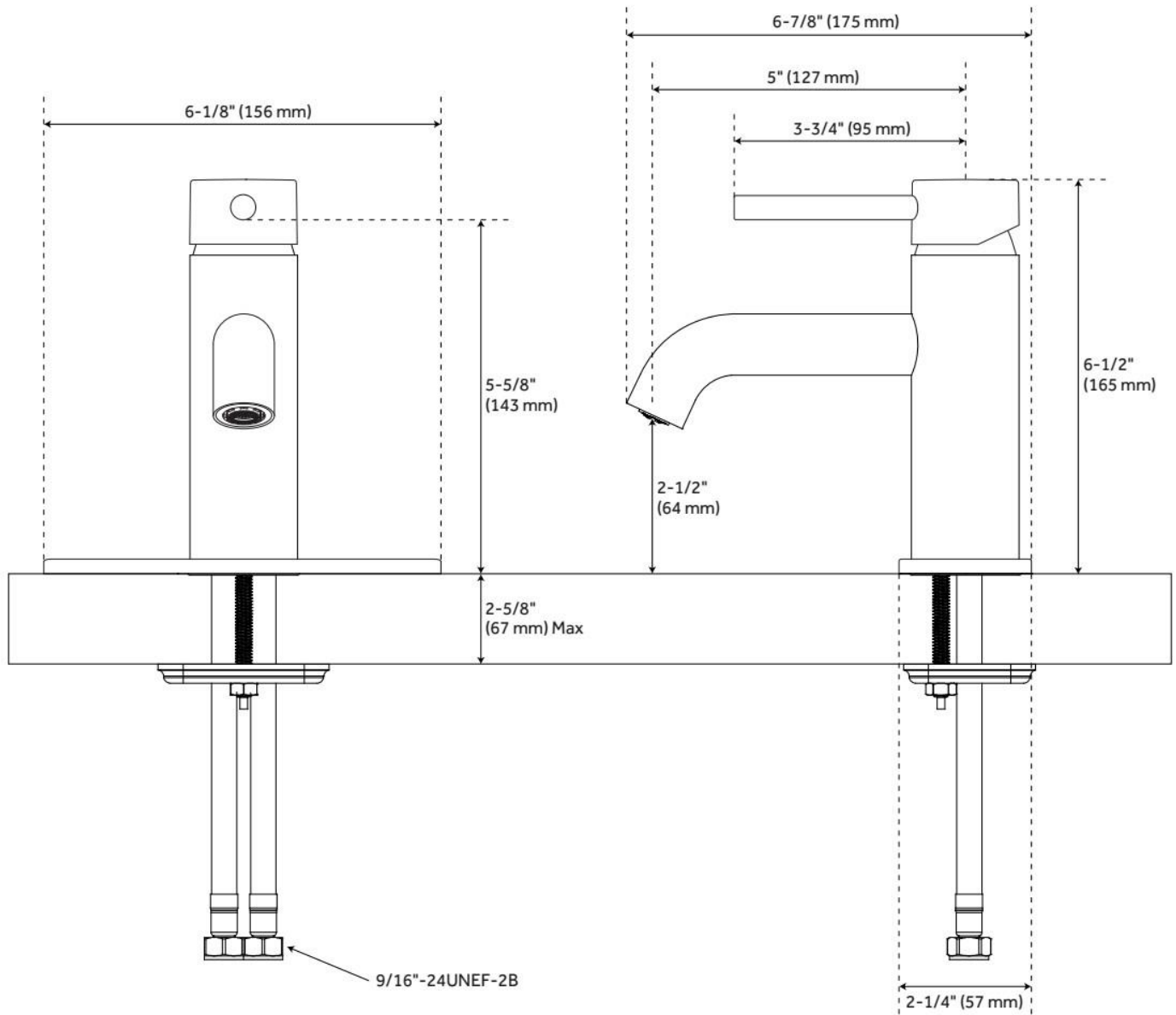


REVISED 6/5/2025

# LEXIA SINGLE-HOLE BATHROOM FAUCET

SKU: 953760

Code: SHWSCLE107, SH488889, SHLZ4DP, SH488923

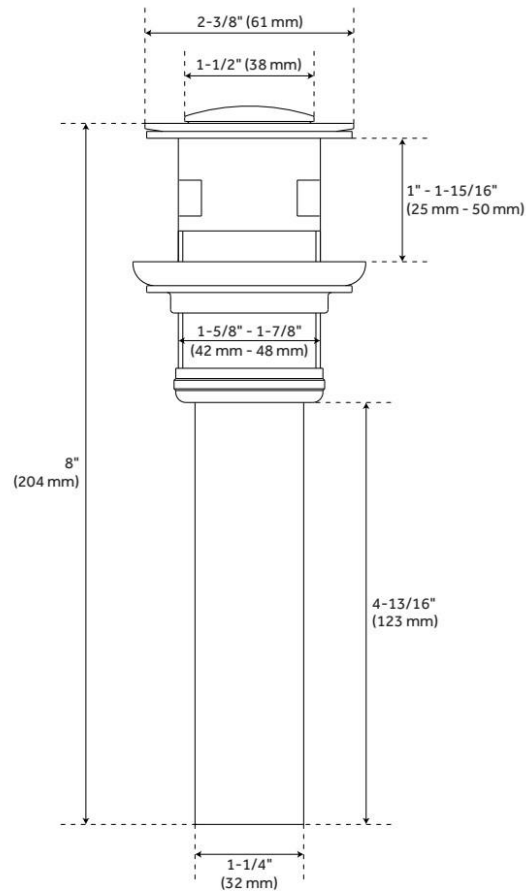


REVISED 6/5/2025

# LEXIA SINGLE-HOLE BATHROOM FAUCET

SKU: 953760

Code: SHWSCLE107, SH488889, SHLZ4DP, SH488923



REVISED 6/5/2025