

LEXIA SINGLE-HOLE VESSEL FAUCET

SKU: 953761

Code: SHWSCLE107L, SH488890



FEATURES

Material: Metal construction for strength and durability

Installation Type: Vessel

Flow Rate: 1.2 gpm (4.5 L/min) @ 60 psi

Cartridge Type: Ceramic Disc

Swivel Spout: No

Drain Type: Metal push-pop with overflow

ASME A112.18.1/CSA B125.1, NSF/ANSI 372, NSF/ANSI 61, NSF/ANSI/CAN 61, NSF/ANSI/CAN 61-9:Q≤1, ICC/ANSI A117.1, CEC Listed, CALGreen, WaterSense by IAPMO, Massachusetts Accepted, LISTED ID: SHWSCLE107L*



ADDITIONAL FEATURES

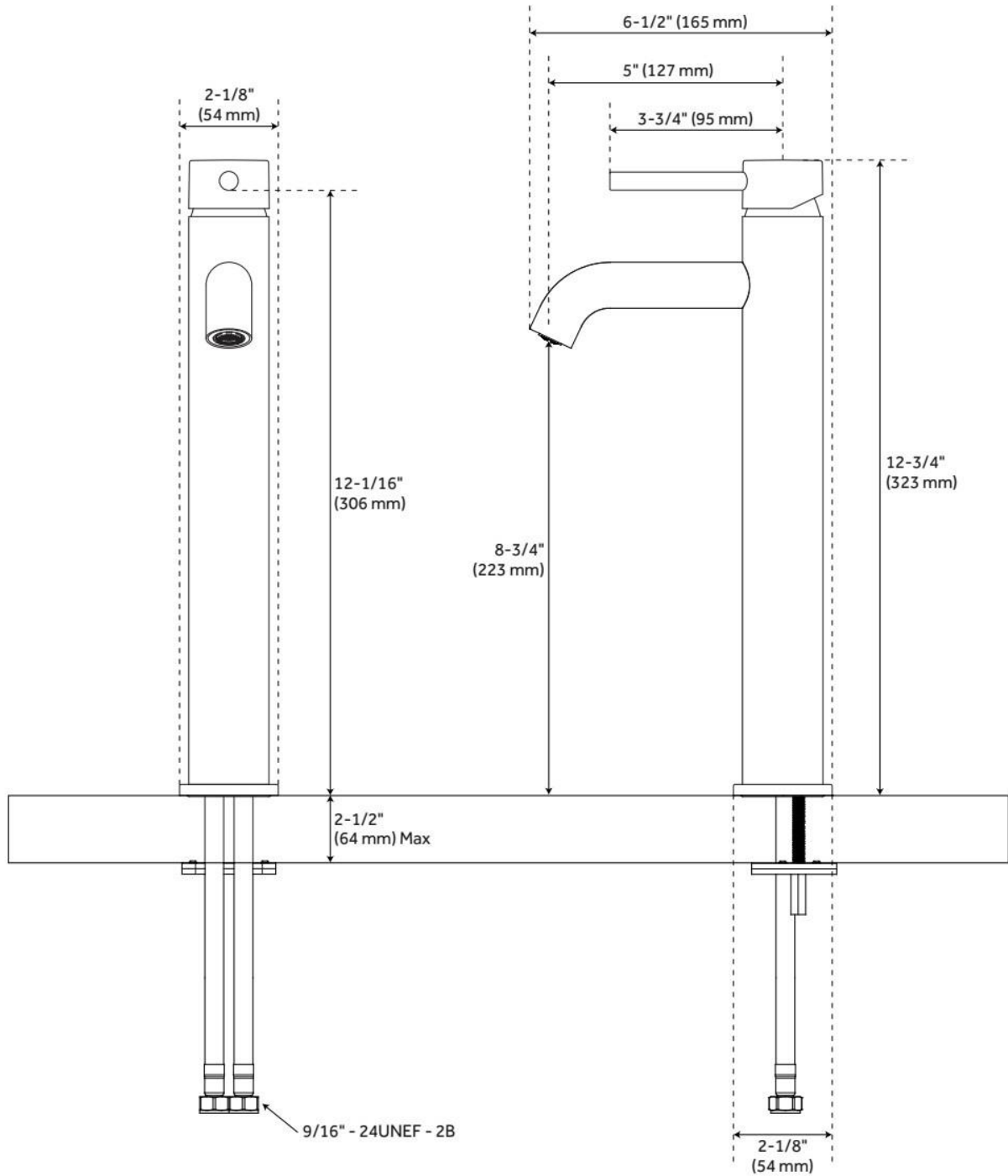
- Included drain is compatible with sinks that have an overflow hole.
- When purchasing a vessel sink faucet, ensure the height to spout and spout reach will accommodate your sink.

REVISED 5/21/2024

LEXIA SINGLE-HOLE VESSEL FAUCET

SKU: 953761

Code: SHWSCLE107L, SH488890



REVISED 5/21/2024

