

# LEXIA WALL-MOUNT BATHROOM FAUCET

SKU: 953764

Code: SHWSCLE207, SH488893



## FEATURES

Material: Metal construction for strength and durability

Installation Type: Wall Mount

Flow Rate: 1.2 gpm (4.5 L/min) @ 60 psi

Cartridge Type: Ceramic Disc

Swivel Spout: No

Drain Type: Metal push-pop with overflow

ASME A112.18.1/CSA B125.1, NSF/ANSI 372, NSF/ANSI 61, NSF/ANSI/CAN 61, NSF/ANSI/CAN 61-9:Q≤1, ICC/ANSI A117.1, CEC Listed, CALGreen, WaterSense by IAPMO, Massachusetts Accepted, LISTED ID: SHWSCLE207\*



## ADDITIONAL FEATURES

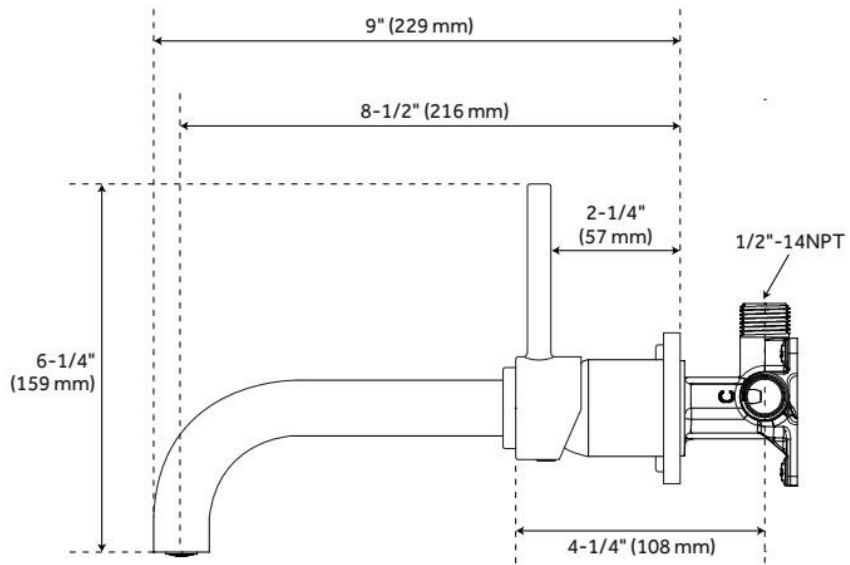
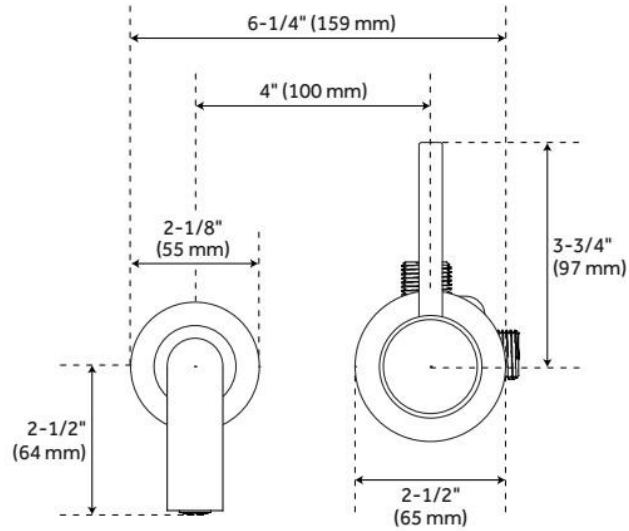
- For above-counter and wall-mount bathroom installations.
- Maximum wall thickness: 2-5/8".
- Push-activated brass pop-up over flow drain assembly included.

REVISED 5/21/2024

# LEXIA WALL-MOUNT BATHROOM FAUCET

SKU: 953764

Code: SHWSCLE207, SH488893



REVISED 5/21/2024

