

LEXIA FREESTANDING TUB FAUCET WITH HAND SHOWER

SKU: 953765

Code: SSHLEFS2000G, SHFSR2000, SH488887, SH488924, SH488925



FEATURES

Material: Metal construction for strength and durability

Installation Type: Freestanding

Flow Rate: 10.5 gpm (39.7 L/min) @ 80 psi

Hand Shower Flow Rate: 1.8 gpm (6.8 L/min) @ 80 psi

Spray Type: Full

Cartridge Type: Ceramic Disc

Swivel Spout: No

Required for Installation: Rough-in valve: SHFSR2000 or SHFSR2000WS

ASME A112.18.1/CSA B125.1, ICC/ANSI A117.1, CEC Listed, WaterSense by IAPMO, Massachusetts Accepted, LISTED ID: SHLEFS2000G*, SHFSR2000, SHFSR2000WS



ADDITIONAL FEATURES

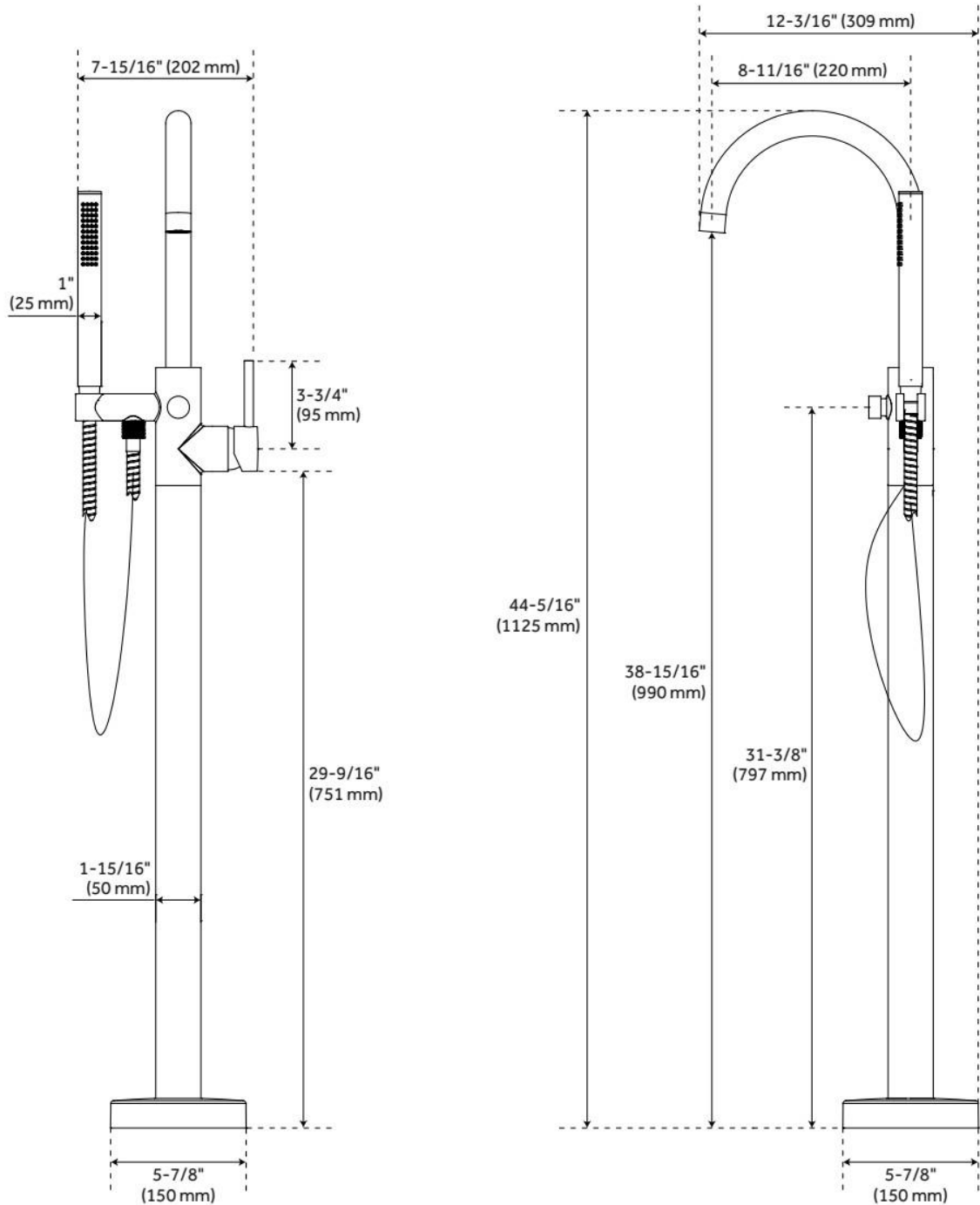
- Spout max. flow rate: 10.5 gpm (39.7 L/min) @ 80 psi.
- Single function hand shower (full spray).
- Integral diverter to hand shower.
- Handshower includes factory installed backflow prevention check valve.
- Optional rough-in valve is required for use.

REVISED 5/21/2024

LEXIA FREESTANDING TUB FAUCET WITH HAND SHOWER

SKU: 953765

Code: SHFSR2000, SHFSR2000WS, SHLEFS2000G, SHLEFS2000GPB, SHLEFS2000GPN, SHLEFS2000G, SH488887, SH488924, SH488925



REVISED 5/21/2024

FREESTANDING TUB FAUCET ROUGH-IN VALVE WITH STOPS

SKU: 448006
Code: SHFSR2000WS

FEATURES

Material: Metal construction for strength and durability



ASME A112.18.1/CSA B125.1, Massachusetts Accepted, LISTED ID: SHFSR2000WS



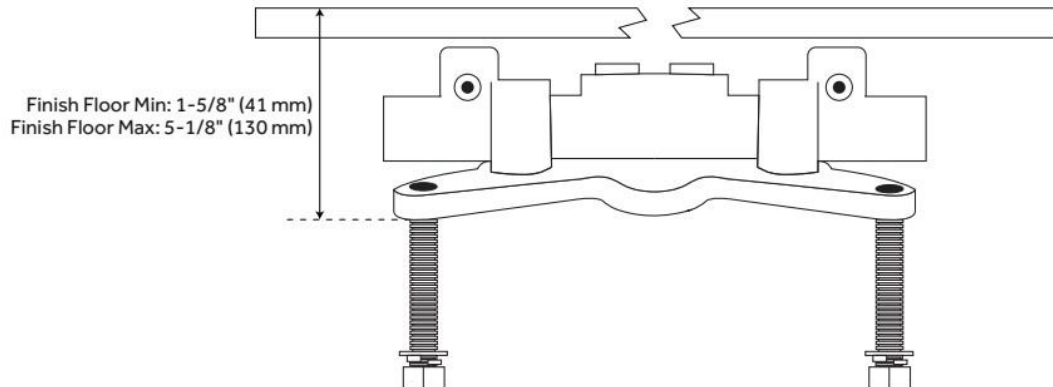
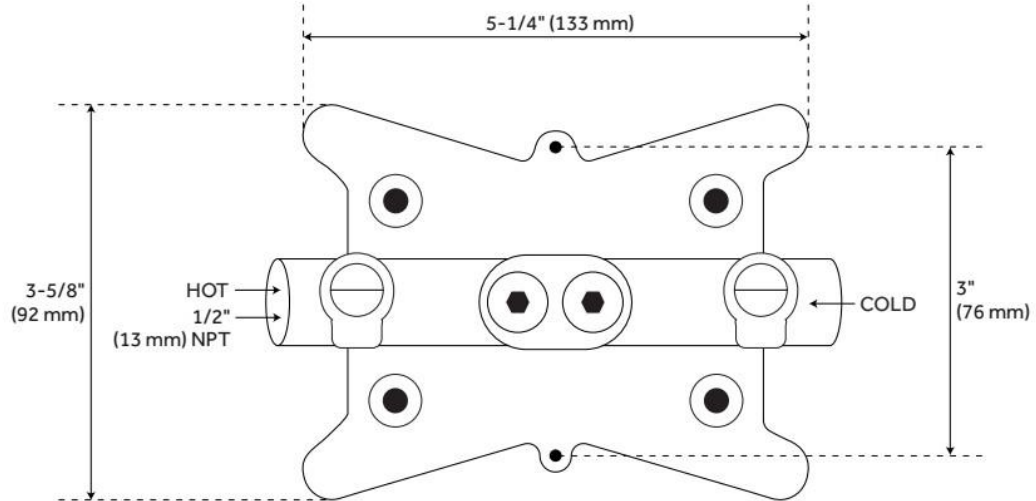
ADDITIONAL FEATURES

- Not compatible with the Ryle, Napier, Keswick, Cooper, and Cybelle Freestanding Tub Faucets.

REVISED 5/13/2024

FREESTANDING TUB FAUCET ROUGH-IN VALVE WITH STOPS

SKU: 448006
Code: SHFSR2000WS



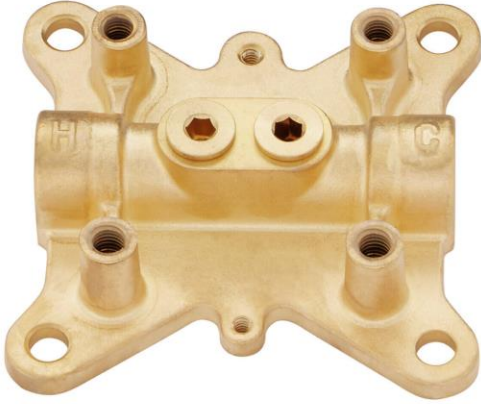
REVISED 5/13/2024

FREESTANDING TUB FAUCET ROUGH-IN VALVE

SKU: 446521
Code: SHFSR2000

FEATURES

Material: Metal construction for strength and durability



ASME A112.18.1/CSA B125.1, Massachusetts Accepted, LISTED ID: SHFSR2000



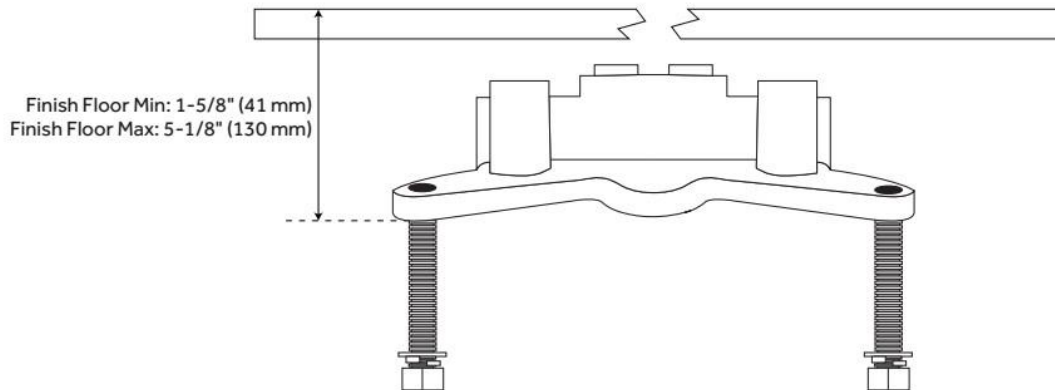
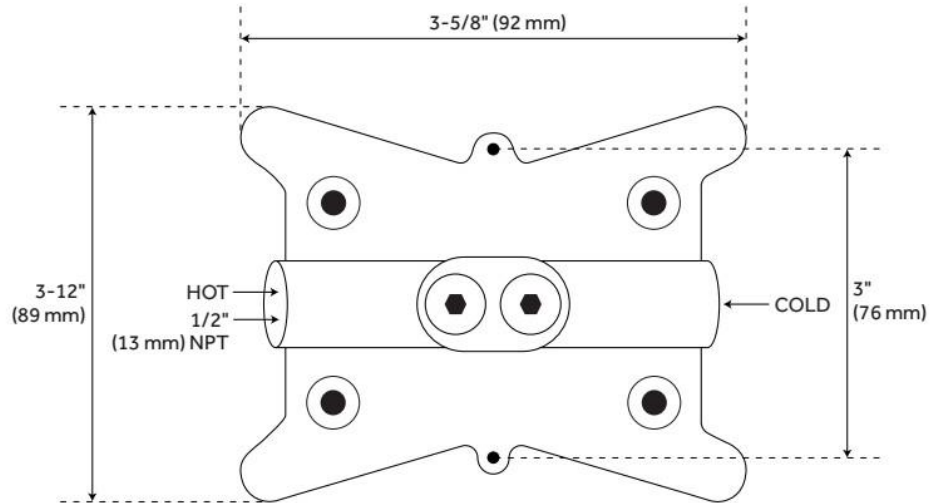
ADDITIONAL FEATURES

- Not compatible with Ryle, Napier, Keswick, Copper and Cybelle Freestanding Tub Faucets.

REVISED 5/13/2024

FREESTANDING TUB FAUCET ROUGH-IN VALVE

SKU: 446521
Code: SHFSR2000



REVISED 5/13/2024