

LEXIA 3-HOLE ROMAN TUB FAUCET

SKU: 953766

Code: SHLE3RT, SH674163, SH488902, SH488926, SHLE3RTPB, SHLE3RTPN



FEATURES

Material: Metal construction for strength and durability

Installation Type: Deck Mount

Flow Rate: 7.4 gpm (28 L/min) @ 20 psi

Cartridge Type: Ceramic Disc

Swivel Spout: No

Required for Installation: Rough-in valve: SH674163

ASME A112.18.1/CSA B125.1, Massachusetts Accepted, LISTED ID: SHLE3RT*, SH674163



ADDITIONAL FEATURES

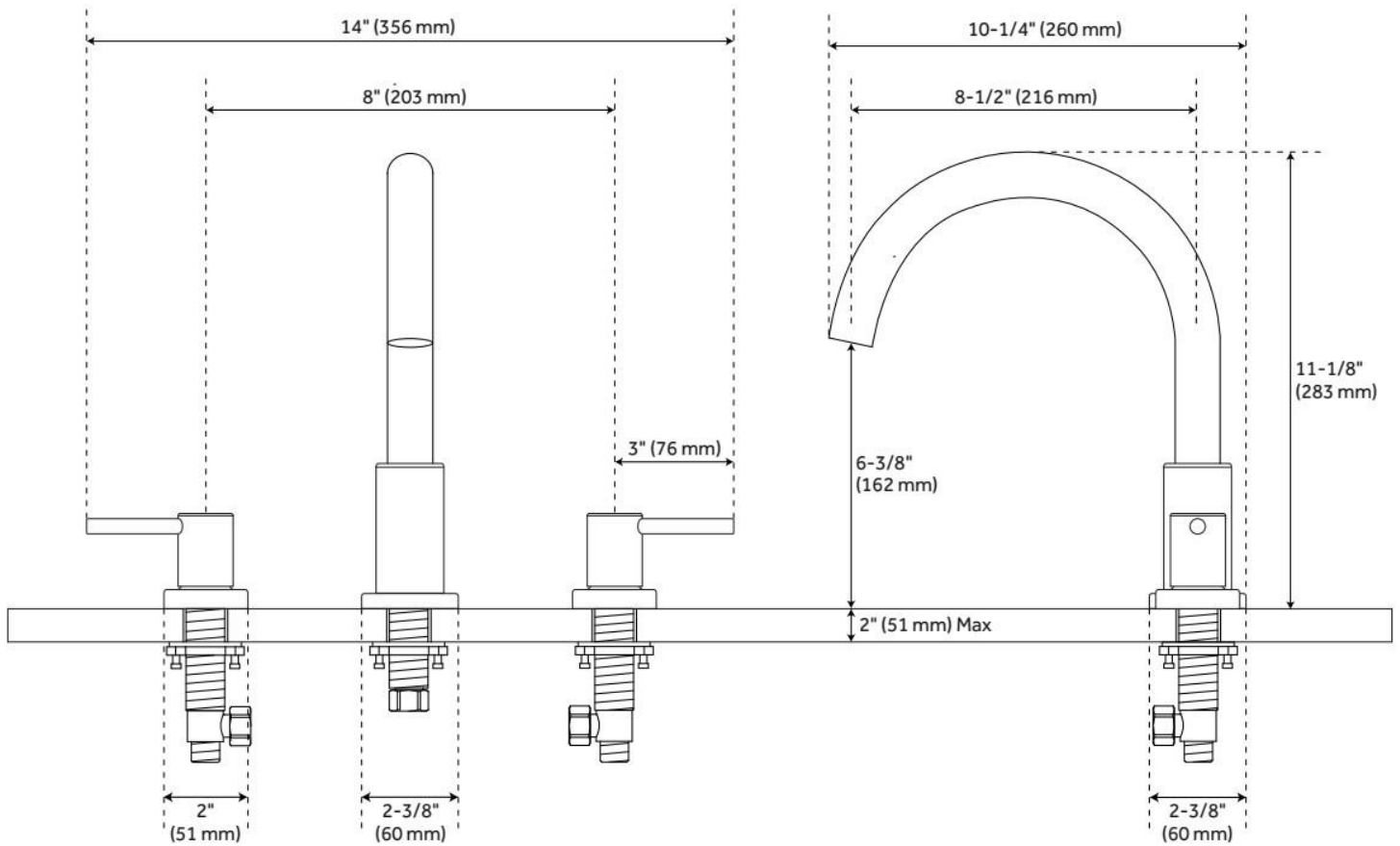
- 3-hole installation.
- Accommodates an 8" - 16" faucet's spread.
- Optional rough-in valve is required for use.
- Deck thickness max. 2".

REVISED 5/21/2024

LEXIA 3-HOLE ROMAN TUB FAUCET

SKU: 953766

Code: SHLE3RT, SH674163, SH488902, SH488926, SHLE3RTPB, SHLE3RTPN



REVISED 5/21/2024

3-HOLE ROMAN TUB FAUCET ROUGH-IN VALVE

SKU: 448004
Code: SH674163

FEATURES

Installation Type: Deck Mount



ASME A112.18.1/CSA B125.1, Massachusetts Accepted, LISTED ID: SH674163



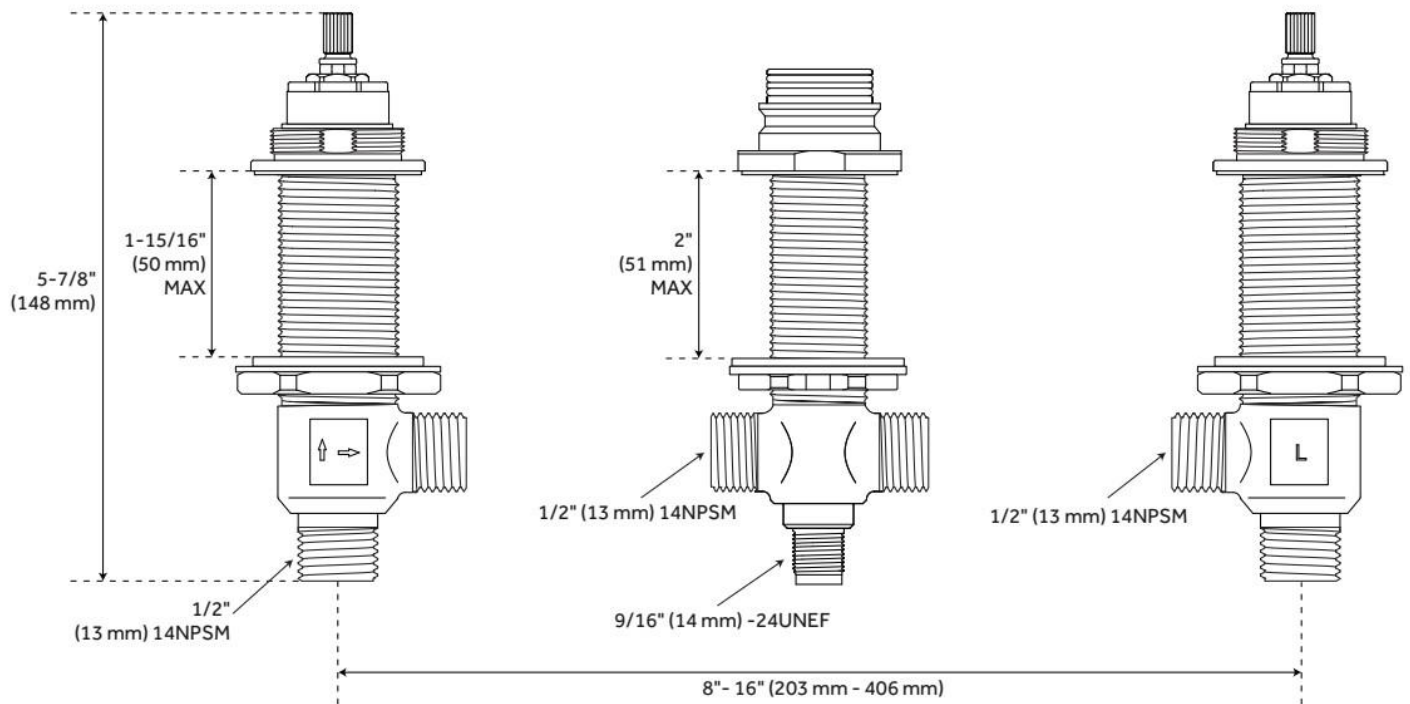
ADDITIONAL FEATURES

- Compatible with Beasley, Carraway, Edenton, Key West, Provincetown, St. Martin and Vilamonte 3-Hole Roman Tub Faucets.
- 3-Hole Installation.
- Brass coupling nut.
- Faucet can be installed with variable centers from 8" - 16".

REVISED 5/15/2024

3-HOLE ROMAN TUB FAUCET ROUGH-IN VALVE

SKU: 448004
Code: SH674163



REVISED 5/15/2024