

# LEXIA PRESSURE BALANCE SHOWER VALVE TRIM

SKU: 953770

Code: SHLE8010, SH4001, SH488894, SH488927, SHLE8010PN, SHLE8010PB



## FEATURES

Material: Metal

Required for Installation: Rough-in valve: SH4001

ASME A112.18.1/CSA B125.1, ASSE 1016 Type P, Massachusetts Accepted, LISTED ID: SHLE8010\*, SH4001



## ADDITIONAL FEATURES

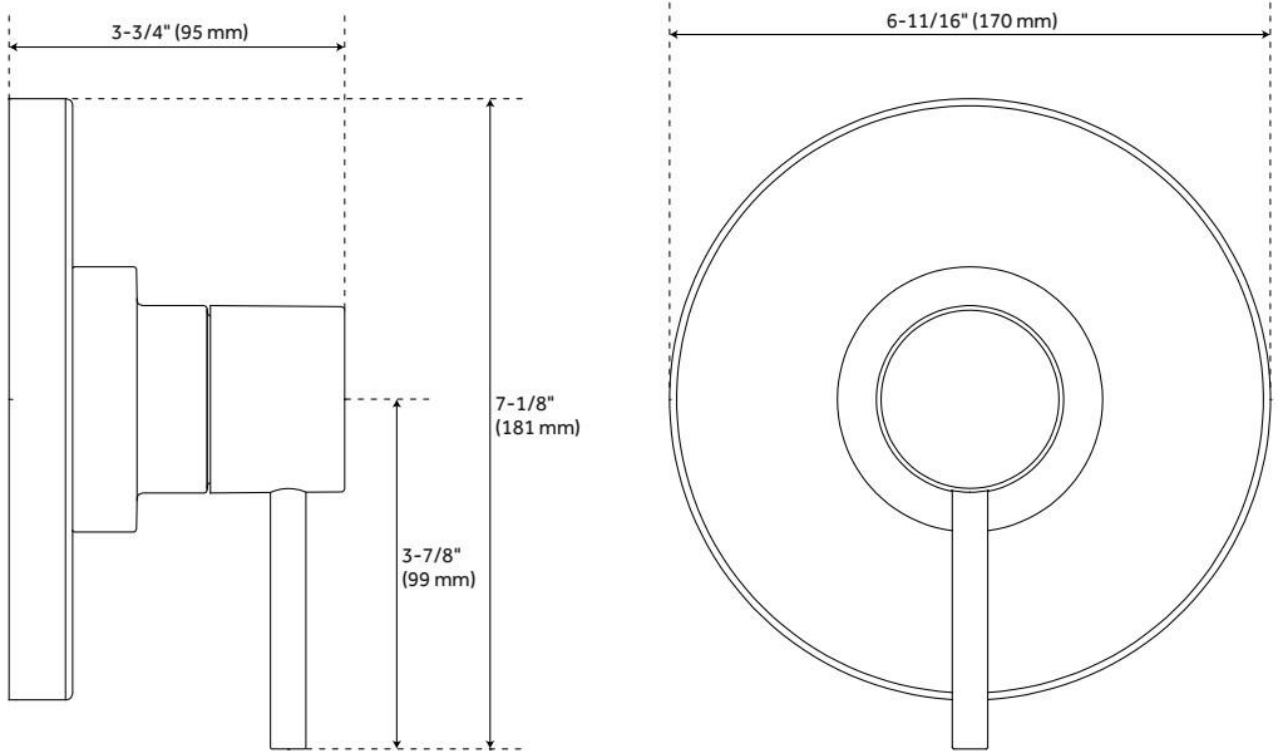
- Metal Handle.
- Optional, but required Rough-in valve.
- Pressure balance valve with integral stops.
- One-piece cartridge design for ease of maintenance.
- Back-to-back capability.
- Ceramic disc valve cartridge.
- Cast bronze valve body.
- Adjustable temperature limit stop.
- Quick remove plaster guard.
- Easy mounting brackets.

REVISED 6/3/2024

# LEXIA PRESSURE BALANCE SHOWER VALVE TRIM

SKU: 953770

Code: SHLE8010, SH4001, SH488894, SH488927, SHLE8010PN, SHLE8010PB



REVISED 6/3/2024

# PRESSURE BALANCE TUB & SHOWER ROUGH-IN VALVE

SKU: 446520  
Code: SH4001



## FEATURES

Material: Brass  
Flow Rate: 6.34 gpm (24.0 L/min) @ 80 psi  
Connection Type: 1/2" MIP and SWT  
Cartridge Type: Ceramic Disc

IAPMO, ASME A112.18.1/CSA B125.1, ASSE 1016 Type P, Massachusetts Accepted, LISTED ID: SH4001



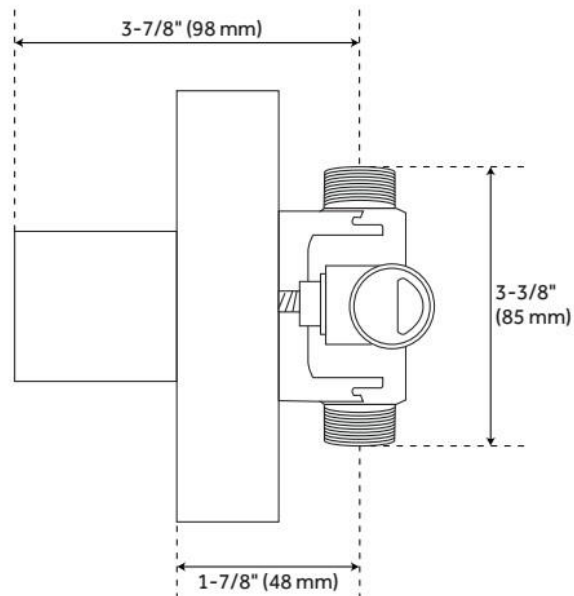
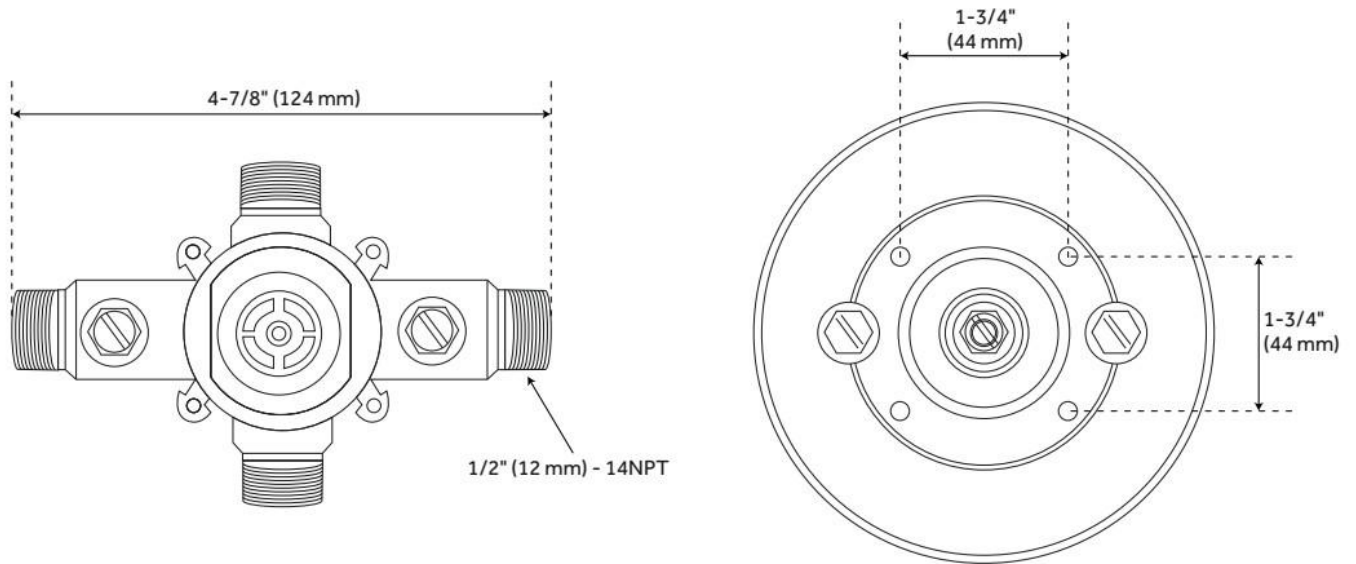
## ADDITIONAL FEATURES

- Pressure balance valve with integral stops.
- One-piece ceramic cartridge design for ease of maintenance.
- Back-to-back capability
- Adjustable temperature limit stop.
- Quick remove plaster guard and easy mounting brackets.

REVISED 11/27/2024

# PRESSURE BALANCE TUB & SHOWER ROUGH-IN VALVE

SKU: 446520  
Code: SH4001



REVISED 11/27/2024