

LEXIA PRESSURE BALANCE SHOWER SYSTEM WITH SLIDE BAR AND HAND SHOWER

SKU: 953776

Code: SHLE8020G, SH4001, SHHS4030G, SHH1010, SHWE2040, SHSB3040, SHLE9005, SH6103, SH488915



ASME A112.18.1/CSA B125.1

ASSE 1016 Type P

CEC Listed

WaterSense by IAPMO



FEATURES

Features: Pressure-Balanced; Rough-In Included; Hand Shower Included

Material: Metal

Assembly Required: Yes

Shape: Round

Handle Type: Lever

Shower Head Installation Type: Wall

Number of Shower Heads: 1

Shower Head Diameter: 7-7/8"

Shower Head Material: ABS

Shower Head Spray: Rainfall

Shower Arm Included: Yes

Shower Arm Extension: 12-3/8"

Shower Arm Height: 5-3/8"

Shower Head IPS: 1/2"

Shower Head Swivel: Yes

Slide Bar Length: 28"

Hand Shower Length: 8-7/8"

Hand Shower Hose Length: 60"

Hand Shower Material: ABS

Hand Shower Flow Rate: 1.8 gpm (6.8 L/min) @ 80 psi

Diverter Included: Yes

Diverter Outlets: 3

Shower Head Flow Rate: 1.8 gpm (6.8 L/min) @ 80 psi

REVISED 1/23/2024

LEXIA PRESSURE BALANCE SHOWER SYSTEM WITH SLIDE BAR AND HAND SHOWER

SKU: 953776

Code: SHLE8020G, SH4001, SHHS4030G, SHH1010, SHWE2040, SHSB3040, SHLE9005, SH6103, SH488915

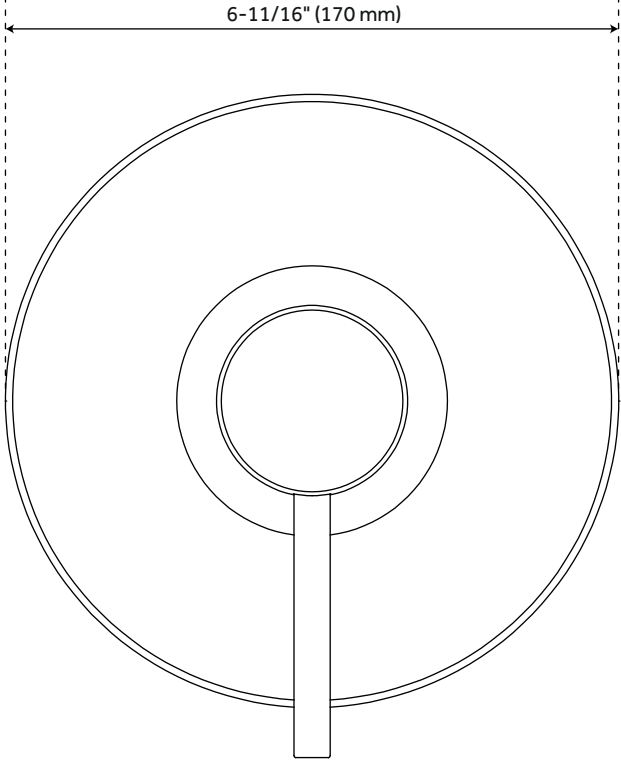
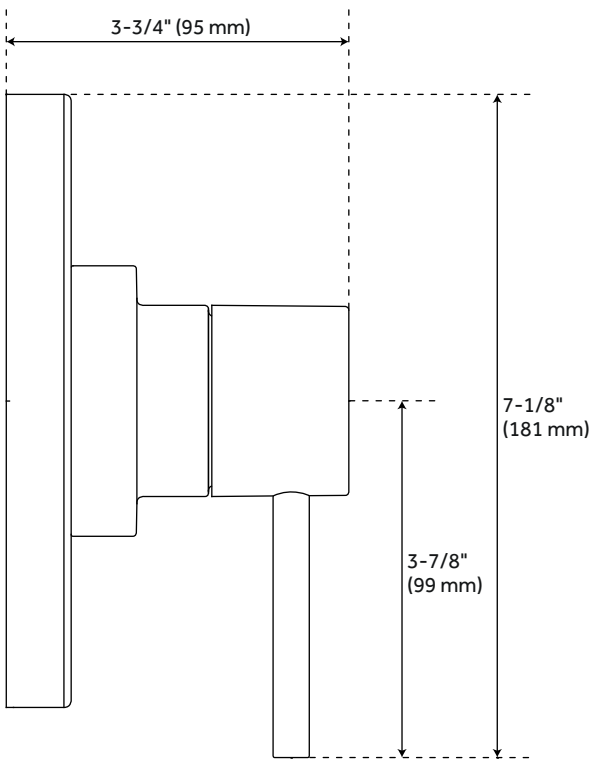


ADDITIONAL FEATURES

- Metal lever handle.
- Single function 8" Rainfall shower head.
- Single function hand shower with easy-clean spray nozzles.
- 60" - 72" stretchable metal shower hose.
- Included Rough-in valves:
- Pressure balance valve features a one-piece cartridge design for ease of maintenance, back-to-back capability, a ceramic disc cartridge, cast bronze valve body, adjustable temperature limit stop, a quick remove plaster guard, easy mounting brackets and integral stops.
- Ceramic cartridge.
- Diverter valve features a ceramic disc cartridge and brass valve body. An available Single-Function Diverter valve Cartridge restricts water flow to one outlet at a time.

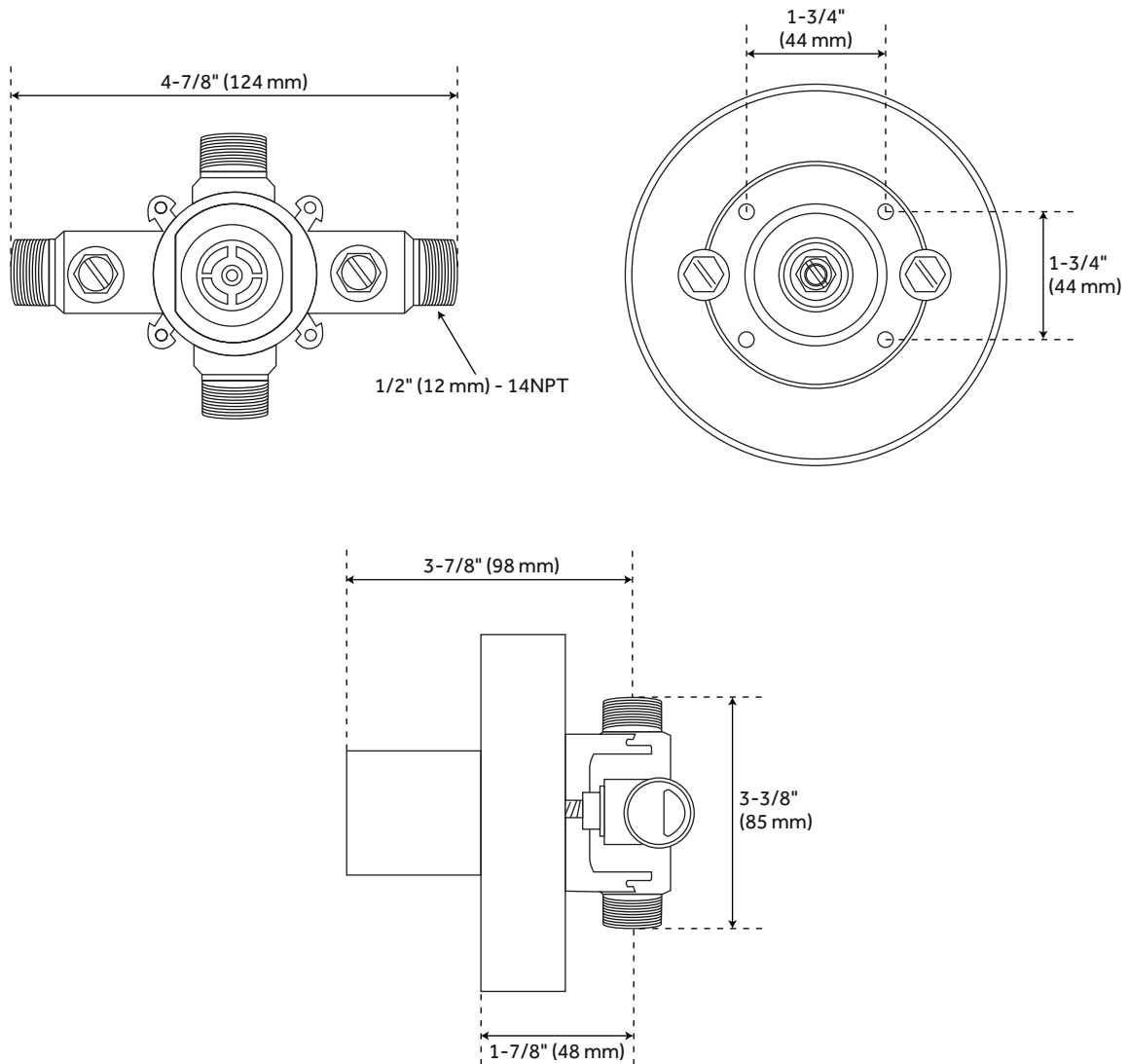
REVISED 1/23/2024

LEXIA PRESSURE BALANCE SHOWER TRIM



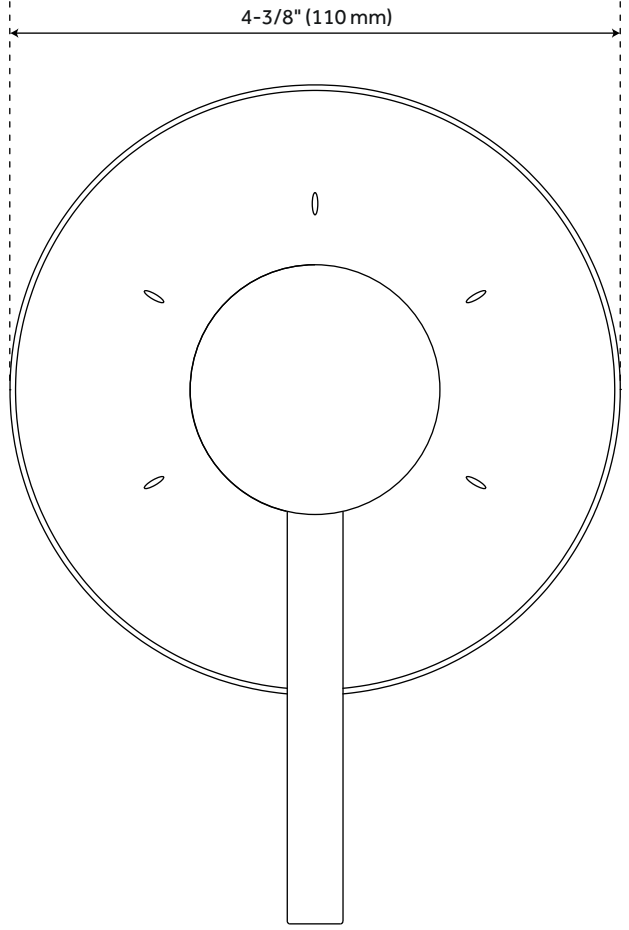
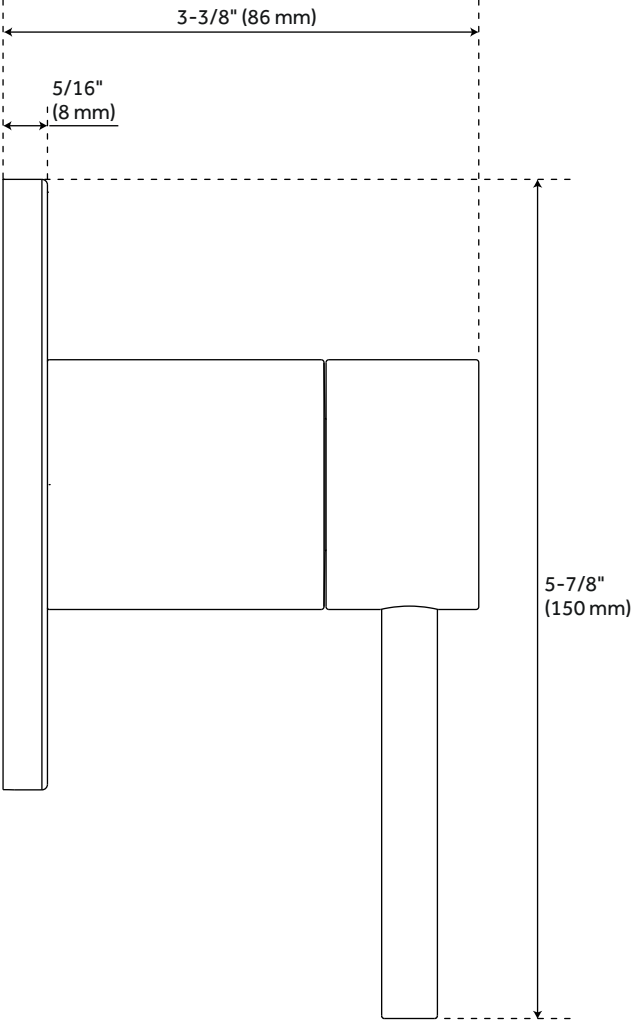
All dimensions and specifications are nominal and may vary. Use actual products for accuracy in critical situations.

LEXIA PRESSURE BALANCE ROUGH-IN VALVE



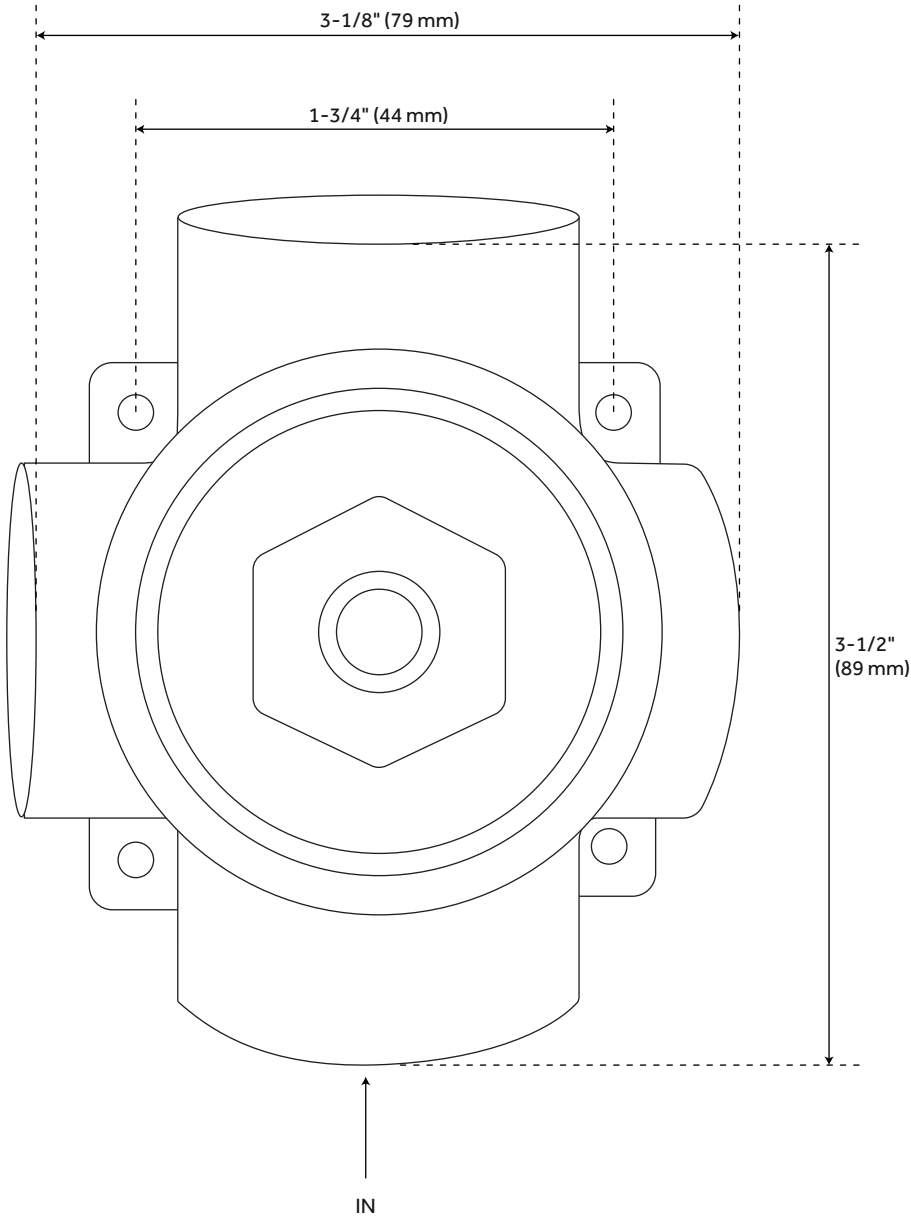
All dimensions and specifications are nominal and may vary. Use actual products for accuracy in critical situations.

LEXIA 3-WAY IN-WALL SHOWER DIVERTER



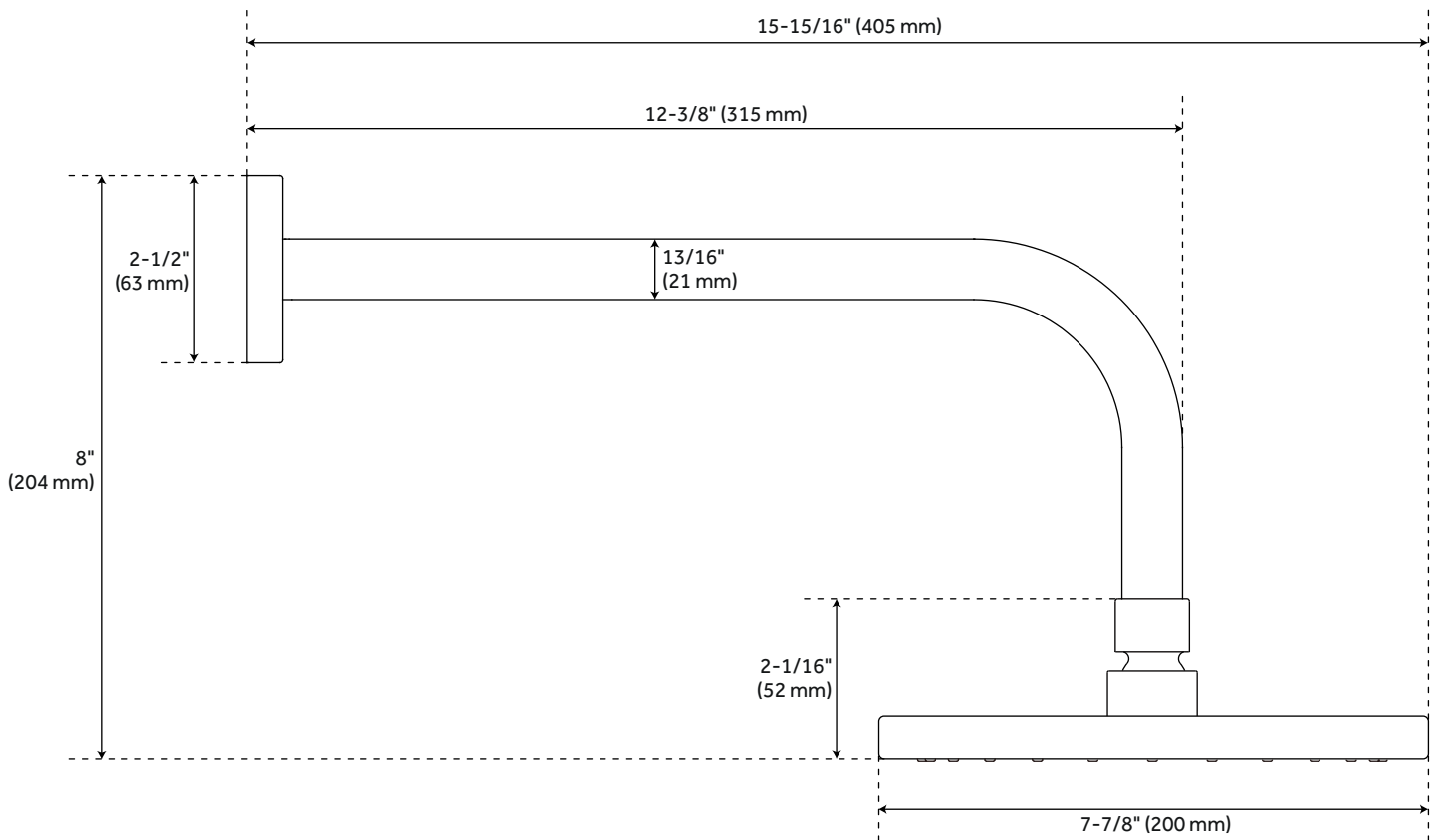
All dimensions and specifications are nominal and may vary. Use actual products for accuracy in critical situations.

LEXIA DIVERTER ROUGH-IN VALVE



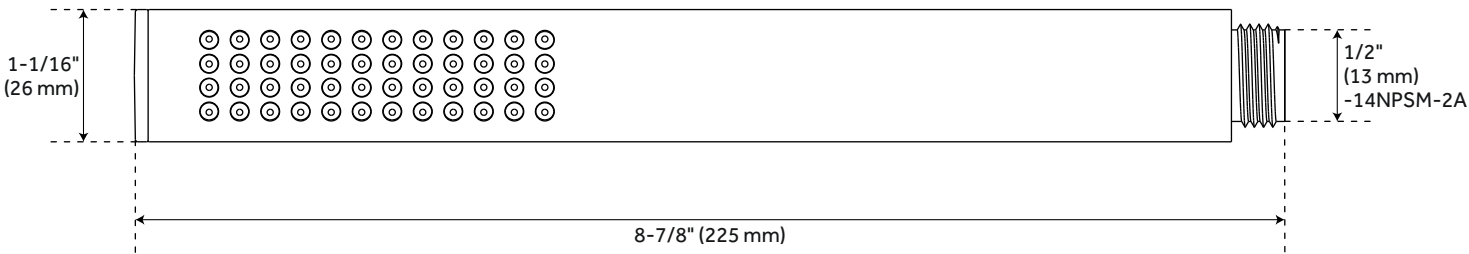
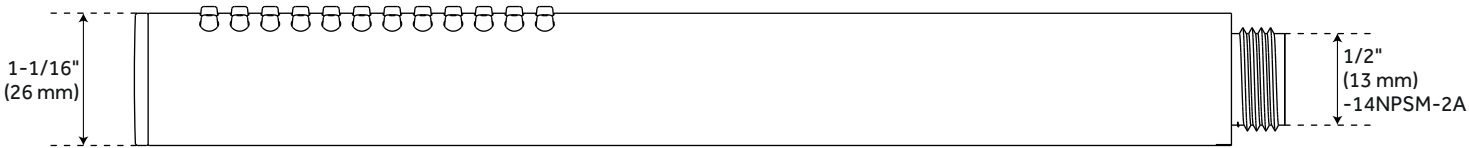
All dimensions and specifications are nominal and may vary. Use actual products for accuracy in critical situations.

LEXIA SHOWER HEAD AND ARM



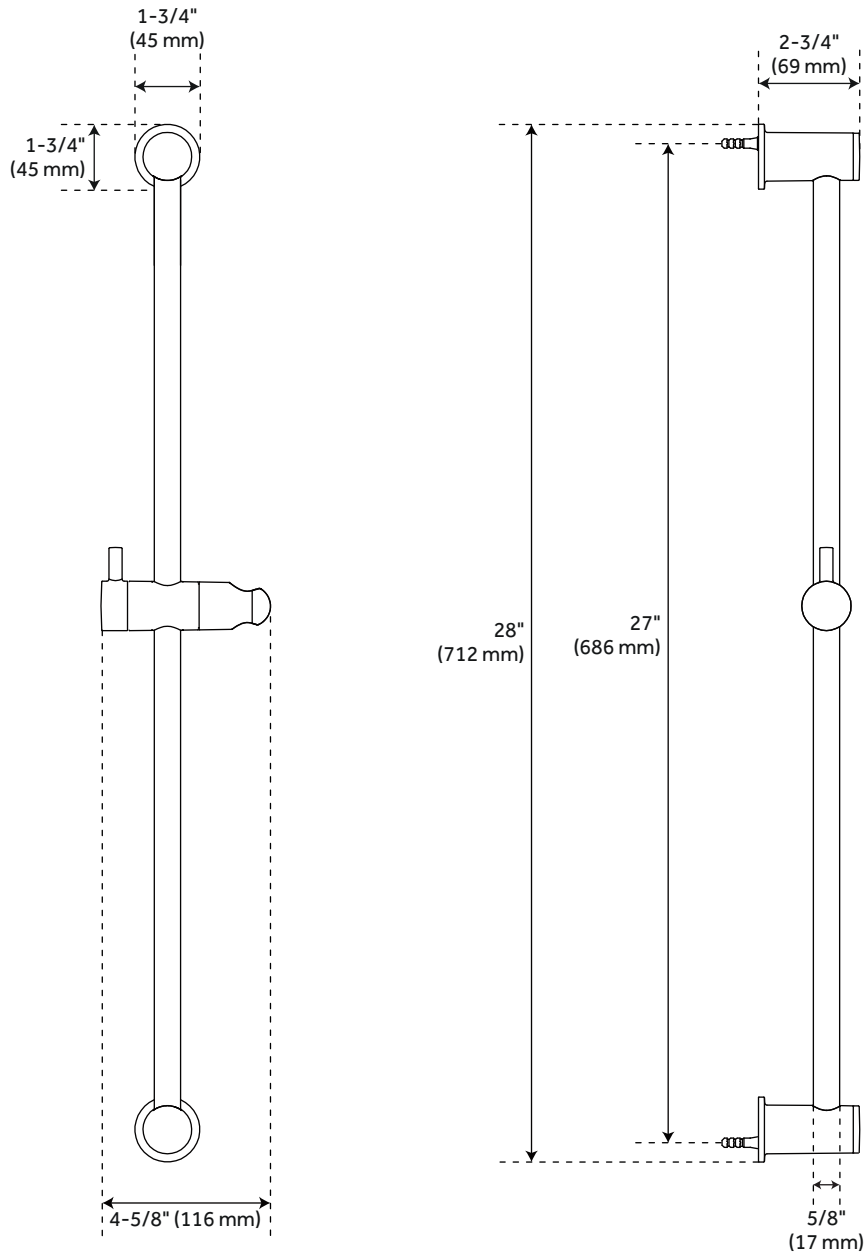
All dimensions and specifications are nominal and may vary. Use actual products for accuracy in critical situations.

LEXIA HAND SHOWER



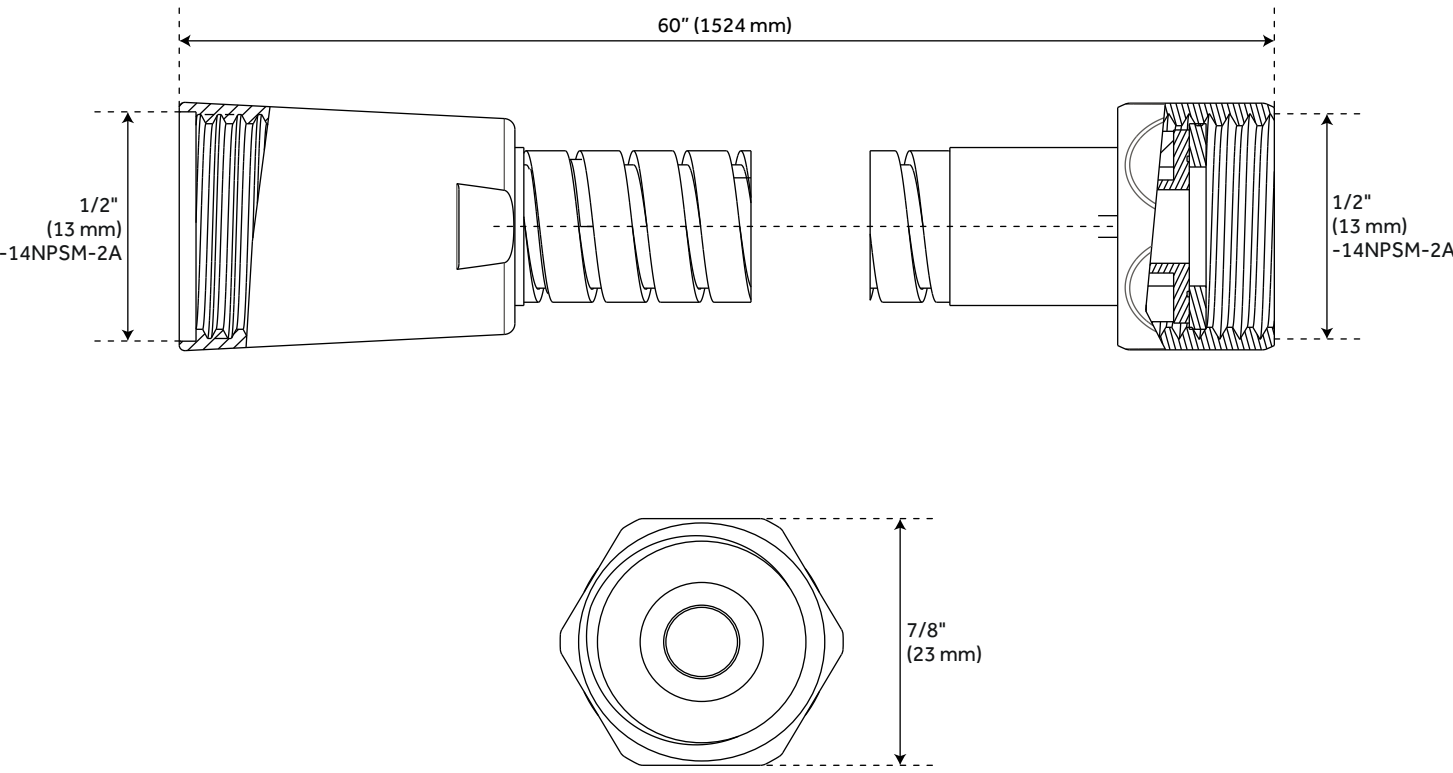
All dimensions and specifications are nominal and may vary. Use actual products for accuracy in critical situations.

LEXIA SLIDE BAR



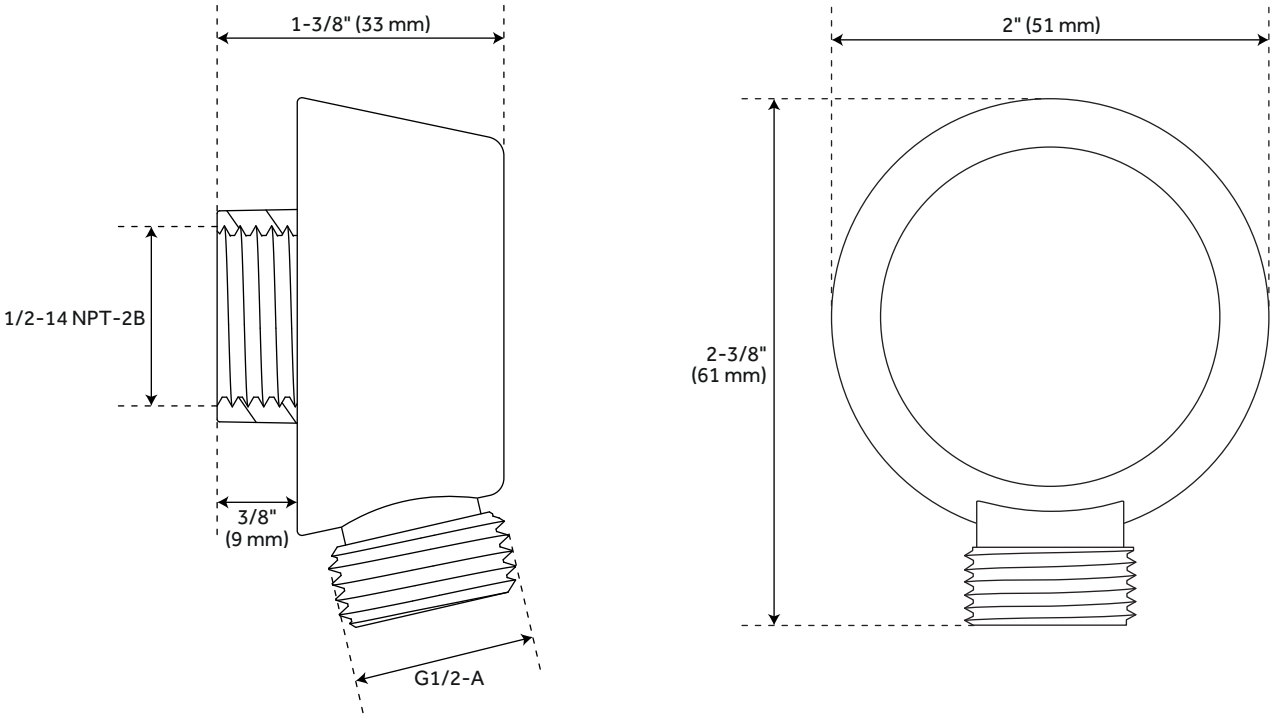
All dimensions and specifications are nominal and may vary. Use actual products for accuracy in critical situations.

LEXIA HAND SHOWER HOSE



All dimensions and specifications are nominal and may vary. Use actual products for accuracy in critical situations.

LEXIA ROUND WATER SUPPLY ELBOW



All dimensions and specifications are nominal and may vary. Use actual products for accuracy in critical situations.