

LEXIA THERMOSTATIC SHOWER SYSTEM WITH SLIDE BAR AND HAND SHOWER

SKU: 953779

Code: SHLE9009, SH6006, SHRSA122, SHRSB820RG, SHHS4030G, SHH1010, SHWE2040, SHLE9005, SH6103, SHLE9007, SH6040, SHSB3040, SH488918



FEATURES

Material: Metal
Shower Head Swivel: Yes
Hand Shower Spray: Full
Hand Shower Flow Rate: 1.8 gpm (6.8 L/min) @ 80 psi
Connection Type: 3/4" NPT
Diverter Outlets: 3
Cartridge Type: Thermostatic

ASME A112.18.1/CSA B125.1, ASME A112.18.2/CSA B125.2, CEC Listed, WaterSense by IAPMO, Massachusetts Accepted, LISTED ID: SH6103, SH6006, SH6040, SHHS4030G*, SHRSB820RG*, SHH1010*, SHWE2040*, SHLE9009*, SHLE9005*, SHLE9007*, SHRSA123*, SHRSA122*



ADDITIONAL FEATURES

- Thermostatic technology keeps shower temperature within 1 degree Celsius.
- Temperature outlet factory calibrated to 104 degrees Fahrenheit and can be easily adjusted up or down to user's comfort level.
- Six total settings allow for shared water flow between outlets, giving you the ability to use two functions at once.
- Metal handles.
- Single function shower head (full spray) with easy-clean silicone nozzles.
- Single function hand shower.
- 60" - 72" stretchable metal shower hose.
- Adjustable angle for hand shower mount.
- Must be installed in accordance with provided installation instructions.
- Recommended valve installation depth 1-5/8" to 2-3/8"
- Included Rough-in valves:

REVISED 6/4/2024

LEXIA IN-WALL SHOWER DIVERTER

SKU: 953774

Code: SHLE9005, SH6101, SH6103



FEATURES

Material: Metal

ASME A112.18.1/CSA B125.1, ASME A112.18.2/CSA B125.2, ICC/ANSI A117.1, Massachusetts Accepted, LISTED ID: SHLE9005*, SH6101, SH6103



ADDITIONAL FEATURES

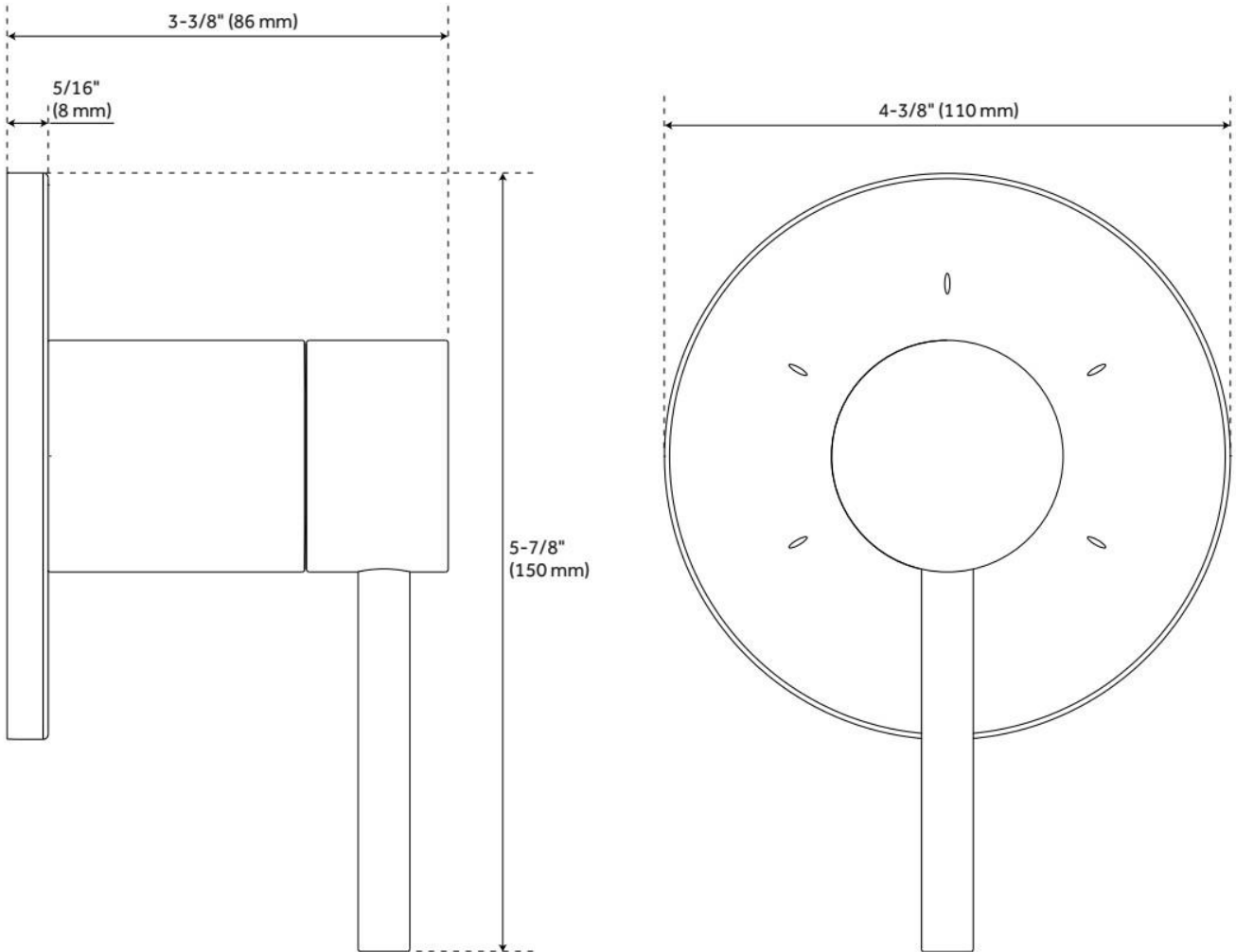
- Lever metal handle.
- Optional, but required Rough-in valve.
- Six total settings allow for shared water flow between outlets giving you the ability to use two functions at once.
- Ceramic cartridge.
- Available Single-Function Diverter valve Cartridge restricts water flow to one outlet at a time.
- Not intended as a shut off valve.
- For installations only requiring 2 outlets, the 3rd outlet may be looped into one of the existing pipes.

REVISED 5/29/2024

LEXIA IN-WALL SHOWER DIVERTER

SKU: 953774

Code: SHLE9005, SH6101, SH6103



REVISED 5/29/2024

LEXIA IN-WALL SHOWER VOLUME CONTROL HANDLE

SKU: 953775

Code: SHLE9007, SH6020, SH6040, SH488898, SH488934, SH488935



FEATURES

Material: Metal

Required for Installation: Rough-in valve: SH6020 or SH6040

ASME A112.18.1/CSA B125.1, ICC/ANSI A117.1, Massachusetts Accepted, LISTED ID: SHLE9007*, SH6020, SH6040



ADDITIONAL FEATURES

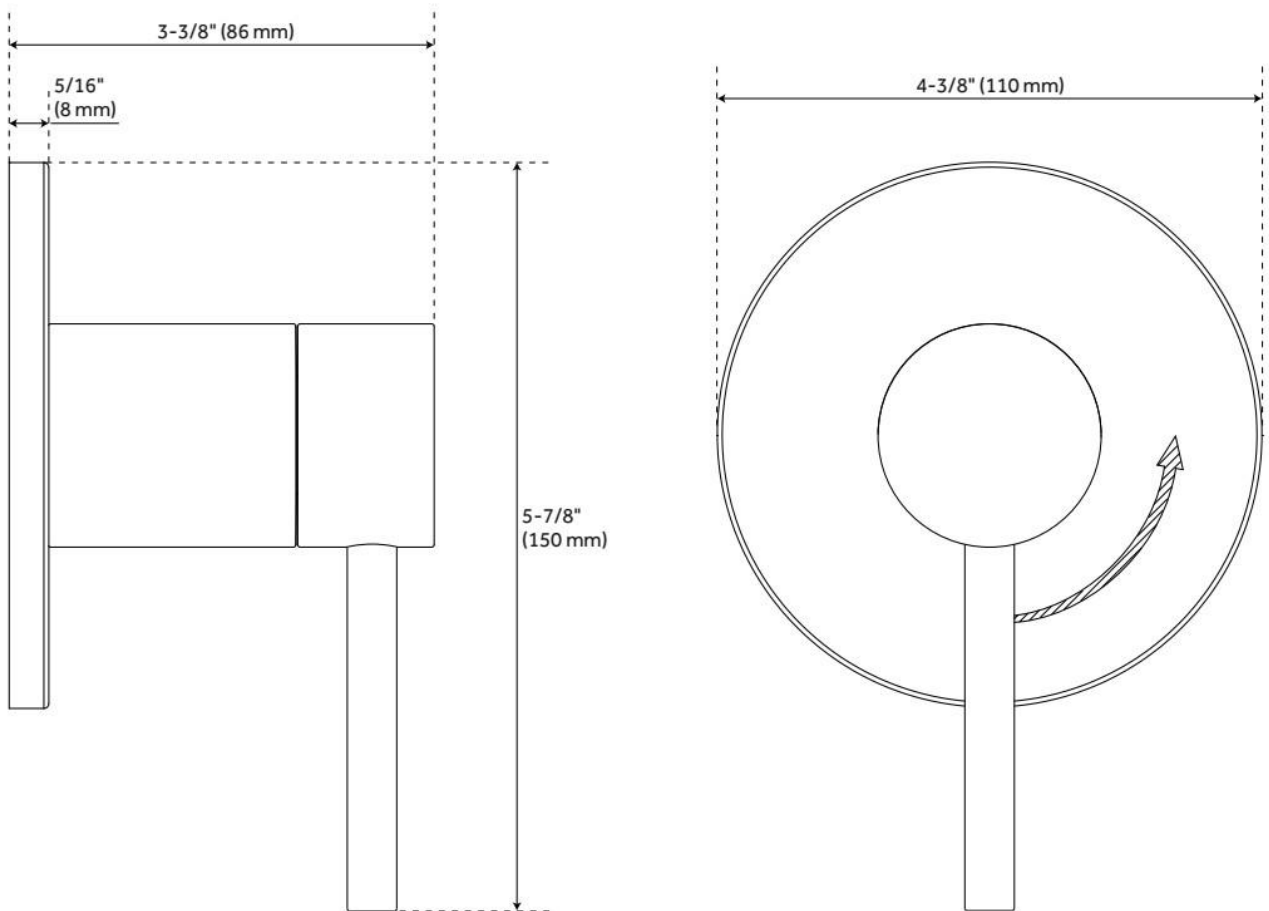
- Metal lever handle.
- Intended for use with a thermostatic valve and trim.
- Optional, but required Rough-in valve:
- Bronze valve body.
- Ceramic cartridge.

REVISED 6/4/2024

LEXIA IN-WALL SHOWER VOLUME CONTROL HANDLE

SKU: 953775

Code: SHLE9007, SH6020, SH6040, SH488898, SH488934, SH488935



REVISED 6/4/2024

LEXIA THERMOSTATIC SHOWER VALVE TRIM

SKU: 953773

Code: SHLE9009, SH6004, SH6006, SH488897, SH488932, SH488933, SHLE9009PB, SHLE9009PN



FEATURES

Material: Metal

Required for Installation: Rough-in valve: SH6006 or SH6004

ASME A112.18.1/CSA B125.1, ICC/ANSI A117.1, Massachusetts Accepted, LISTED ID: SHLE9009*, SH6004, SH6006



ADDITIONAL FEATURES

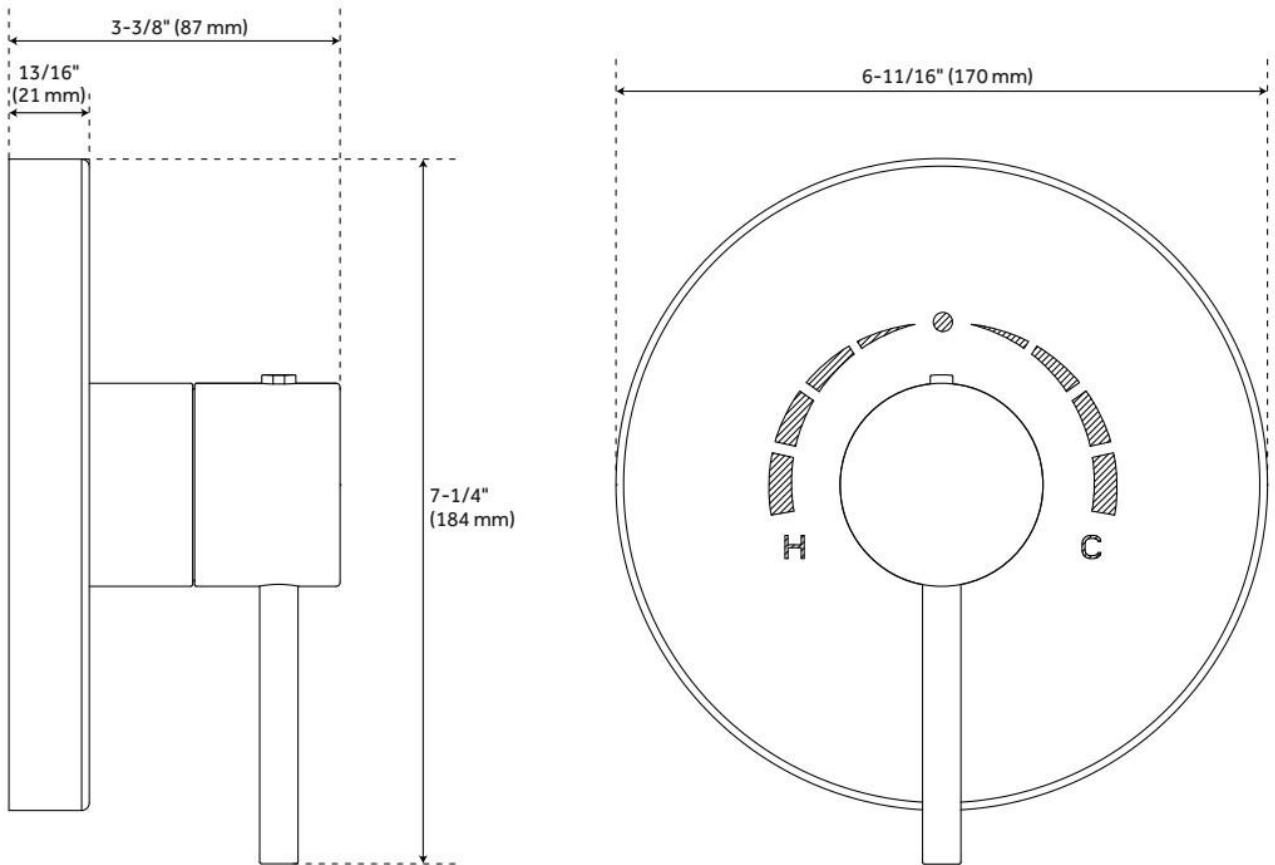
- For proper installation, requires use of volume control valve and trim.
- Optional, but required Rough-in valve:
- Bronze valve body.
- Factory-calibrated comfort setting at 104 degrees Fahrenheit.
- Water inlet stops and check valve.
- Thermostatic technology keeps shower temperature.

REVISED 6/3/2024

LEXIA THERMOSTATIC SHOWER VALVE TRIM

SKU: 953773

Code: SHLE9009, SH6004, SH6006, SH488897, SH488932, SH488933, SHLE9009PB, SHLE9009PN



REVISED 6/3/2024

CYLINDRICAL WALL-MOUNT SHOWER ARM

SKU: 953769

Code: SHRSA122, SH484204

FEATURES

Material: Metal

Connection Type: 1/2" NPT



ASME A112.18.1/CSA B125.1, Massachusetts Accepted, LISTED ID: SHRSA122*



ADDITIONAL FEATURES

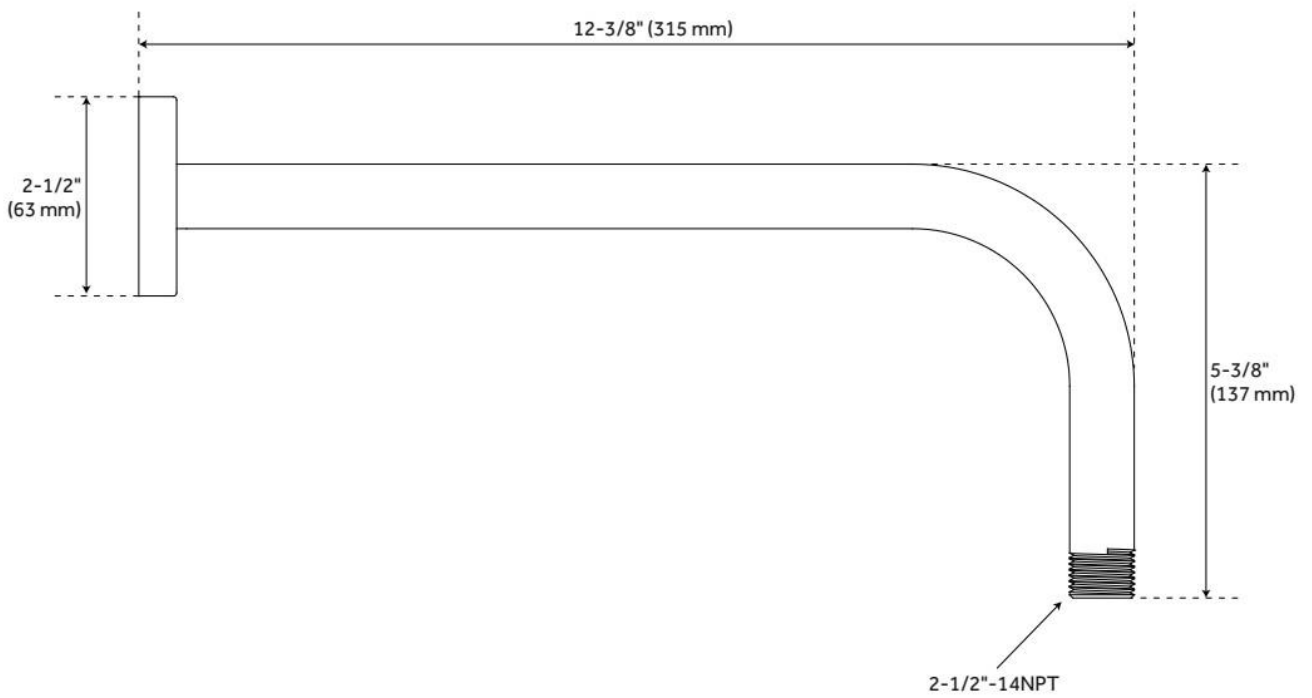
- Escutcheon included.

REVISED 6/4/2024

CYLINDRICAL WALL-MOUNT SHOWER ARM

SKU: 953769

Code: SHRSA122, SH484204



REVISED 6/4/2024

8" MODERN ROUND RAINFALL SHOWER HEAD - 1.8 GPM - CHROME

SKU: 948948-18

Code: SHRSB820RG, SH484203, SH485499, SHRSB820RGPB



FEATURES

Material: ABS

Shower Head Swivel: Yes

ASME A112.18.1/CSA B125.1, CEC Listed, WaterSense by IAPMO, Massachusetts Accepted, LISTED ID: SHRSB820RG*



ADDITIONAL FEATURES

- Single function shower head (full spray).
- Easy clean rubber nozzles.
- Brass ball joint.

REVISED 5/29/2024

CONTEMPORARY SLIDE BAR FOR HAND SHOWER

SKU: 948919

Code: SHSB3040, SH484206, SH485501, SHSB3040PB



FEATURES

Material: Brass

ADDITIONAL FEATURES

- Metal bar and mounting posts.
- Adjustable angle for handshower mount.

REVISED 5/29/2024

CONTEMPORARY TUBULAR HAND SHOWER

SKU: 948923

Code: SHHS4030G, SH488912, SHHS4030GPB



FEATURES

Material: ABS

Hand Shower Spray: Full

Hand Shower Flow Rate: 1.8 gpm (6.8 L/min) @ 80 psi

ASME A112.18.1/CSA B125.1, CEC Listed, WaterSense by IAPMO, Massachusetts Accepted, LISTED ID: SHHS4030G*



ADDITIONAL FEATURES

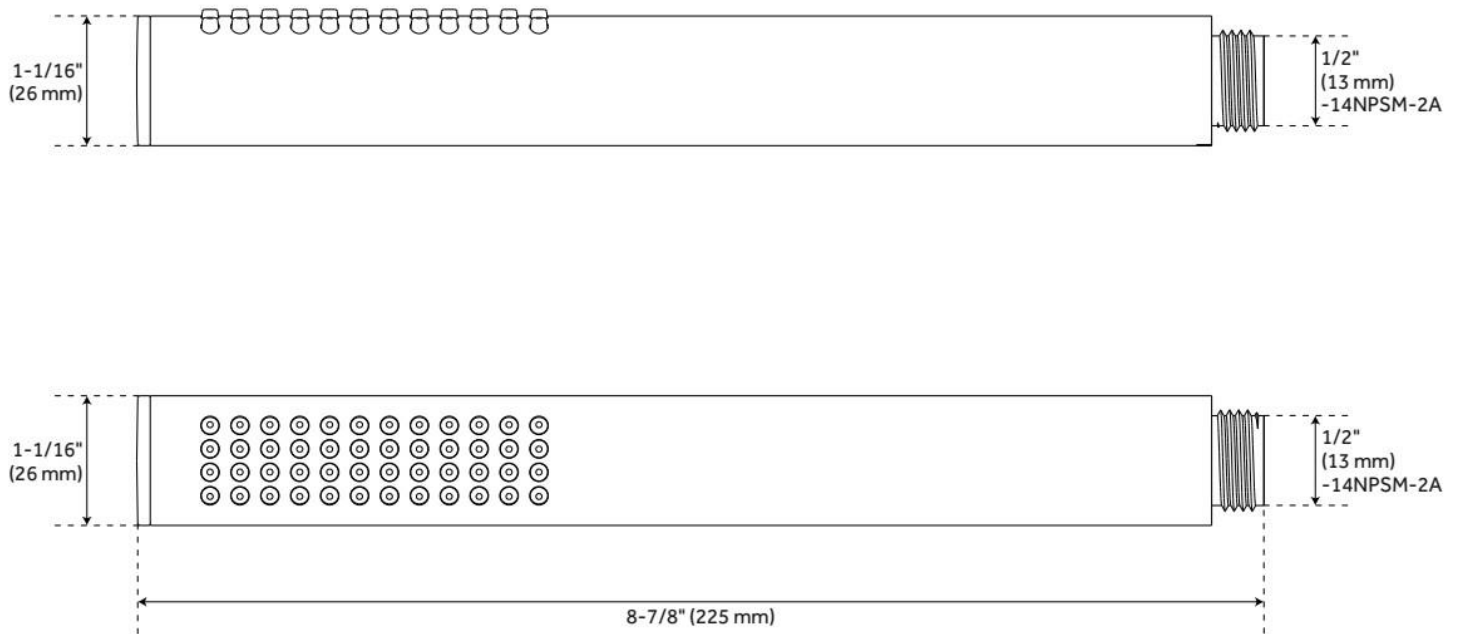
- Single function hand shower.
- Easy-clean spray nozzles.
- Factory installed backflow prevention check valve.
- Hose sold separately.

REVISED 5/29/2024

CONTEMPORARY TUBULAR HAND SHOWER

SKU: 948923

Code: SHHS4030G, SH488912, SHHS4030GPB



REVISED 5/29/2024

60" STRETCHABLE METAL HAND SHOWER HOSE

SKU: 948938

Code: SHH1010, SH484205, SH485500, SHH1010PB

FEATURES

Connection Type: 1/2" IPS



ASME A112.18.1/CSA B125.1, Massachusetts Accepted, LISTED ID: SHH1010*



ADDITIONAL FEATURES

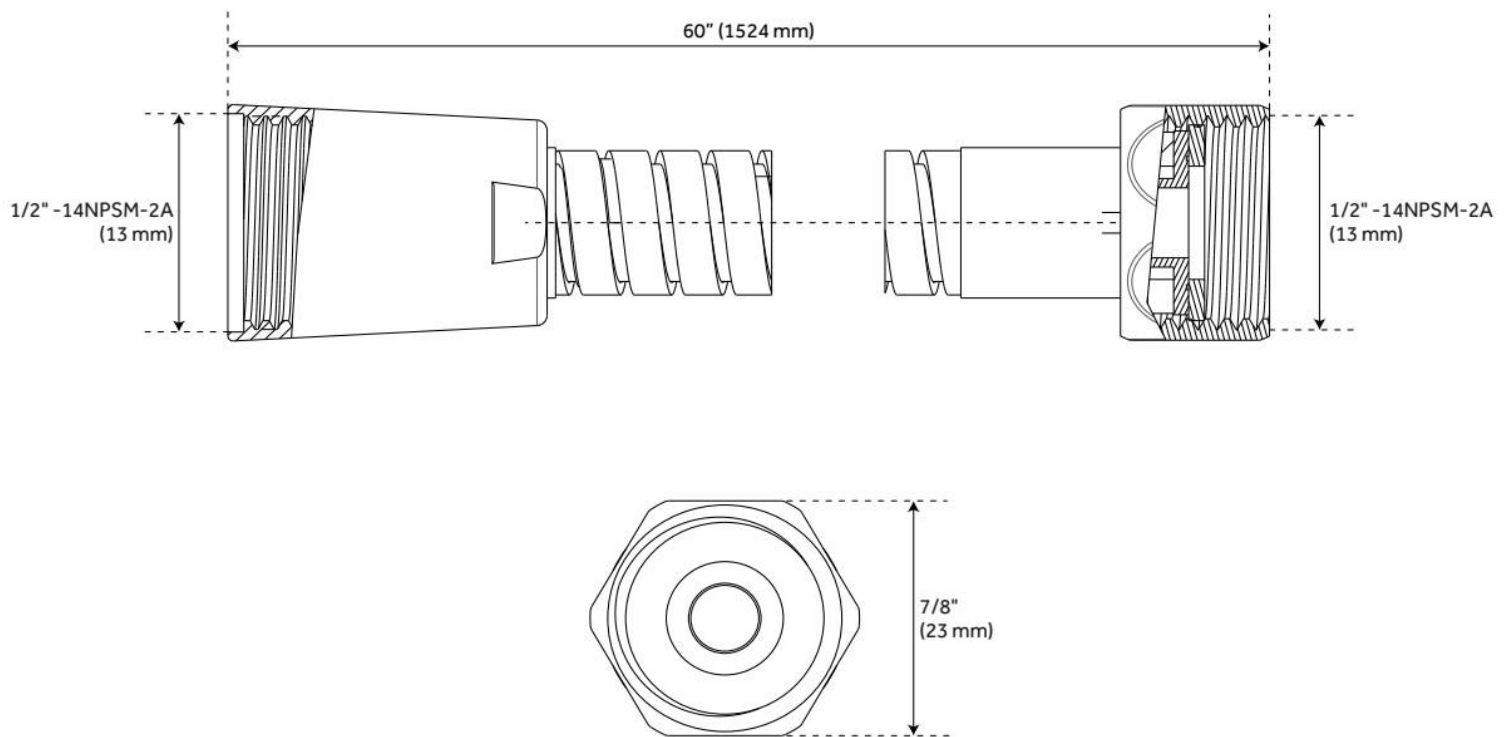
- 60" - 72" stretchable metal shower hose.
- Double spiral construction.
- Metal conical nut.

REVISED 5/23/2024

60" STRETCHABLE METAL HAND SHOWER HOSE

SKU: 948938

Code: SHH1010, SH484205, SH485500, SHH1010PB



REVISED 5/23/2024

CONTEMPORARY ROUND WATER SUPPLY ELBOW FOR HAND SHOWER

SKU: 932365

Code: SHWE2040, SH417826, SH484207, SH485502, SHWE2040PB

FEATURES

Material: Brass

Connection Type: 1/2" NPT



ASME A112.18.1/CSA B125.1, LISTED ID: SHWE2040*



ADDITIONAL FEATURES

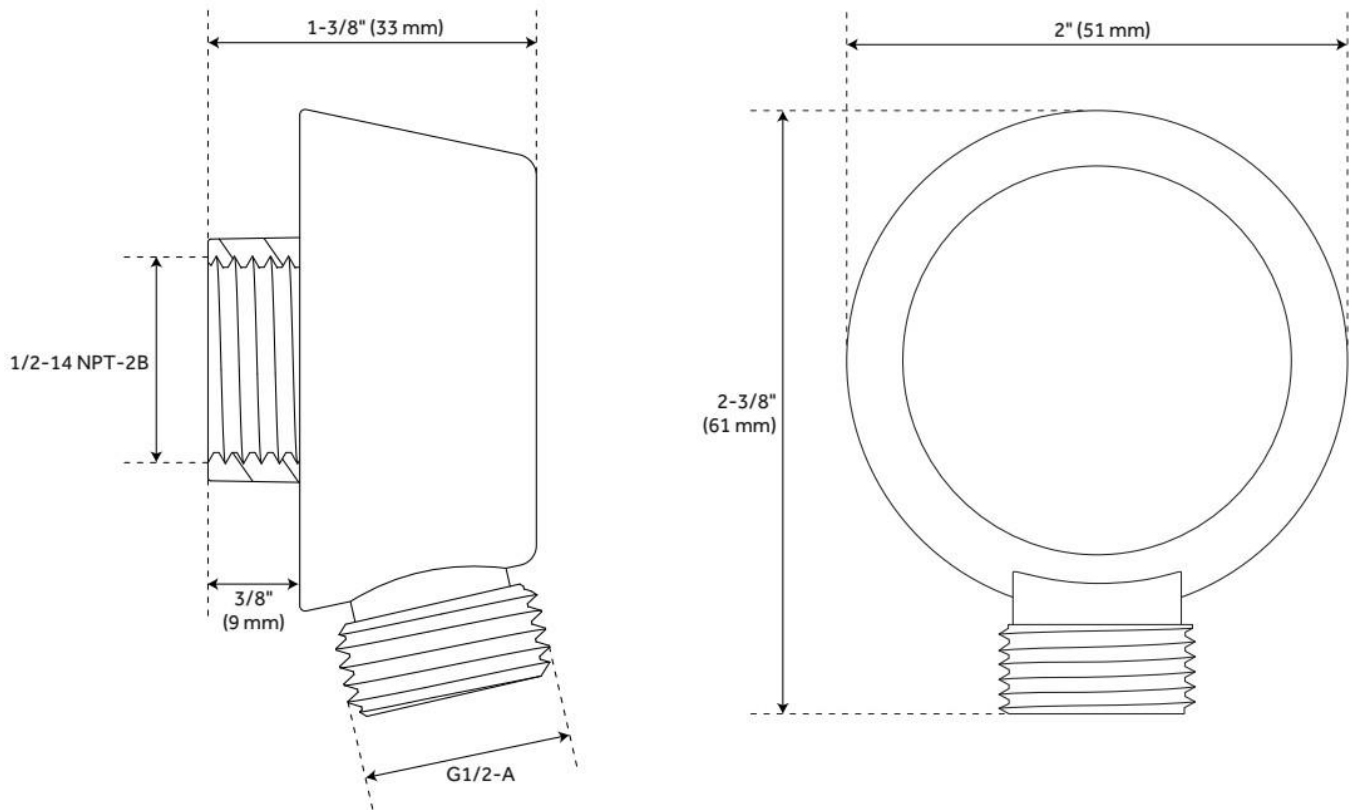
- 1/2" Female wall connection.
- 1/2" Male hose connection.

REVISED 5/29/2024

CONTEMPORARY ROUND WATER SUPPLY ELBOW FOR HAND SHOWER

SKU: 932365

Code: SHWE2040, SH417826, SH484207, SH485502, SHWE2040PB



REVISED 5/29/2024

VOLUME CONTROL ROUGH-IN VALVE

SKU: 948546

Code: SH6020, SH6040

FEATURES



ASME A112.18.1/CSA B125.1, Massachusetts Accepted, LISTED ID: SH6020, SH6040



ADDITIONAL FEATURES

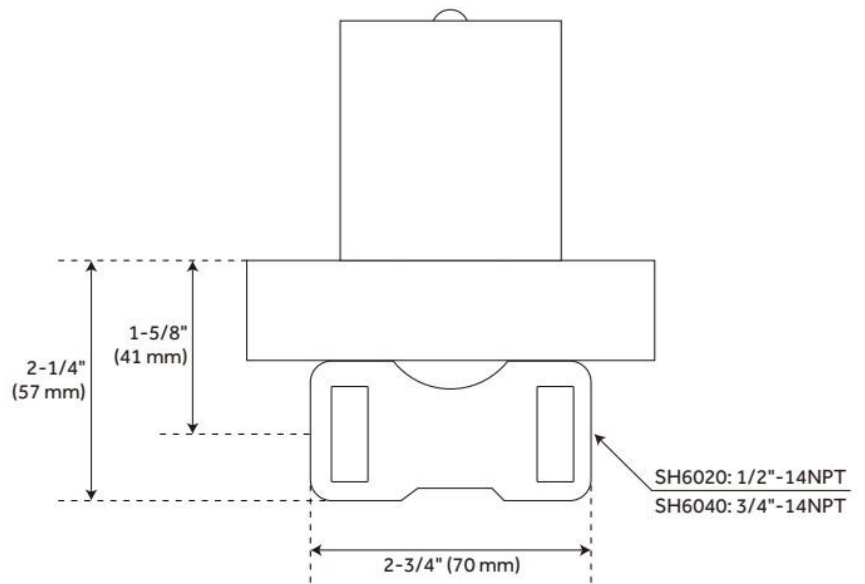
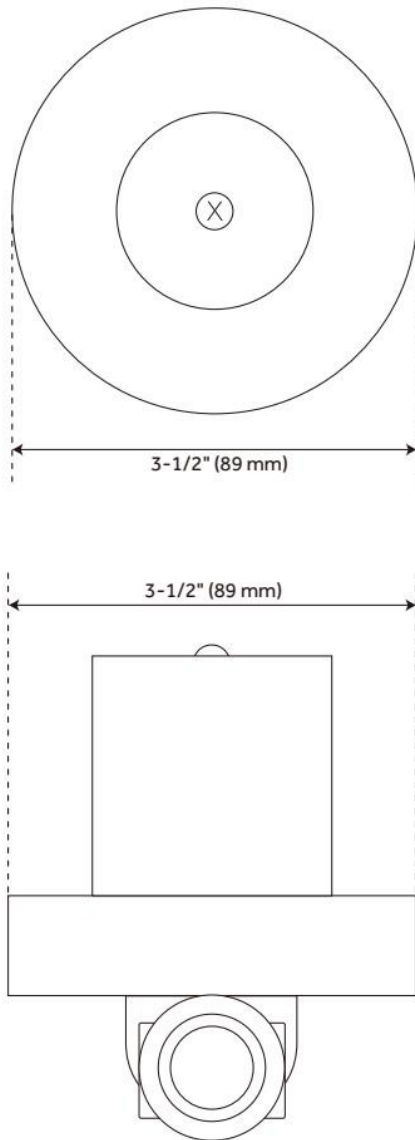
- Intended for use with a thermostatic valve and trim.
- Bronze valve body.
- Ceramic cartridge.
- Compatible with Beasley, Edenton, Greyfield, Hibiscus, Pinecrest, Provincetown, Rigi and Vilamonte Volume Control Trims.

REVISED 5/23/2024

VOLUME CONTROL ROUGH-IN VALVE

SKU: 948546

Code: SH6020, SH6040



REVISED 5/23/2024

3-WAY IN-WALL DIVERTER ROUGH-IN VALVE

SKU: 953056
Code: SH6103, SH6101

FEATURES

Material: Brass



ASME A112.18.1/CSA B125.1, ASME A112.18.2/CSA B125.2, Massachusetts Accepted, LISTED ID: SH6103, SH6101



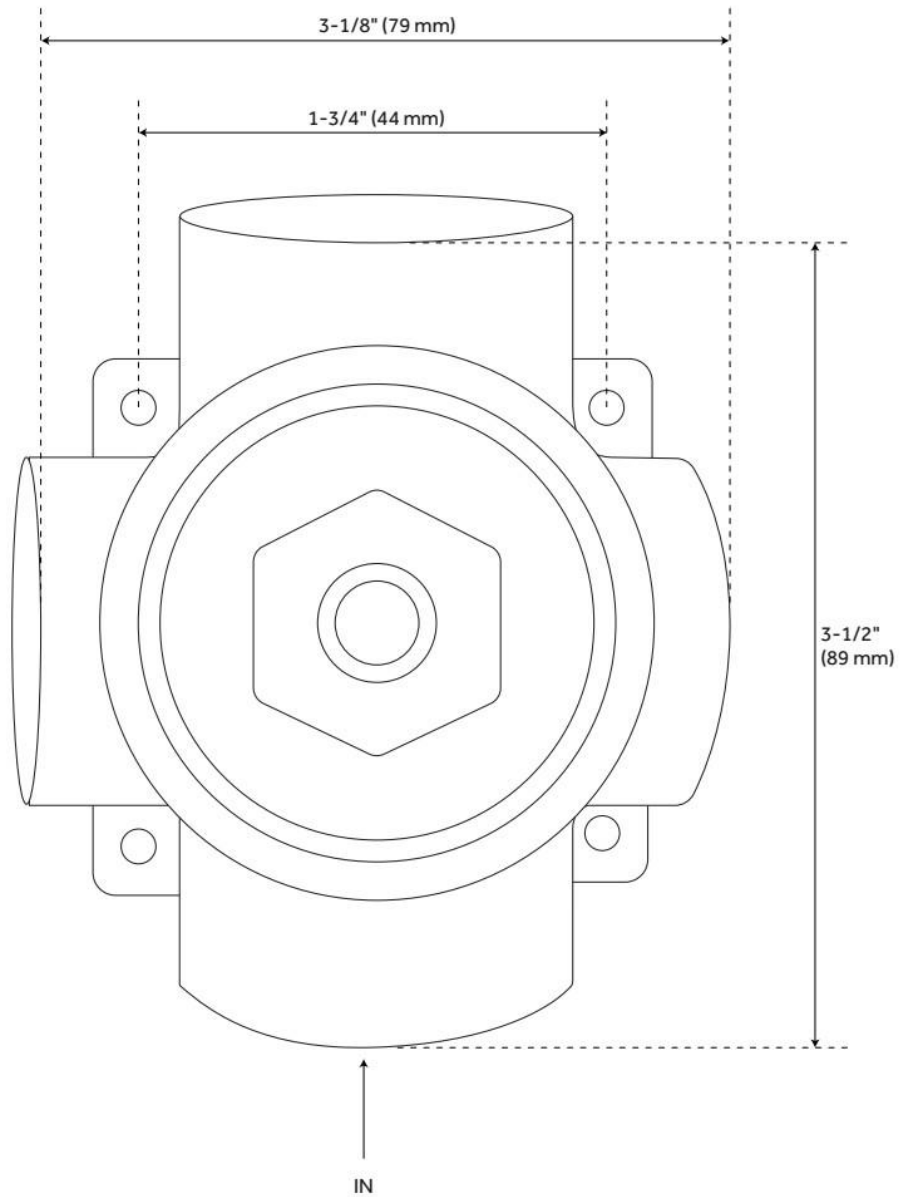
ADDITIONAL FEATURES

- Six total settings allow for shared water flow between outlets, giving you the ability to use two functions at once.
- Ceramic cartridge.
- Available Single-Function Diverter Valve Cartridge restricts water flow to one outlet at a time.
- Not intended as a shut off valve.
- For installations only requiring 2 outlets, the 3rd outlet may be looped into one of the existing pipes.
- Compatible with Boca Raton, Carraway, Edenton, Greyfield, Hibiscus, Key West, Lentz, Pendleton, Pinecrest, Provincetown, Rigi, St. Martin and Vilamonte Diverter Trims.

REVISED 5/23/2024

3-WAY IN-WALL DIVERTER ROUGH-IN VALVE

SKU: 953056
Code: SH6103, SH6101



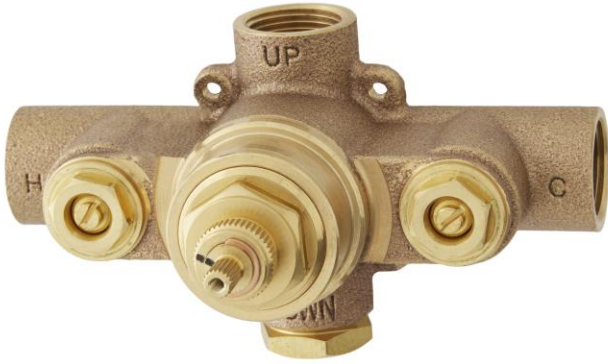
REVISED 5/23/2024

THERMOSTATIC ROUGH-IN SHOWER VALVE

SKU: 948545
Code: SH6004, SH6006

FEATURES

Cartridge Type: Thermostatic



ASME A112.18.1/CSA B125.1, Massachusetts Accepted, LISTED ID: SH6004, SH6006



ADDITIONAL FEATURES

- Compatible with Beasley, Edenton, Greyfield, Hibiscus and Pinecrest, Provincetown and Vilamonte Thermostatic Valve Trim.
- For proper installation, requires use of volume control valve and trim.
- Bronze valve body.
- Factory-calibrated comfort setting at 104 degrees Fahrenheit.
- Water inlet stops and check valve.
- Thermostatic technology keeps shower temperature ± 1 degree Celsius.

REVISED 5/23/2024