

GREYFIELD THERMOSTATIC SHOWER SYSTEM WITH DUAL SHOWERHEADS AND HAND SHOWER

SKU: 953973

Code: SHGF9009, SH6006, SHRSA123, SHRSB820RG (x2), SHHS4110G, SHH1010, SHWES2050, SHGF9005, SH6103, SHGF9007, SH6040, SHRSB820RG



FEATURES

Material: Brass, ABS

Shower Head Swivel: Yes

Shower Head Spray: Rainfall

Shower Head Flow Rate: 1.8 gpm (6.8 L/min) @ 80 psi

Hand Shower Spray: Full, Massage, Massage + Full

Hand Shower Flow Rate: 1.8 gpm (6.8 L/min) @ 80 psi

Connection Type: 3/4" NPT

Diverter Outlets: 3

Cartridge Type: Thermostatic

ASME A112.18.1/CSA B125.1, ASME A112.18.2/CSA B125.2, CEC Listed, WaterSense by IAPMO, Massachusetts Accepted, LISTED ID: SH6103, SHGF9005*, SHHS4110G*, SHH1010*, SHGF9007*, SHGF9009*, SH6006, SH6040, SHRSB820RG*, SHWES2050xy, SHRSA123*



REVISED 10/16/2024

GREYFIELD THERMOSTATIC SHOWER SYSTEM WITH DUAL SHOWERHEADS AND HAND SHOWER

SKU: 953973

Code: SHGF9009, SH6006, SHRSA123, SHRSB820RG (x2), SHHS4110G, SHH1010, SHWES2050, SHGF9005, SH6103, SHGF9007, SH6040, SHRSB820RG

ADDITIONAL FEATURES

Greyfield Thermostatic Valve Trim:

- Metal handle.

- Temperature outlet factory preset to 104 degrees Fahrenheit.

- Temperature can be easily adjusted up and down to user's comfort level.

- Scald guard protection.

- High temperature limit stop.

- Thermostatic technology keeps shower temperature within 1 degree Celsius.

- Wall thickness range: 1" to 1-3/4"

Thermostatic Rough-In Valve - 3/4" Connection:

- Bronze valve body.

- Factory-calibrated comfort setting at 104 degrees Fahrenheit.

- Water inlet stops and check valve.

- Thermostatic technology keeps shower temperature ± 1 degree Celsius.

12" Wall-Mount Rainfall Shower Arm:

- Solid brass construction.

- Escutcheon included.

- 8" Modern Round Rainfall Shower Head - 1.8 GPM:

- Single function shower head (full spray).

- Easy clean rubber nozzles.

- Brass ball joint.

Round Paddle Multifunction Hand Shower :

- 3 function hand shower (full spray, massage spray, full & massage spray).

- Easy-clean spray nozzles.

- Factory installed backflow prevention check valve.

60" Stretchable Metal Hand Shower Hose:

- Double spiral constructed hose.

Swivel Water Supply Elbow and Bracket for Hand Shower:

- 1/2" Female wall connection.

- 1/2" Male hose connection.

- Brass inlet/outlet, ABS body.

Greyfield In-Wall shower Diverter Trim :

- Metal handle.

- Metal Escutcheon.

3-Way In-Wall Diverter Rough-In Valve - 3/4":

- For installations only requiring 2 outlets, the 3rd outlet may be looped into one of the existing pipes.

Beasley In-Wall Shower Volume Control Trim :

- Overall Projection: 3-7/8".

- Wall thickness range: 1" to 1-3/4".

Volume Control Rough-In Valve:

- Intended for use with a thermostatic valve and trim.

- Bronze valve body.

REVISED 10/16/2024

GREYFIELD IN-WALL SHOWER VOLUME CONTROL HANDLE

SKU: 948555

Code: SHGF9004, SHGF9007, SH6020, SH6040, SHGF9007,SH6040, SHGF9007,SH6020, SHGF9005, SHGF9002, SHGF9003, SHGF9006



FEATURES

Material: Brass

Required for Installation: Rough-in valve: SH6020 or SH6040

ASME A112.18.1/CSA B125.1, ICC/ANSI A117.1, Massachusetts Accepted, LISTED ID: SHGF9007*, SH6020, SH6040



ADDITIONAL FEATURES

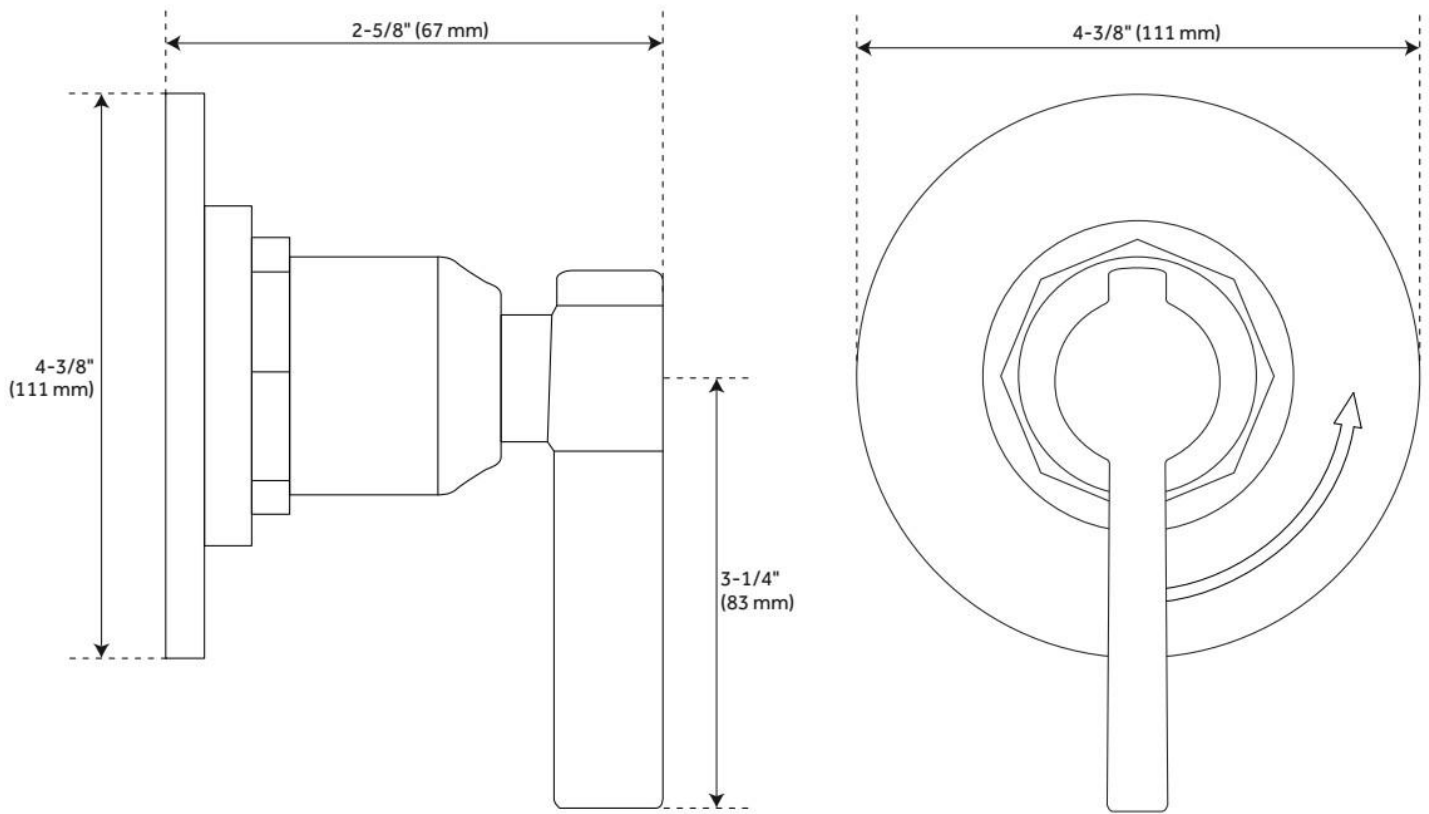
- Metal handle.
- Wall thickness range: 1" to 1-3/4"
- For proper installation, requires use of a thermostatic valve and trim.
- Optional Rough-in Valve:
 - Brass valve body.
 - Ceramic cartridge.
 - Recommended valve installation depth 1-5/8" to 2-3/8"

REVISED 6/7/2024

GREYFIELD IN-WALL SHOWER VOLUME CONTROL HANDLE

SKU: 948555

Code: SHGF9004, SHGF9007, SH6020, SH6040, SHGF9007,SH6040, SHGF9007,SH6020, SHGF9005, SHGF9002, SHGF9003, SHGF9006



REVISED 6/7/2024

GREYFIELD THERMOSTATIC SHOWER VALVE

SKU: 948556

Code: SHGF9009, SH6004, SH6006, SHGF9009, SH6004, SHGF9009, SH6006



FEATURES

Material: Brass

Cartridge Type: Thermostatic

Required for Installation: Rough-in valve: SH6006 or SH6004

ASME A112.18.1/CSA B125.1, Massachusetts Accepted, LISTED ID: SHGF9009*, SH6004, SH6006



ADDITIONAL FEATURES

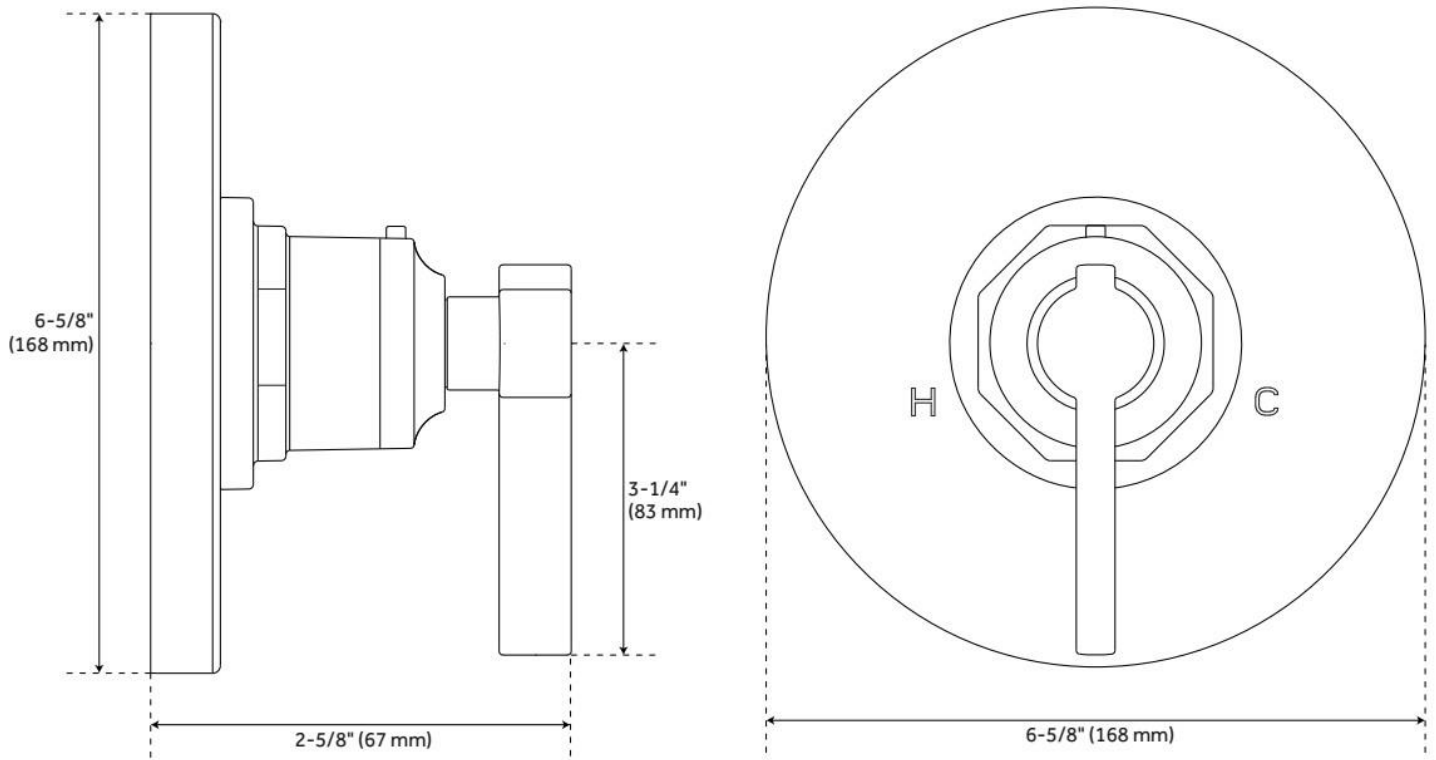
- Metal handle.
- Temperature outlet factory preset to 104 degrees Fahrenheit.
- Temperature can be easily adjusted up and down to user's comfort level.
- Scald guard protection.
- High temperature limit stop.
- Thermostatic technology keeps shower temperature within 1 degree Celsius.
- For proper installation, requires use of volume control valve and trim.
- Wall thickness range: 1" to 1-3/4"
- Optional Rough-in Valve:
 - Bronze valve body.
 - Ceramic cartridge.
 - Integral water stops and check valve.
 - Recommended valve installation depth 1-5/8" to 2-3/8"

REVISED 6/7/2024

GREYFIELD THERMOSTATIC SHOWER VALVE

SKU: 948556

Code: SHGF9009, SH6004, SH6006, SHGF9009, SH6004, SHGF9009, SH6006



REVISED 6/7/2024

GREYFIELD IN-WALL SHOWER DIVERTER

SKU: 948901

Code: SHGF9005, SH6103, SH484199, SH484198, SH485517, SH485516



FEATURES

Material: Brass

ASME A112.18.1/CSA B125.1, ASME A112.18.2/CSA B125.2, ICC/ANSI A117.1, Massachusetts Accepted, LISTED ID: SH6103, SHGF9005*



ADDITIONAL FEATURES

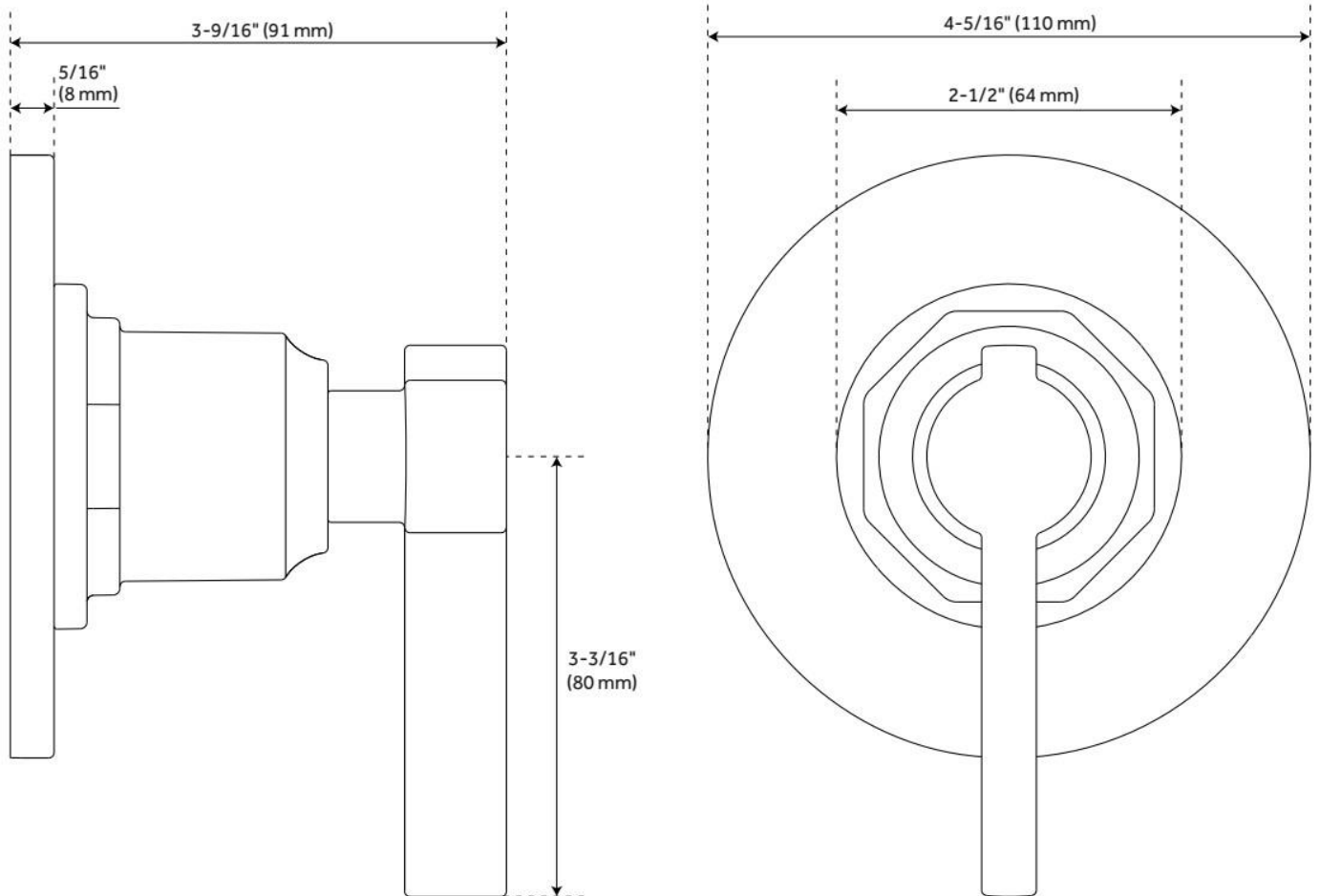
- Metal handle.
- Metal Escutcheon.
- Not intended as a shut off valve.
- Six total settings allow for shared water flow between outlets, giving you the ability to use two functions at once.
- Optional Rough-in Valve:
 - Available Single-Function Diverter Valve Cartridge restricts water flow to one outlet at a time.
 - Brass valve body.
 - Ceramic cartridge.
 - Must be installed in accordance with provided installation instructions.

REVISED 5/29/2024

GREYFIELD IN-WALL SHOWER DIVERTER

SKU: 948901

Code: SHGF9005, SH6103, SH484199, SH484198, SH485517, SH485516



REVISED 5/29/2024

8" MODERN ROUND RAINFALL SHOWER HEAD - 1.75 GPM

SKU: 948948-18

Code: SHRSB820RG, SH484203, SH485499, SHRSB820RGPB



FEATURES

Material: ABS

Shower Head Swivel: Yes

Flow Rate: 1.75 gpm (6.6 L/min) @ 80 psi

ASME A112.18.1/CSA B125.1, CEC Listed, WaterSense by IAPMO, Massachusetts Accepted, LISTED ID:
SHRSB820RG*

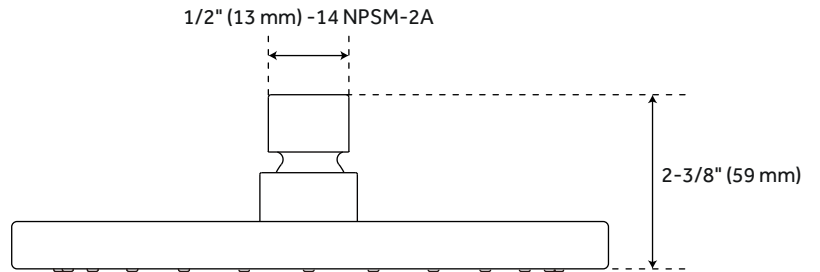
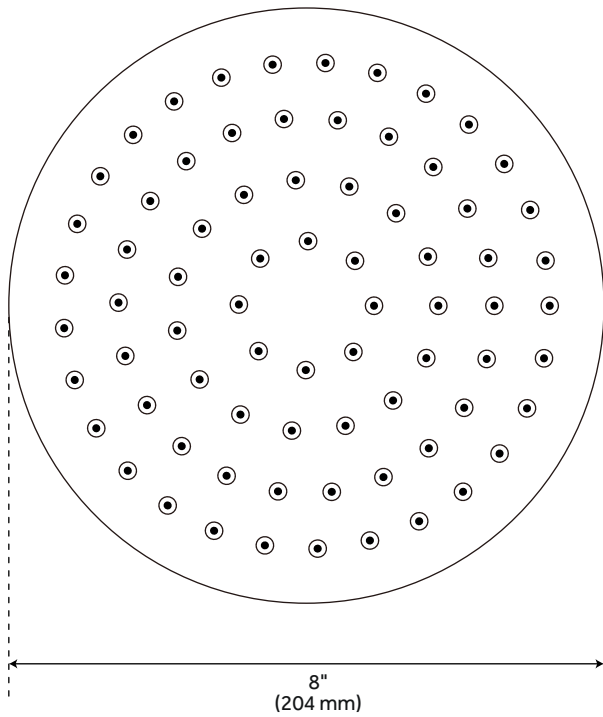


ADDITIONAL FEATURES

- Single function shower head (full spray).
- Easy clean rubber nozzles.
- Brass ball joint.

REVISED 11/22/2024

8" MODERN ROUND RAINFALL SHOWER HEAD - 1.75 GPM



All dimensions and specifications are nominal and may vary. Use actual products for accuracy in critical situations.

WALL-MOUNT RAINFALL SHOWER ARM

SKU: 948955

Code: SHRSA123, SHRSA181, SH485514, SHRSA150

FEATURES

Material: Stainless Steel

Connection Type: 1/2" NPT



ASME A112.18.1/CSA B125.1, Massachusetts Accepted, LISTED ID: SHRSA123*, SHRSA181*, SHRSA150*



ADDITIONAL FEATURES

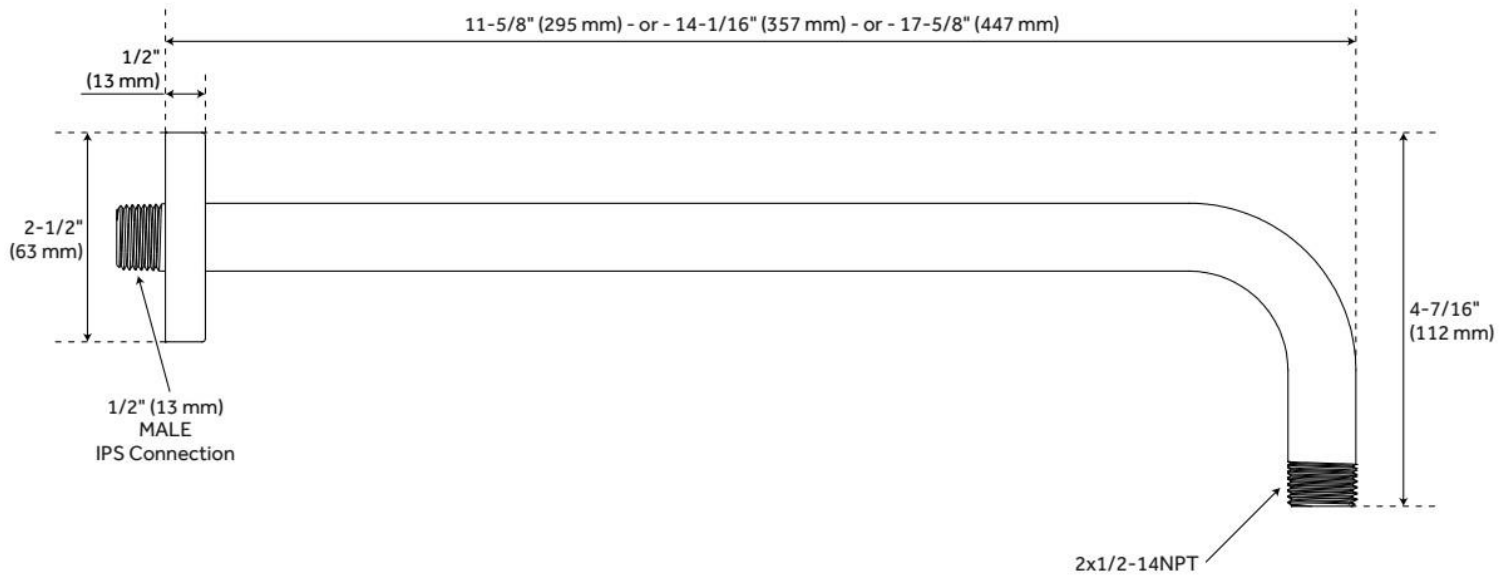
- All dimensions are ($\pm 1/2"$).
- Escutcheon included.

REVISED 6/10/2024

WALL-MOUNT RAINFALL SHOWER ARM

SKU: 948955

Code: SHRSA123, SHRSA181, SH485514, SHRSA150



REVISED 6/10/2024

ROUND PADDLE MULTIFUNCTION HAND SHOWER

SKU: 948920

Code: SHHS4110G, SH484202, SH485498

FEATURES

Material: ABS

Hand Shower Spray: Full

Hand Shower Flow Rate: 1.8 gpm (6.8 L/min) @ 80 psi



ASME A112.18.1/CSA B125.1, CEC Listed, WaterSense by IAPMO, Massachusetts Accepted, LISTED ID: SHHS4110G*



ADDITIONAL FEATURES

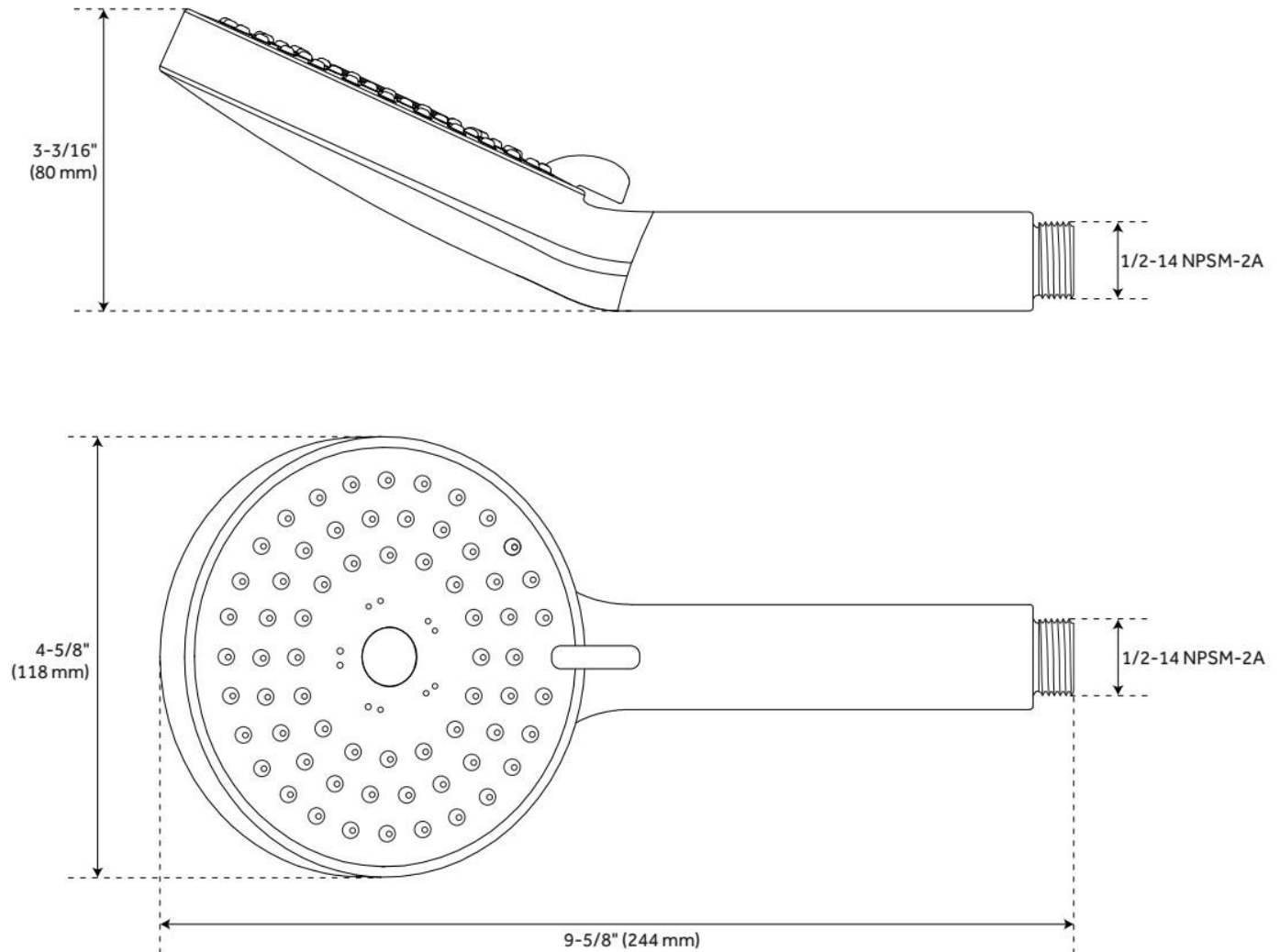
- 3 function hand shower (full spray, massage spray, full & massage spray).
- Easy-clean spray nozzles.
- Factory installed backflow prevention check valve.
- Hose sold separately.

REVISED 6/10/2024

ROUND PADDLE MULTIFUNCTION HAND SHOWER

SKU: 948920

Code: SHHS4110G, SH484202, SH485498



REVISED 6/10/2024

SWIVEL WATER SUPPLY ELBOW AND BRACKET FOR HAND SHOWER

SKU: 948936

Code: SHWES2050, SH485446, SH485535

FEATURES

Material: Metal, ABS

Connection Type: 1/2" NPT



ASME A112.18.1/CSA B125.1, LISTED ID: SHWES2050xy



ADDITIONAL FEATURES

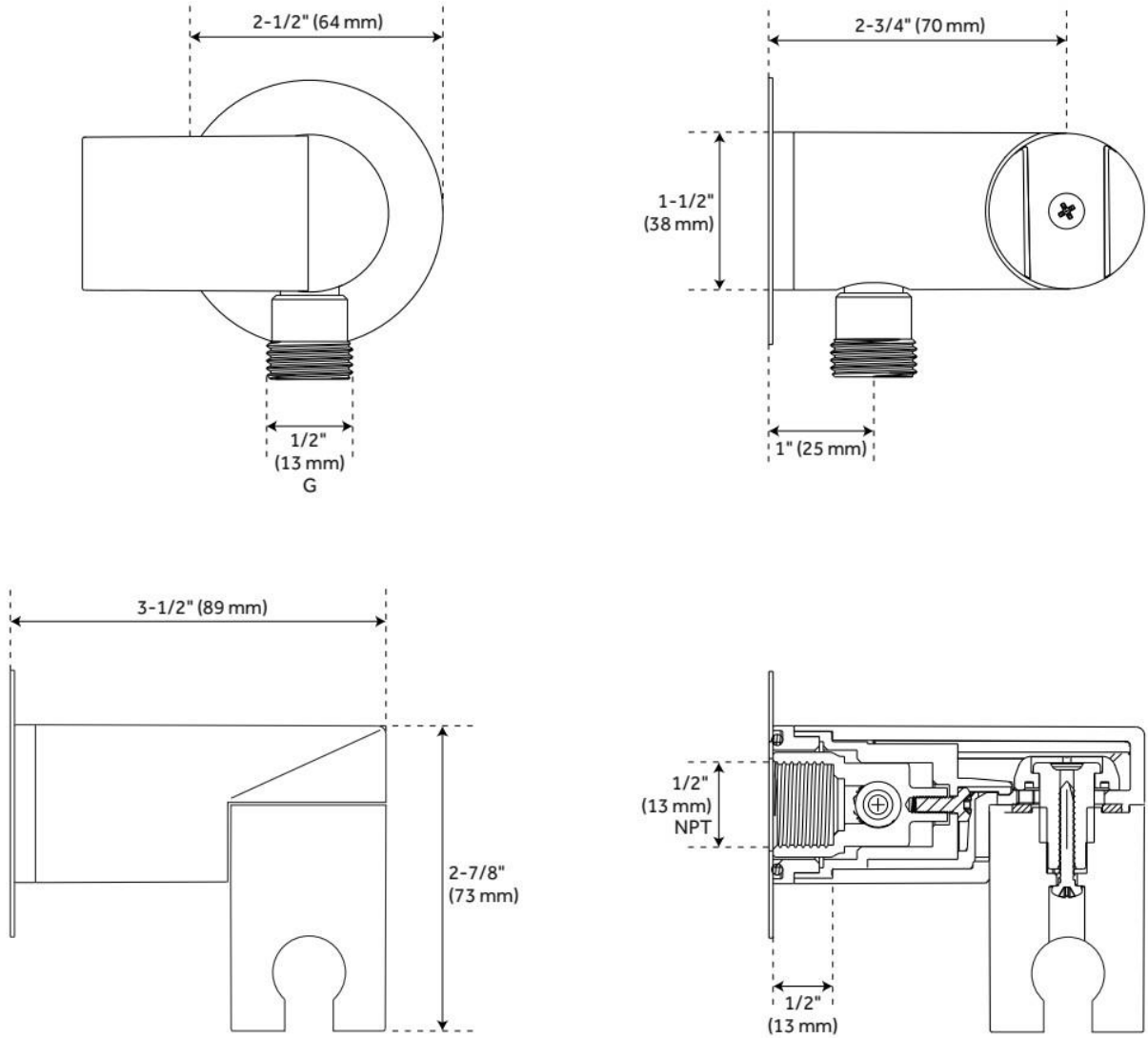
- 1/2" Female wall connection.
- 1/2" Male hose connection.
- Brass inlet/outlet, ABS body.

REVISED 10/8/2024

SWIVEL WATER SUPPLY ELBOW AND BRACKET FOR HAND SHOWER

SKU: 948936

Code: SHWES2050, SH485446, SH485535



REVISED 10/8/2024

60" STRETCHABLE METAL HAND SHOWER HOSE

SKU: 948938

Code: SHH1010, SH484205, SH485500, SHH1010PB

FEATURES

Connection Type: 1/2" IPS



ASME A112.18.1/CSA B125.1, Massachusetts Accepted, LISTED ID: SHH1010*



ADDITIONAL FEATURES

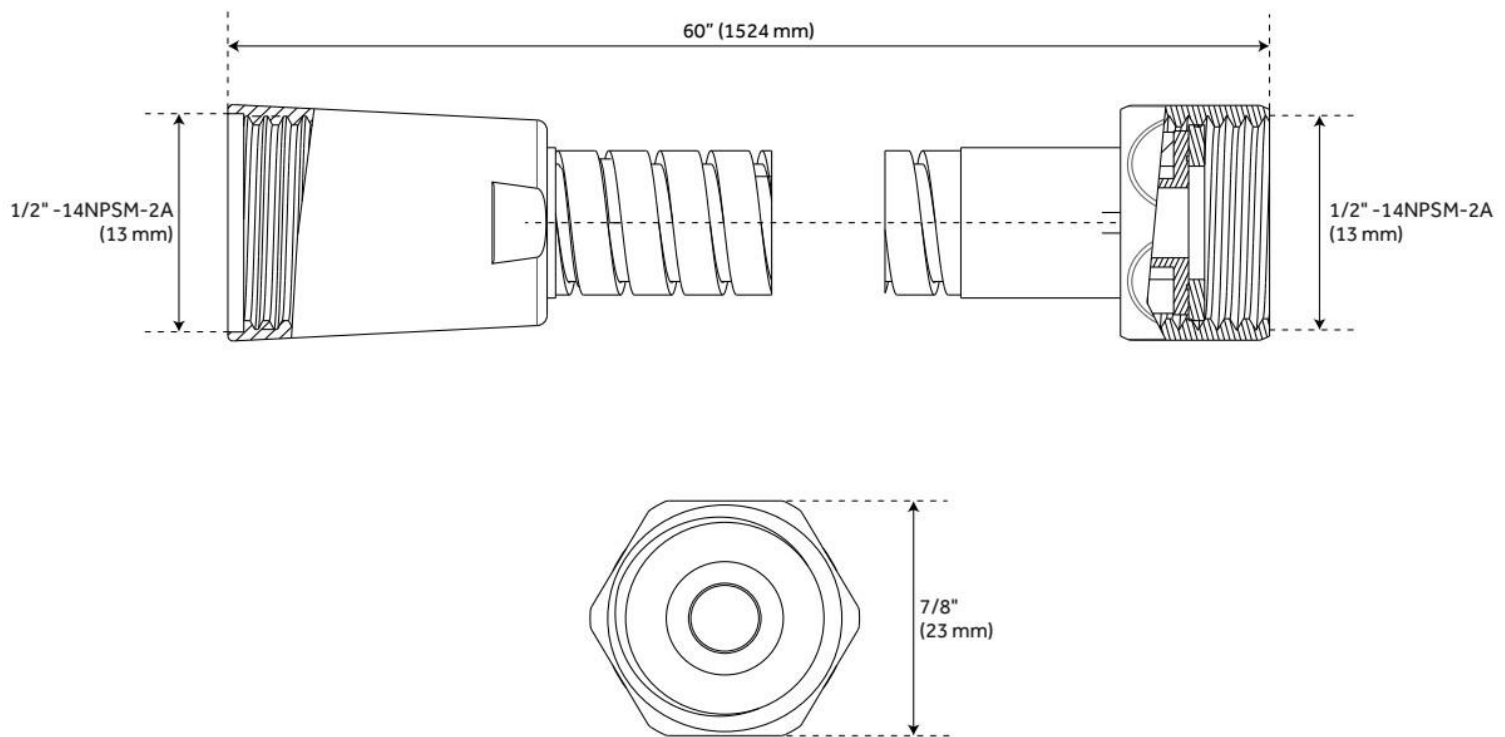
- 60" - 72" stretchable metal shower hose.
- Double spiral construction.
- Metal conical nut.

REVISED 5/24/2024

60" STRETCHABLE METAL HAND SHOWER HOSE

SKU: 948938

Code: SHH1010, SH484205, SH485500, SHH1010PB



REVISED 5/24/2024

3-WAY IN-WALL DIVERTER ROUGH-IN VALVE - 3/4"

SKU: 446519
Code: SH6103

FEATURES

Material: Brass
Cartridge Type: Ceramic Disc



IAPMO, ASME A112.18.1/CSA B125.1, ASME A112.18.2/CSA B125.2, Massachusetts Accepted, LISTED ID: SH6103



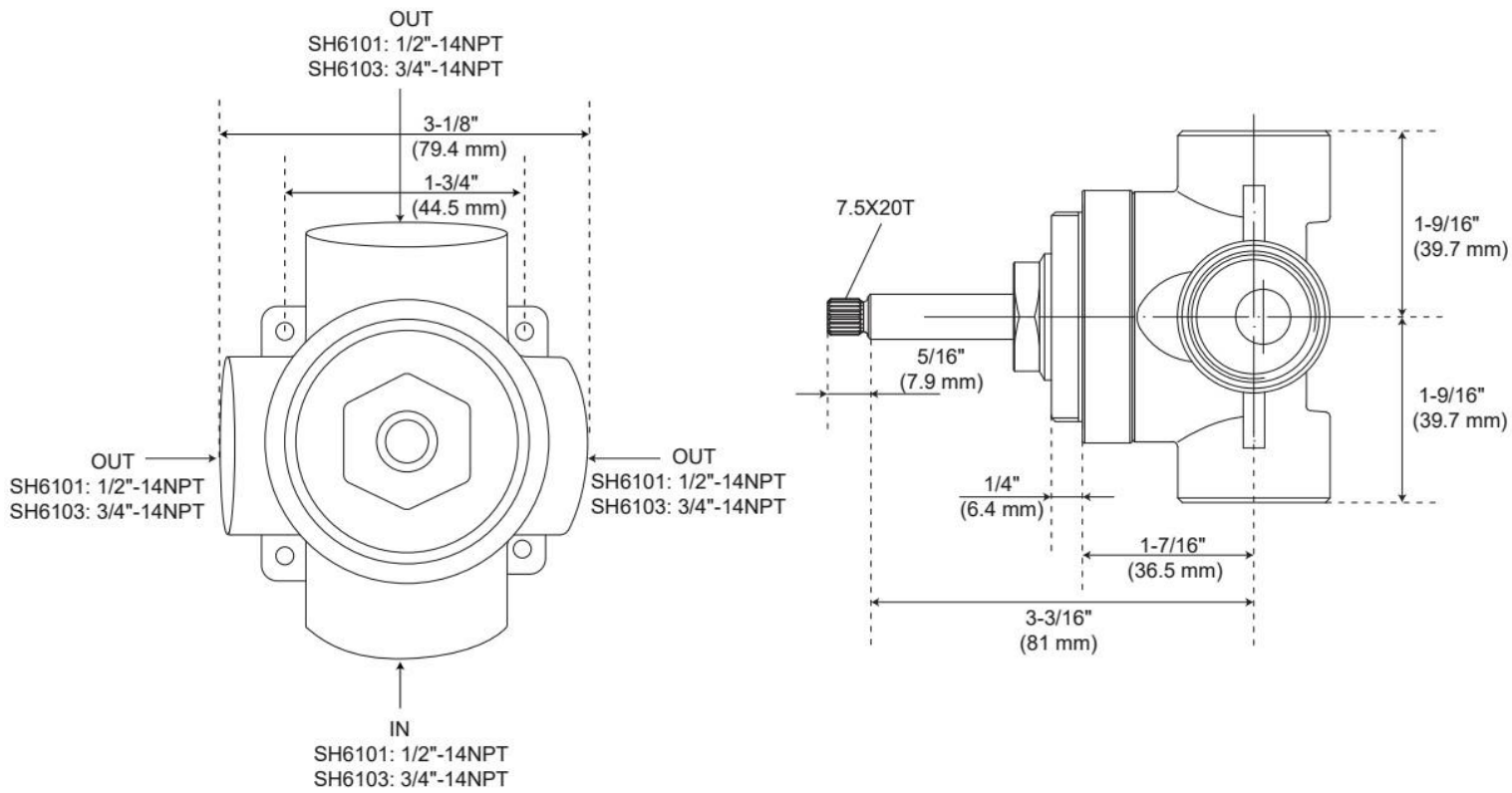
ADDITIONAL FEATURES

- Six total settings allow for shared water flow between outlets, giving you the ability to use two functions at once.
- Ceramic cartridge.
- Available Single-Function Diverter Valve Cartridge restricts water flow to one outlet at a time.
- Not intended as a shut off valve.
- For installations only requiring 2 outlets, the 3rd outlet may be looped into one of the existing pipes.
- Compatible with Beasley, Berwyn, Boca Raton, Drea, Edenton, Elita, Greyfield, Gunther, Hibiscus, Key West, Lentz, Lexia, Pendleton, Pinecrest, Provincetown, Rigi, Sefina, Vassor and Vilamonte Diverter Trims.

REVISED 10/14/2024

3-WAY IN-WALL DIVERTER ROUGH-IN VALVE - 3/4"

SKU: 446519
Code: SH6103



REVISED 10/14/2024

VOLUME CONTROL ROUGH-IN VALVE

SKU: 948546

Code: SH6020, SH6040



ASME A112.18.1/CSA B125.1, Massachusetts Accepted, LISTED ID: SH6020, SH6040



ADDITIONAL FEATURES

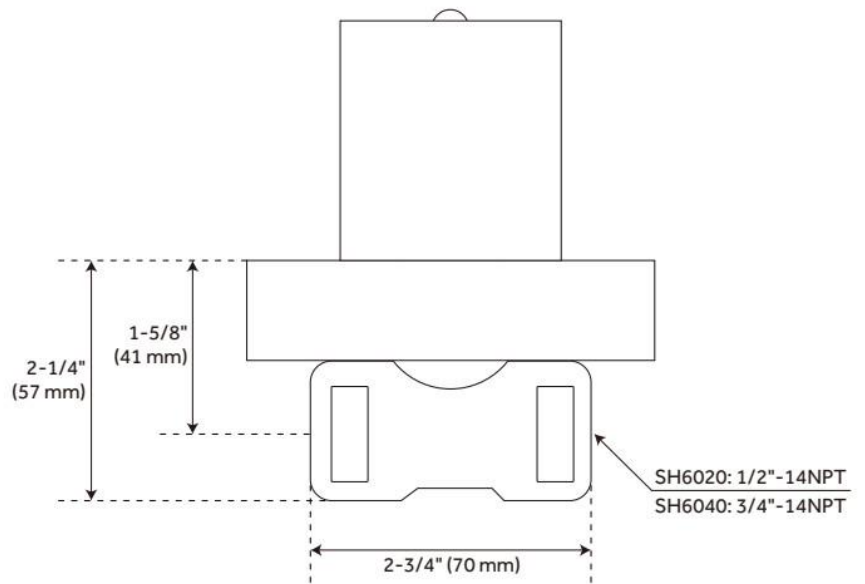
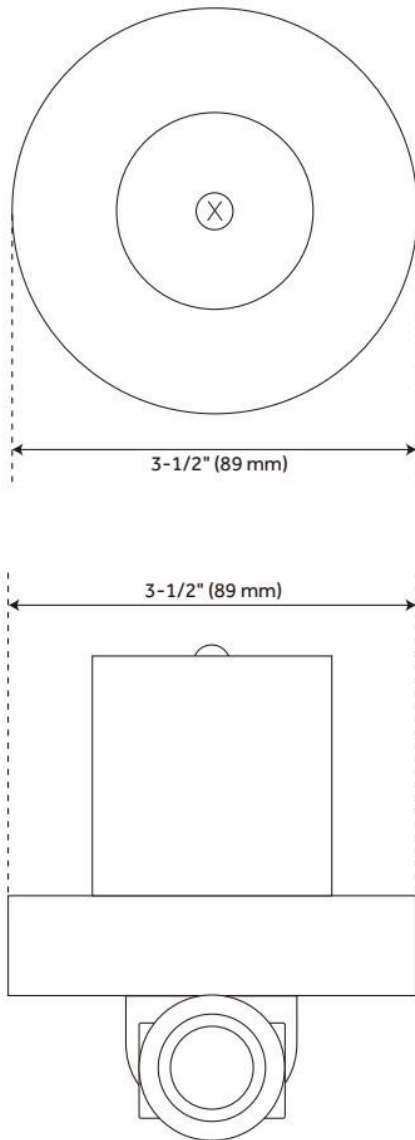
- Intended for use with a thermostatic valve and trim.
- Bronze valve body.
- Ceramic cartridge.
- Compatible with Beasley, Berwyn, Boca Raton, Drea, Edenton, Elita, Greyfield, Gunther, Hibiscus, Key West, Lentz, Lexia, Pendleton, Pinecrest, Provincetown, Rigi, Sefina, Vassor and Vilamonte Volume Control Trims.

REVISED 11/22/2024

VOLUME CONTROL ROUGH-IN VALVE

SKU: 948546

Code: SH6020, SH6040



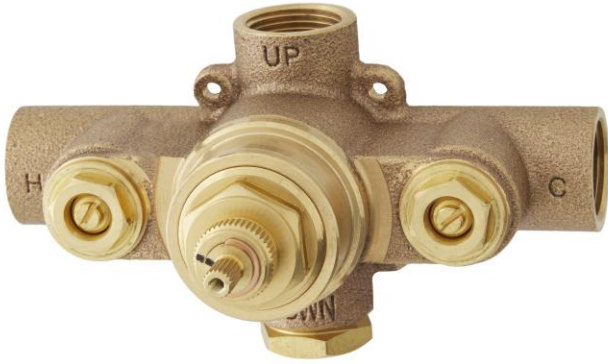
REVISED 11/22/2024

THERMOSTATIC ROUGH-IN SHOWER VALVE

SKU: 948545
Code: SH6004, SH6006

FEATURES

Cartridge Type: Thermostatic



ASME A112.18.1/CSA B125.1, Massachusetts Accepted, LISTED ID: SH6004, SH6006



ADDITIONAL FEATURES

- Compatible with Beasley, Berwyn, Boca Raton, Drea, Edenton, Elita, Greyfield, Gunther, Hibiscus, Key West, Lentz, Lexia, Pendleton, Pinecrest, Provincetown, Rigi, Sefina, Vassor and Vilamonte Thermostatic Valve Trim.
- For proper installation, requires use of volume control valve and trim.
- Bronze valve body.
- Factory-calibrated comfort setting at 104 degrees Fahrenheit.
- Water inlet stops and check valve.
- Thermostatic technology keeps shower temperature ± 1 degree Celsius.

REVISED 6/3/2024