

# VASSOR SINGLE-HOLE BATHROOM FAUCET

SKU: 953796

Code: SHWSCVA107, SH488903



## FEATURES

Installation Type: Single-Hole  
Features: Gooseneck  
Design: Modern  
Material: Metal  
Length: 5-3/8"  
Width: 6-15/16"  
Height: 9-3/8"  
Base Plate Diameter: 2"  
Assembly Required: Yes  
Faucet Centers: Single-Hole  
Fits Drain Hole Size: 1-1/2"  
Drain Included: Yes  
Faucet Material: Metal  
Handle Type: Cross  
Handle Length: 2-1/4"  
Flow Rate: 1.2 gpm (4.5L/min) @ 60 psi  
Max. Countertop Thickness: 2-9/16"  
Height To Spout: 5-3/4"  
Spout Reach: 5-1/2"  
Swivel Spout: No  
Handle Height: 1-3/4"  
Ceramic Disc Cartridges: Yes  
Hot and Cold Indicators: No  
Handle Material: Metal

ASME A112.18.1/CSA B125.1

NSF/ANSI 372

NSF/ANSI 61

NSF/ANSI/CAN 61

ICC/ANSI A117.1

CEC Listed

CALGreen

WaterSense by IAPMO

Massachusetts Accepted

LISTED ID: SHWSCVA107\*



REVISED 1/22/2024

# VASSOR SINGLE-HOLE BATHROOM FAUCET

SKU: 953796

Code: SHWSCVA107, SH488903

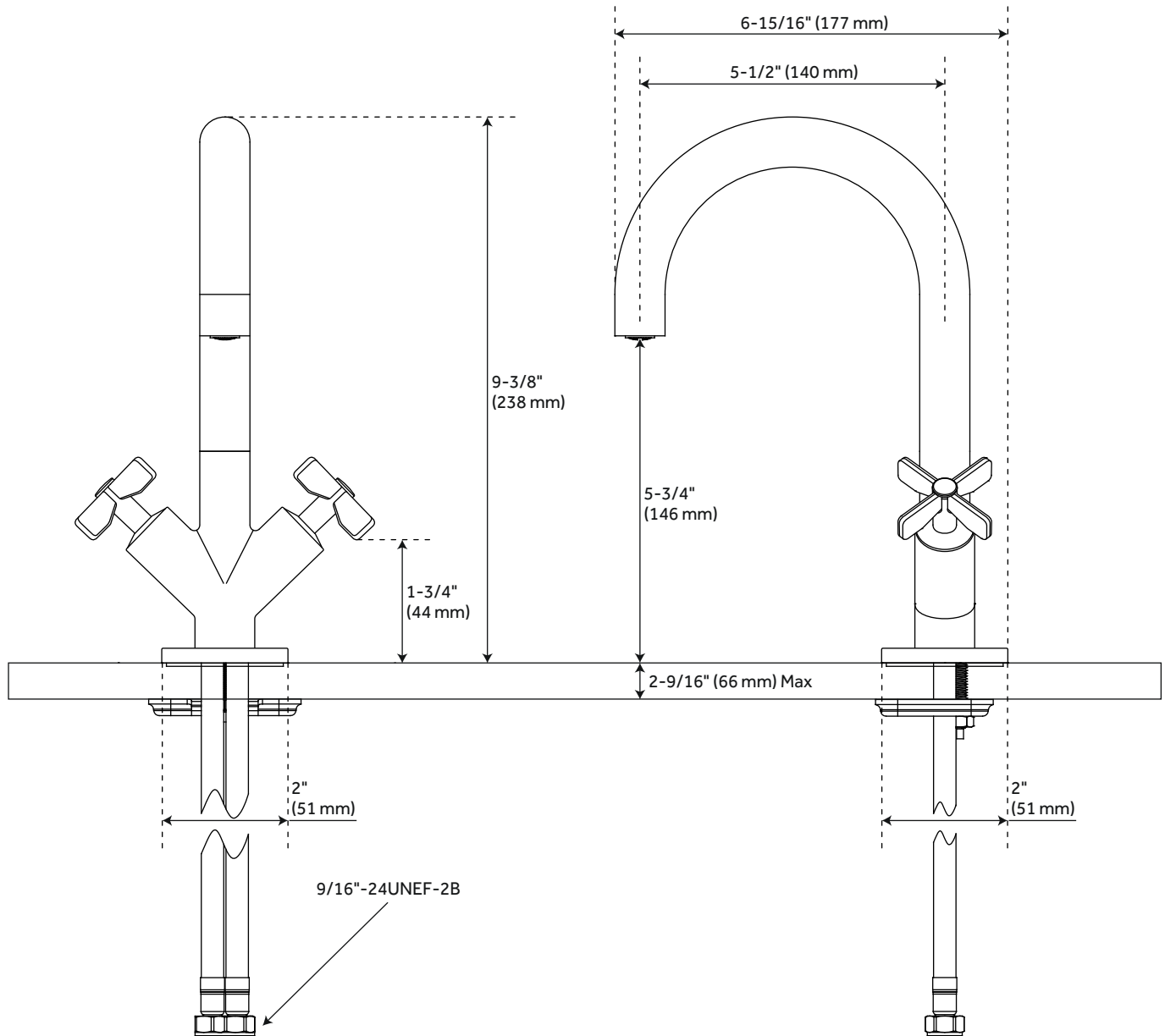


## ADDITIONAL FEATURES

- Included deck plate converts faucet from a single-hole installation to a 4" centerset spread.
- Push-activated brass pop-up overflow drain assembly.
- Metal construction for ultimate strength and durability.

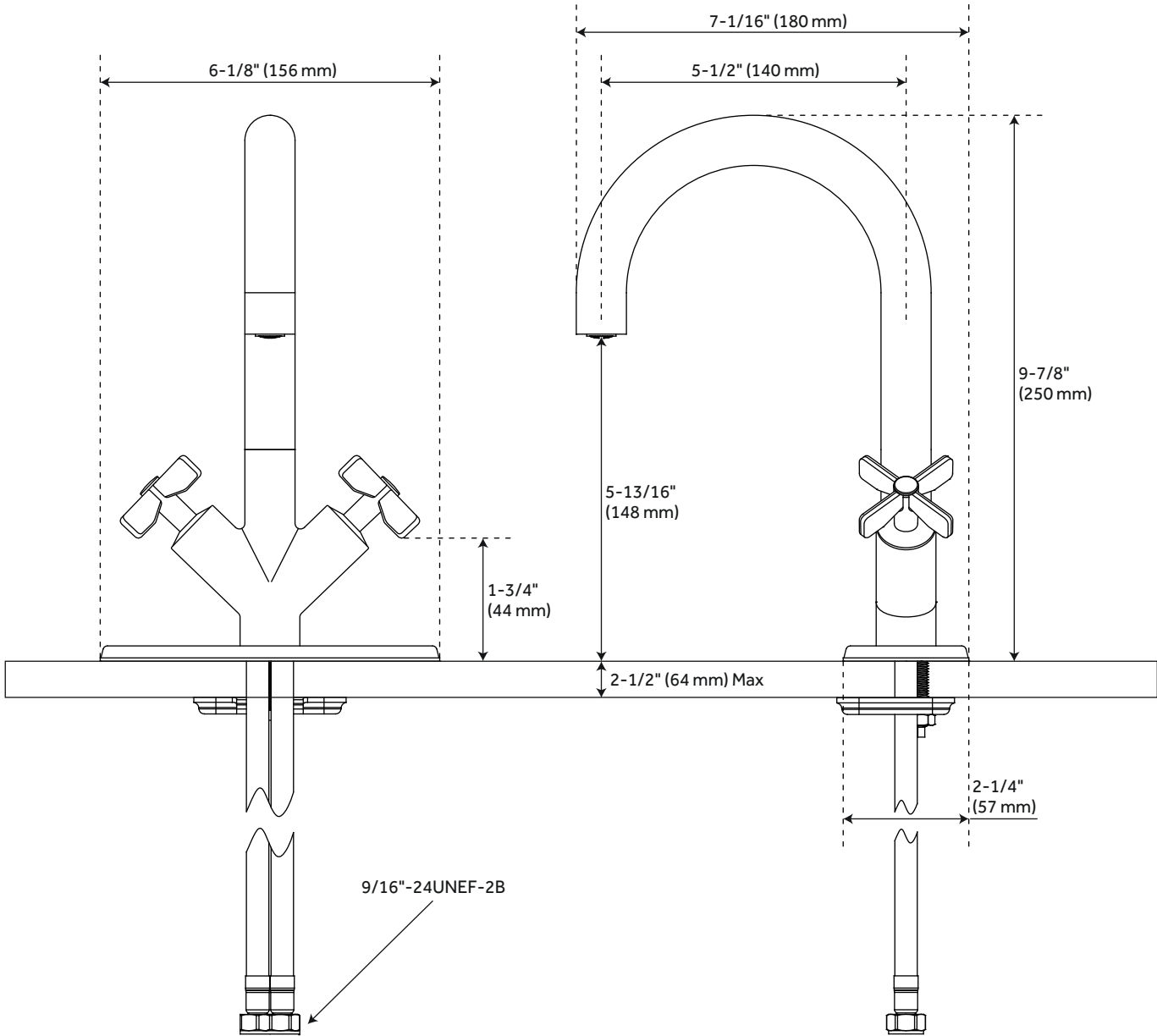
REVISED 1/22/2024

# VASSOR SINGLE-HOLE BATHROOM FAUCET



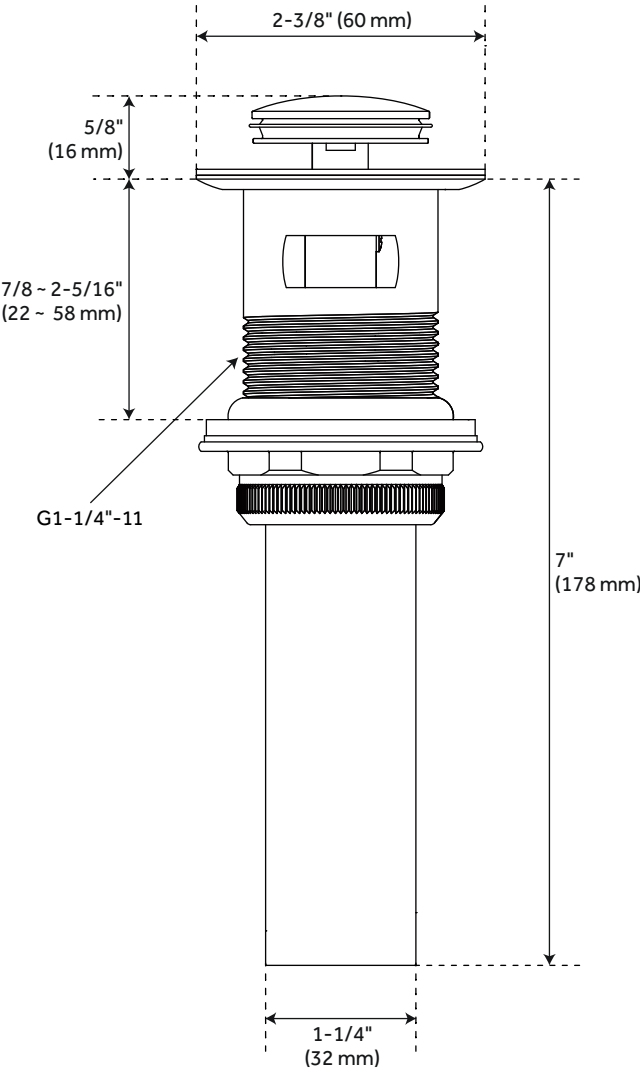
All dimensions and specifications are nominal and may vary. Use actual products for accuracy in critical situations.

# VASSOR SINGLE-HOLE BATHROOM FAUCET WITH DECK PLATE



All dimensions and specifications are nominal and may vary. Use actual products for accuracy in critical situations.

# VASSOR SINGLE-HOLE BATHROOM FAUCET POP-UP DRAIN



All dimensions and specifications are nominal and may vary. Use actual products for accuracy in critical situations.