

VASSOR WIDESPREAD BATHROOM FAUCET

SKU: 953797

Code: SHWSCVA807, SH488904



FEATURES

Material: Metal construction for strength and durability

Installation Type: Widespread

Connection Type: MIP

Flow Rate: 1.2 gpm (4.5 L/min) @ 60 psi

Cartridge Type: Ceramic Disc

Swivel Spout: No

Drain Type: Metal push-pop with overflow

ASME A112.18.1/CSA B125.1, NSF/ANSI 372, NSF/ANSI 61, NSF/ANSI/CAN 61, NSF/ANSI/CAN 61-9:Q≤1, ICC/ANSI A117.1, CEC Listed, CALGreen, WaterSense by IAPMO, Massachusetts Accepted, LISTED ID: SHWSCVA107*



ADDITIONAL FEATURES

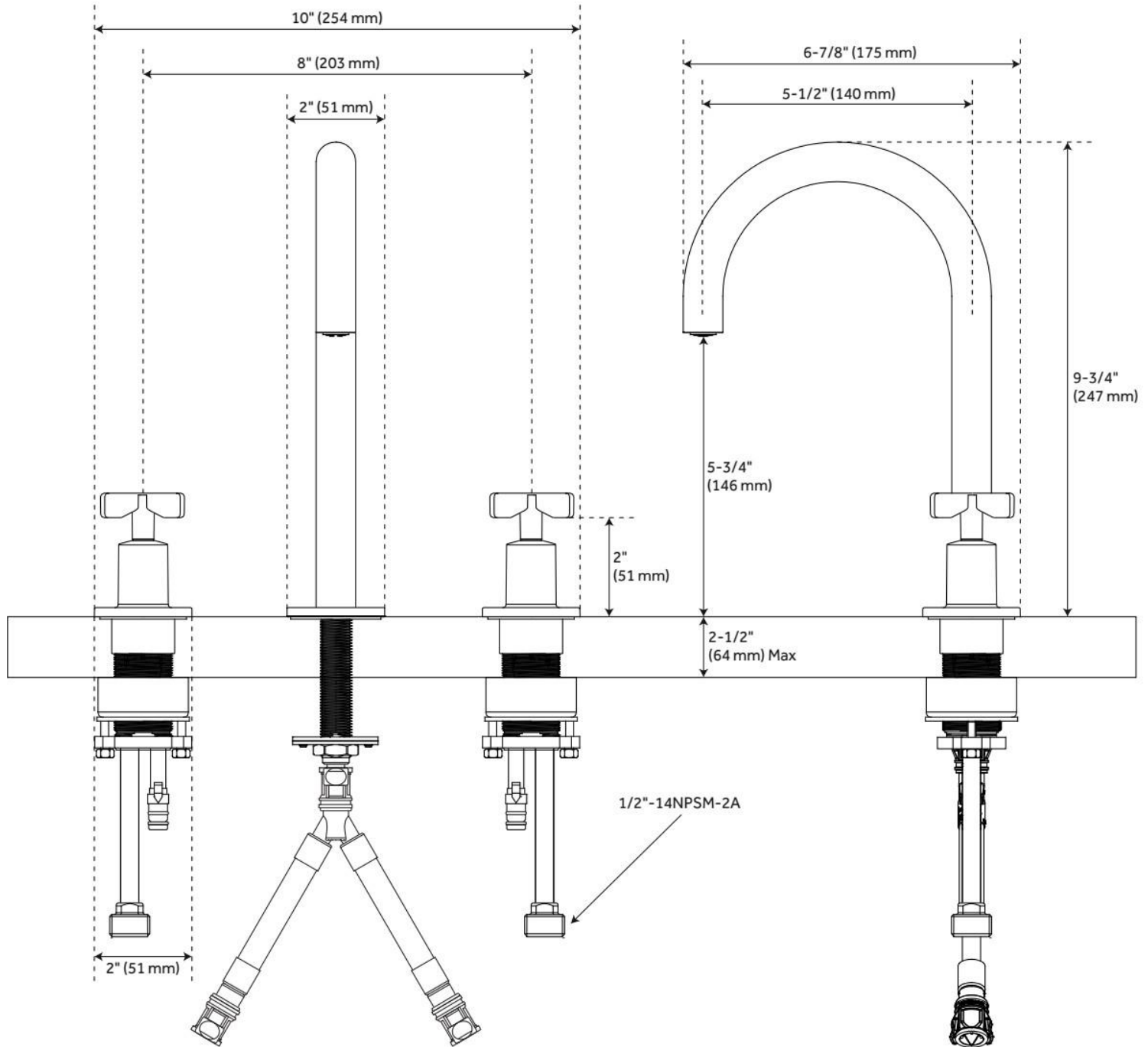
- Push-activated brass pop-up overflow drain assembly.

REVISED 5/21/2024

VASSOR WIDESPREAD BATHROOM FAUCET

SKU: 953797

Code: SHWSCVA807, SH488904



REVISED 5/21/2024

