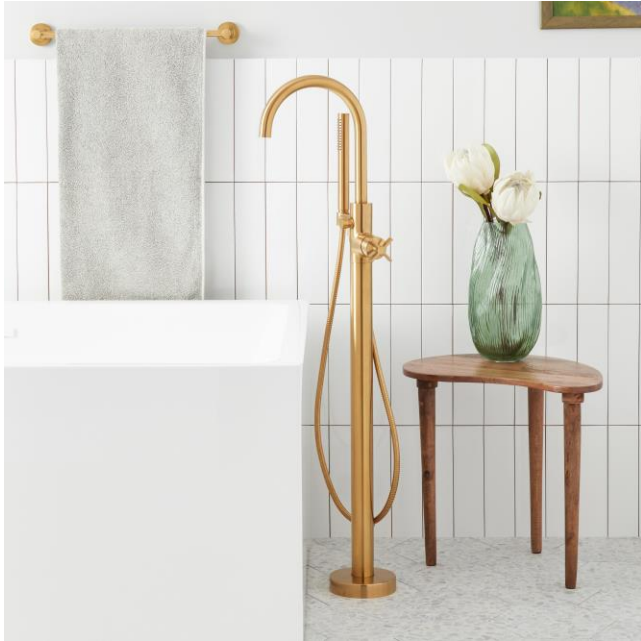


VASSOR FREESTANDING TUB FAUCET WITH HAND SHOWER

SKU: 953798

Code: SHVAFS2000G, SHFSR2000, SHFSR2000WS, SH488905, SH488943, SH488944



FEATURES

Material: Metal construction for strength and durability

Installation Type: Freestanding

Flow Rate: 9.2 gpm (34.83 L/min) @ 60 psi

Spray Type: Full

Cartridge Type: Ceramic Disc

Swivel Spout: No

Required for Installation: Rough-in valve: SHFSR2000 or SHFSR2000WS

ASME A112.18.1/CSA B125.1, CEC Listed, WaterSense by IAPMO, Massachusetts Accepted, LISTED ID: SHVAFS2000G*, SHFSR2000, SHFSR2000WS



ADDITIONAL FEATURES

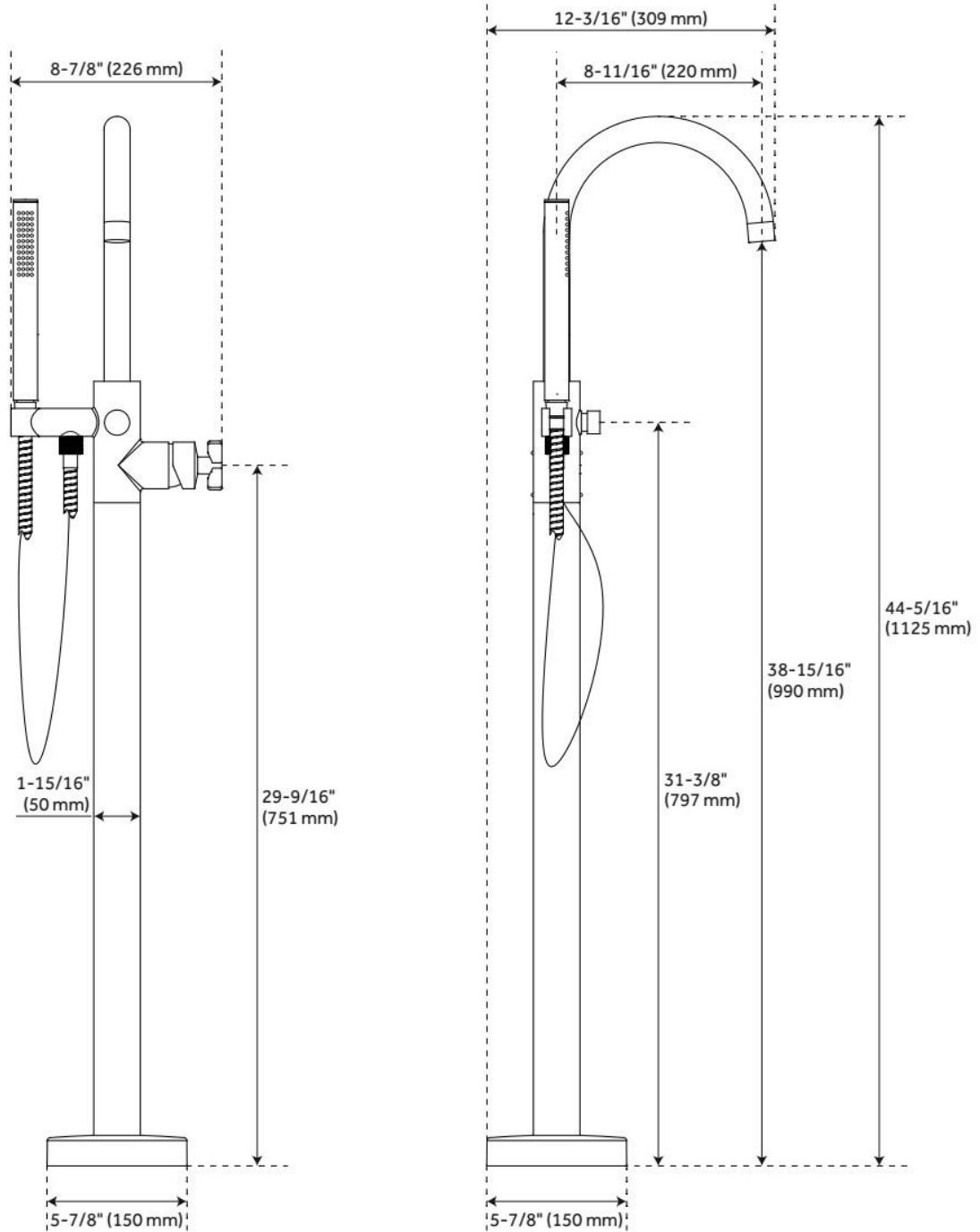
- Hand shower includes factory installed backflow prevention check valve.
- Integral diverter to hand shower.

REVISED 5/21/2024

VASSOR FREESTANDING TUB FAUCET WITH HAND SHOWER

SKU: 953798

Code: SHVAFS2000G, SHFSR2000, SHFSR2000WS, SH488905, SH488943, SH488944



REVISED 5/21/2024

FREESTANDING TUB FAUCET ROUGH-IN VALVE WITH STOPS

SKU: 448006
Code: SHFSR2000WS

FEATURES

Material: Metal construction for strength and durability



ASME A112.18.1/CSA B125.1, Massachusetts Accepted, LISTED ID: SHFSR2000WS



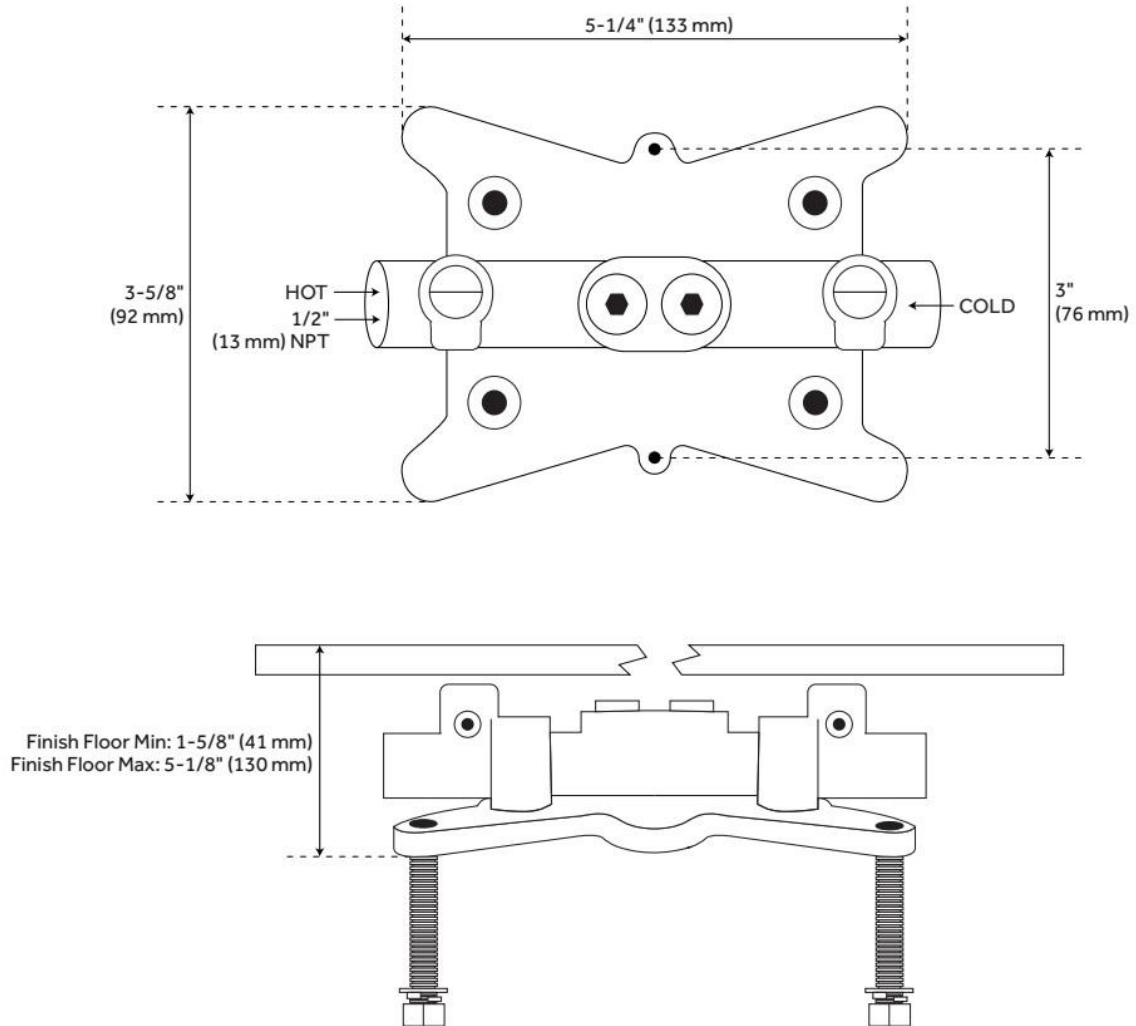
ADDITIONAL FEATURES

- Not compatible with the Ryle, Napier, Keswick, Cooper, and Cybelle Freestanding Tub Faucets.

REVISED 5/13/2024

FREESTANDING TUB FAUCET ROUGH-IN VALVE WITH STOPS

SKU: 448006
Code: SHFSR2000WS



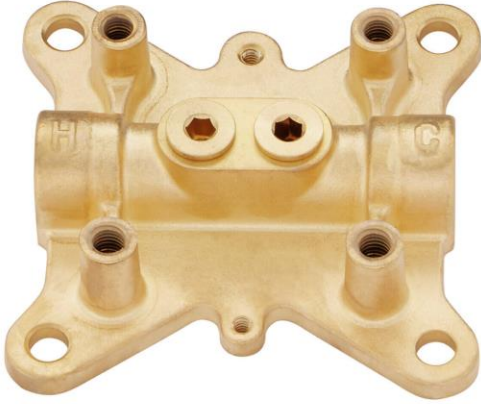
REVISED 5/13/2024

FREESTANDING TUB FAUCET ROUGH-IN VALVE

SKU: 446521
Code: SHFSR2000

FEATURES

Material: Metal construction for strength and durability



ASME A112.18.1/CSA B125.1, Massachusetts Accepted, LISTED ID: SHFSR2000



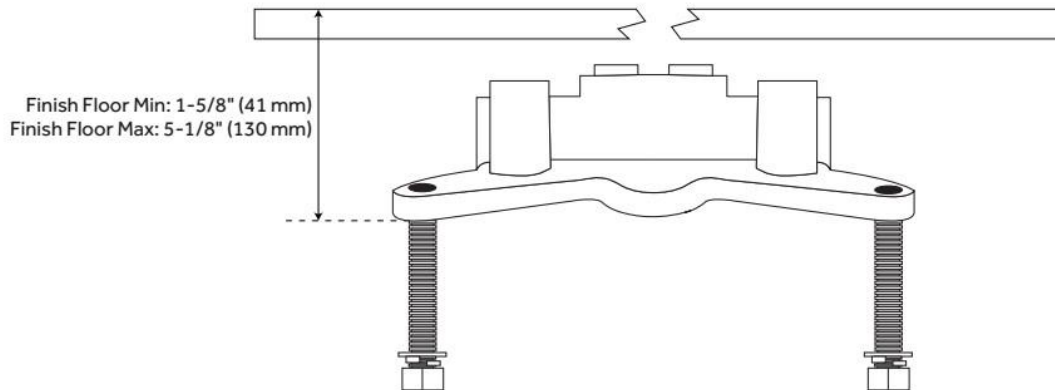
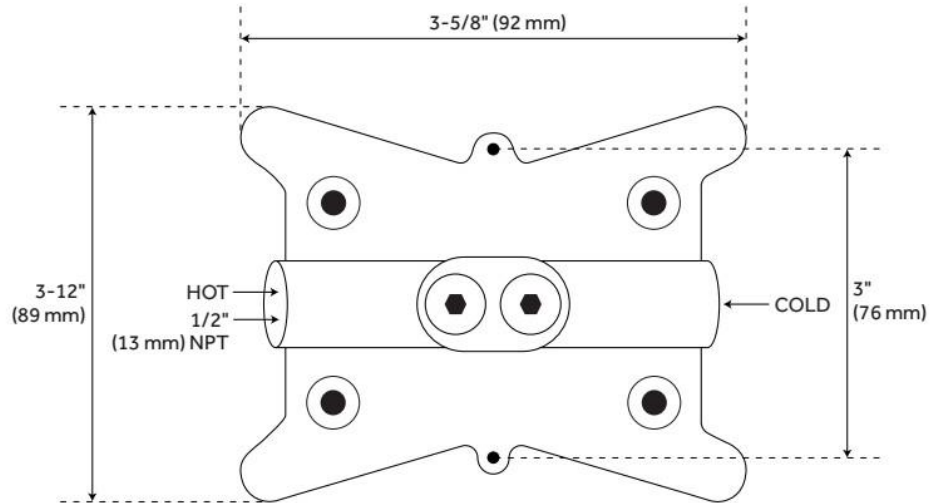
ADDITIONAL FEATURES

- Not compatible with Ryle, Napier, Keswick, Copper and Cybelle Freestanding Tub Faucets.

REVISED 5/13/2024

FREESTANDING TUB FAUCET ROUGH-IN VALVE

SKU: 446521
Code: SHFSR2000



REVISED 5/13/2024