

VASSOR PRESSURE BALANCE SHOWER SYSTEM

SKU: 953800

Code: SHVA8010, SH4001, SHRSA122, SHRSB820RG, SH488939



FEATURES

Material: Metal

Shower Head Swivel: Yes

Connection Type: 1/2" MIP and SWT

Cartridge Type: Ceramic Disc

ASME A112.18.1/CSA B125.1, ASSE 1016 Type P, CEC Listed, WaterSense by IAPMO, Massachusetts Accepted, LISTED ID: SH4001, SHRSB820RG*, SHRSA122*, SHVA8010*, SHRSA123*



ADDITIONAL FEATURES

- Single function shower head.
- Included Pressure balance valve with integral stops.
 - One-piece cartridge design for ease of maintenance.
 - Back-to-back capability.
 - Ceramic disc valve cartridge.
 - Cast bronze valve body.
 - Adjustable temperature limit stop.
 - Quick remove plaster guard.
 - Easy mounting brackets.

REVISED 6/3/2024

VASSOR PRESSURE BALANCE SHOWER VALVE

SKU: 953799

Code: SHVA8010, SH4001, SH488906, SH488936



FEATURES

Material: Metal

Connection Type: 1/2" MIP and SWT

Cartridge Type: Ceramic Disc

ASME A112.18.1/CSA B125.1, ASSE 1016 Type P, Massachusetts Accepted, LISTED ID: SHVA8010*, SH4001



ADDITIONAL FEATURES

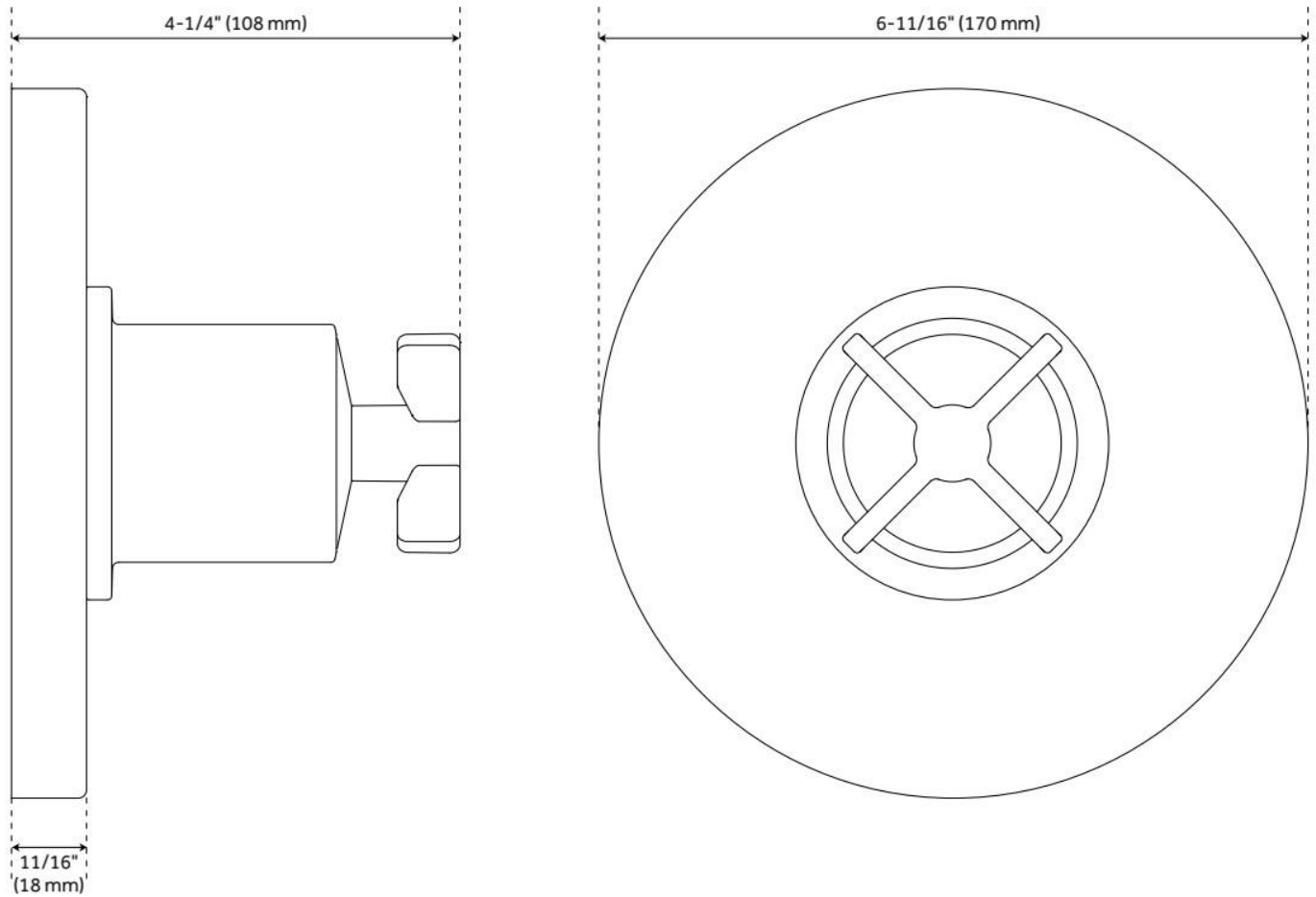
- Metal handle.
- Metal escutcheon.
- Optional Rough-in Valve:
 - Pressure balance valve with integral stops.
 - One-piece cartridge design for ease of maintenance.
 - Back-to-back capability.
 - Ceramic disc valve cartridge.
 - Cast bronze valve body.
 - Adjustable temperature limit stop.
 - Quick remove plaster guard.
 - Easy mounting brackets.

REVISED 5/30/2024

VASSOR PRESSURE BALANCE SHOWER VALVE

SKU: 953799

Code: SHVA8010, SH4001, SH488906, SH488936



REVISED 5/30/2024

8" MODERN ROUND RAINFALL SHOWER HEAD - 1.8 GPM - CHROME

SKU: 948948-18

Code: SHRSB820RG, SH484203, SH485499, SHRSB820RGPB



FEATURES

Material: ABS

Shower Head Swivel: Yes

ASME A112.18.1/CSA B125.1, CEC Listed, WaterSense by IAPMO, Massachusetts Accepted, LISTED ID: SHRSB820RG*

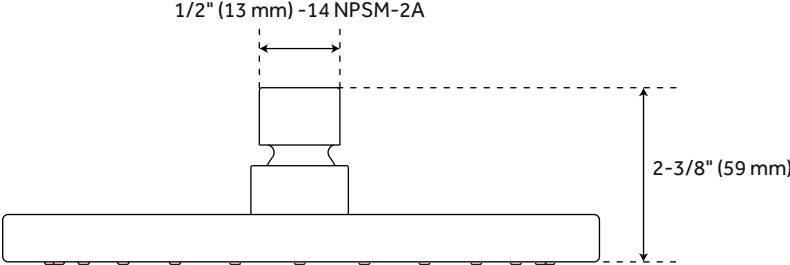
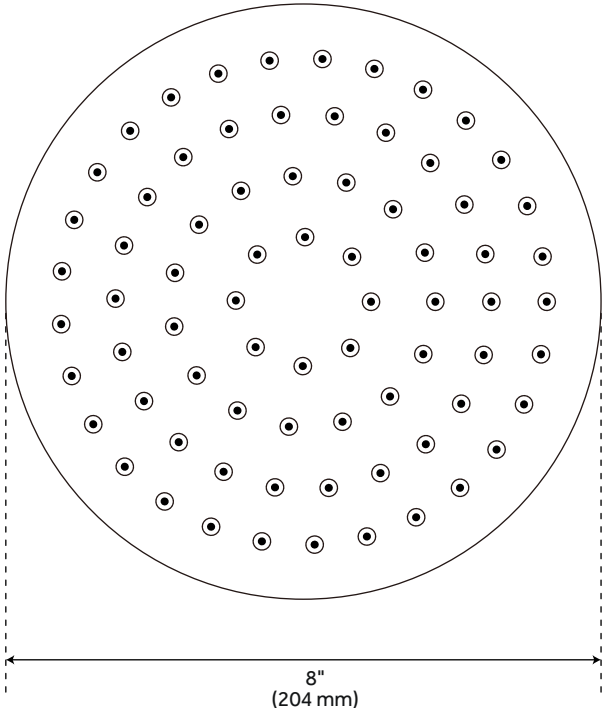


ADDITIONAL FEATURES

- Single function shower head (full spray).
- Easy clean rubber nozzles.
- Brass ball joint.

REVISED 5/24/2024

MODERN ROUND RAINFALL SHOWER HEAD - 1.8 GPM



All dimensions and specifications are nominal and may vary. Use actual products for accuracy in critical situations.

CYLINDRICAL WALL-MOUNT SHOWER ARM

SKU: 953769

Code: SHRSA122, SH484204, SHRSA122PB, SHRSA122PN

FEATURES

Material: Metal

Connection Type: 1/2" NPT



ASME A112.18.1/CSA B125.1, Massachusetts Accepted, LISTED ID: SHRSA122*



ADDITIONAL FEATURES

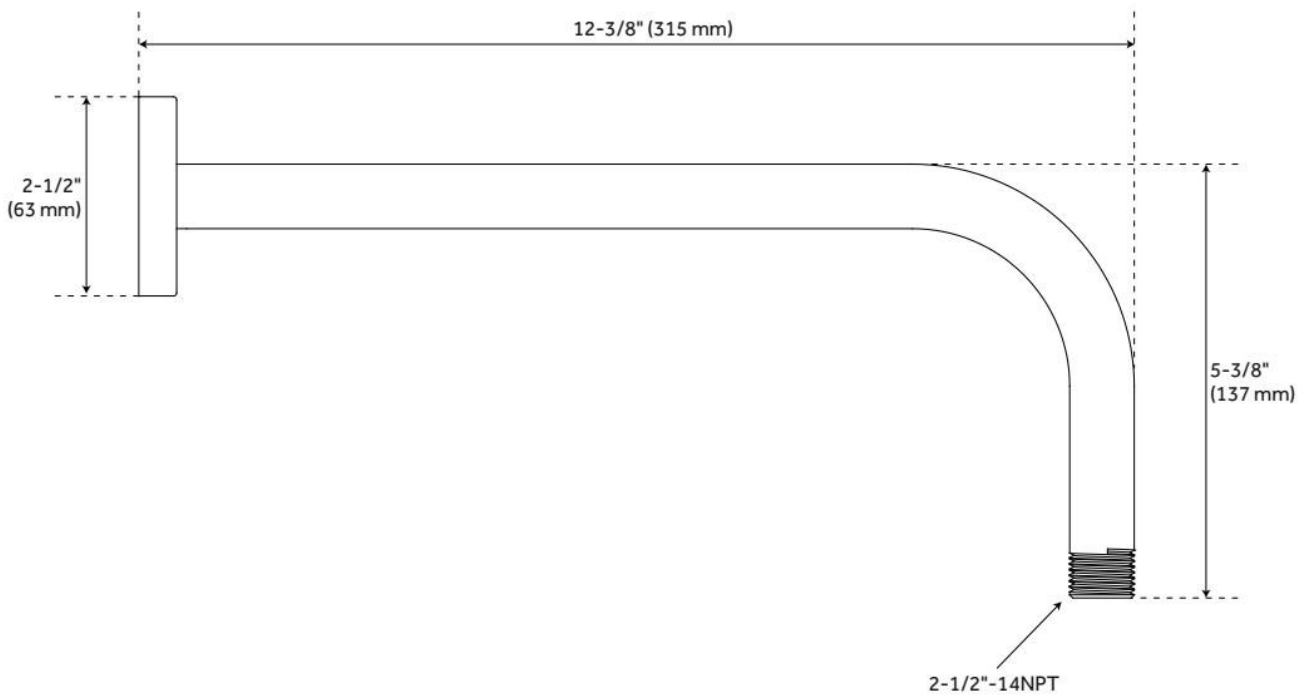
- Escutcheon included.

REVISED 5/30/2024

CYLINDRICAL WALL-MOUNT SHOWER ARM

SKU: 953769

Code: SHRSA122, SH484204, SHRSA122PB, SHRSA122PN



REVISED 5/30/2024

PRESSURE BALANCE TUB & SHOWER ROUGH-IN VALVE

SKU: 446520
Code: SH4001



FEATURES

Material: Bronze
Flow Rate: 6.34 gpm (24.0 L/min) @ 80 psi
Connection Type: 1/2" MIP and SWT
Cartridge Type: Ceramic Disc

IAPMO, ASME A112.18.1/CSA B125.1, ASSE 1016 Type P, Massachusetts Accepted, LISTED ID: SH4001



ADDITIONAL FEATURES

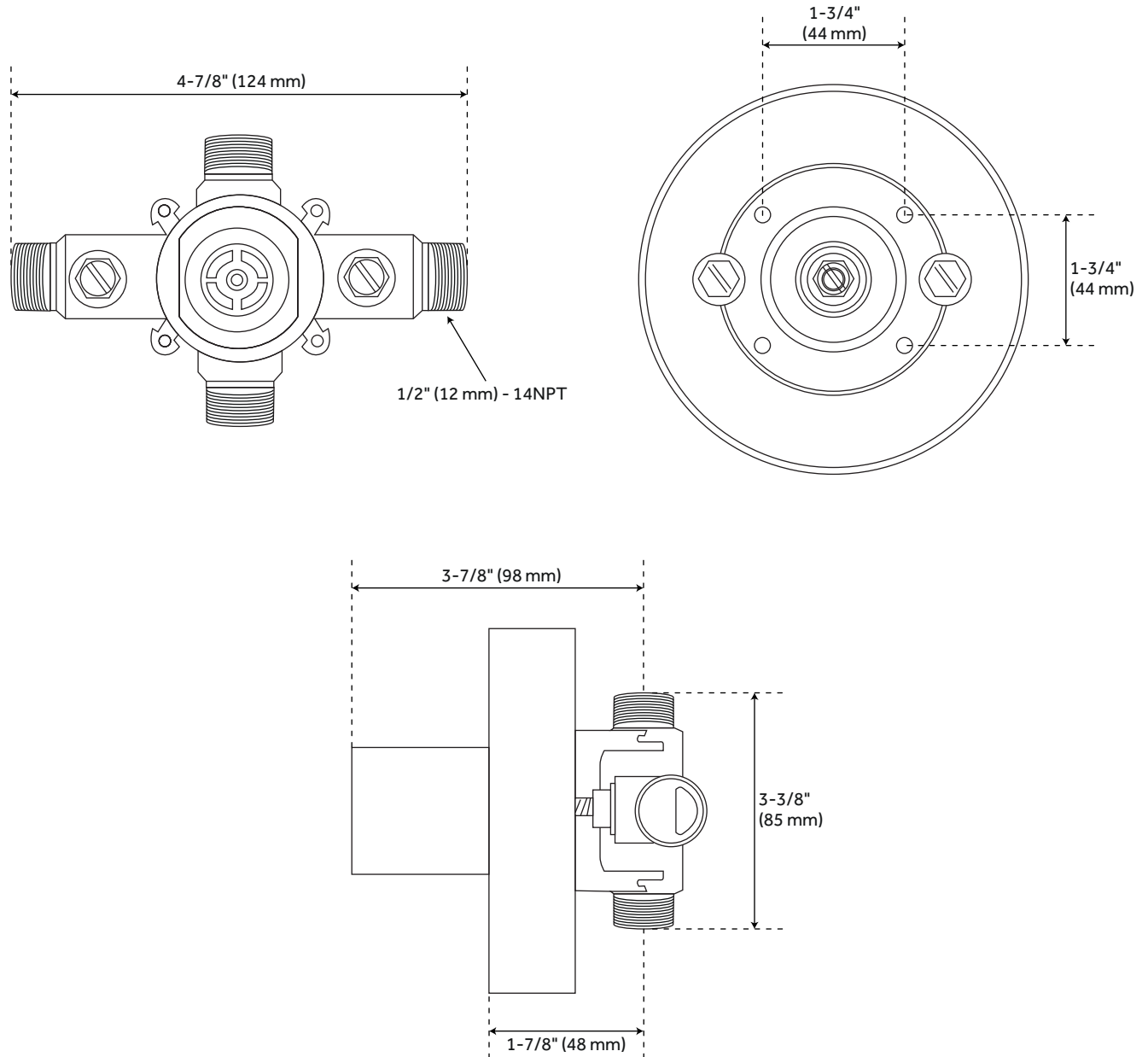
- Compatible with Beasley, Berwyn, Boca Raton, Drea, Edenton, Elita, Greyfield, Gunther, Hibiscus, Key West, Lentz, Lexia, Pendleton, Pinecrest, Provincetown, Rigi, Sefina, Vassor and Vilamonte Pressure Balance Trims.
- Pressure balance valve with integral stops.
- One-piece ceramic cartridge design for ease of maintenance.
- Back-to-back capability
- Cast bronze valve body.
- Adjustable temperature limit stop.
- Quick remove plaster guard and easy mounting brackets.

REVISED 8/14/2024

PRESSURE BALANCE TUB AND SHOWER ROUGH-IN VALVE

SKU: 446520

SH4001



All dimensions and specifications are nominal and may vary. Use actual products for accuracy in critical situations.