

VASSOR IN-WALL SHOWER DIVERTER

SKU: 953802

Code: SHVA9005, SH6101, SH6103, SH488907, SH488937, SH488938



FEATURES

Installation Type: Wall Mount

Material: Metal

Height: 4-5/16"

Assembly Required: Yes

Faucet Material: Metal

Shape: Round

Handle Type: Cross

Valve Trim Diameter: 4-5/16"

Diverter Included: Yes

ASME A112.18.1/CSA B125.1

LISTED ID: SHVA9005*



REVISED 1/23/2024

VASSOR IN-WALL SHOWER DIVERTER

SKU: 953802

Code: SHVA9005, SH6101, SH6103, SH488907, SH488937, SH488938

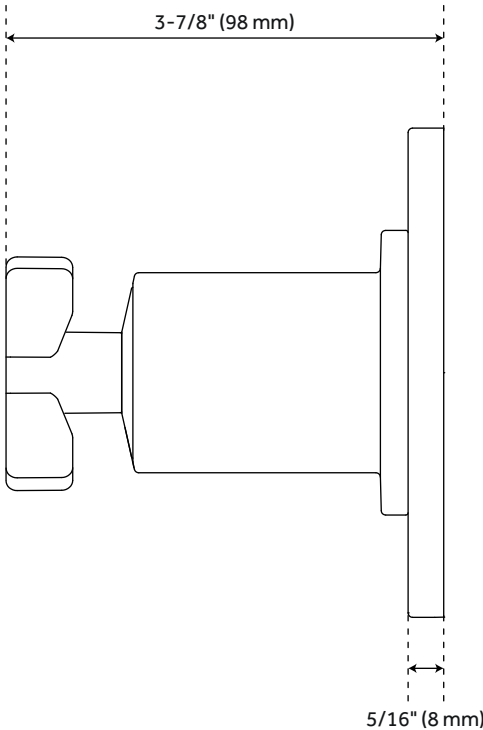
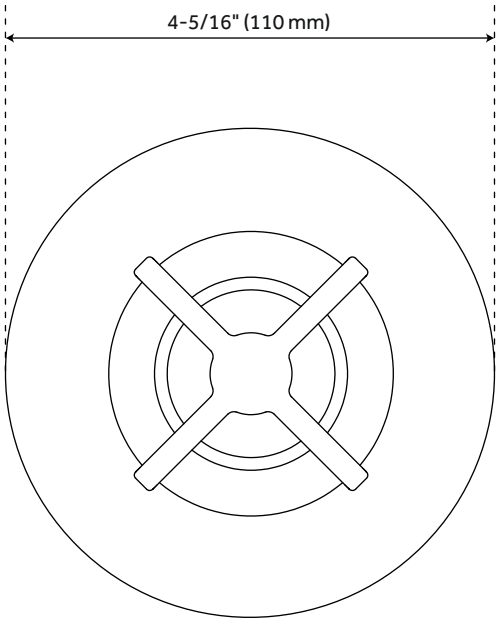


ADDITIONAL FEATURES

- Metal cross handle.
- Not intended as a shut off valve.
- Wall thickness range: 1" - 1-3/4".
- Extension kit available (SH6101EXT).
- Included Rough-in Valve:
 - Six total settings allow for shared water flow between outlets, giving you the ability to use two functions at once.
 - Single-Function CALGreen Diverter Valve Cartridge that restricts water flow to one outlet at a time available. (SH6150)
 - Brass valve body.
 - Ceramic cartridge.
 - Recommended valve installation depth 1-5/8" to 2-3/8".
 - Must be installed in accordance with provided installation instructions

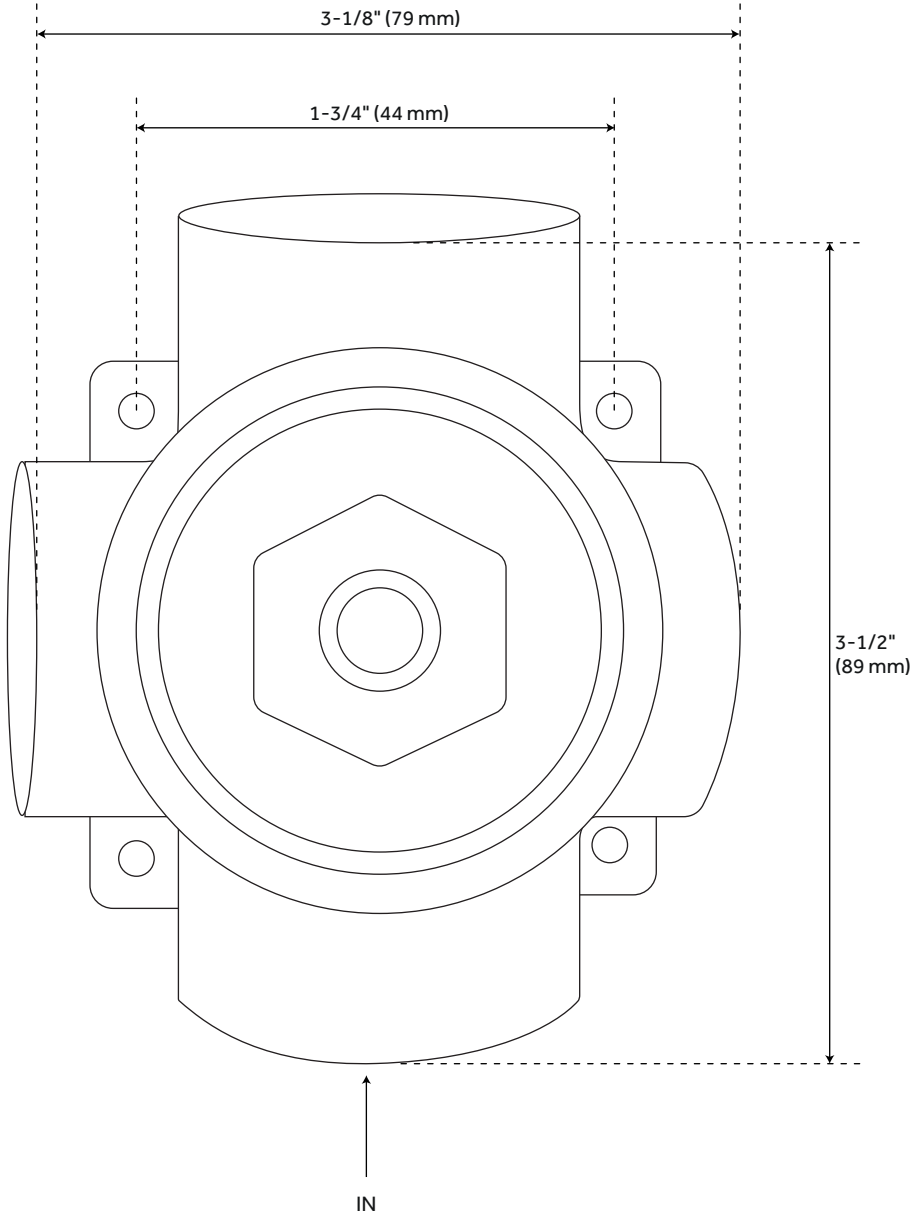
REVISED 1/23/2024

VASSOR IN-WALL SHOWER DIVERTER



All dimensions and specifications are nominal and may vary. Use actual products for accuracy in critical situations.

VASSOR OPTIONAL IN-WALL DIVERTER ROUGH-IN VALVE



All dimensions and specifications are nominal and may vary. Use actual products for accuracy in critical situations.