

VASSOR PRESSURE BALANCE SHOWER SYSTEM WITH SLIDE BAR AND HAND SHOWER

SKU: 953803

Code: SHVA8010, SH4001, SHRSA122, SHRSB820RG, SHHS4030G, SHH1010, SHWE2040, SHSB3040, SHVA9005, SH6103, SH488941



FEATURES

Material: Metal
Shower Head Swivel: Yes
Hand Shower Spray: Full
Hand Shower Flow Rate: 1.8 gpm (6.8 L/min) @ 80 psi
Connection Type: 1/2" MIP and SWT
Diverter Outlets: 3
Cartridge Type: Ceramic Disc

ASME A112.18.1/CSA B125.1, ASME A112.18.2/CSA B125.2, ASSE 1016 Type P, CEC Listed, WaterSense by IAPMO, Massachusetts Accepted, LISTED ID: SH4001, SH6103, SHH1010*, SHHS4030G*, SHRSB820RG*, SHWE2040*, SHRSA122*, SHVA8010*, SHVA9005*, SHRSA123*



ADDITIONAL FEATURES

- Metal cross handles.
- Single function 8" Rainfall shower head.
- Hand shower with easy-clean spray nozzles.
- 60" - 72" stretchable metal shower hose.
- Included Rough-in valves:
 - Pressure balance valve features a one-piece cartridge design for ease of maintenance, back-to-back capability, a ceramic disc cartridge, cast bronze valve body, adjustable temperature limit stop, a quick remove plaster guard, easy mounting brackets and integral stops.
 - Diverter valve features a ceramic disc cartridge and brass valve body. Single-Function CALGreen Diverter Valve Cartridge that restricts water flow to one outlet at a time available. (SH6150)

REVISED 6/3/2024

VASSOR PRESSURE BALANCE SHOWER VALVE

SKU: 953799

Code: SHVA8010, SH4001, SH488906, SH488936



FEATURES

Material: Metal

Connection Type: 1/2" MIP and SWT

Cartridge Type: Ceramic Disc

ASME A112.18.1/CSA B125.1, ASSE 1016 Type P, Massachusetts Accepted, LISTED ID: SHVA8010*, SH4001



ADDITIONAL FEATURES

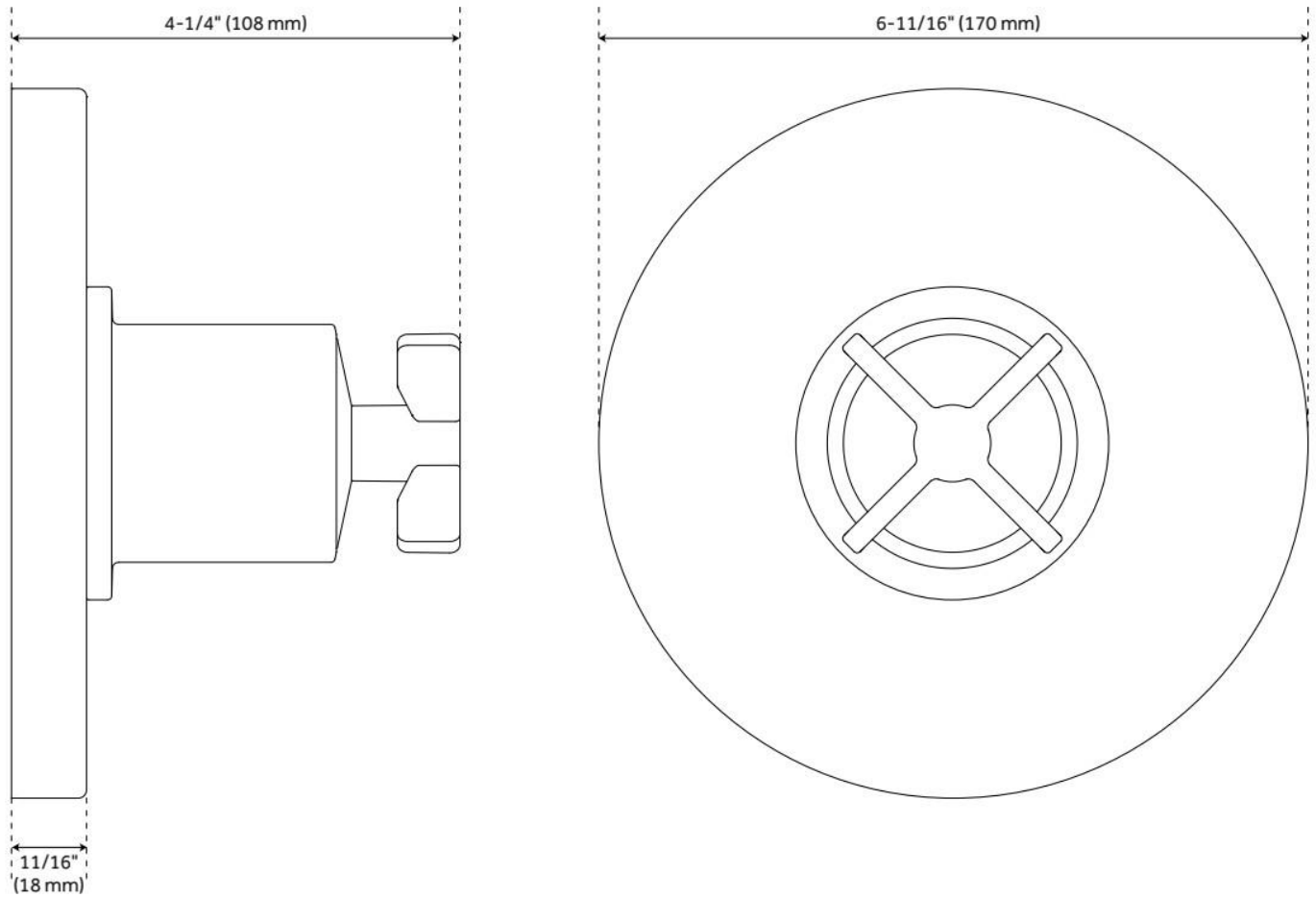
- Metal handle.
- Metal escutcheon.
- Optional Rough-in Valve:
 - Pressure balance valve with integral stops.
 - One-piece cartridge design for ease of maintenance.
 - Back-to-back capability.
 - Ceramic disc valve cartridge.
 - Cast bronze valve body.
 - Adjustable temperature limit stop.
 - Quick remove plaster guard.
 - Easy mounting brackets.

REVISED 5/30/2024

VASSOR PRESSURE BALANCE SHOWER VALVE

SKU: 953799

Code: SHVA8010, SH4001, SH488906, SH488936



REVISED 5/30/2024

VASSOR IN-WALL SHOWER DIVERTER

SKU: 953802

Code: SHVA9005, SH6101, SH6103, SH488907, SH488937, SH488938



FEATURES

Material: Metal

ASME A112.18.1/CSA B125.1, ASME A112.18.2/CSA B125.2, Massachusetts Accepted, LISTED ID: SHVA9005*, SH6101, SH6103



ADDITIONAL FEATURES

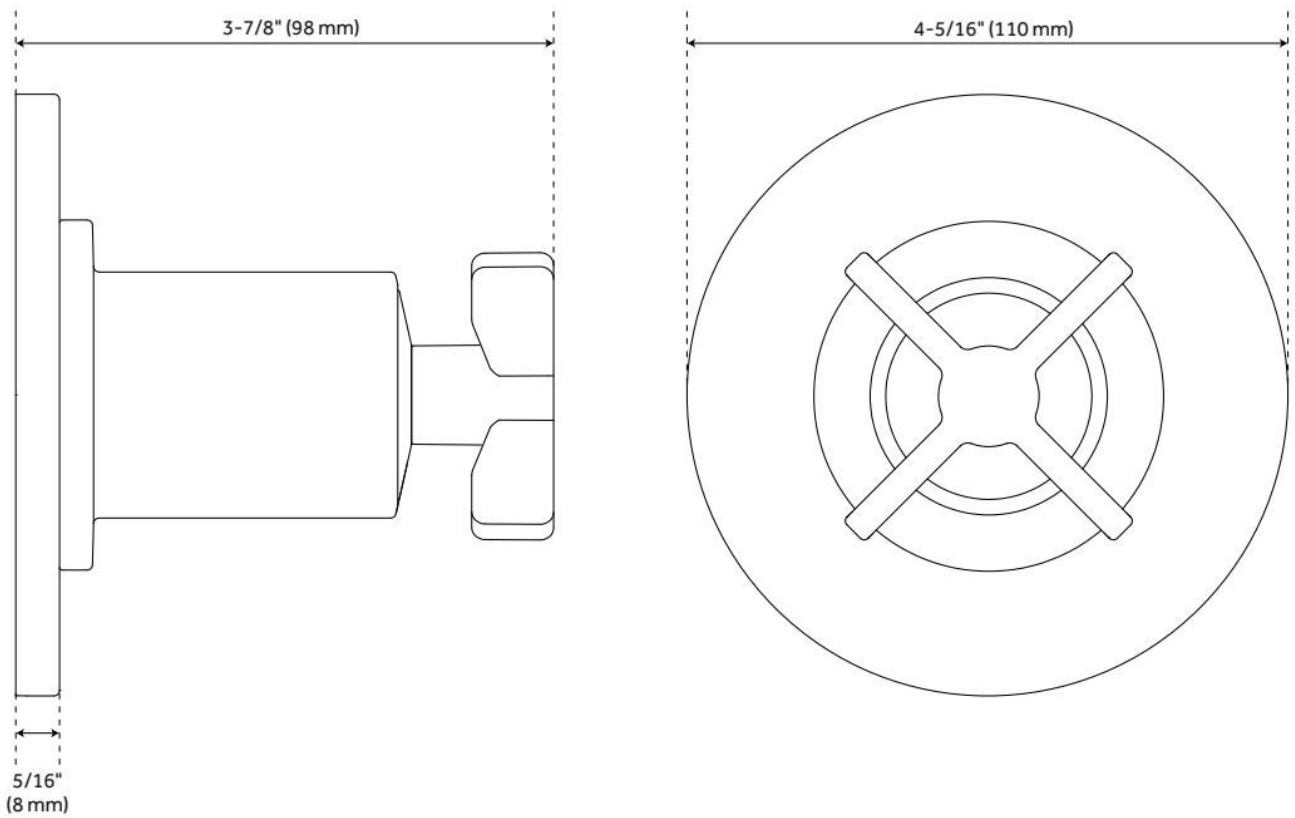
- Metal cross handle.
- Not intended as a shut off valve.
- Wall thickness range: 1" - 1-3/4".
- Extension kit available (SH6101EXT).
- Included Rough-in Valve:
 - Six total settings allow for shared water flow between outlets, giving you the ability to use two functions at once.
 - Single-Function CALGreen Diverter Valve Cartridge that restricts water flow to one outlet at a time available. (SH6150)
 - Brass valve body.
 - Ceramic cartridge.
 - Recommended valve installation depth 1-5/8" to 2-3/8".
 - Must be installed in accordance with provided installation instructions

REVISED 5/30/2024

VASSOR IN-WALL SHOWER DIVERTER

SKU: 953802

Code: SHVA9005, SH6101, SH6103, SH488907, SH488937, SH488938



REVISED 5/30/2024

8" MODERN ROUND RAINFALL SHOWER HEAD - 1.75 GPM

SKU: 948948-18

Code: SHRSB820RG, SH484203, SH485499, SHRSB820RGPB



FEATURES

Material: ABS

Shower Head Swivel: Yes

Flow Rate: 1.75 gpm (6.6 L/min) @ 80 psi

ASME A112.18.1/CSA B125.1, CEC Listed, WaterSense by IAPMO, Massachusetts Accepted, LISTED ID:
SHRSB820RG*

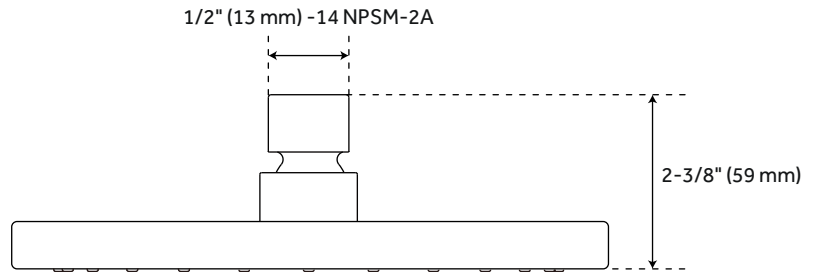
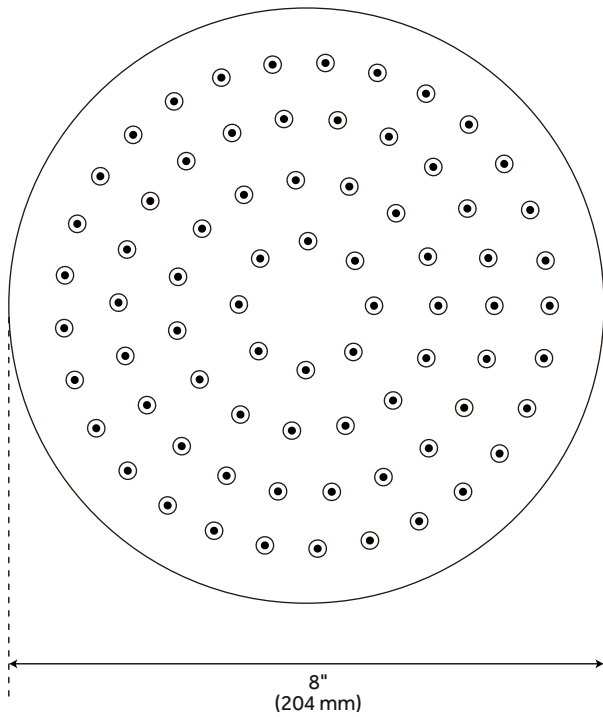


ADDITIONAL FEATURES

- Single function shower head (full spray).
- Easy clean rubber nozzles.
- Brass ball joint.

REVISED 11/22/2024

8" MODERN ROUND RAINFALL SHOWER HEAD - 1.75 GPM



All dimensions and specifications are nominal and may vary. Use actual products for accuracy in critical situations.

CYLINDRICAL WALL-MOUNT SHOWER ARM

SKU: 953769

Code: SHRSA122, SH484204, SHRSA122PB, SHRSA122PN

FEATURES

Material: Metal

Connection Type: 1/2" NPT



ASME A112.18.1/CSA B125.1, Massachusetts Accepted, LISTED ID: SHRSA122*



ADDITIONAL FEATURES

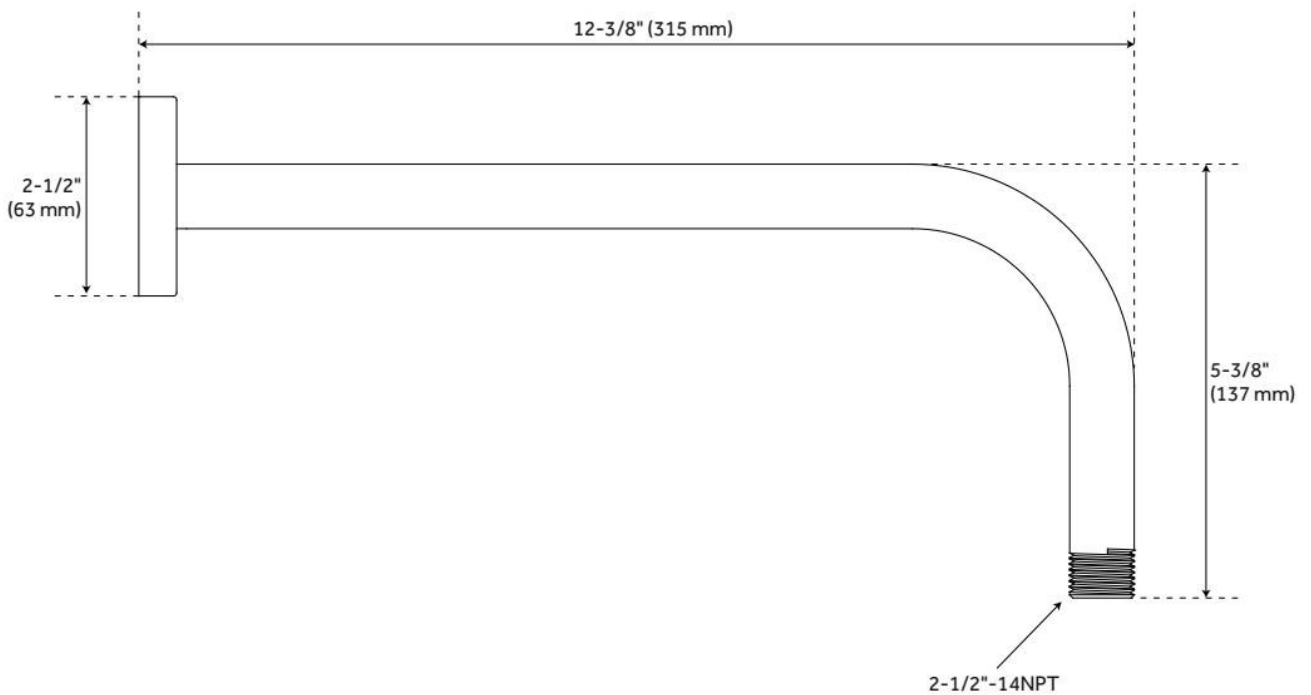
- Escutcheon included.

REVISED 5/30/2024

CYLINDRICAL WALL-MOUNT SHOWER ARM

SKU: 953769

Code: SHRSA122, SH484204, SHRSA122PB, SHRSA122PN



REVISED 5/30/2024

CONTEMPORARY SLIDE BAR FOR HAND SHOWER

SKU: 948919

Code: SHSB3040, SH484206, SH485501, SHSB3040PB



FEATURES

Material: Brass

ADDITIONAL FEATURES

- Metal bar and mounting posts.
- Adjustable angle for handshower mount.

REVISED 5/30/2024

CONTEMPORARY TUBULAR HAND SHOWER

SKU: 948923

Code: SHHS4030G, SH488912, SHHS4030GPB



FEATURES

Material: ABS

Hand Shower Spray: Full

Hand Shower Flow Rate: 1.8 gpm (6.8 L/min) @ 80 psi

ASME A112.18.1/CSA B125.1, CEC Listed, WaterSense by IAPMO, Massachusetts Accepted, LISTED ID: SHHS4030G*



ADDITIONAL FEATURES

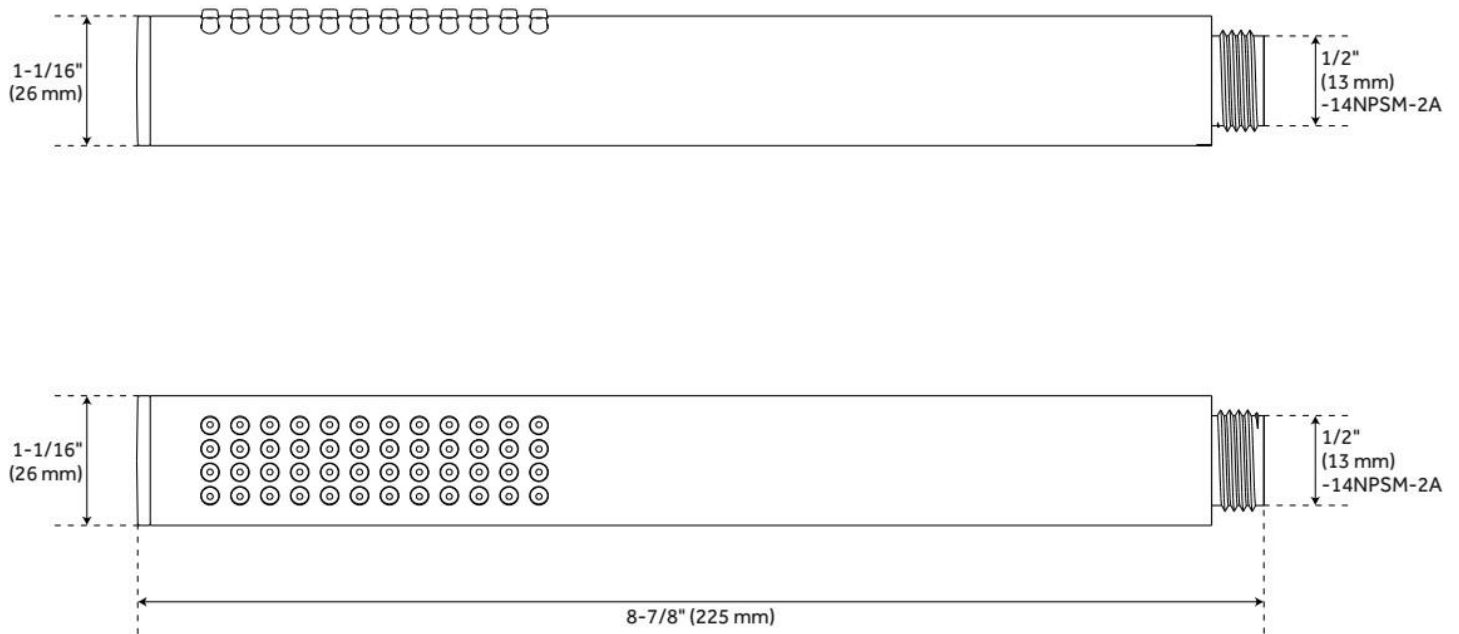
- Single function hand shower.
- Easy-clean spray nozzles.
- Factory installed backflow prevention check valve.
- Hose sold separately.

REVISED 5/30/2024

CONTEMPORARY TUBULAR HAND SHOWER

SKU: 948923

Code: SHHS4030G, SH488912, SHHS4030GPB



REVISED 5/30/2024

CONTEMPORARY ROUND WATER SUPPLY ELBOW FOR HAND SHOWER

SKU: 932365

Code: SHWE2040, SH417826, SH484207, SH485502, SHWE2040PB

FEATURES

Material: Brass

Connection Type: 1/2" NPT



ASME A112.18.1/CSA B125.1, LISTED ID: SHWE2040*



ADDITIONAL FEATURES

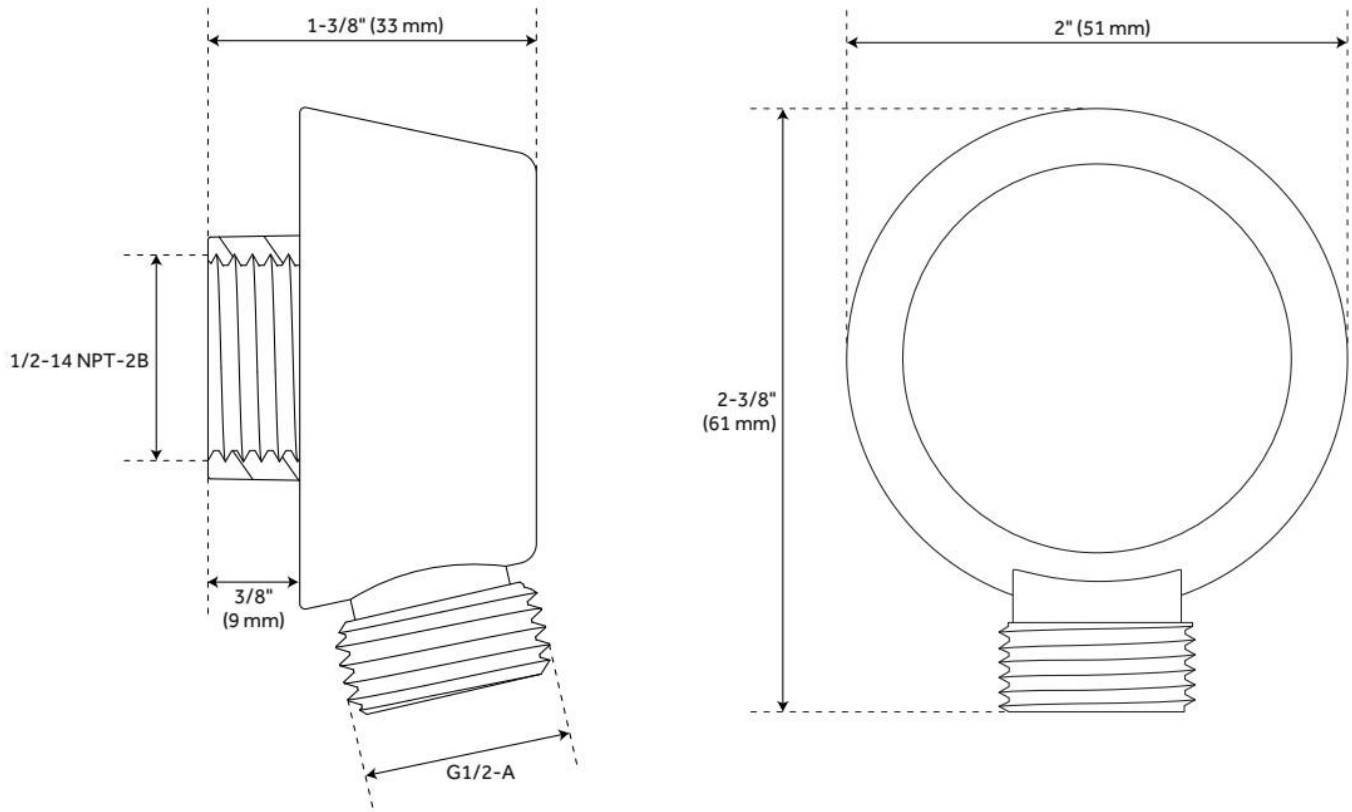
- 1/2" Female wall connection.
- 1/2" Male hose connection.

REVISED 5/30/2024

CONTEMPORARY ROUND WATER SUPPLY ELBOW FOR HAND SHOWER

SKU: 932365

Code: SHWE2040, SH417826, SH484207, SH485502, SHWE2040PB



REVISED 5/30/2024

60" METAL HAND SHOWER HOSE

SKU: 948088
Code: SHH1010

FEATURES

Connection Type: 1/2" IPS



ASME A112.18.1/CSA B125.1, Massachusetts Accepted, LISTED ID: SHH1010*



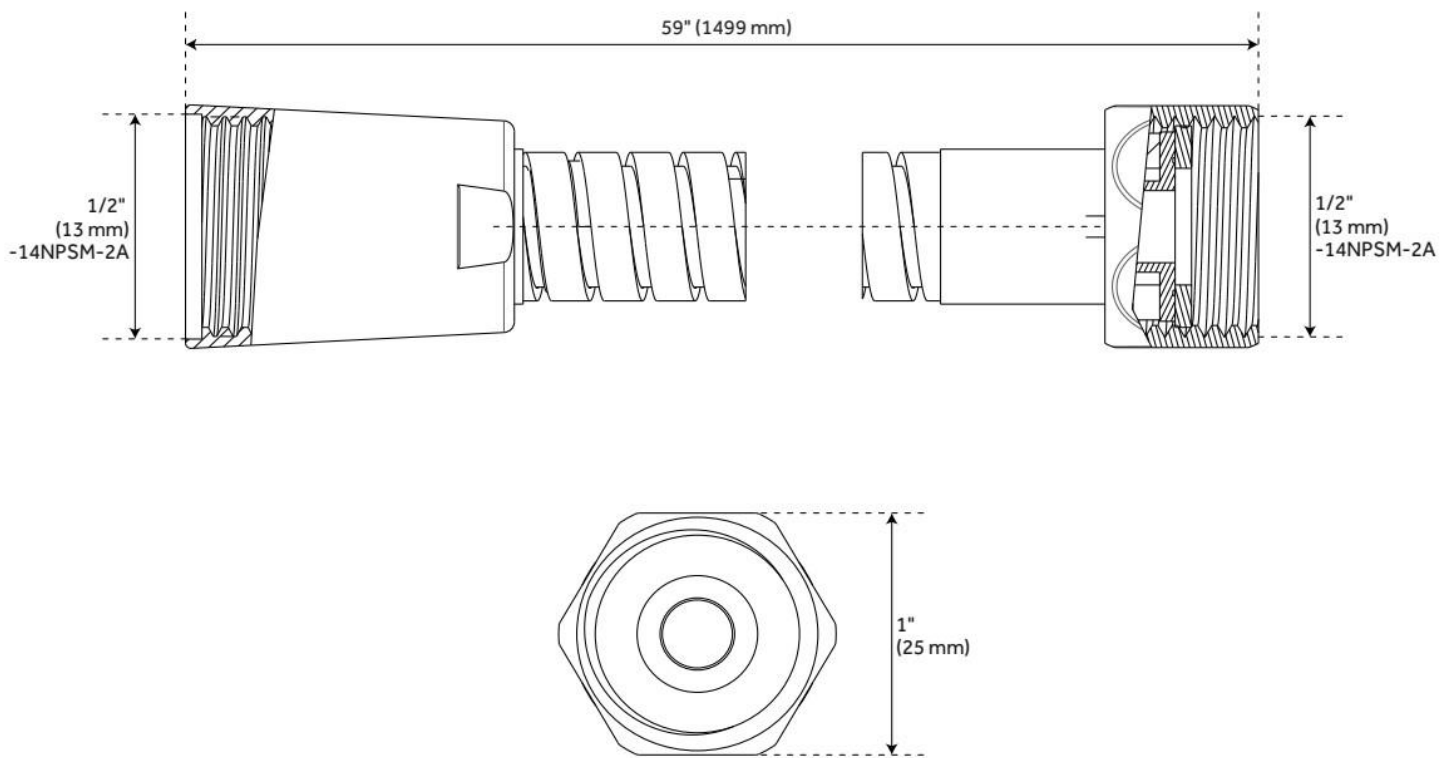
ADDITIONAL FEATURES

- Hand Sprayer sold separately.
- 60" - 72" stretchable metal shower hose.
- Double spiral constructed hose.

REVISED 5/24/2024

60" METAL HAND SHOWER HOSE

SKU: 948088
Code: SHH1010



REVISED 5/24/2024

3-WAY IN-WALL DIVERTER ROUGH-IN VALVE - 3/4"

SKU: 446519
Code: SH6103

FEATURES

Material: Brass
Cartridge Type: Ceramic Disc



IAPMO, ASME A112.18.1/CSA B125.1, ASME A112.18.2/CSA B125.2, Massachusetts Accepted, LISTED ID: SH6103



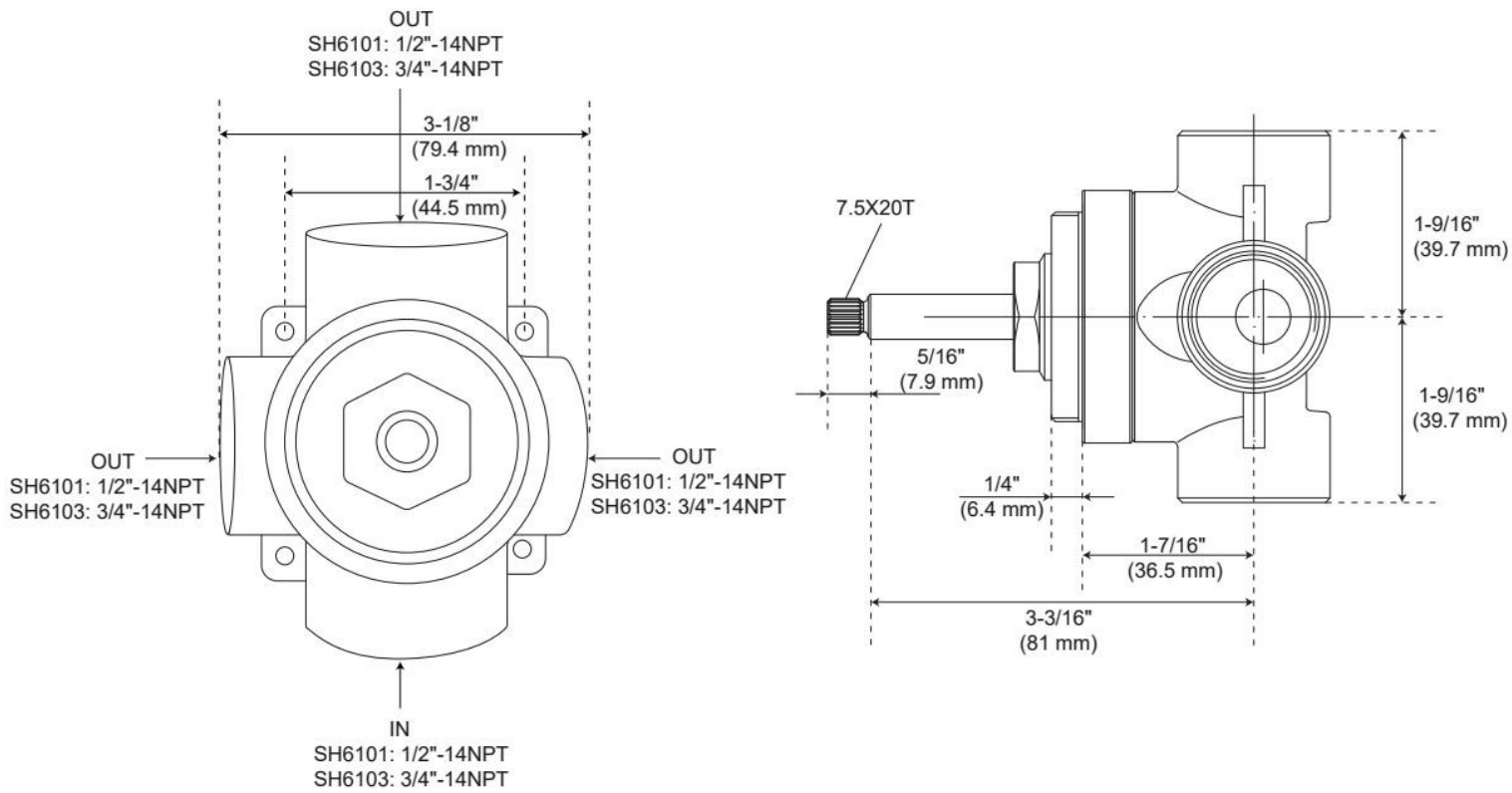
ADDITIONAL FEATURES

- Six total settings allow for shared water flow between outlets, giving you the ability to use two functions at once.
- Ceramic cartridge.
- Available Single-Function Diverter Valve Cartridge restricts water flow to one outlet at a time.
- Not intended as a shut off valve.
- For installations only requiring 2 outlets, the 3rd outlet may be looped into one of the existing pipes.
- Compatible with Beasley, Berwyn, Boca Raton, Drea, Edenton, Elita, Greyfield, Gunther, Hibiscus, Key West, Lentz, Lexia, Pendleton, Pinecrest, Provincetown, Rigi, Sefina, Vassor and Vilamonte Diverter Trims.

REVISED 10/14/2024

3-WAY IN-WALL DIVERTER ROUGH-IN VALVE - 3/4"

SKU: 446519
Code: SH6103



REVISED 10/14/2024

PRESSURE BALANCE TUB & SHOWER ROUGH-IN VALVE

SKU: 446520
Code: SH4001



FEATURES

Material: Brass
Flow Rate: 6.34 gpm (24.0 L/min) @ 80 psi
Connection Type: 1/2" MIP and SWT
Cartridge Type: Ceramic Disc

IAPMO, ASME A112.18.1/CSA B125.1, ASSE 1016 Type P, Massachusetts Accepted, LISTED ID: SH4001



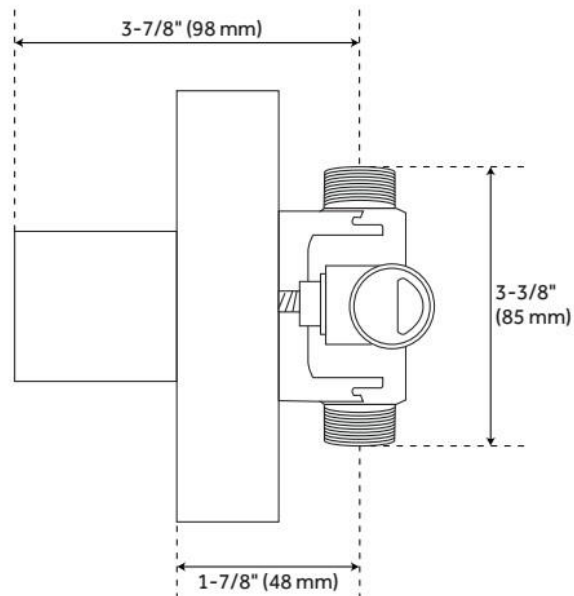
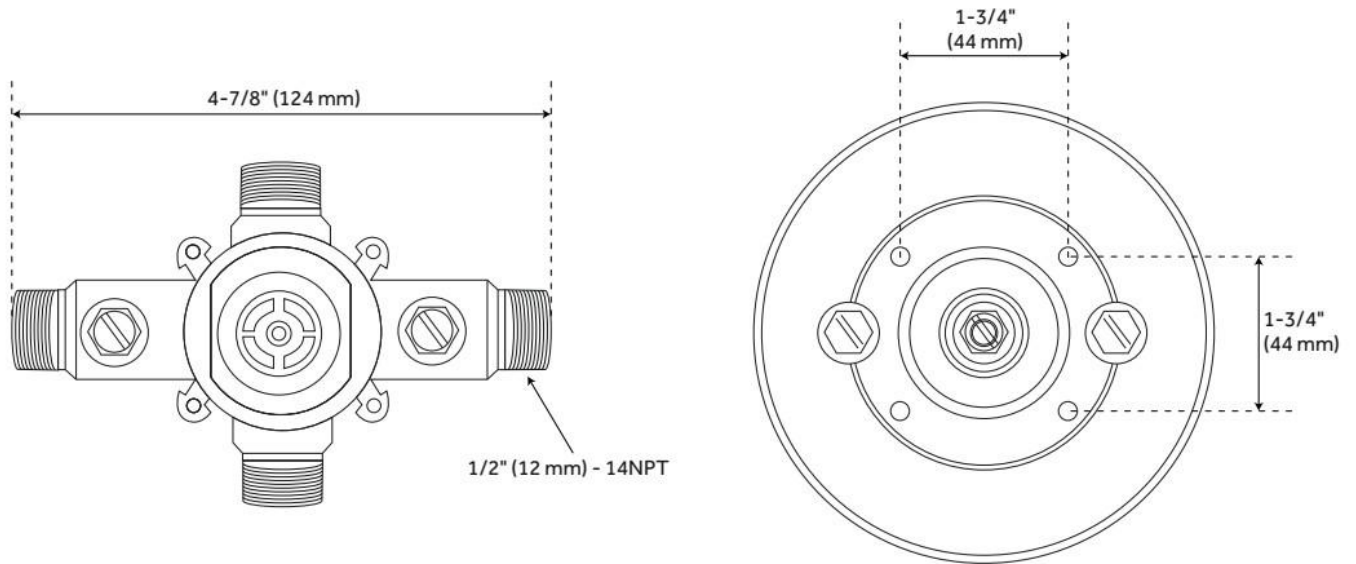
ADDITIONAL FEATURES

- Pressure balance valve with integral stops.
- One-piece ceramic cartridge design for ease of maintenance.
- Back-to-back capability
- Adjustable temperature limit stop.
- Quick remove plaster guard and easy mounting brackets.

REVISED 11/27/2024

PRESSURE BALANCE TUB & SHOWER ROUGH-IN VALVE

SKU: 446520
Code: SH4001



REVISED 11/27/2024