

VASSOR PRESSURE BALANCE SHOWER SYSTEM WITH SLIDE BAR AND HAND SHOWER

SKU: 953803

Code: SHVA8010, SH4001, SHRSA122, SHRSB820RG, SHHS4030G, SHH1010, SHWE2040, SHSB3040, SHVA9005, SH6103, SH488941



ASME A112.18.1/CSA B125.1
WaterSense by IAPMO



FEATURES

Installation Type: Wall Mount
Features: Rough-In Included; Pressure-Balanced; Hand Shower Included
Design: Modern
Material: Metal
Assembly Required: Yes
Faucet Material: Metal
Shape: Round
Handle Type: Cross
Shower Head Installation Type: Wall
Number of Shower Heads: 1
Shower Head Diameter: 8"
Shower Head Material: ABS
Shower Head Spray: Rainfall
Shower Arm Included: Yes
Shower Arm Extension: 12-3/8"
Shower Arm Height: 5-3/8"
Shower Head IPS: 1/2"
Shower Head Swivel: Yes
Slide Bar Length: 28"
Hand Shower Length: 8-7/8"
Hand Shower Hose Length: 60"
Hand Shower Material: ABS
Hand Shower Flow Rate: 1.8 gpm (6.8 L/min) @ 80 psi
Diverter Included: Yes
Diverter Outlets: 3
Rainfall Shower Head Flow Rate: 1.8 gpm (6.8 L/min) @ 80 psi
Handle Material: Metal

REVISED 1/23/2024

VASSOR PRESSURE BALANCE SHOWER SYSTEM WITH SLIDE BAR AND HAND SHOWER

SKU: 953803

Code: SHVA8010, SH4001, SHRSA122, SHRSB820RG, SHHS4030G, SHH1010, SHWE2040, SHSB3040, SHVA9005, SH6103, SH488941

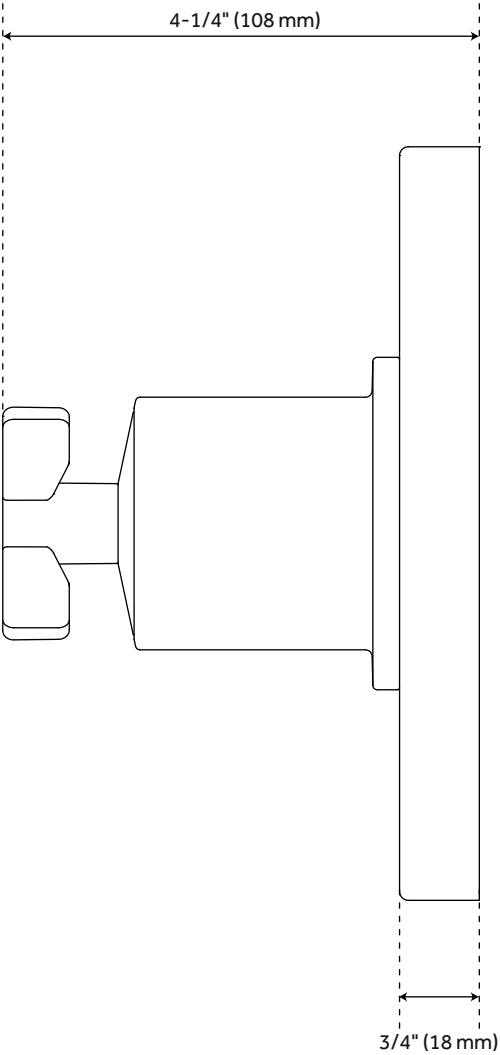
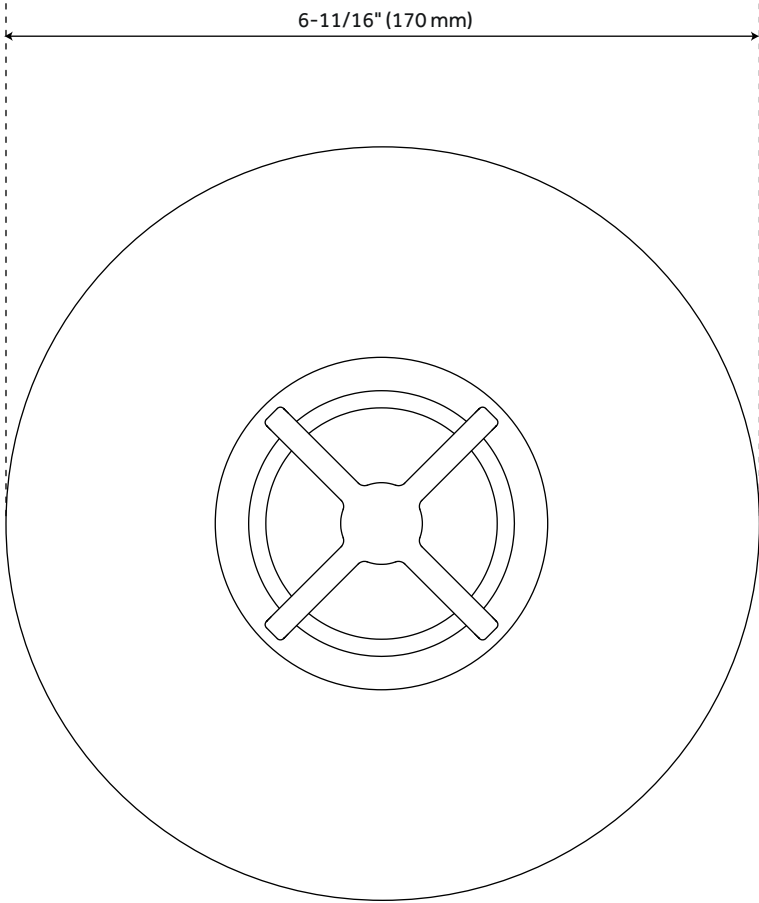


ADDITIONAL FEATURES

- Metal cross handles.
- Single function 8" Rainfall shower head.
- Hand shower with easy-clean spray nozzles.
- 60" - 72" stretchable metal shower hose.
- Included Rough-in valves:
 - Pressure balance valve features a one-piece cartridge design for ease of maintenance, back-to-back capability, a ceramic disc cartridge, cast bronze valve body, adjustable temperature limit stop, a quick remove plaster guard, easy mounting brackets and integral stops.
 - Diverter valve features a ceramic disc cartridge and brass valve body. Single-Function CALGreen Diverter Valve Cartridge that restricts water flow to one outlet at a time available. (SH6150)

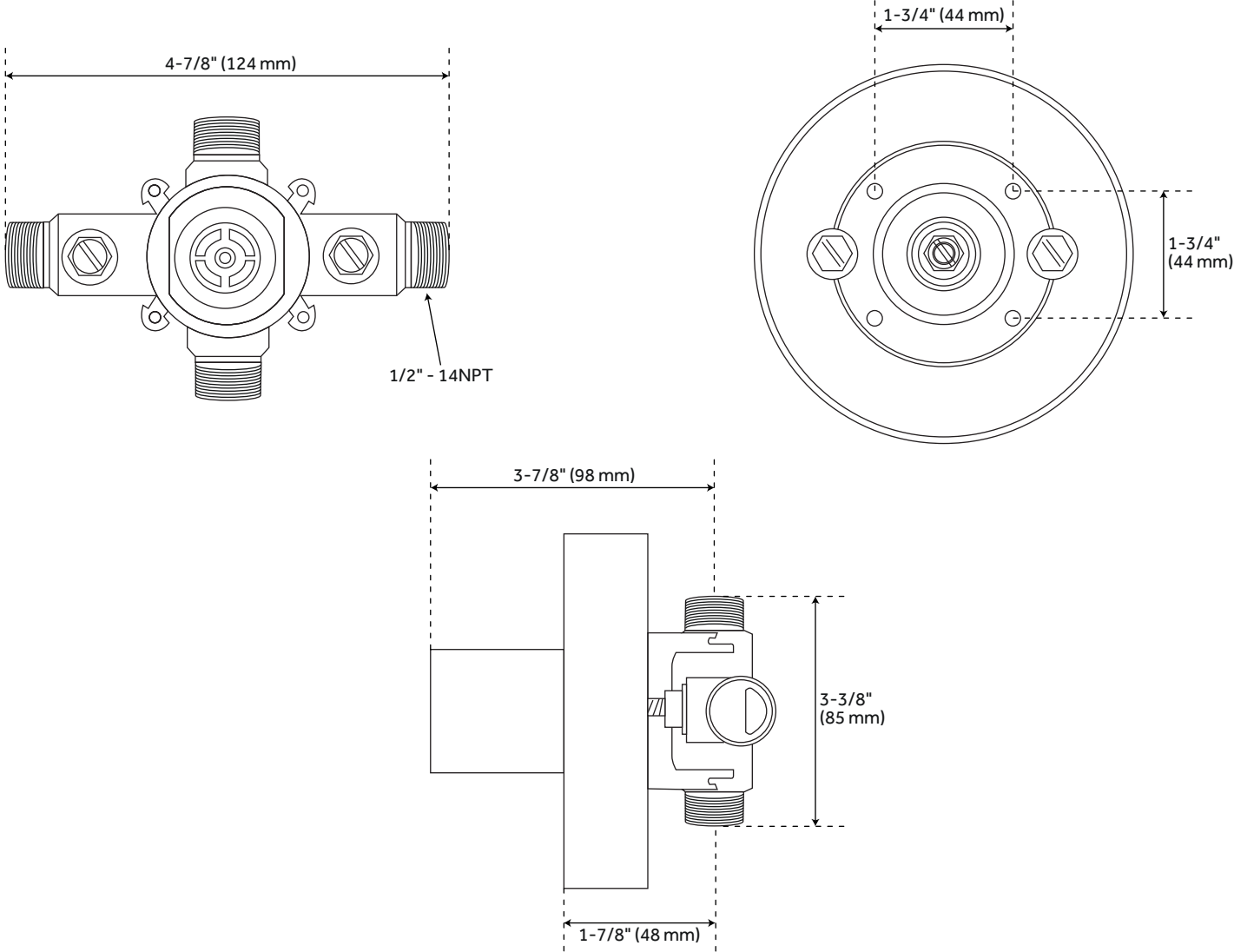
REVISED 1/23/2024

VASSOR PRESSURE BALANCE SHOWER TRIM



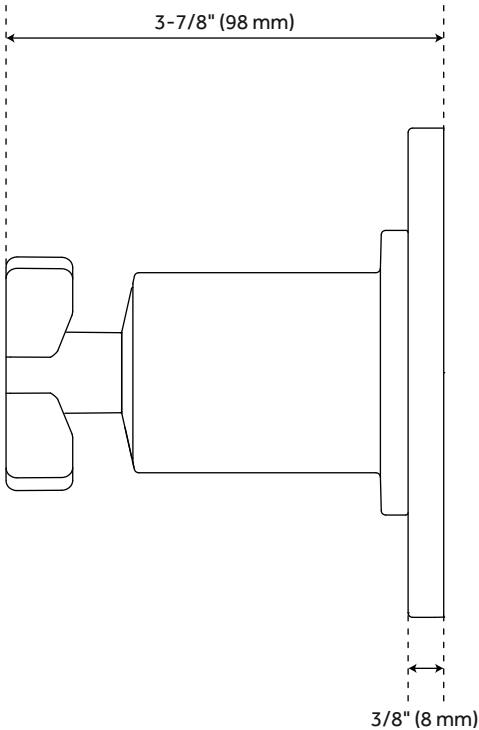
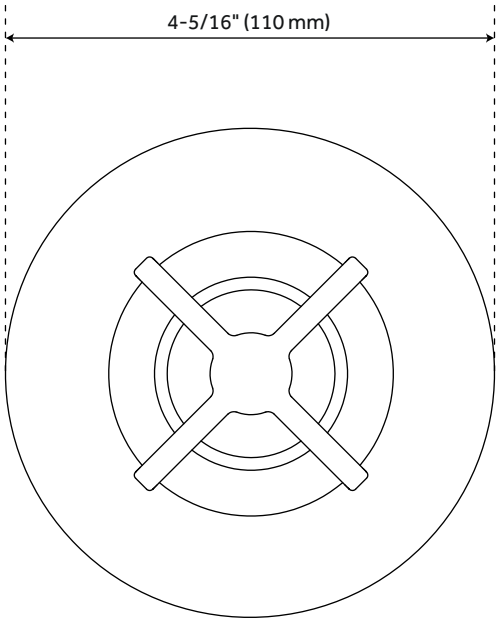
All dimensions and specifications are nominal and may vary. Use actual products for accuracy in critical situations.

VASSOR PRESSURE BALANCE ROUGH-IN VALVE



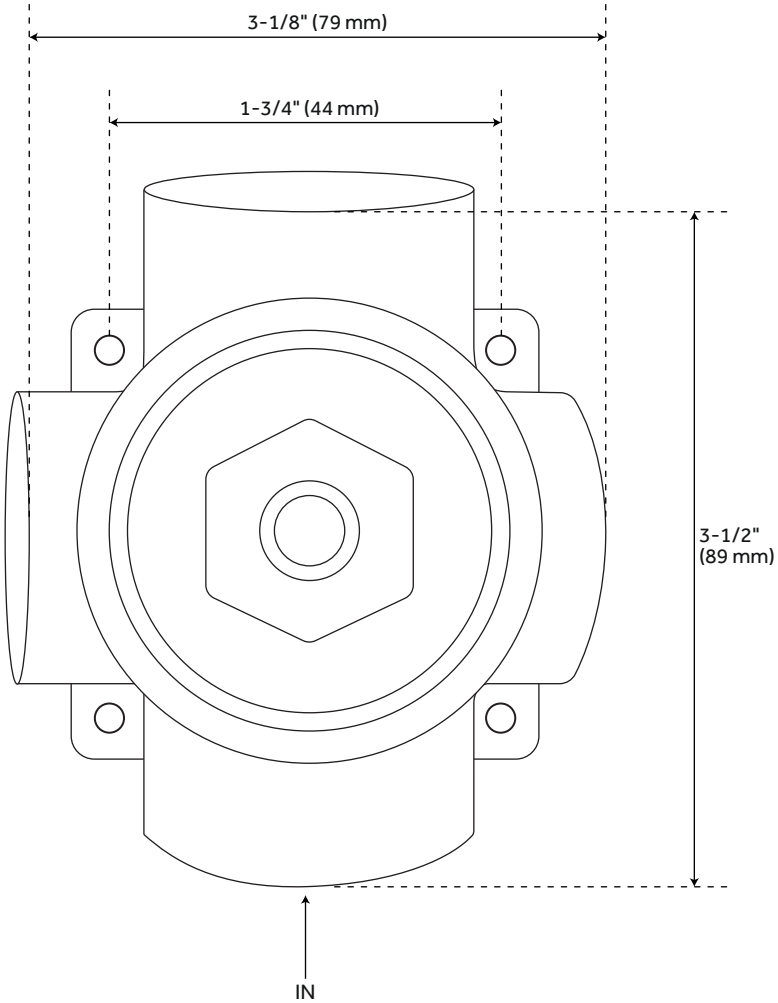
All dimensions and specifications are nominal and may vary. Use actual products for accuracy in critical situations.

VASSOR IN-WALL SHOWER DIVERTER TRIM



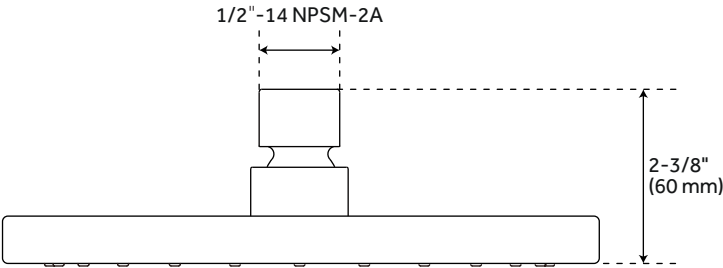
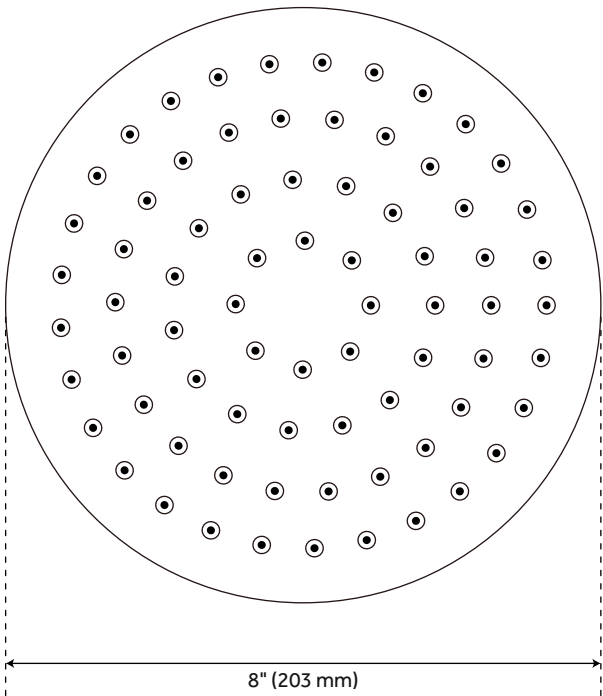
All dimensions and specifications are nominal and may vary. Use actual products for accuracy in critical situations.

VASSOR IN-WALL DIVERTER ROUGH-IN VALVE



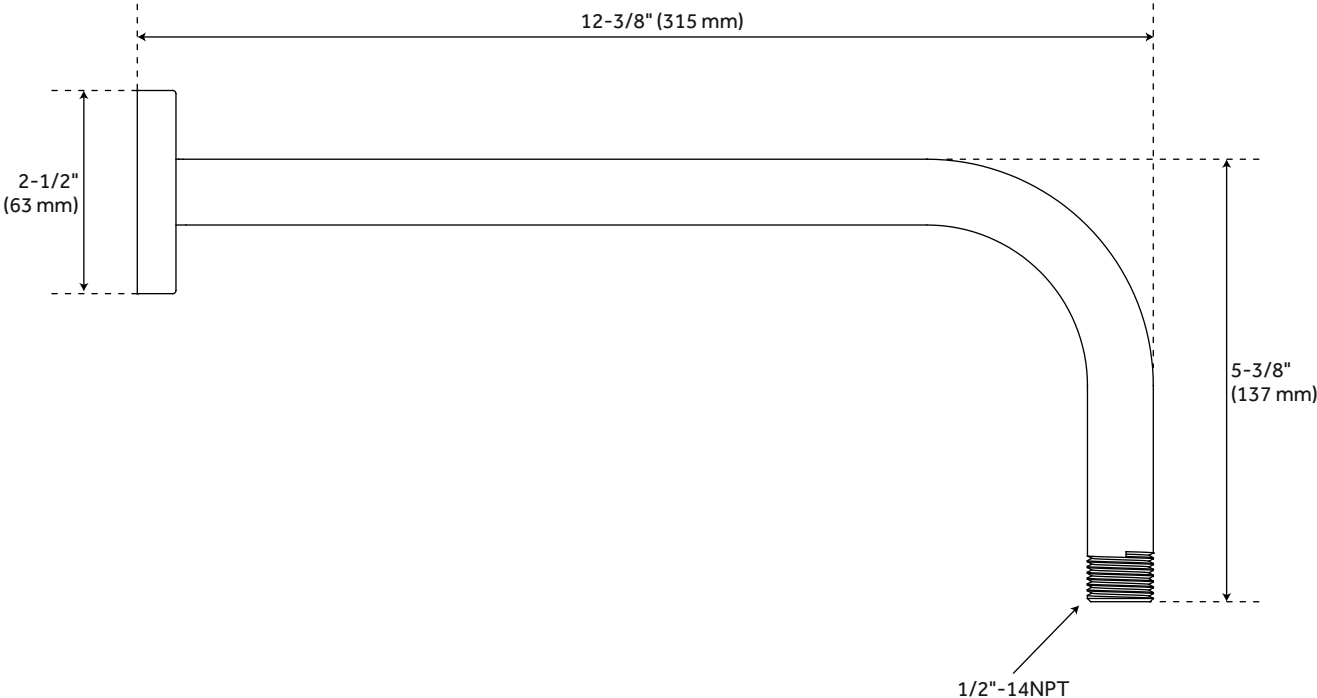
All dimensions and specifications are nominal and may vary. Use actual products for accuracy in critical situations.

VASSOR WALL-MOUNT SHOWER HEAD



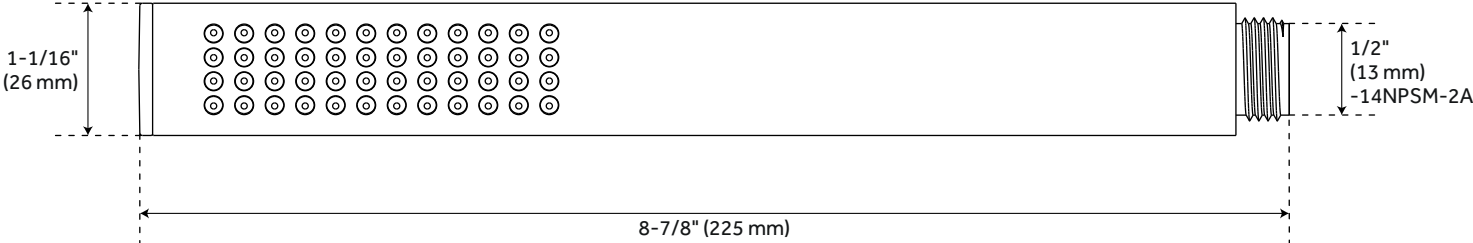
All dimensions and specifications are nominal and may vary. Use actual products for accuracy in critical situations.

VASSOR WALL-MOUNT SHOWER ARM



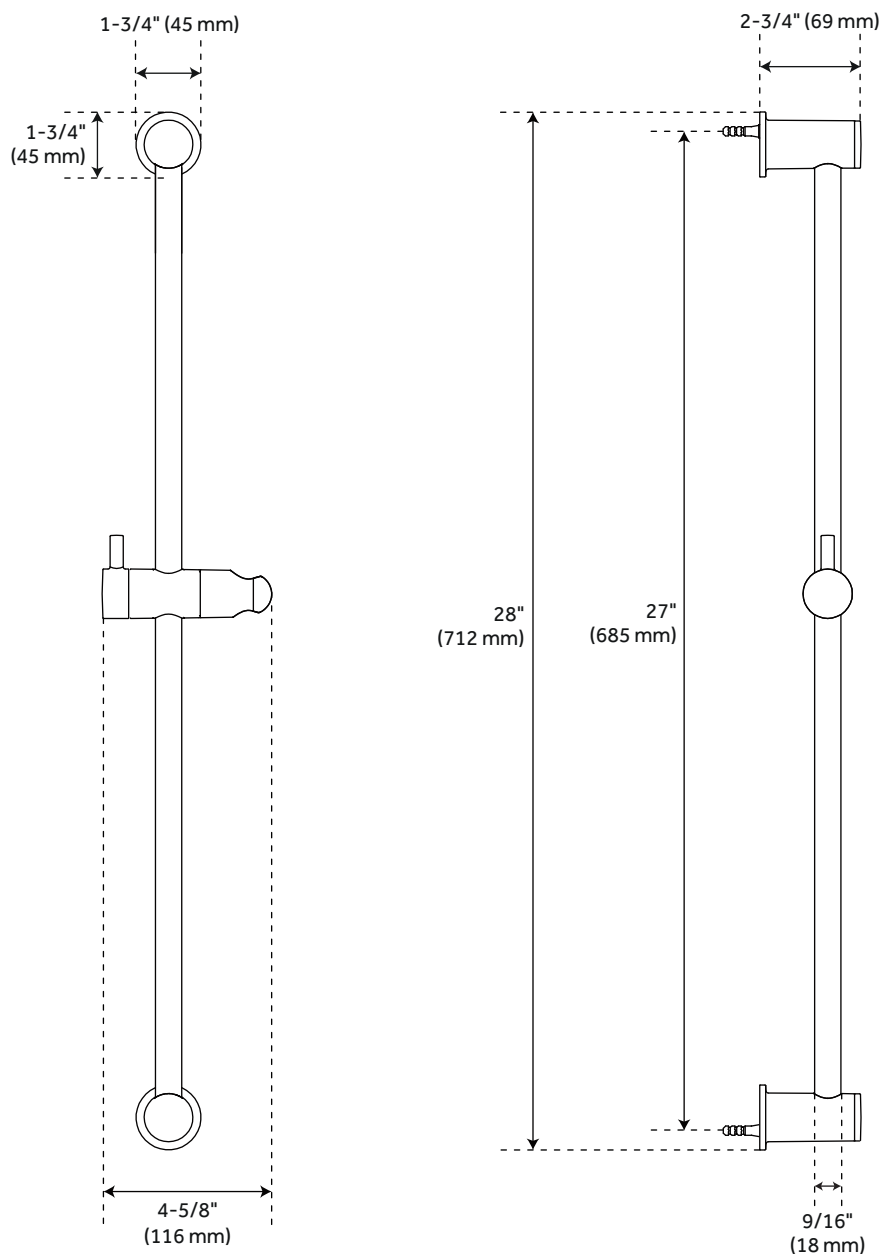
All dimensions and specifications are nominal and may vary. Use actual products for accuracy in critical situations.

VASSOR HAND SHOWER



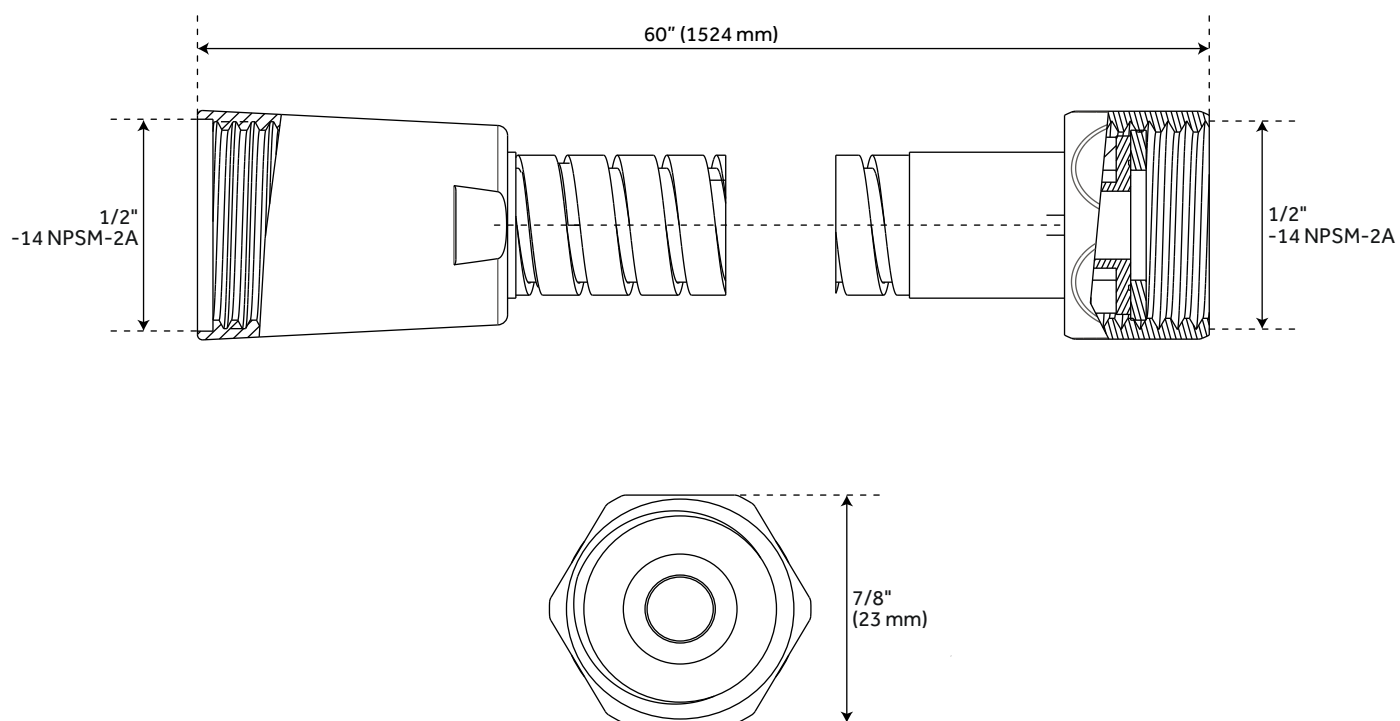
All dimensions and specifications are nominal and may vary. Use actual products for accuracy in critical situations.

VASSOR SLIDE BAR



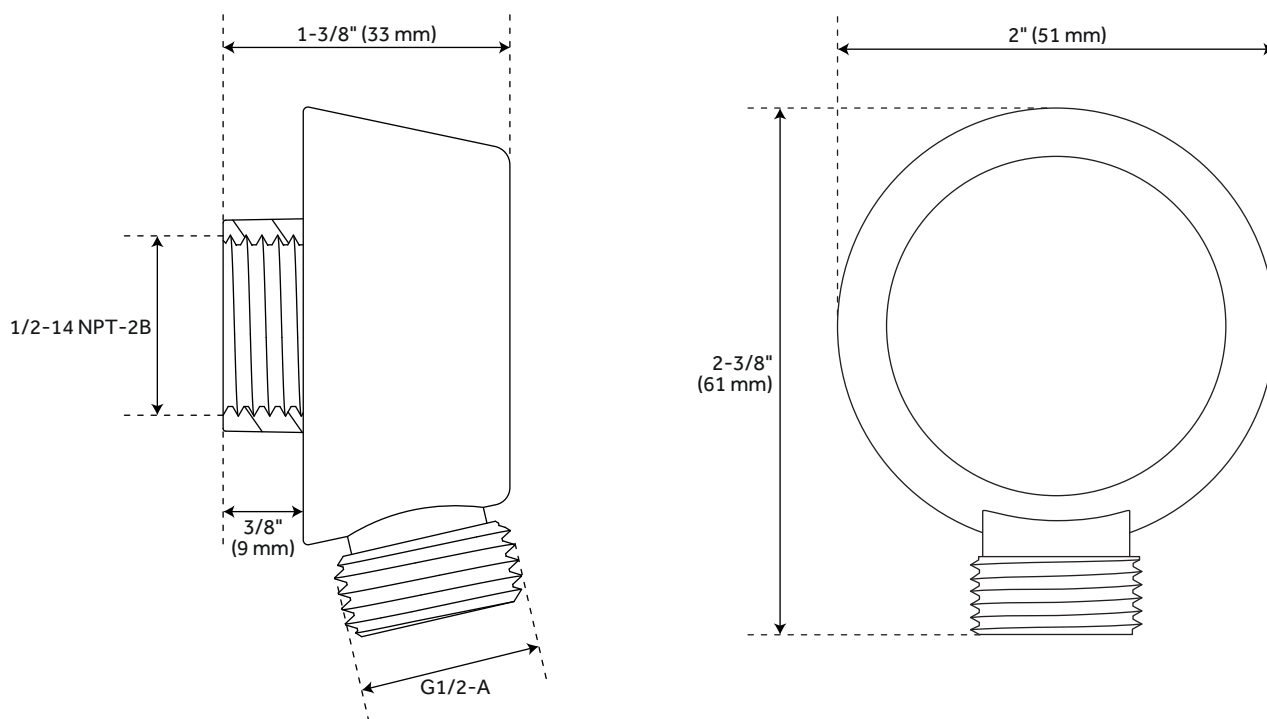
All dimensions and specifications are nominal and may vary. Use actual products for accuracy in critical situations.

VASSOR HAND SHOWER HOSE



All dimensions and specifications are nominal and may vary. Use actual products for accuracy in critical situations.

VASSOR WATER SUPPLY ELBOW



All dimensions and specifications are nominal and may vary. Use actual products for accuracy in critical situations.