

# VASSOR PRESSURE BALANCE SHOWER SYSTEM WITH HAND SHOWER

SKU: 953804

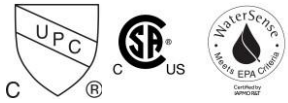
Code: SHVA8010, SH4001, SHRSA122, SHRSB820RG, SHHS4030G, SHH1010, SHWES2050, SHVA9005, SH6103, SH488942



## FEATURES

- Material: Metal
- Shower Head Swivel: Yes
- Hand Shower Spray: Full
- Hand Shower Flow Rate: 1.8 gpm (6.8 L/min) @ 80 psi
- Connection Type: 1/2" MIP and SWT
- Diverter Outlets: 3
- Cartridge Type: Ceramic Disc

ASME A112.18.1/CSA B125.1, ASME A112.18.2/CSA B125.2, ASSE 1016 Type P, CEC Listed, WaterSense by IAPMO, Massachusetts Accepted, LISTED ID: SH4001, SH6103, SHH1010\*, SHHS4030G\*, SHRSB820RG\*, SHWES2050xy, SHRSA122\*, SHVA8010\*, SHVA9005\*, SHRSA123\*



## ADDITIONAL FEATURES

- Metal cross handles.
- Single function 8" Rainfall shower head.
- Hand shower with easy-clean spray nozzles.
- 60" - 72" stretchable metal shower hose.
- Included Rough-in valves:
  - Pressure balance valve features a one-piece cartridge design for ease of maintenance, back-to-back capability, a ceramic disc cartridge, cast bronze valve body, adjustable temperature limit stop, a quick remove plaster guard, easy mounting brackets and integral stops.
  - Diverter valve features a ceramic disc cartridge and brass valve body. Single-Function CALGreen Diverter Valve Cartridge that restricts water flow to one outlet at a time available. (SH6150)

REVISED 6/3/2024

# VASSOR PRESSURE BALANCE SHOWER VALVE

SKU: 953799

Code: SHVA8010, SH4001, SH488906, SH488936



## FEATURES

Material: Metal

Connection Type: 1/2" MIP and SWT

Cartridge Type: Ceramic Disc

ASME A112.18.1/CSA B125.1, ASSE 1016 Type P, Massachusetts Accepted, LISTED ID: SHVA8010\*, SH4001



## ADDITIONAL FEATURES

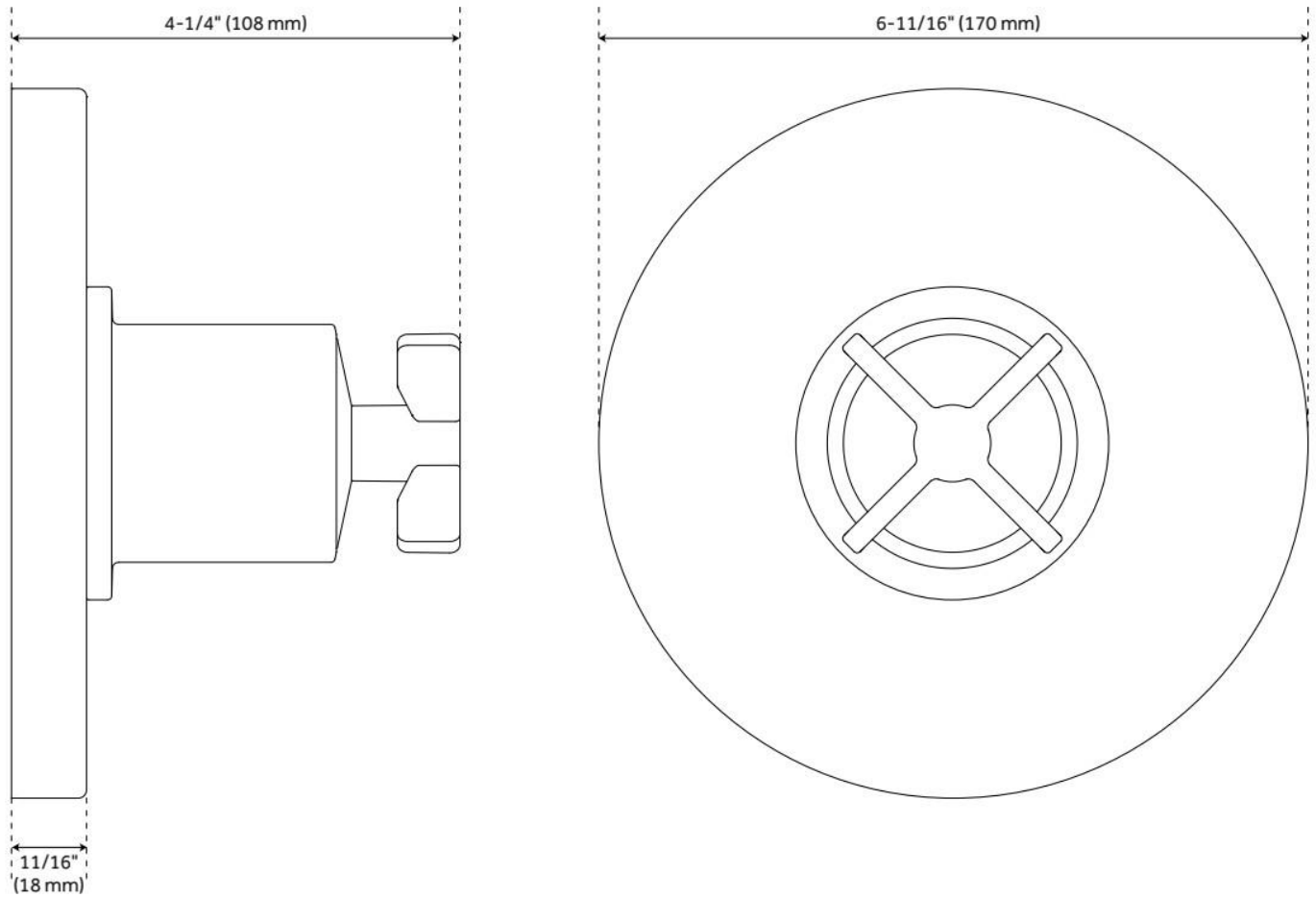
- Metal handle.
- Metal escutcheon.
- Optional Rough-in Valve:
  - Pressure balance valve with integral stops.
  - One-piece cartridge design for ease of maintenance.
  - Back-to-back capability.
  - Ceramic disc valve cartridge.
  - Cast bronze valve body.
  - Adjustable temperature limit stop.
  - Quick remove plaster guard.
  - Easy mounting brackets.

REVISED 5/30/2024

# VASSOR PRESSURE BALANCE SHOWER VALVE

SKU: 953799

Code: SHVA8010, SH4001, SH488906, SH488936



REVISED 5/30/2024

# PRESSURE BALANCE TUB & SHOWER ROUGH-IN VALVE

SKU: 446520  
Code: SH4001



## FEATURES

Material: Bronze  
Flow Rate: 6.34 gpm (24.0 L/min) @ 80 psi  
Connection Type: 1/2" MIP and SWT  
Cartridge Type: Ceramic Disc

IAPMO, ASME A112.18.1/CSA B125.1, ASSE 1016 Type P, Massachusetts Accepted, LISTED ID: SH4001



## ADDITIONAL FEATURES

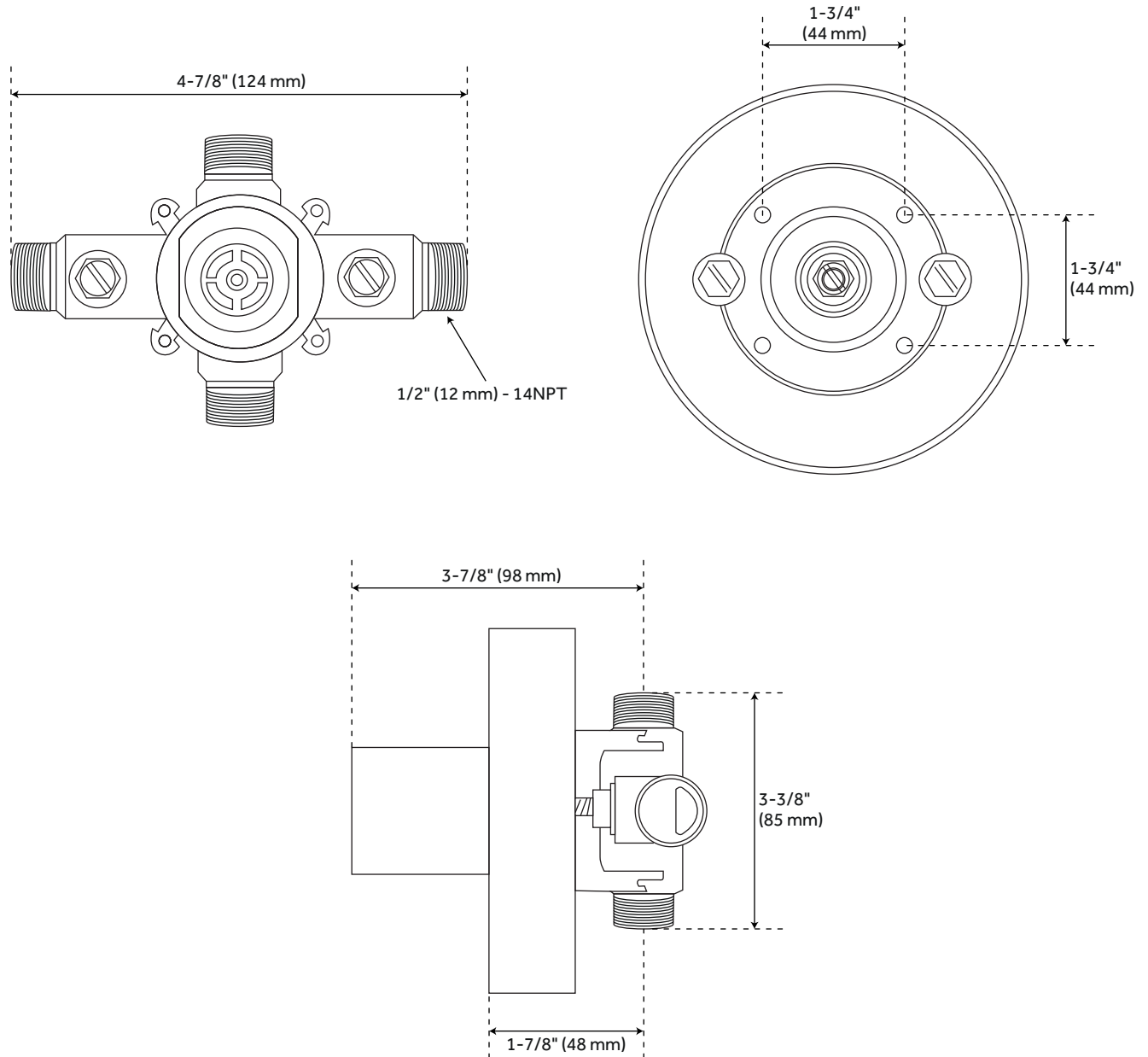
- Compatible with Beasley, Berwyn, Boca Raton, Drea, Edenton, Elita, Greyfield, Gunther, Hibiscus, Key West, Lentz, Lexia, Pendleton, Pinecrest, Provincetown, Rigi, Sefina, Vassor and Vilamonte Pressure Balance Trims.
- Pressure balance valve with integral stops.
- One-piece cartridge design for ease of maintenance.
- Back-to-back capability.
- Ceramic disc valve cartridge.
- Cast bronze valve body.
- Adjustable temperature limit stop.
- Quick remove plaster guard.
- Easy mounting brackets.
- Important Note: Pressure Balancing Valves, regardless of brand, are generally not recommended for use with tankless (on-demand) water heaters. Pressure Balancing Valves adjust to the lowest incoming water

REVISED 5/24/2024

# PRESSURE BALANCE TUB AND SHOWER ROUGH-IN VALVE

SKU: 446520

SH4001



All dimensions and specifications are nominal and may vary. Use actual products for accuracy in critical situations.

# VASSOR IN-WALL SHOWER DIVERTER

SKU: 953802

Code: SHVA9005, SH6101, SH6103, SH488907, SH488937, SH488938



## FEATURES

Material: Metal

ASME A112.18.1/CSA B125.1, ASME A112.18.2/CSA B125.2, Massachusetts Accepted, LISTED ID: SHVA9005\*, SH6101, SH6103



## ADDITIONAL FEATURES

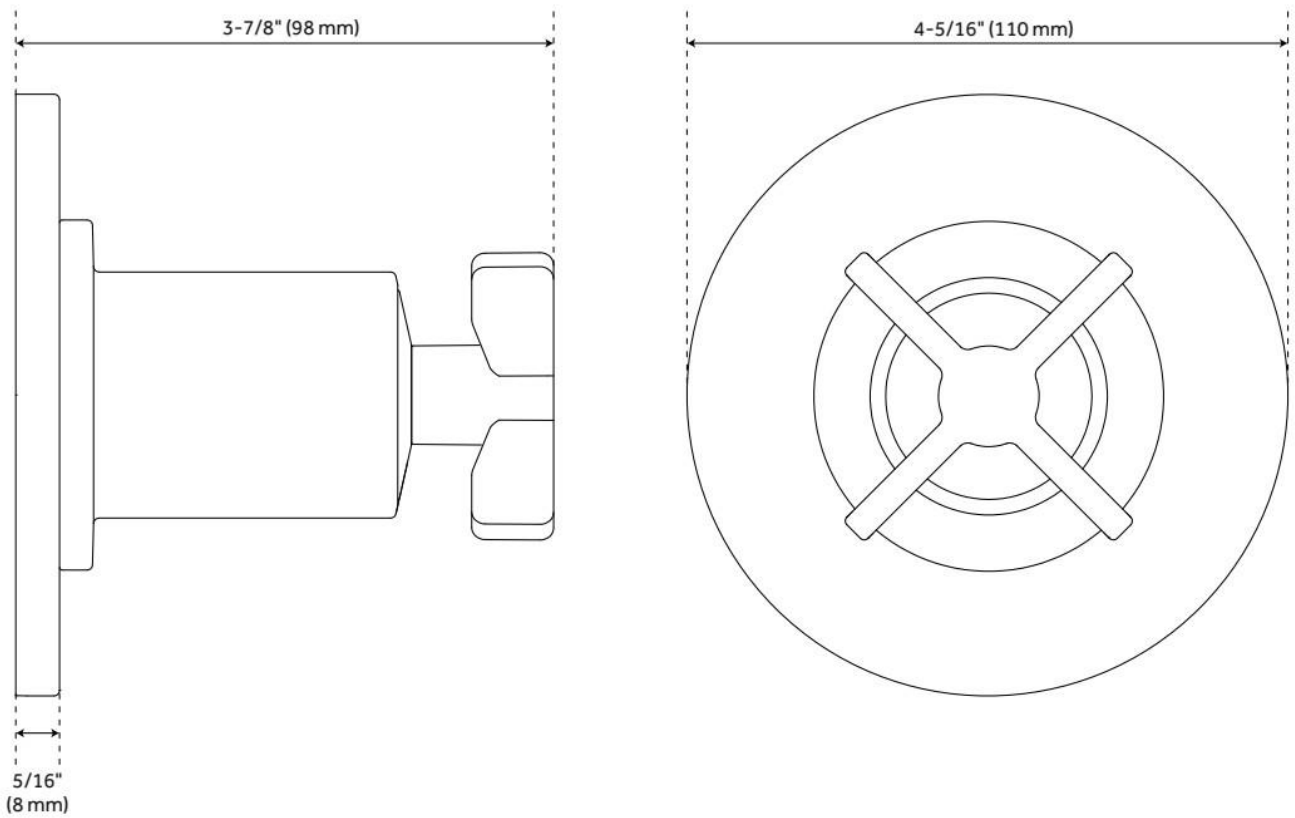
- Metal cross handle.
- Not intended as a shut off valve.
- Wall thickness range: 1" - 1-3/4".
- Extension kit available (SH6101EXT).
- Included Rough-in Valve:
  - Six total settings allow for shared water flow between outlets, giving you the ability to use two functions at once.
  - Single-Function CALGreen Diverter Valve Cartridge that restricts water flow to one outlet at a time available. (SH6150)
  - Brass valve body.
  - Ceramic cartridge.
  - Recommended valve installation depth 1-5/8" to 2-3/8".
  - Must be installed in accordance with provided installation instructions

REVISED 5/30/2024

# VASSOR IN-WALL SHOWER DIVERTER

SKU: 953802

Code: SHVA9005, SH6101, SH6103, SH488907, SH488937, SH488938



REVISED 5/30/2024

# 3-WAY IN-WALL DIVERTER ROUGH-IN VALVE - 3/4"

SKU: 446519  
Code: SH6103

## FEATURES

Material: Brass  
Cartridge Type: Ceramic Disc



IAPMO, ASME A112.18.1/CSA B125.1, ASME A112.18.2/CSA B125.2, Massachusetts Accepted, LISTED ID: SH6103



## ADDITIONAL FEATURES

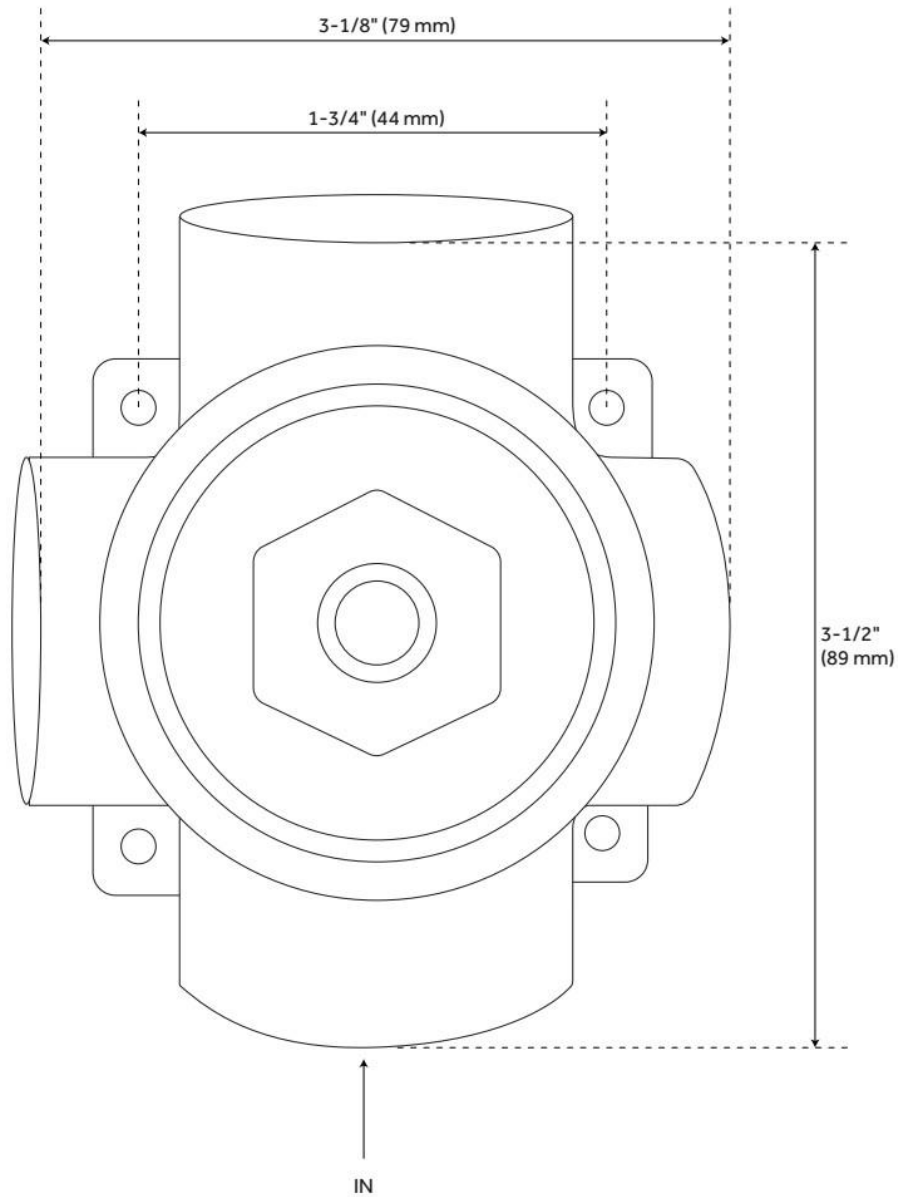
- Six total settings allow for shared water flow between outlets, giving you the ability to use two functions at once.
- Ceramic cartridge.
- Available Single-Function Diverter Valve Cartridge restricts water flow to one outlet at a time.
- Not intended as a shut off valve.
- For installations only requiring 2 outlets, the 3rd outlet may be looped into one of the existing pipes.
- Compatible with Beasley, Berwyn, Boca Raton, Drea, Edenton, Elita, Greyfield, Gunther, Hibiscus, Key West, Lentz, Lexia, Pendleton, Pinecrest, Provincetown, Rigi, Sefina, Vassor and Vilamonte Diverter Trims.

REVISED 5/24/2024



# 3-WAY IN-WALL DIVERTER ROUGH-IN VALVE - 3/4"

SKU: 446519  
Code: SH6103



REVISED 5/24/2024

# CYLINDRICAL WALL-MOUNT SHOWER ARM

SKU: 953769

Code: SHRSA122, SH484204, SHRSA122PB, SHRSA122PN

## FEATURES

Material: Metal

Connection Type: 1/2" NPT



ASME A112.18.1/CSA B125.1, Massachusetts Accepted, LISTED ID: SHRSA122\*



## ADDITIONAL FEATURES

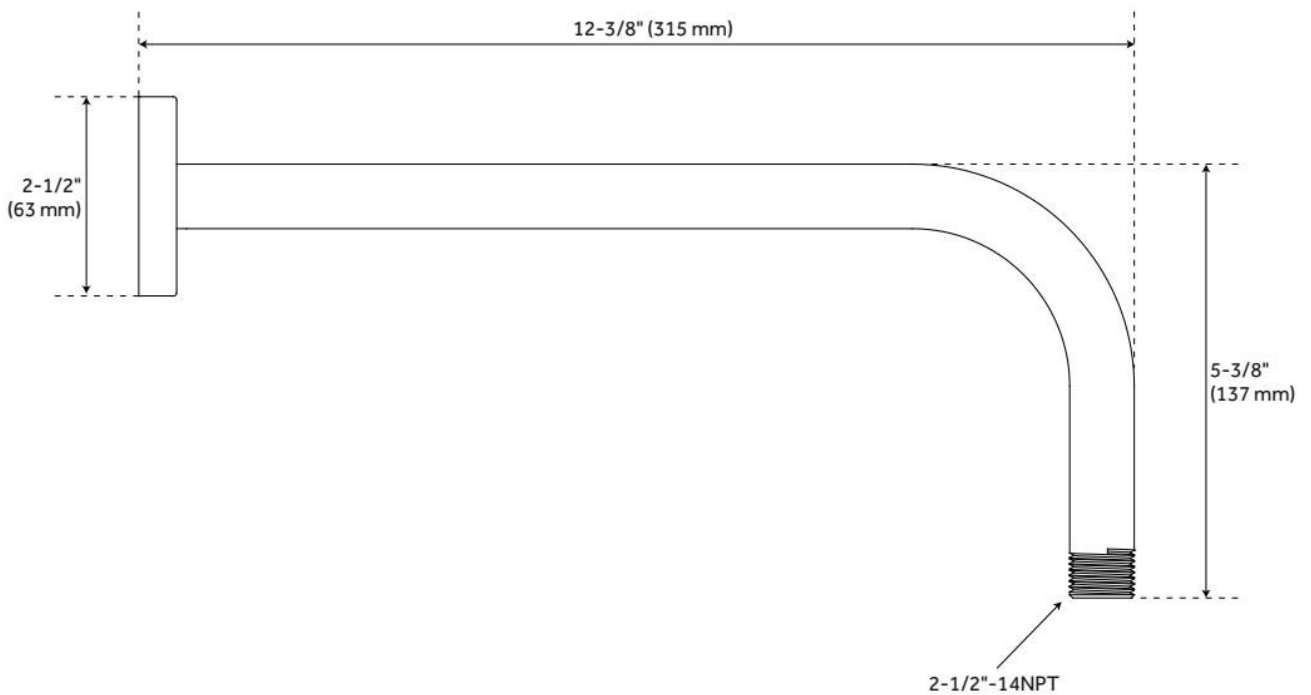
- Escutcheon included.

REVISED 5/30/2024

# CYLINDRICAL WALL-MOUNT SHOWER ARM

SKU: 953769

Code: SHRSA122, SH484204, SHRSA122PB, SHRSA122PN



REVISED 5/30/2024

# 8" MODERN ROUND RAINFALL SHOWER HEAD - 1.8 GPM - CHROME

SKU: 948948-18

Code: SHRSB820RG, SH484203, SH485499, SHRSB820RGPB



## FEATURES

Material: ABS

Shower Head Swivel: Yes

ASME A112.18.1/CSA B125.1, CEC Listed, WaterSense by IAPMO, Massachusetts Accepted, LISTED ID: SHRSB820RG\*

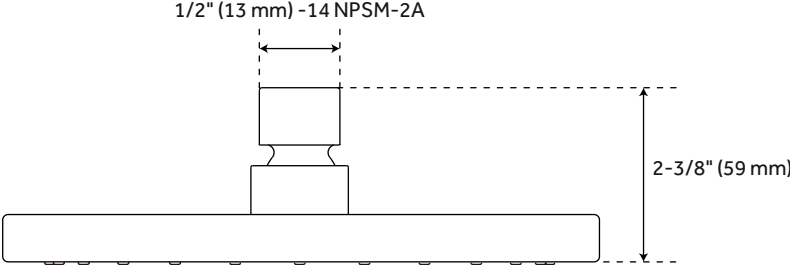
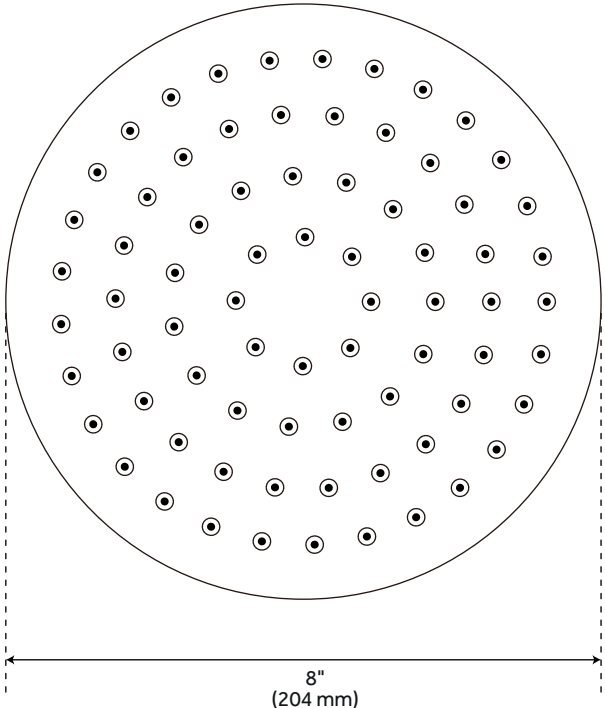


## ADDITIONAL FEATURES

- Single function shower head (full spray).
- Easy clean rubber nozzles.
- Brass ball joint.

REVISED 5/24/2024

# MODERN ROUND RAINFALL SHOWER HEAD - 1.8 GPM



All dimensions and specifications are nominal and may vary. Use actual products for accuracy in critical situations.

# CONTEMPORARY TUBULAR HAND SHOWER

SKU: 948923

Code: SHHS4030G, SH488912, SHHS4030GPB



## FEATURES

Material: ABS

Hand Shower Spray: Full

Hand Shower Flow Rate: 1.8 gpm (6.8 L/min) @ 80 psi

ASME A112.18.1/CSA B125.1, CEC Listed, WaterSense by IAPMO, Massachusetts Accepted, LISTED ID: SHHS4030G\*



## ADDITIONAL FEATURES

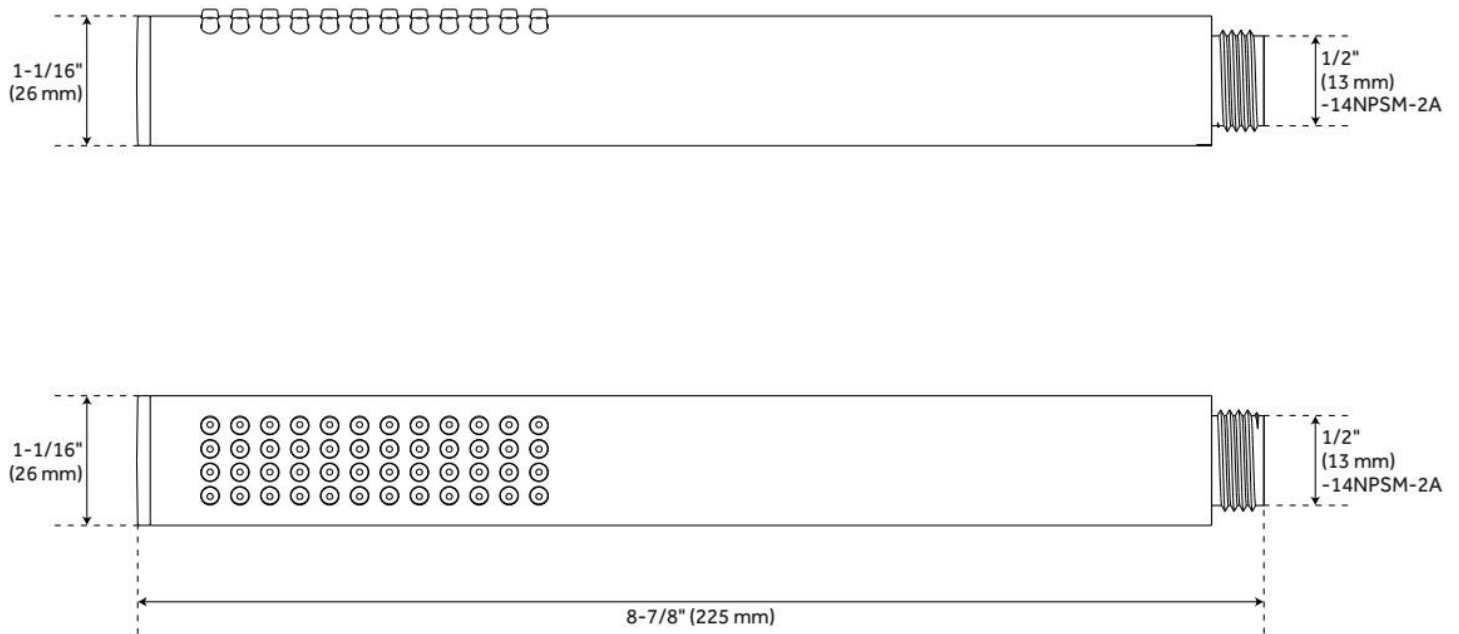
- Single function hand shower.
- Easy-clean spray nozzles.
- Factory installed backflow prevention check valve.
- Hose sold separately.

REVISED 5/30/2024

# CONTEMPORARY TUBULAR HAND SHOWER

SKU: 948923

Code: SHHS4030G, SH488912, SHHS4030GPB



REVISED 5/30/2024

# SWIVEL WATER SUPPLY ELBOW AND BRACKET FOR HAND SHOWER

SKU: 948936

Code: SHWES2050, SH485446, SH485535

## FEATURES

Material: Metal, ABS

Connection Type: 1/2" NPT



ASME A112.18.1/CSA B125.1, LISTED ID: SHWES2050xy



## ADDITIONAL FEATURES

- 1/2" Female wall connection.
- 1/2" Male hose connection.
- Brass inlet/outlet, ABS body.

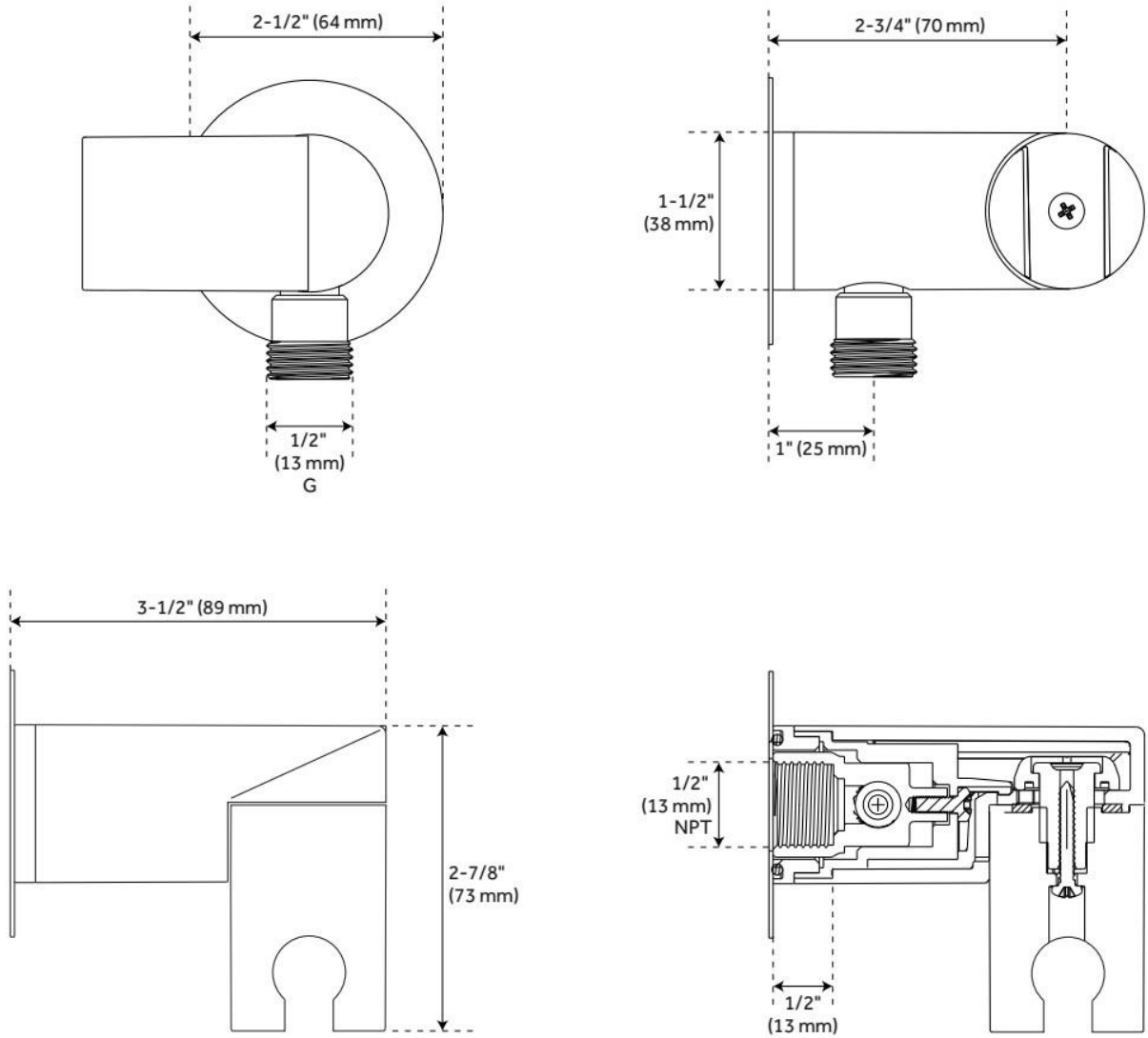
REVISED 5/30/2024



# SWIVEL WATER SUPPLY ELBOW AND BRACKET FOR HAND SHOWER

SKU: 948936

Code: SHWES2050, SH485446, SH485535



REVISED 5/30/2024

# 60" METAL HAND SHOWER HOSE

SKU: 948088  
Code: SHH1010

## FEATURES

Connection Type: 1/2" IPS



ASME A112.18.1/CSA B125.1, Massachusetts Accepted, LISTED ID: SHH1010\*



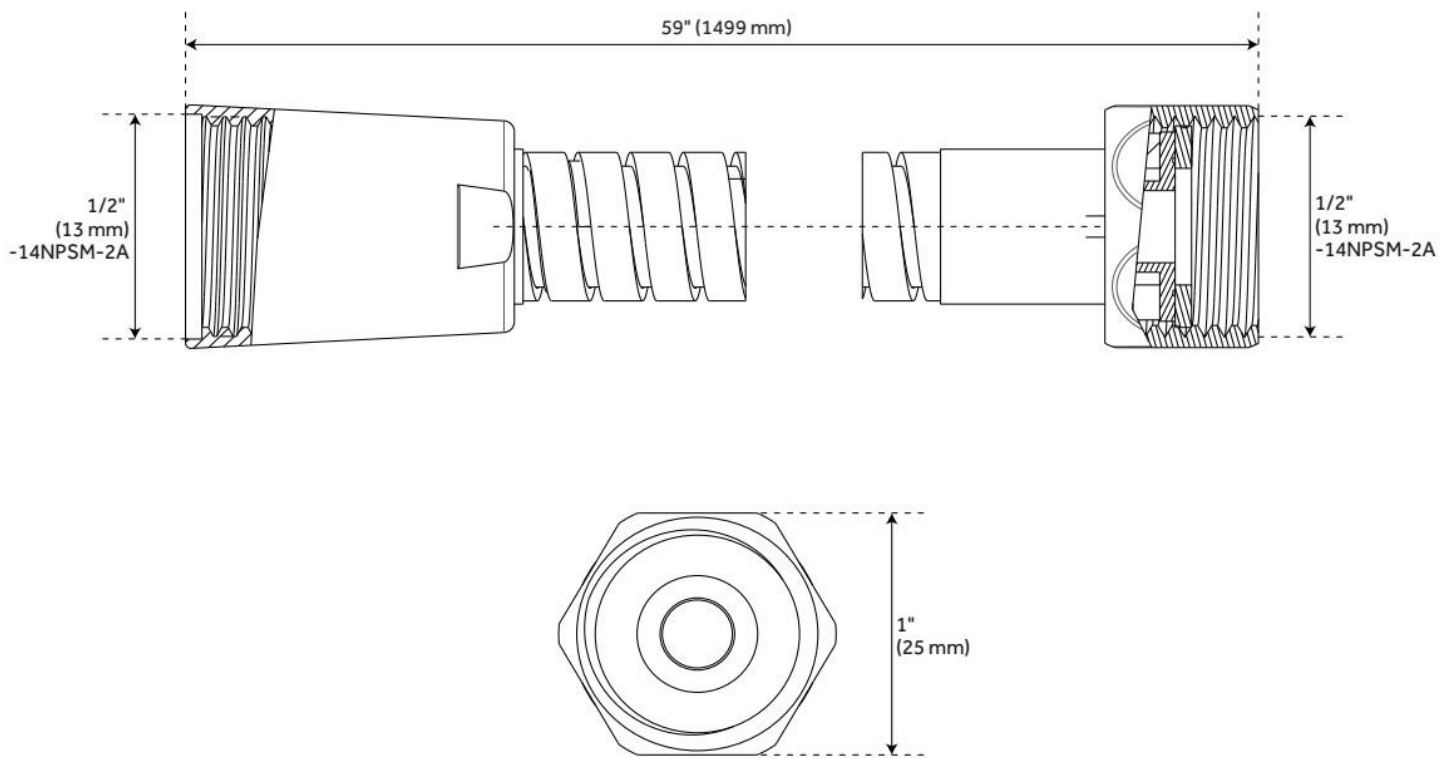
## ADDITIONAL FEATURES

- Hand Sprayer sold separately.
- 60" - 72" stretchable metal shower hose.
- Double spiral constructed hose.

REVISED 5/24/2024

# 60" METAL HAND SHOWER HOSE

SKU: 948088  
Code: SHH1010



REVISED 5/24/2024