

# VASSOR PRESSURE BALANCE SHOWER SYSTEM WITH HAND SHOWER

SKU: 953804

Code: SHVA8010, SH4001, SHRSA122, SHRSB820RG, SHHS4030G, SHH1010, SHWES2050, SHVA9005, SH6103, SH488942



## FEATURES

Installation Type: Wall Mount  
Features: Rough-In Included; Pressure-Balanced; Hand Shower Included  
Design: Modern  
Material: Metal  
Assembly Required: Yes  
Faucet Material: Metal  
Shape: Round  
Handle Type: Cross  
Shower Head Installation Type: Wall  
Number of Shower Heads: 1  
Shower Head Diameter: 8"  
Shower Head Material: ABS  
Shower Head Spray: Rainfall  
Shower Arm Included: Yes  
Shower Arm Extension: 12-3/8"  
Shower Arm Height: 5-3/8"  
Shower Head IPS: 1/2"  
Shower Head Swivel: Yes  
Hand Shower Length: 8-7/8"  
Hand Shower Hose Length: 60"  
Hand Shower Material: ABS  
Hand Shower Flow Rate: 1.8 gpm (6.8 L/min) @ 80 psi  
Diverter Included: Yes  
Diverter Outlets: 3  
Rainfall Shower Head Flow Rate: 1.8 gpm (6.8 L/min) @ 80 psi  
Handle Material: Metal

ASME A112.18.1/CSA B125.1  
WaterSense by IAPMO



C<sup>®</sup>

REVISED 1/23/2024

# VASSOR PRESSURE BALANCE SHOWER SYSTEM WITH HAND SHOWER

SKU: 953804

Code: SHVA8010, SH4001, SHRSA122, SHRSB820RG, SHHS4030G, SHH1010, SHWES2050, SHVA9005, SH6103, SH488942

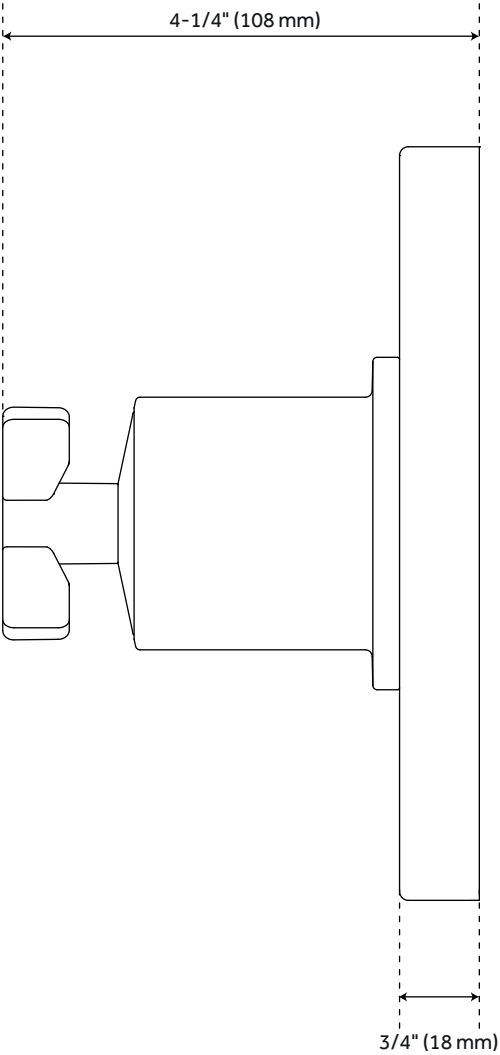
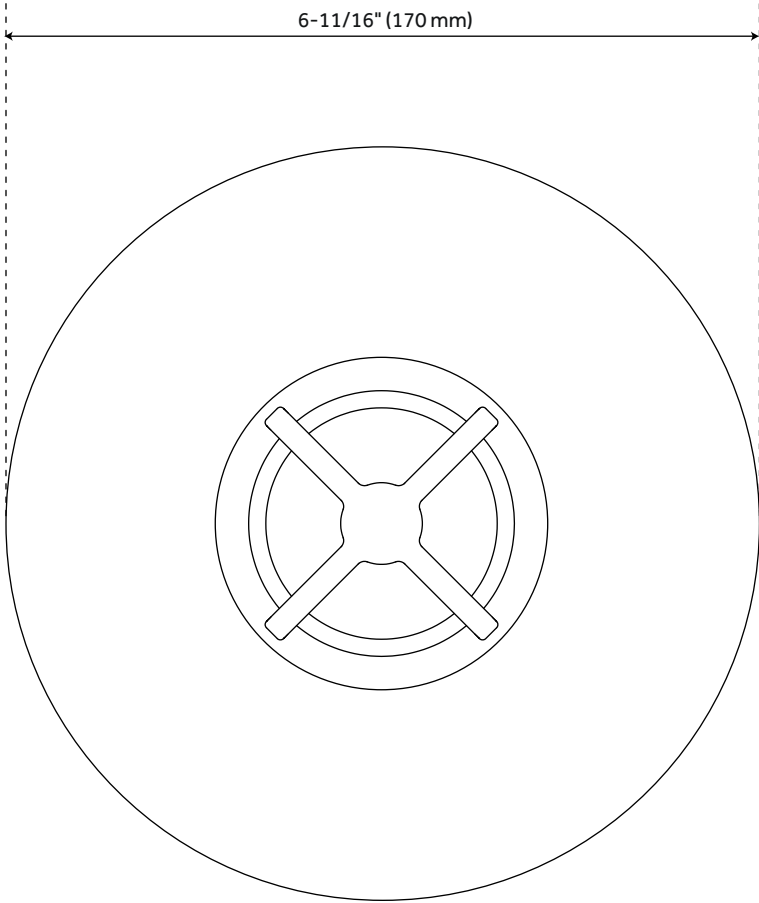


## ADDITIONAL FEATURES

- Metal cross handles.
- Single function 8" Rainfall shower head.
- Hand shower with easy-clean spray nozzles.
- 60" - 72" stretchable metal shower hose.
- Included Rough-in valves:
  - Pressure balance valve features a one-piece cartridge design for ease of maintenance, back-to-back capability, a ceramic disc cartridge, cast bronze valve body, adjustable temperature limit stop, a quick remove plaster guard, easy mounting brackets and integral stops.
  - Diverter valve features a ceramic disc cartridge and brass valve body. Single-Function CALGreen Diverter Valve Cartridge that restricts water flow to one outlet at a time available. (SH6150)

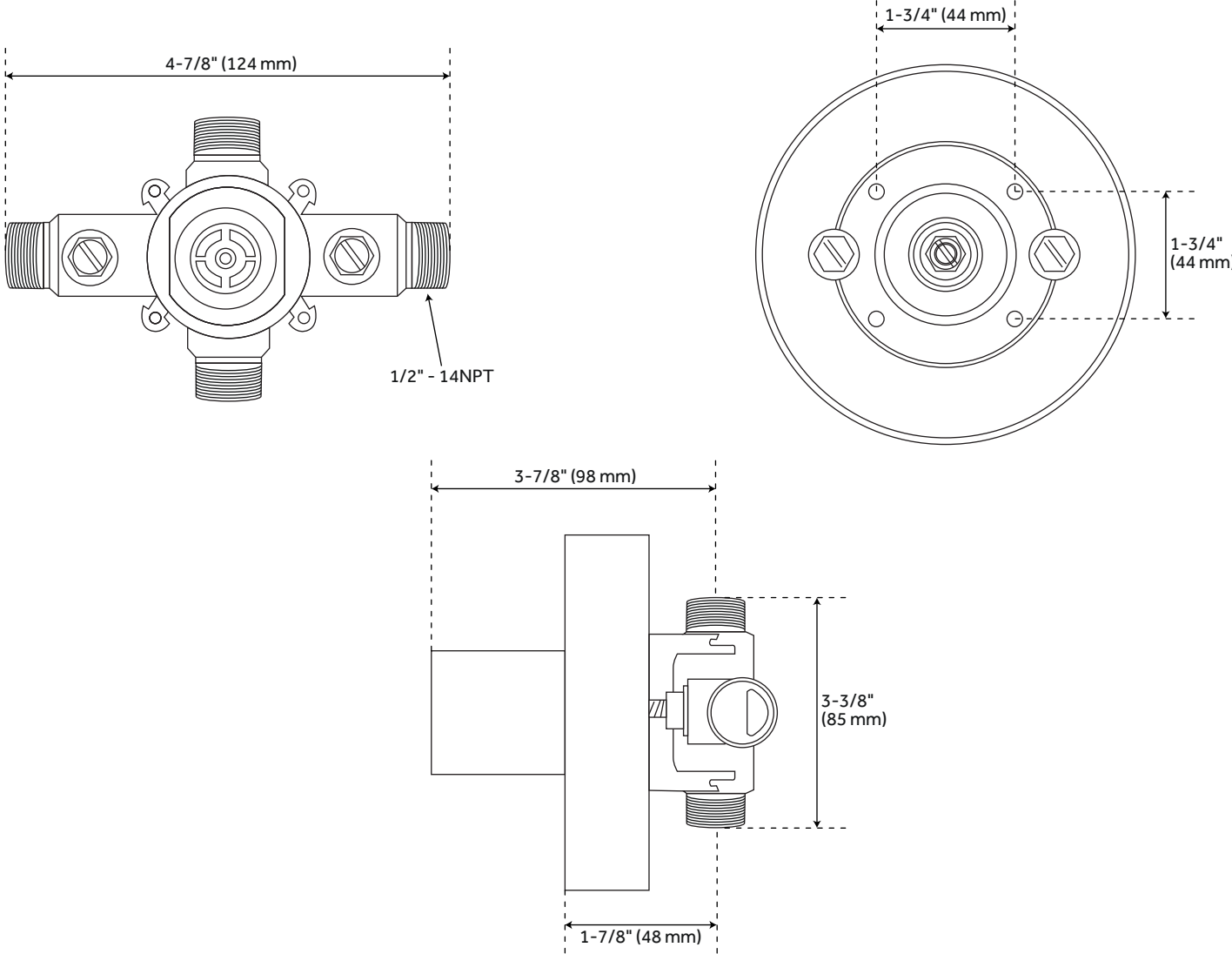
REVISED 1/23/2024

# VASSOR PRESSURE BALANCE SHOWER TRIM



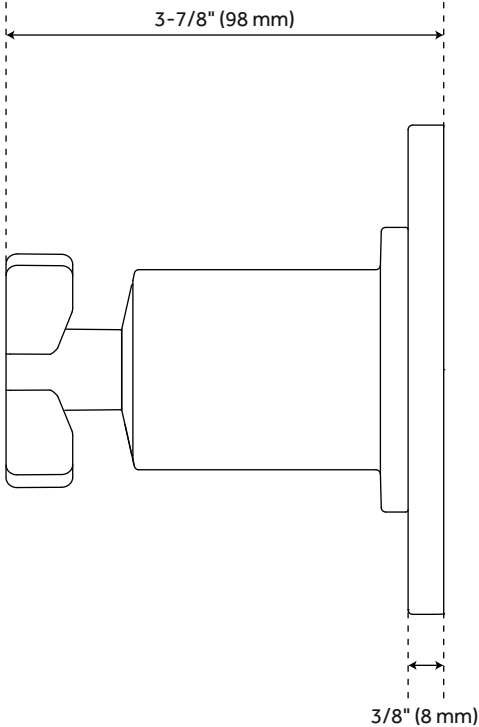
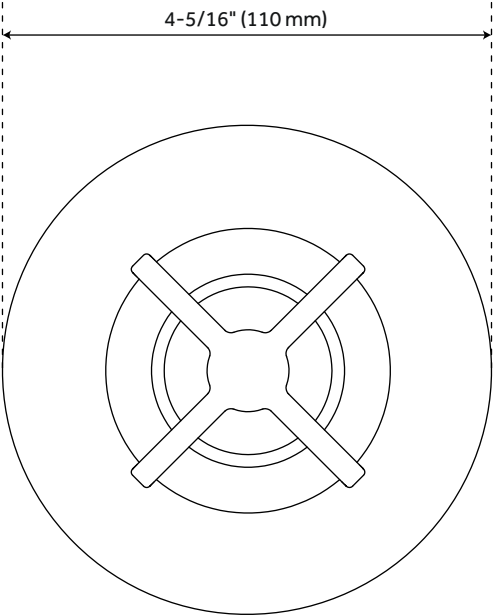
All dimensions and specifications are nominal and may vary. Use actual products for accuracy in critical situations.

# VASSOR PRESSURE BALANCE ROUGH-IN VALVE



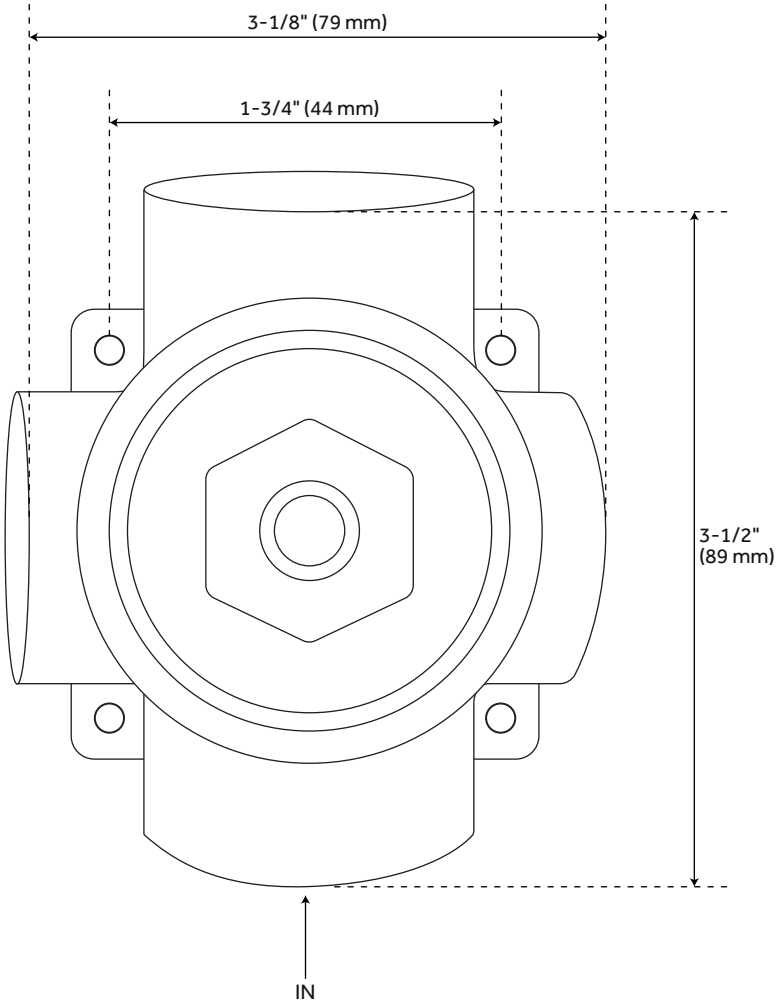
All dimensions and specifications are nominal and may vary. Use actual products for accuracy in critical situations.

# VASSOR IN-WALL SHOWER DIVERTER TRIM



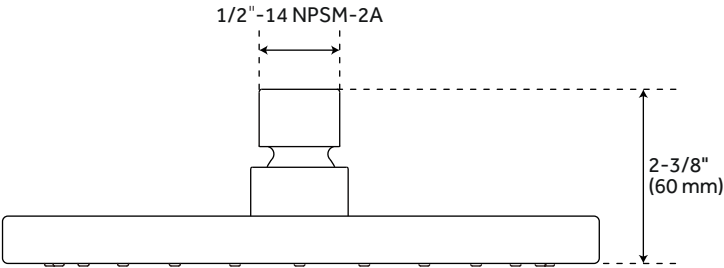
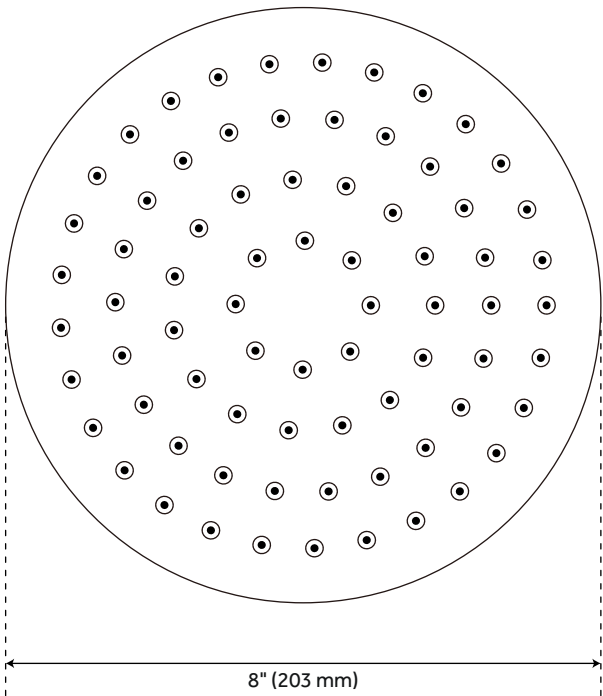
All dimensions and specifications are nominal and may vary. Use actual products for accuracy in critical situations.

# VASSOR IN-WALL DIVERTER ROUGH-IN VALVE



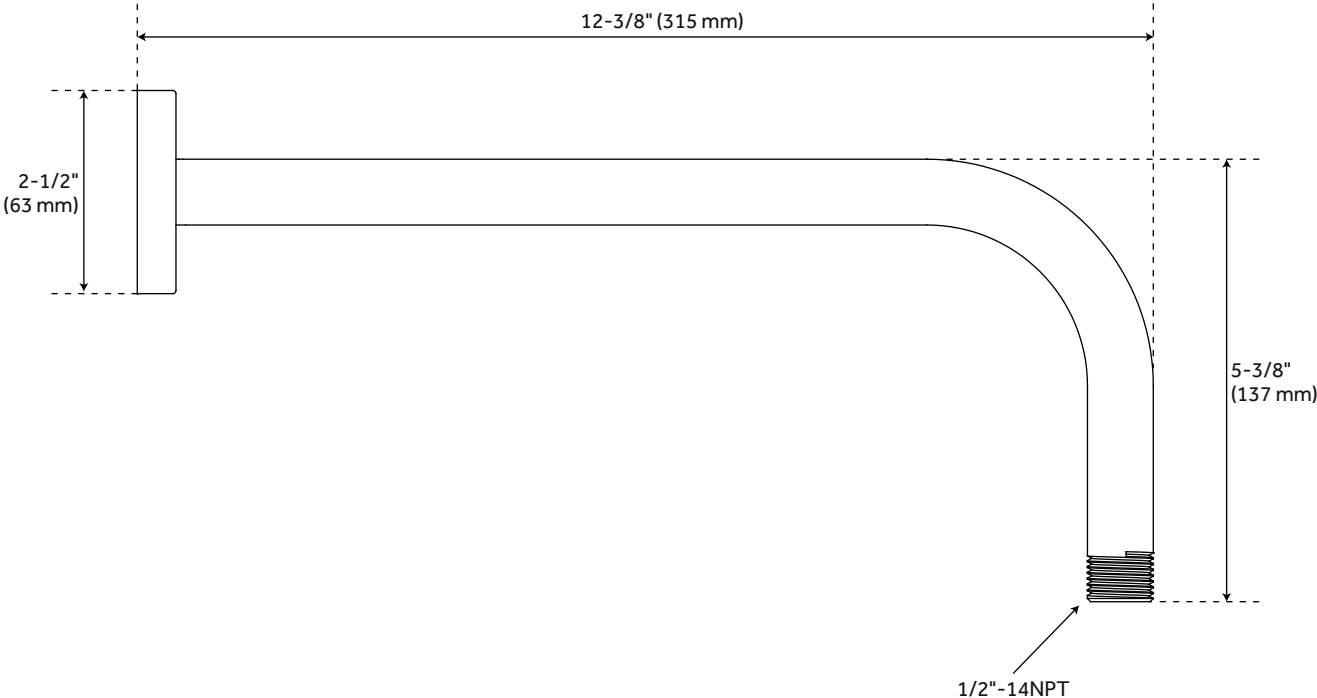
All dimensions and specifications are nominal and may vary. Use actual products for accuracy in critical situations.

# VASSOR WALL-MOUNT SHOWER HEAD



All dimensions and specifications are nominal and may vary. Use actual products for accuracy in critical situations.

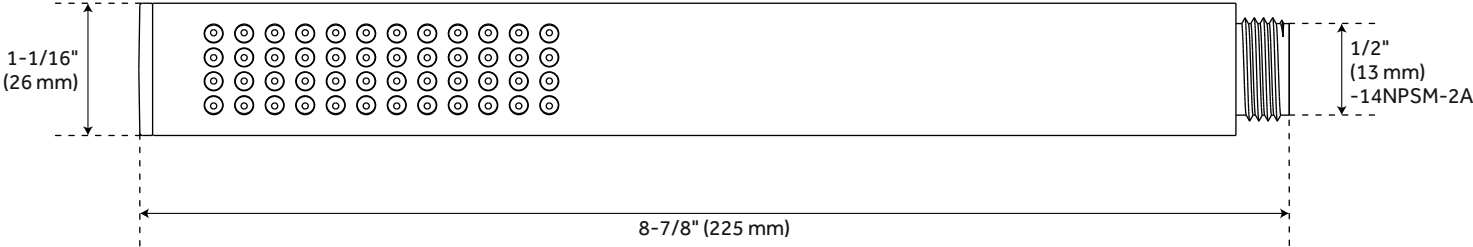
# VASSOR WALL-MOUNT SHOWER ARM



All dimensions and specifications are nominal and may vary. Use actual products for accuracy in critical situations.

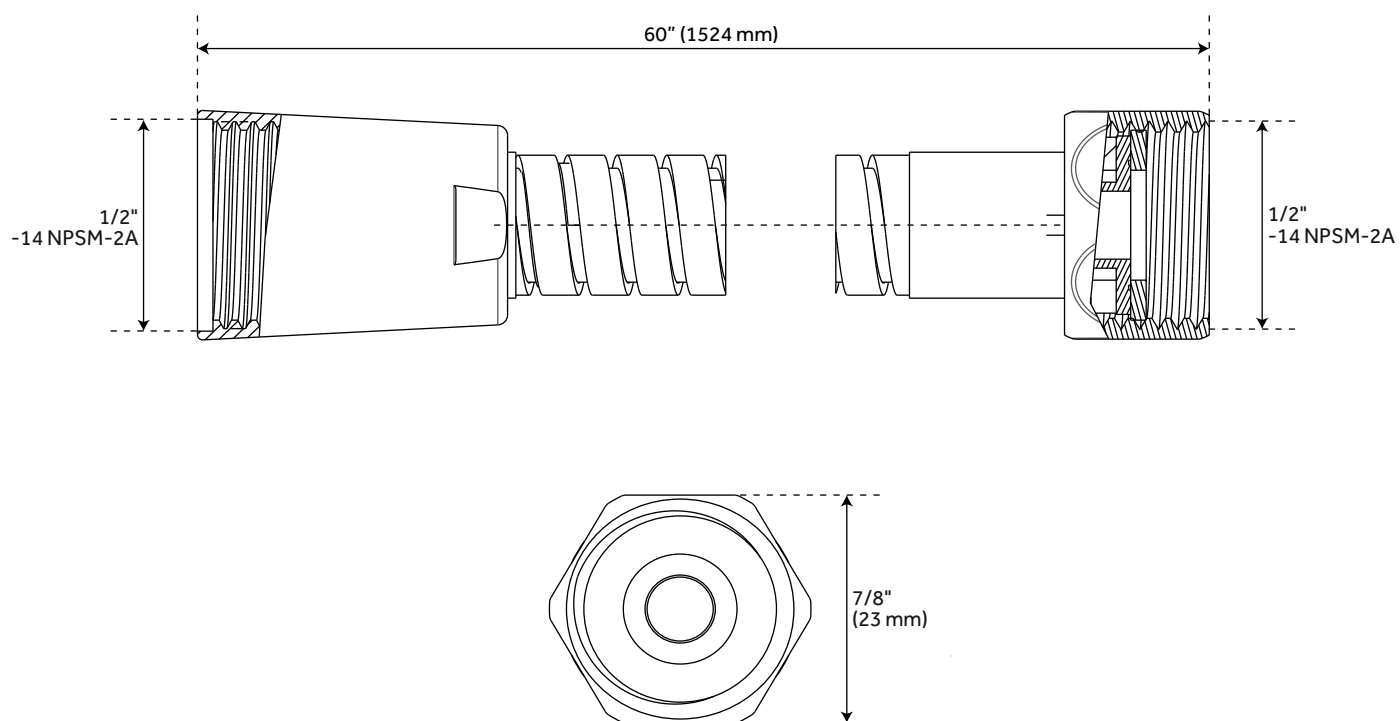


# VASSOR HAND SHOWER



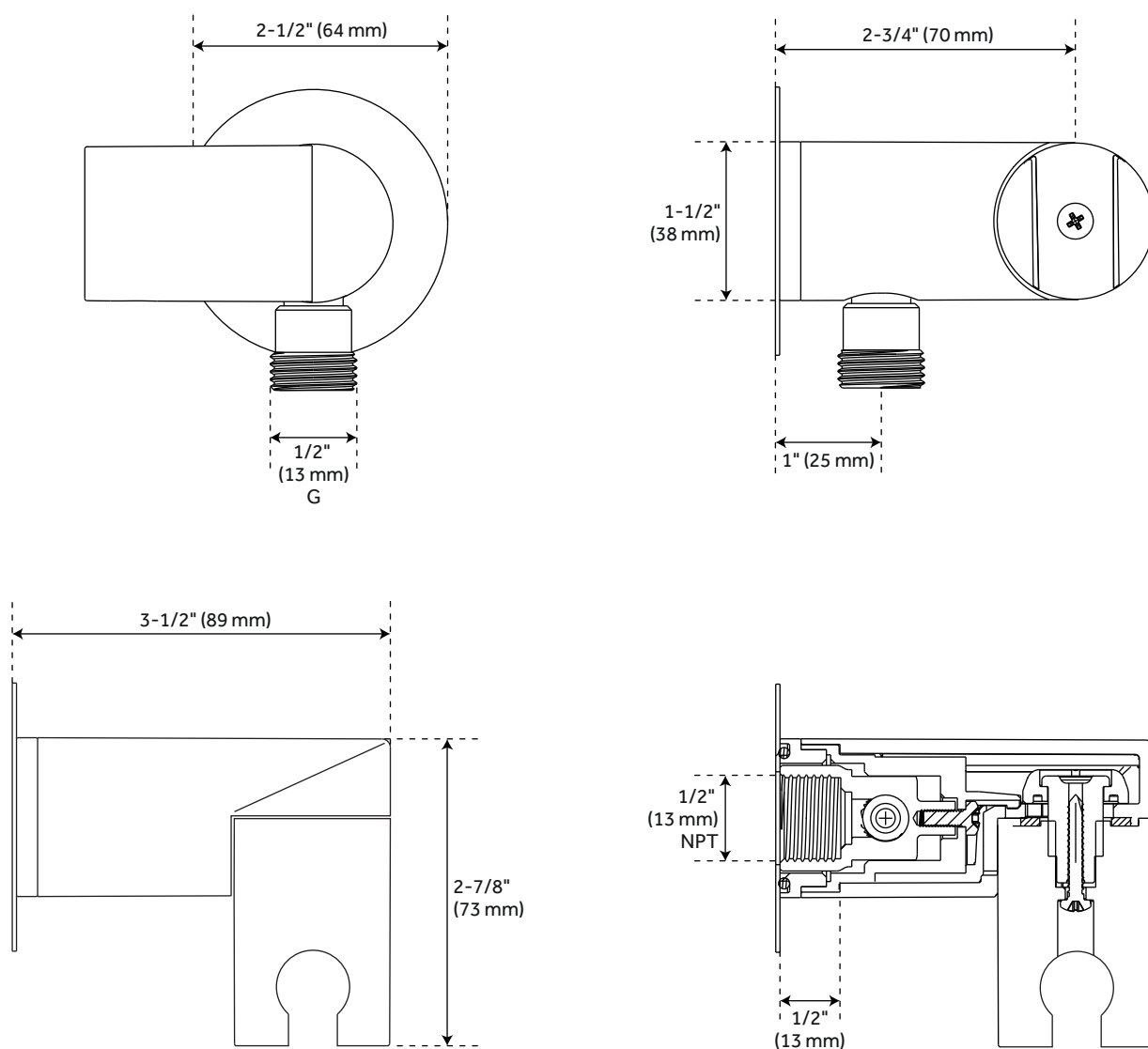
All dimensions and specifications are nominal and may vary. Use actual products for accuracy in critical situations.

# VASSOR HAND SHOWER HOSE



All dimensions and specifications are nominal and may vary. Use actual products for accuracy in critical situations.

# VASSOR SWIVEL WATER SUPPLY ELBOW AND BRACKET FOR HAND SHOWER



All dimensions and specifications are nominal and may vary. Use actual products for accuracy in critical situations.