

# CONCEALED IN-WALL TANK CARRIER FOR WALL MOUNT TOILET

SKU: 953818

Code: SH484123, SH484125, SH484126, SH484127



## FEATURES

Material: Vitreous China  
Toilet Style: Wall-Hung  
Flush Handle Location: Wall  
Bowl Height: 15" to 20-3/4"  
Gallons Per Flush: Dual Flush - 1.6 / 1.1 GPF (6.0 / 4.1 LPF)  
Flush Type: Gravity  
Flush Valve Size: 1-1/2"  
Seat Included: No

ASME A112.19.2/CSA B45.1, WaterSense by IAPMO, LISTED ID: SH111003-B-WC Must be kitted with certified bowl, SH111003-B-WC



## ADDITIONAL FEATURES

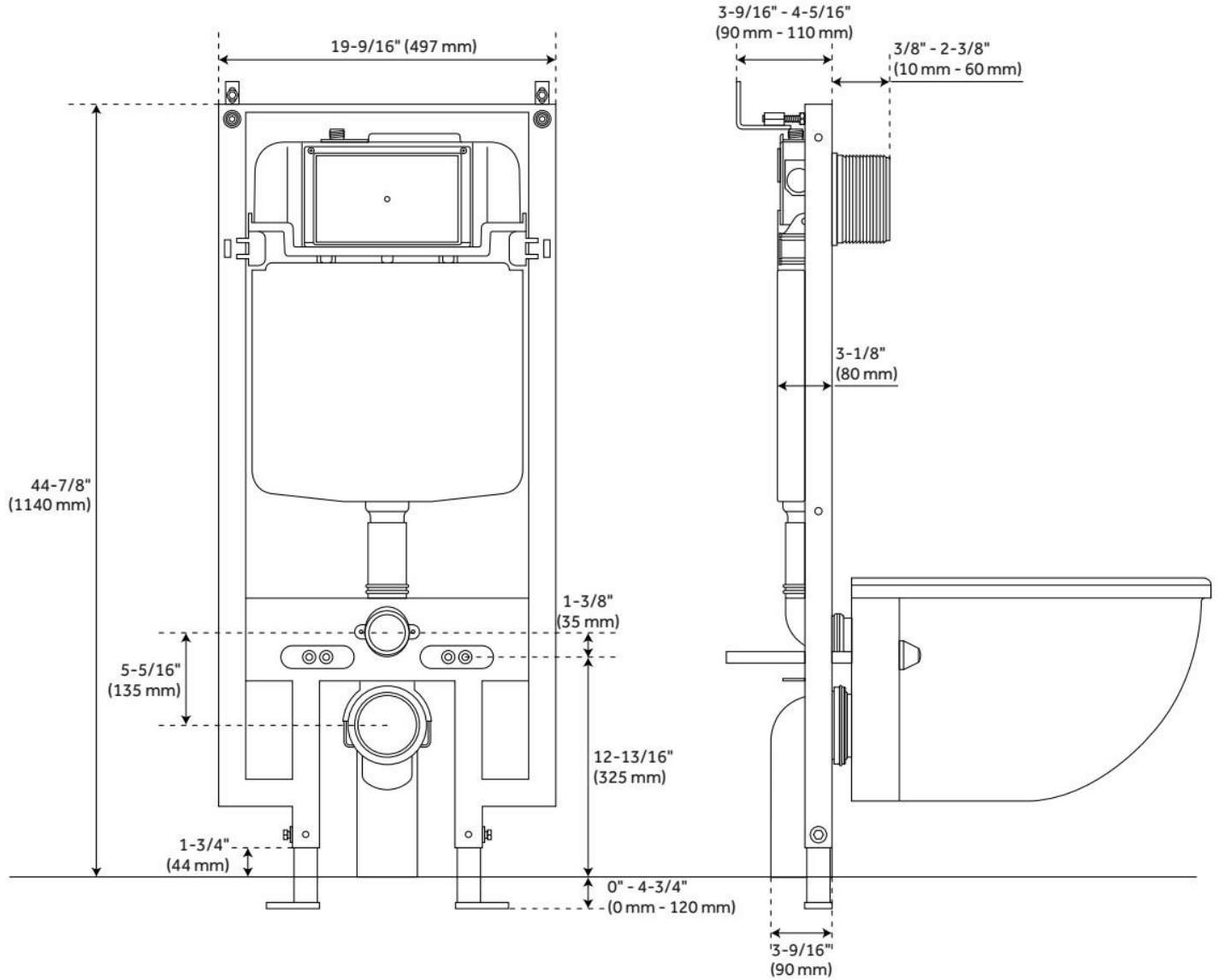
- Dual-flush toilet. 1.08 / 1.6 gallons per flush.
- Compatible with the Arnelle Wall-Mount Toilet.
- Bowl sold separately.

REVISED 7/17/2024

# CONCEALED IN-WALL TANK CARRIER FOR WALL MOUNT TOILET

SKU: 953818

Code: SH484123, SH484125, SH484126, SH484127



REVISED 7/17/2024