

PROVINCETOWN PRESSURE BALANCE SHOWER SYSTEM WITH SLIDE BAR AND HAND SHOWER

SKU: 953884

Code: SHPR8020G, SH4001, SH441155, SHH1010, SHWE2040, SHSB3040, SHPR9005N, SH6103



FEATURES

Shower Head Swivel: Yes

Shower Head Spray: Full, Massage, Massage + Full

Shower Head Flow Rate: 1.8 gpm (6.8 L/min) @ 80 psi

Hand Shower Spray: Rainfall, Massage, Rain + Massage

Hand Shower Flow Rate: 1.8 gpm (6.8 L/min) @ 80 psi

Connection Type: 1/2" MIP and SWT

Diverter Outlets: 3

Cartridge Type: Ceramic Disc

ASME A112.18.1/CSA B125.1, ASME A112.18.2/CSA B125.2, ASSE 1016 Type P, CEC Listed, WaterSense by IAPMO, Massachusetts Accepted, LISTED ID: SHPR9005N*, SH4001, SH6103, SHH1010*, SHPR8020G*, N/A, SHWE2040*, SH441155**



ADDITIONAL FEATURES

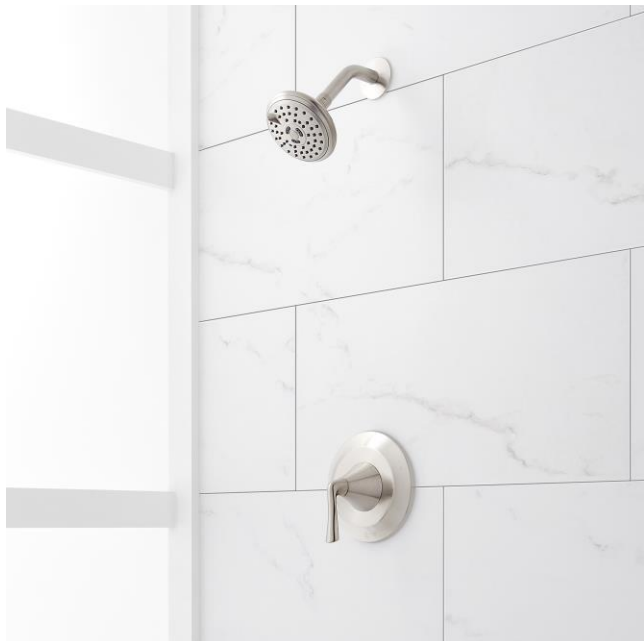
- Metal lever handles.
- 3 function showerhead and hand held (full spray, massage spray and full & massage spray)
- 60" - 72" stretchable metal shower hose.
- Included Rough-in valves:
- Pressure balance valve features a one-piece cartridge design for ease of maintenance, back-to-back capability, a ceramic disc cartridge, cast bronze valve body, adjustable temperature limit stop, a quick remove plaster guard, easy mounting brackets and integral stops.
- Ceramic cartridge.
- Diverter valve features a ceramic disc cartridge and brass valve body. Single-Function CALGreen Diverter Valve Cartridge that restricts water flow to one outlet at a time is available. (SH6150)

REVISED 11/8/2024

PROVINCETOWN PRESSURE BALANCE SHOWER SET

SKU: 948666

Code: SHPR8020G, SH4001



FEATURES

Material: Metal

Shower Head Swivel: Yes

Shower Head Spray: Full, Massage, Massage + Full

Shower Head Flow Rate: 1.8 gpm (6.8 L/min) @ 80 psi

Connection Type: 1/2" MIP and SWT

Cartridge Type: Ceramic Disc

ASME A112.18.1/CSA B125.1, ASSE 1016 Type P, CEC Listed, WaterSense by IAPMO, Massachusetts Accepted, LISTED ID: SH4001, SHPR8020G*



ADDITIONAL FEATURES

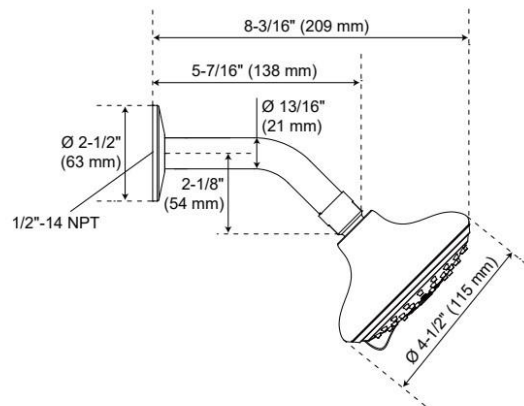
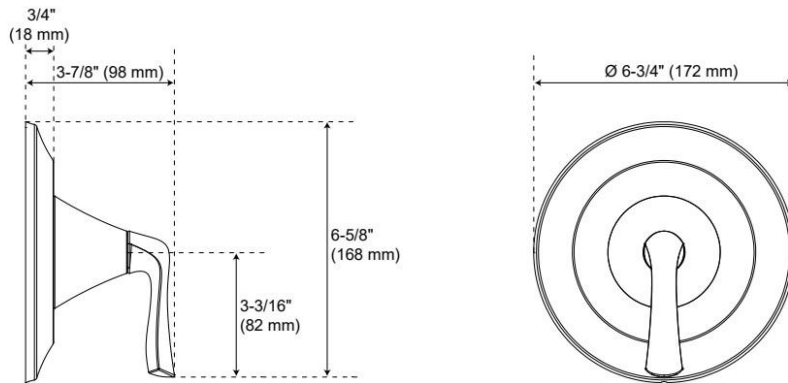
- Metal handle.
- 3 function showerhead (full spray, massage spray and full & massage spray)
- Optional Rough-in Valve:
 - Pressure balance valve with integral stops.
 - One-piece cartridge design for ease of maintenance.
 - Back-to-back capability.
 - Ceramic disc valve cartridge.
 - Cast bronze valve body.
 - Adjustable temperature limit stop.
 - Quick remove plaster guard.
 - Easy mounting brackets.

REVISED 11/5/2024

PROVINCETOWN PRESSURE BALANCE SHOWER SET

SKU: 948666

Code: SHPR8020G, SH4001



REVISED 11/5/2024

PRESSURE BALANCE TUB & SHOWER ROUGH-IN VALVE

SKU: 446520
Code: SH4001



FEATURES

Material: Bronze
Flow Rate: 6.34 gpm (24.0 L/min) @ 80 psi
Connection Type: 1/2" MIP and SWT
Cartridge Type: Ceramic Disc

IAPMO, ASME A112.18.1/CSA B125.1, ASSE 1016 Type P, Massachusetts Accepted, LISTED ID: SH4001



ADDITIONAL FEATURES

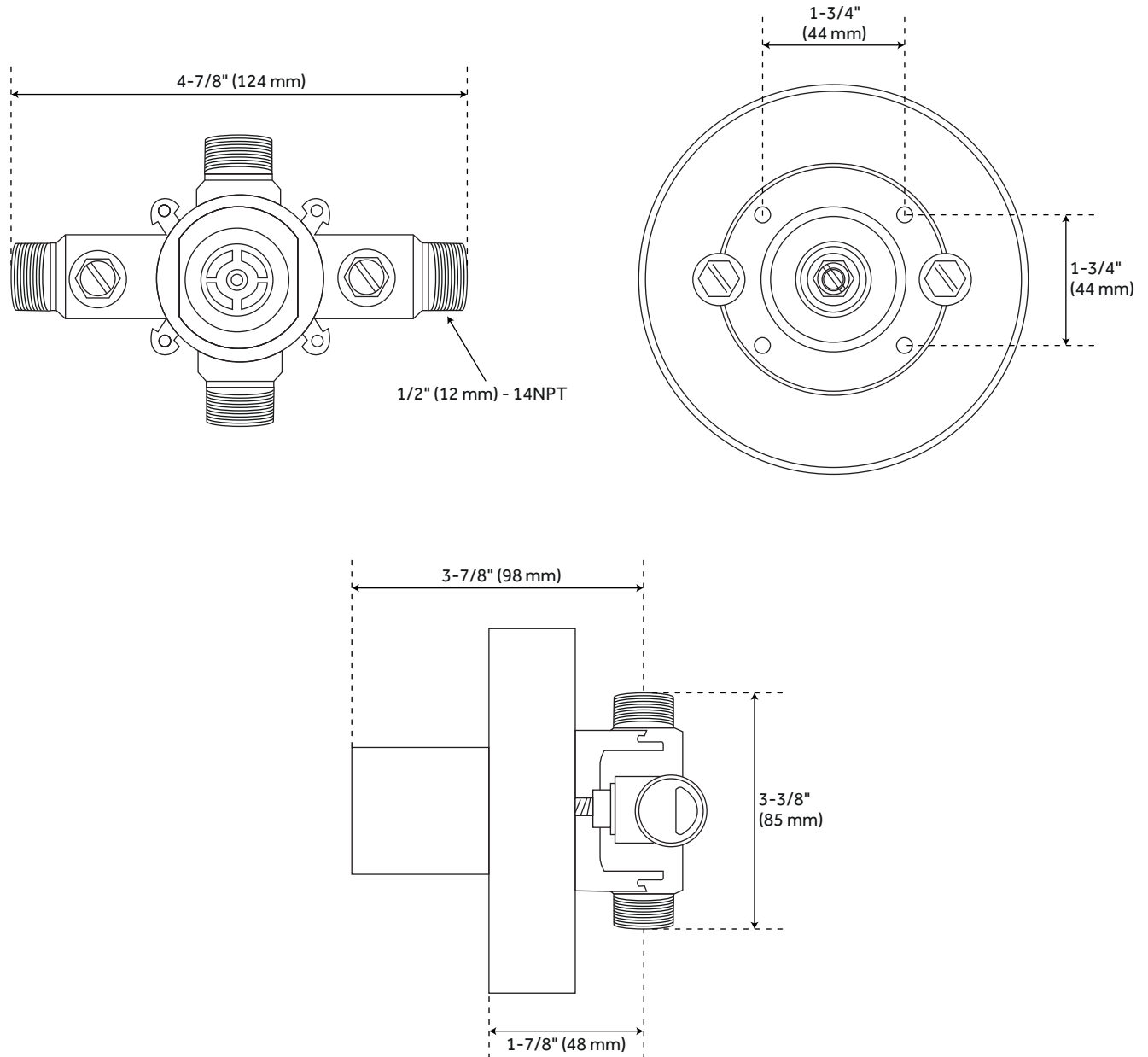
- Compatible with Beasley, Berwyn, Boca Raton, Drea, Edenton, Elita, Greyfield, Gunther, Hibiscus, Key West, Lentz, Lexia, Pendleton, Pinecrest, Provincetown, Rigi, Sefina, Vassor and Vilamonte Pressure Balance Trims.
- Pressure balance valve with integral stops.
- One-piece ceramic cartridge design for ease of maintenance.
- Back-to-back capability
- Cast bronze valve body.
- Adjustable temperature limit stop.
- Quick remove plaster guard and easy mounting brackets.

REVISED 8/14/2024

PRESSURE BALANCE TUB AND SHOWER ROUGH-IN VALVE

SKU: 446520

SH4001



All dimensions and specifications are nominal and may vary. Use actual products for accuracy in critical situations.

PROVINCETOWN IN-WALL SHOWER DIVERTER

SKU: 948542

Code: SHPR9005N, SH6103



FEATURES

Material: Metal

ASME A112.18.1/CSA B125.1, ASME A112.18.2/CSA B125.2, ICC/ANSI A117.1, Massachusetts Accepted, LISTED ID: SHPR9005N*, SH6103



ADDITIONAL FEATURES

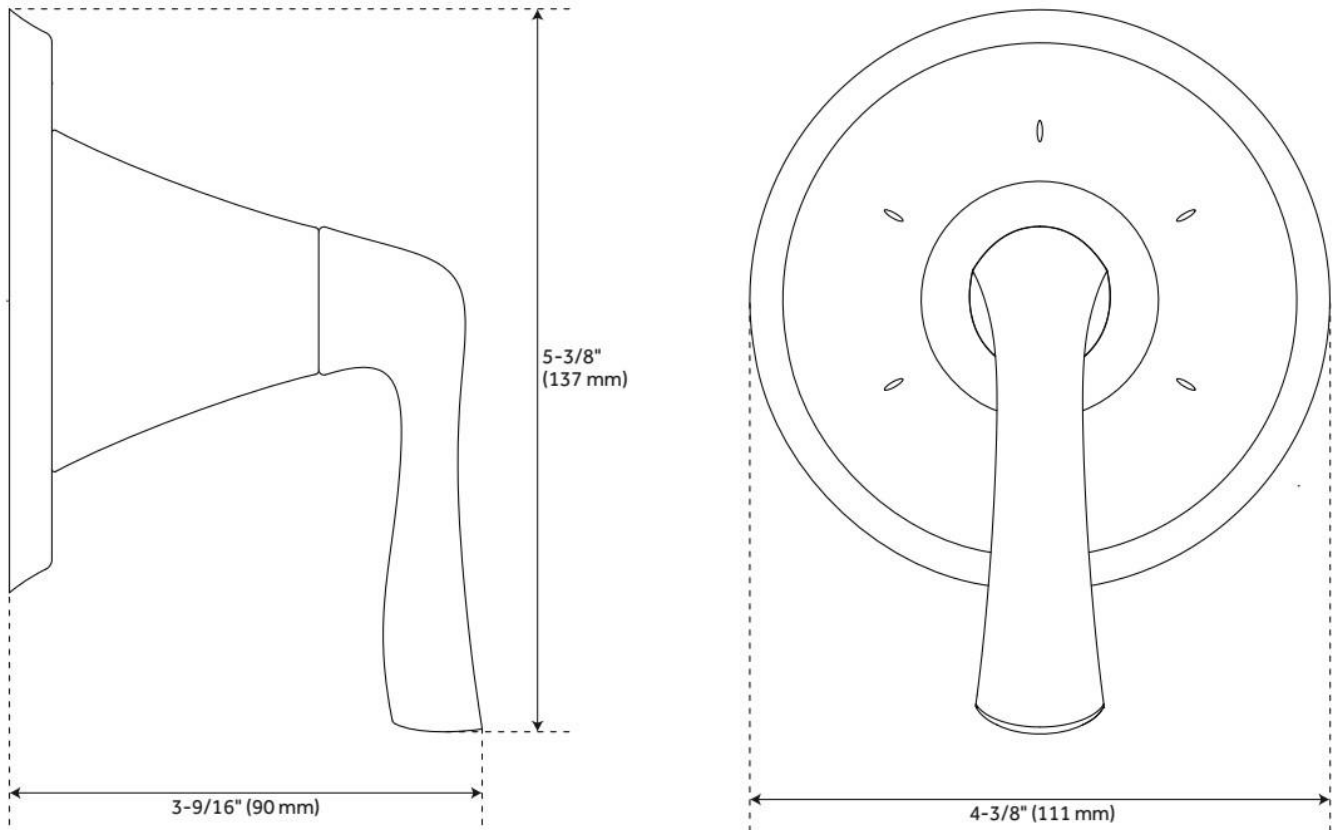
- Six total settings allow for shared water flow between outlets, giving you the ability to use two functions at once.
- Available Single-Function Diverter Valve Cartridge restricts water flow to one outlet at a time.
- Not intended as a shut off valve.

REVISED 10/2/2024

PROVINCETOWN IN-WALL SHOWER DIVERTER

SKU: 948542

Code: SHPR9005N, SH6103



REVISED 10/2/2024

4.6" ROUND MULTIFUNCTION 1.75 GPM HAND SHOWER

SKU: 955103-175

Code: SH441155

FEATURES

Material: ABS

Hand Shower Spray: Full, Massage, Pulse

Hand Shower Flow Rate: 1.75 gpm (6.6 L/min) @ 80 psi



ASME A112.18.1/CSA B125.1, CEC Listed, WaterSense by IAPMO, Massachusetts Accepted, LISTED ID: SH441155**



ADDITIONAL FEATURES

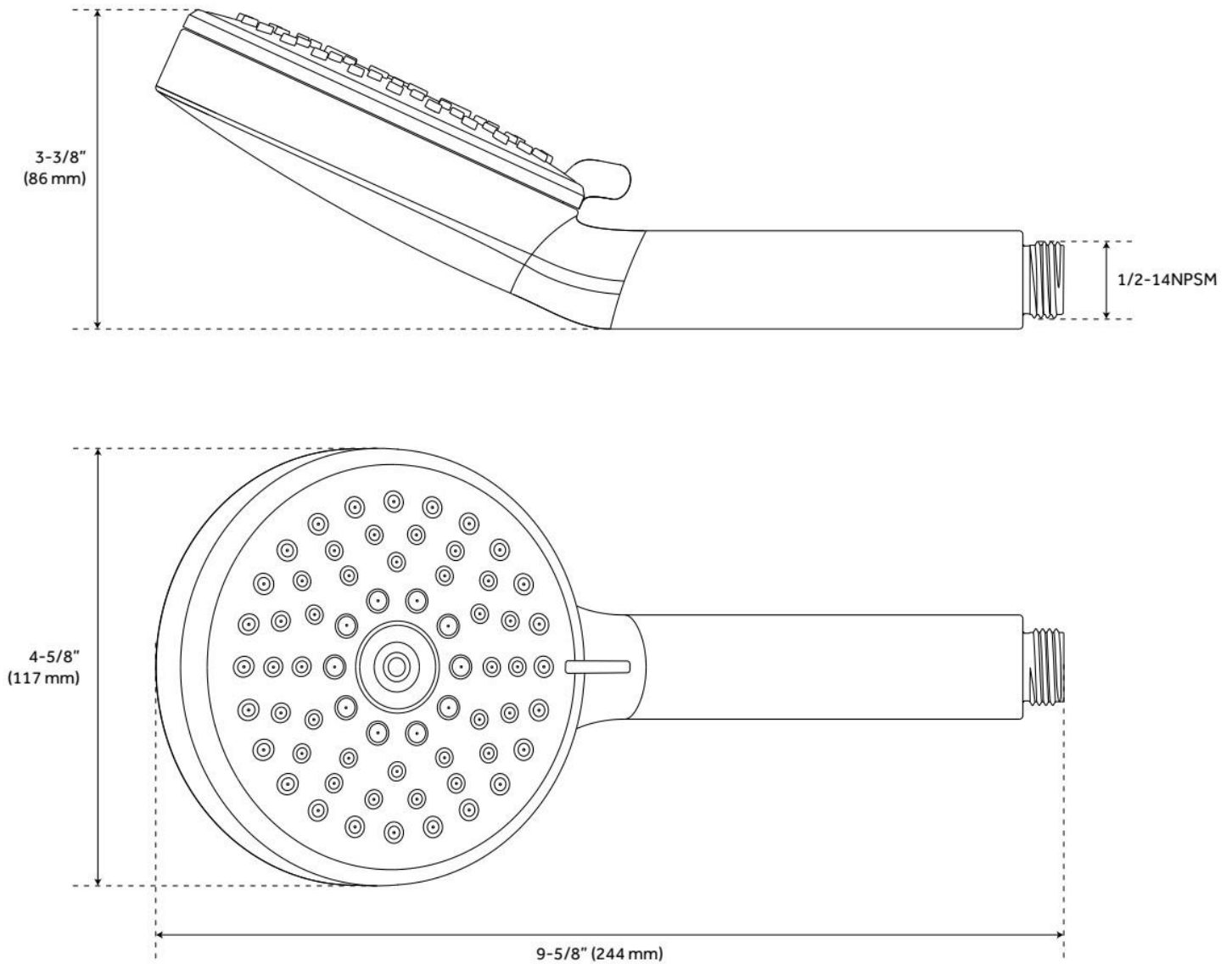
- Hand Shower Includes Backflow Prevention
- Easy clean rubber nozzles

REVISED 10/1/2024

4.6" ROUND MULTIFUNCTION 1.75 GPM HAND SHOWER

SKU: 955103-175

Code: SH441155



REVISED 10/1/2024

CONTEMPORARY ROUND WATER SUPPLY ELBOW FOR HAND SHOWER

SKU: 932365

Code: SHWE2040, SH417826, SH484207, SH485502

FEATURES

Material: Metal

Connection Type: 1/2" NPT



ASME A112.18.1/CSA B125.1, LISTED ID: SHWE2040*



ADDITIONAL FEATURES

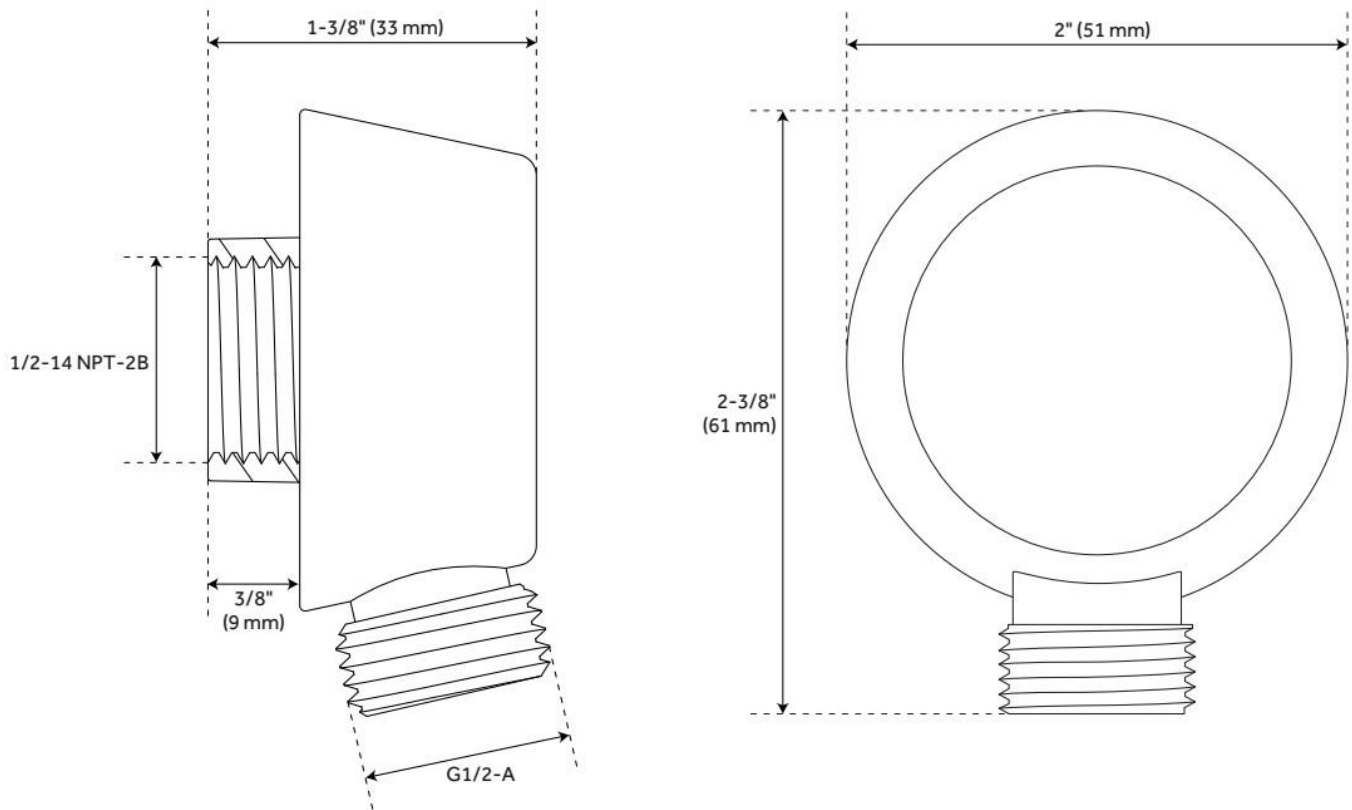
- 1/2" Female wall connection.
- 1/2" Male hose connection.

REVISED 6/5/2024

CONTEMPORARY ROUND WATER SUPPLY ELBOW FOR HAND SHOWER

SKU: 932365

Code: SHWE2040, SH417826, SH484207, SH485502



REVISED 6/5/2024

CONTEMPORARY SLIDE BAR FOR HAND SHOWER

SKU: 948919

Code: SHSB3040, SH484206, SH485501

FEATURES



LISTED ID: N/A

ADDITIONAL FEATURES

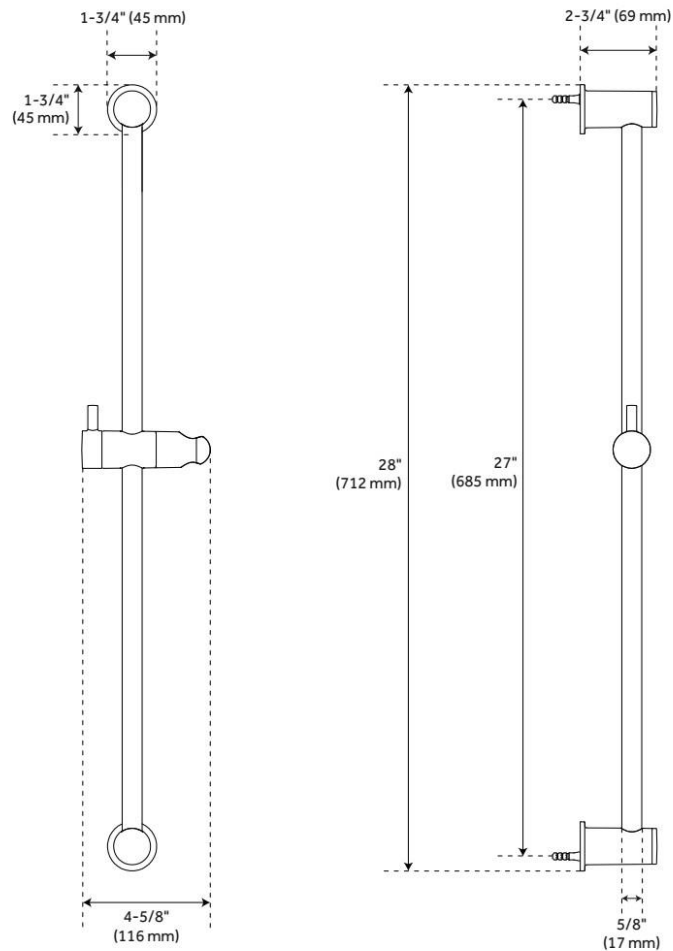
- Adjustable angle for hand shower mount.

REVISED 10/2/2024

CONTEMPORARY SLIDE BAR FOR HAND SHOWER

SKU: 948919

Code: SHSB3040, SH484206, SH485501



REVISED 10/2/2024

60" STRETCHABLE METAL HAND SHOWER HOSE

SKU: 948938

Code: SHH1010, SH484205, SH485500

FEATURES

Material: Metal

Connection Type: 1/2" IPS



ASME A112.18.1/CSA B125.1, Massachusetts Accepted, LISTED ID: SHH1010*



ADDITIONAL FEATURES

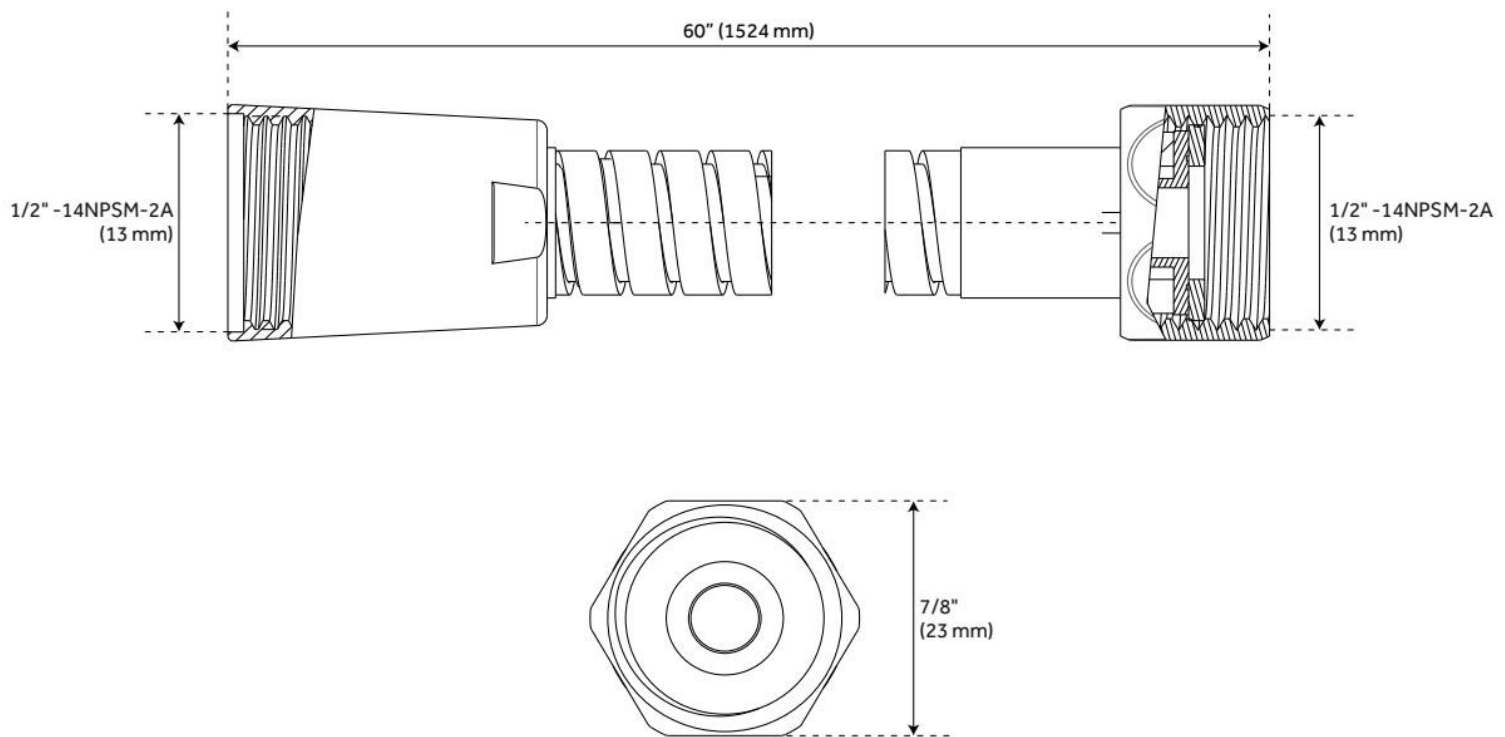
- 60" - 72" stretchable metal shower hose.
- Double spiral construction.
- Metal conical nut.

REVISED 10/2/2024

60" STRETCHABLE METAL HAND SHOWER HOSE

SKU: 948938

Code: SHH1010, SH484205, SH485500



REVISED 10/2/2024

3-WAY IN-WALL DIVERTER ROUGH-IN VALVE

SKU: 953056
Code: SH6103, SH6101

FEATURES

Material: Brass



ASME A112.18.1/CSA B125.1, ASME A112.18.2/CSA B125.2, Massachusetts Accepted, LISTED ID: SH6103, SH6101



ADDITIONAL FEATURES

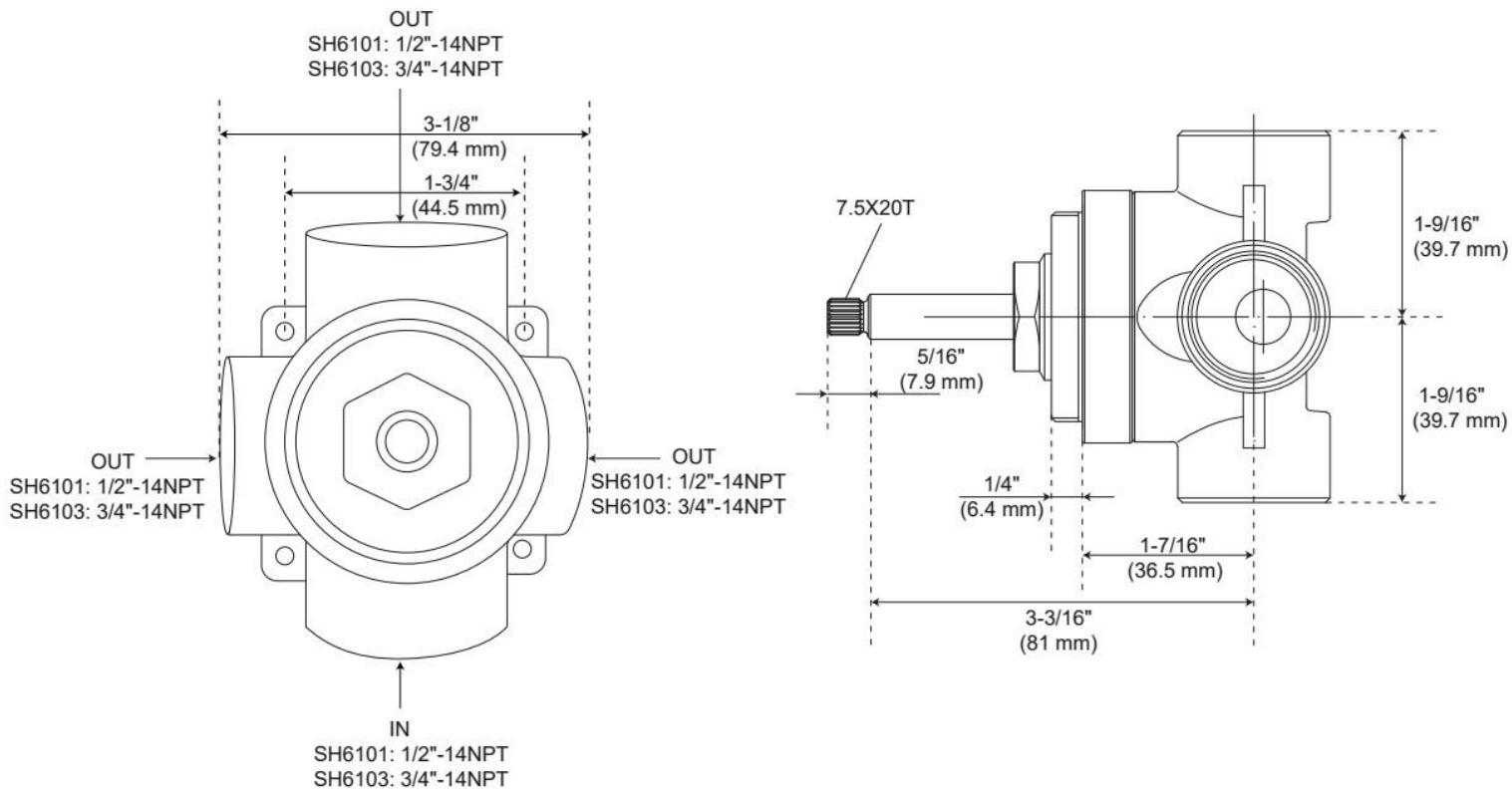
- Six total settings allow for shared water flow between outlets, giving you the ability to use two functions at once.
- Ceramic cartridge.
- Available Single-Function Diverter Valve Cartridge restricts water flow to one outlet at a time.
- Not intended as a shut off valve.
- For installations only requiring 2 outlets, the 3rd outlet may be looped into one of the existing pipes.
- Compatible with Beasley, Berwyn, Boca Raton, Drea, Edenton, Elita, Greyfield, Gunther, Hibiscus, Key West, Lentz, Lexia, Pendleton, Pinecrest, Provincetown, Rigi, Sefina, Vassor and Vilamonte Diverter Trims.

REVISED 10/2/2024

3-WAY IN-WALL DIVERTER ROUGH-IN VALVE

SKU: 953056

Code: SH6103, SH6101



REVISED 10/2/2024