

HIBISCUS PRESSURE BALANCE TUB AND SHOWER SYSTEM

SKU: 953890

Code: SHHB8010,SH4001,SHRSA120S,SHSH2080G,SHTS84, SHHB8010Z,SH4001Z,SHRSA120SZ,SHSH2080GZ,SHTS84Z,SHHB8010Z



FEATURES

Shower Head Swivel: Yes
Connection Type: 1/2" MIP and SWT
Cartridge Type: Ceramic Disc

ASME A112.18.1/CSA B125.1, ASSE 1016 Type P, CEC Listed, WaterSense by IAPMO, Massachusetts Accepted, LISTED ID: SHHB8010*, SH4001, SHTS84*, SHRSA120S**, SHSH2080G*



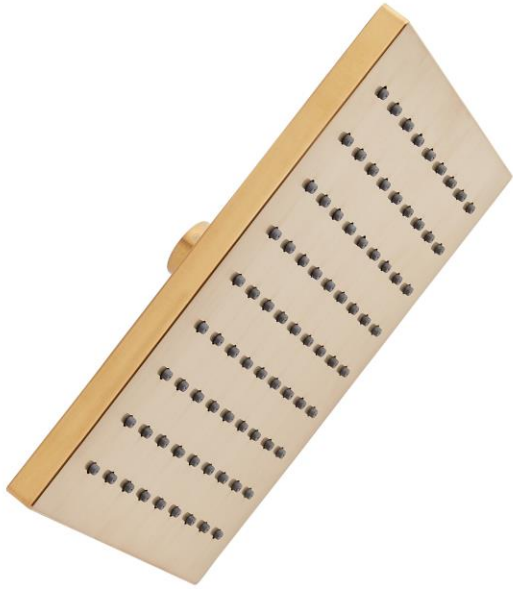
ADDITIONAL FEATURES

- Single function shower head.
- Tub spout diverter.
- Slip-fit tub spout.
- Included Rough-in valve: :
 - Pressure balance valve with integral stops.
 - One-piece cartridge design for ease of maintenance.
 - Back-to-back capability.
 - Ceramic disc valve cartridge.
 - Cast bronze valve body.
 - Adjustable temperature limit stop.
 - Quick remove plaster guard.
 - Easy mounting brackets.

REVISED 6/13/2024

RIGI SQUARE RAINFALL SHOWER HEAD

SKU: 948953
Code: SHSH2080G



FEATURES

Material: ABS
Shower Head Swivel: Yes
Flow Rate: 1.8 gpm (6.8 L/min) @ 80 psi

ASME A112.18.1/CSA B125.1, CEC Listed, WaterSense by IAPMO, Massachusetts Accepted, LISTED ID: SHSH2080G*



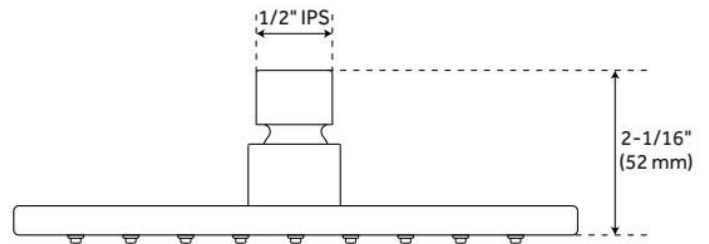
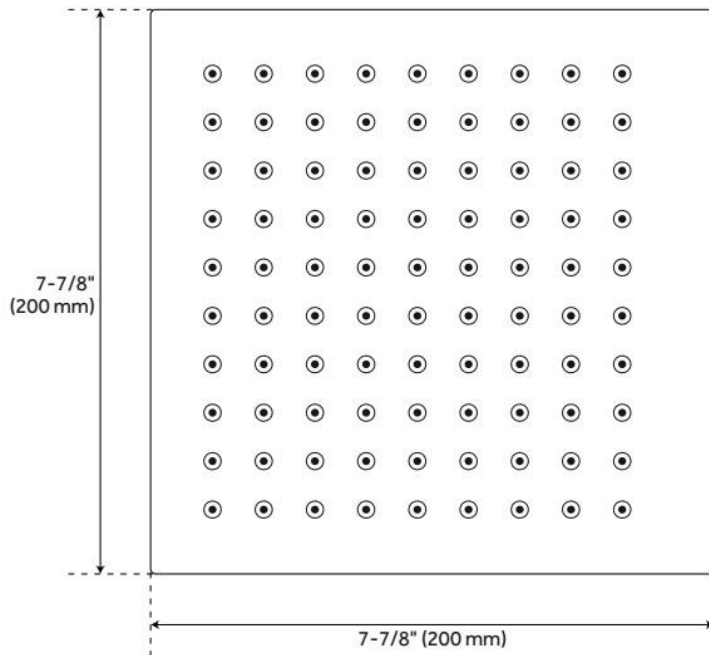
ADDITIONAL FEATURES

- Single function rainfall shower head.
- Brass ball joint & threaded connection.
- Easy clean rubber nozzles.
- Easy installation.

REVISED 6/13/2024

RIGI SQUARE RAINFALL SHOWER HEAD

SKU: 948953
Code: SHSH2080G



REVISED 6/13/2024

MODERN SQUARE WALL-MOUNT SHOWER ARM WITH FLANGE

SKU: 948956

Code: SHRSA180S, SHRSA120S

FEATURES

Material: Brass

Connection Type: 1/2" NPT



ASME A112.18.1/CSA B125.1, Massachusetts Accepted, LISTED ID: SHRSA180S**, SHRSA120S**



ADDITIONAL FEATURES

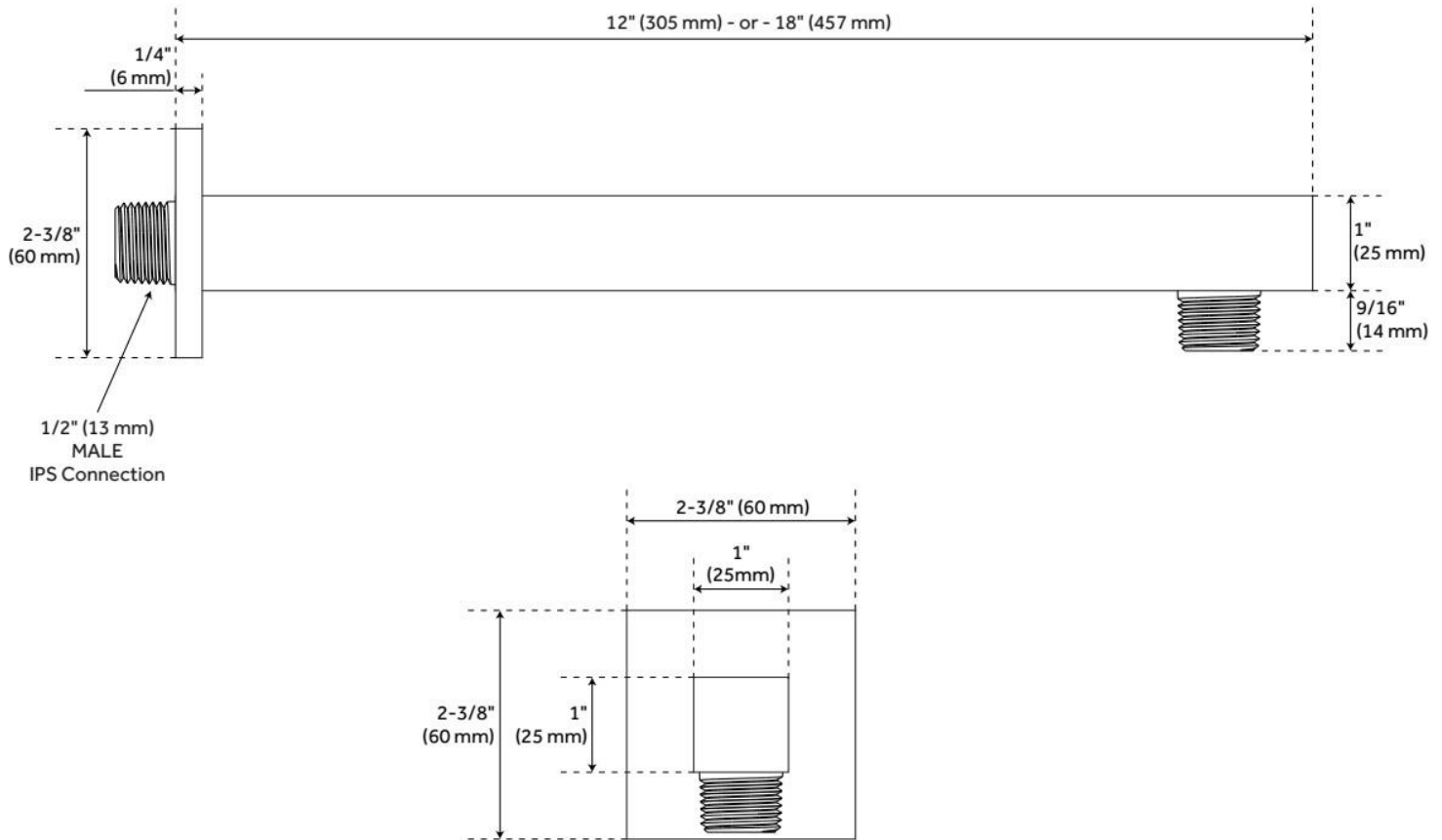
- Solid brass construction.
- Escutcheon included.

REVISED 6/13/2024

MODERN SQUARE WALL-MOUNT SHOWER ARM WITH FLANGE

SKU: 948956

Code: SHRSA180S, SHRSA120S



REVISED 6/13/2024

HIBISCUS PRESSURE BALANCE SHOWER VALVE

SKU: 948891

Code: SHHB8010, SH4001



FEATURES

Material: Brass

Required for Installation: Rough-in valve: SH4001

ASME A112.18.1/CSA B125.1, ASSE 1016 Type P, Massachusetts Accepted, LISTED ID: SHHB8010*, SH4001



ADDITIONAL FEATURES

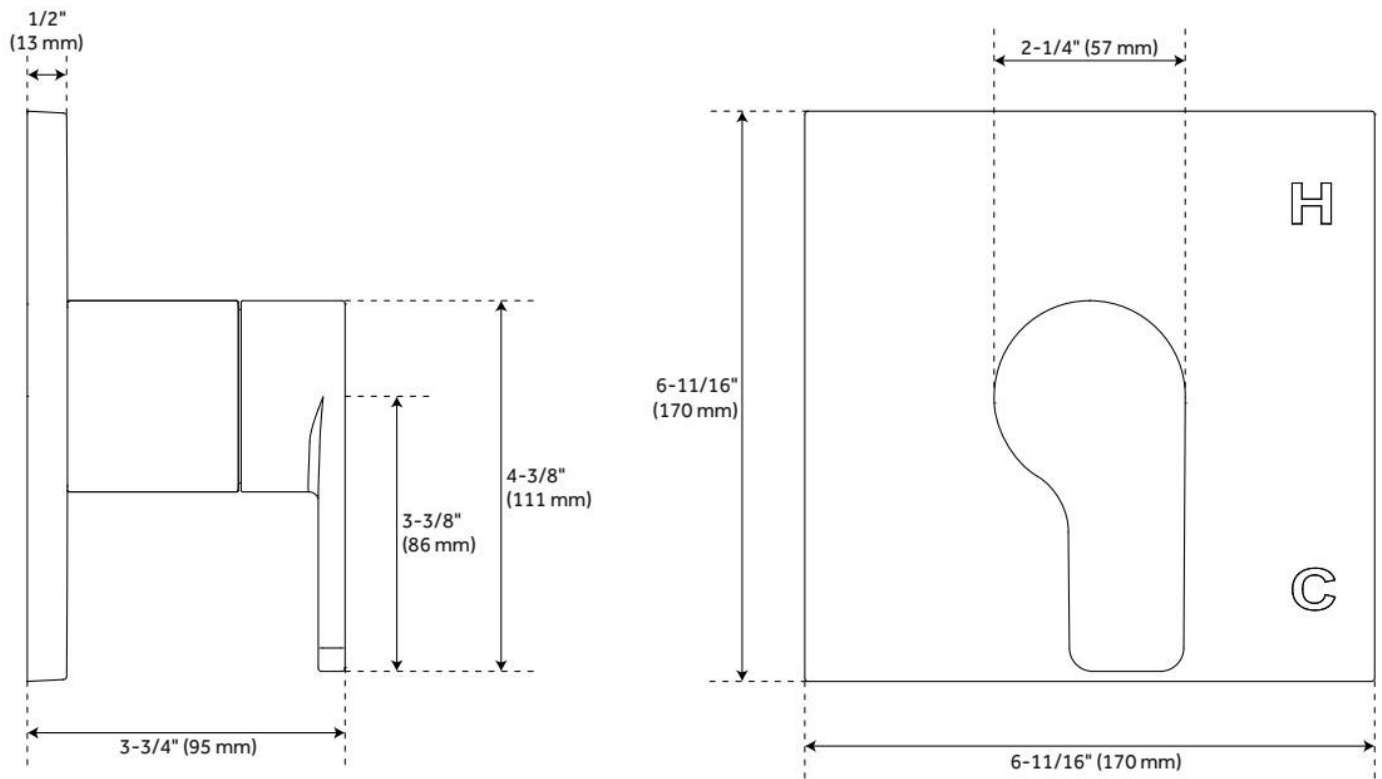
- Metal handle.
- Metal escutcheon.
- Optional Rough-in Valve:
 - Pressure balance valve with integral stops.
 - One-piece cartridge design for ease of maintenance.
 - Back-to-back capability.
 - Ceramic disc valve cartridge.
 - Cast bronze valve body.
 - Adjustable temperature limit stop.
 - Quick remove plaster guard.
 - Easy mounting brackets.

REVISED 6/12/2024

HIBISCUS PRESSURE BALANCE SHOWER VALVE

SKU: 948891

Code: SHHB8010, SH4001



REVISED 6/12/2024

HIBISCUS TUB SPOUT WITH DIVERTER

SKU: 948968
Code: SHTS84



FEATURES

Material: Metal
Connection Type: 1/2" CTS Slip-Fit
Faucet Centers: Single-Hole

ASME A112.18.1/CSA B125.1, CEC Listed, Massachusetts Accepted, LISTED ID: SHTS84*



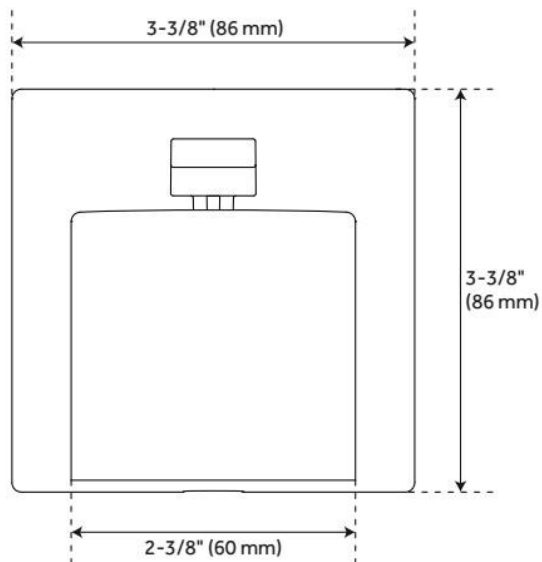
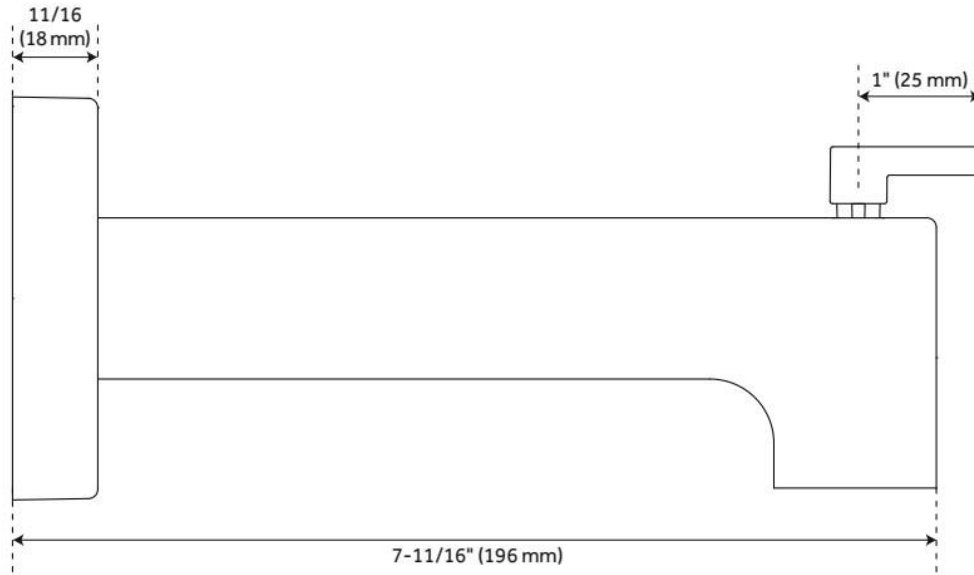
ADDITIONAL FEATURES

- 1/2" Slip-fit connection.

REVISED 6/13/2024

HIBISCUS TUB SPOUT WITH DIVERTER

SKU: 948968
Code: SHTS84



REVISED 6/13/2024

PRESSURE BALANCE TUB & SHOWER ROUGH-IN VALVE

SKU: 446520
Code: SH4001



FEATURES

Material: Brass
Flow Rate: 6.34 gpm (24.0 L/min) @ 80 psi
Connection Type: 1/2" MIP and SWT
Cartridge Type: Ceramic Disc

IAPMO, ASME A112.18.1/CSA B125.1, ASSE 1016 Type P, Massachusetts Accepted, LISTED ID: SH4001



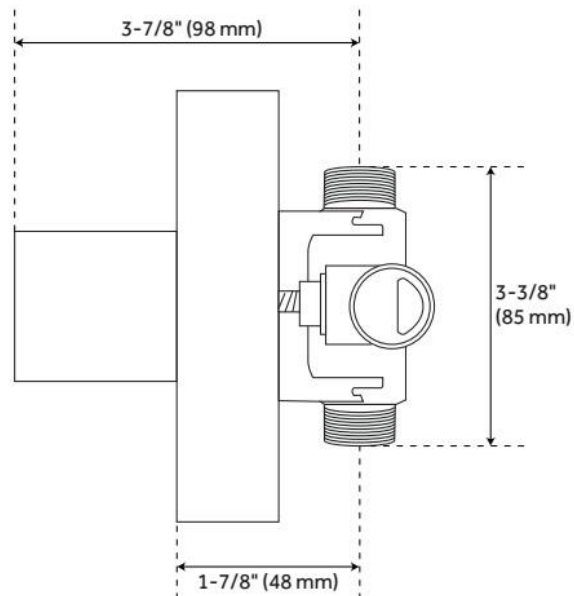
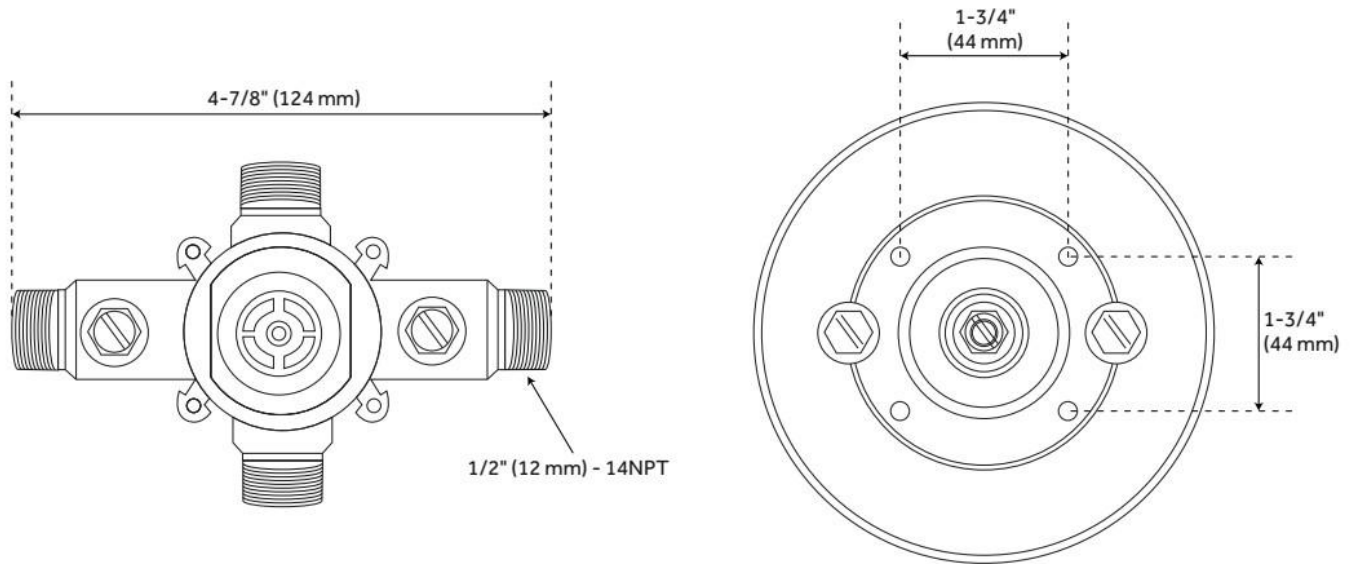
ADDITIONAL FEATURES

- Pressure balance valve with integral stops.
- One-piece ceramic cartridge design for ease of maintenance.
- Back-to-back capability
- Adjustable temperature limit stop.
- Quick remove plaster guard and easy mounting brackets.

REVISED 11/27/2024

PRESSURE BALANCE TUB & SHOWER ROUGH-IN VALVE

SKU: 446520
Code: SH4001



REVISED 11/27/2024