

HIBISCUS THERMOSTATIC SHOWER SYSTEM WITH DUAL SHOWERHEADS AND HAND SHOWER

SKU: 953895

Code: SHHB9009,SH6006,SHRSA120S,SHSH2080G,SHHS4080G,SHH1010,SHWES2050,SHHB9005,SH6103,SHHB9007,SH6040,SHHB9009Z,SH6006,SHRSA120SZ,SHSH2080GZ,SHHS4080GZ,SHH1010Z,SHWES2050,SHHB9005Z,SH6103,SHHB9007Z,SH6040



FEATURES

- Shower Head Swivel: Yes
- Hand Shower Spray: Full
- Hand Shower Flow Rate: 1.8 gpm (6.8 L/min) @ 80 psi
- Connection Type: 3/4" NPT
- Diverter Outlets: 3
- Cartridge Type: Thermostatic

ASME A112.18.1/CSA B125.1, ASME A112.18.2/CSA B125.2, CEC Listed, WaterSense by IAPMO, Massachusetts Accepted, LISTED ID: SHHB9005*, SH6103, SHH1010*, SHHS4080G*, SHRSA120S**, SHHB9007*, SHHB9009*, SH6006, SH6040, SHWES2050xy, SHSH2080G*



ADDITIONAL FEATURES

- Thermostatic technology keeps shower temperature within 1 degree Celsius.
- Temperature outlet factory calibrated to 104 degrees Fahrenheit and can be easily adjusted up or down to user's comfort level.
- Six total settings allow for shared water flow between outlets, giving you the ability to use two functions at once.
- Dual single function shower heads (full spray) with easy-clean silicone nozzles.
- Adjustable angle for hand shower mount.
- Must be installed in accordance with provided installation instructions.
- Recommended valve installation depth 1-5/8" to 2-3/8".
- Thermostatic rough-in valve features scald guard protection, high temperature limit stop, integral water stops and check valve.
- Volume control rough-in valve features a ceramic disc cartridge and brass valve body.
- Diverter valve features a ceramic disc cartridge and brass valve body.

REVISED 6/13/2024

HIBISCUS THERMOSTATIC SHOWER VALVE

SKU: 948558

Code: SHHB9009, SH6004, SH6006



FEATURES

Material: Brass

Cartridge Type: Thermostatic

Required for Installation: Rough-in valve: SH6006 or SH6004

ASME A112.18.1/CSA B125.1, Massachusetts Accepted, LISTED ID: SHHB9009*, SH6004, SH6006



ADDITIONAL FEATURES

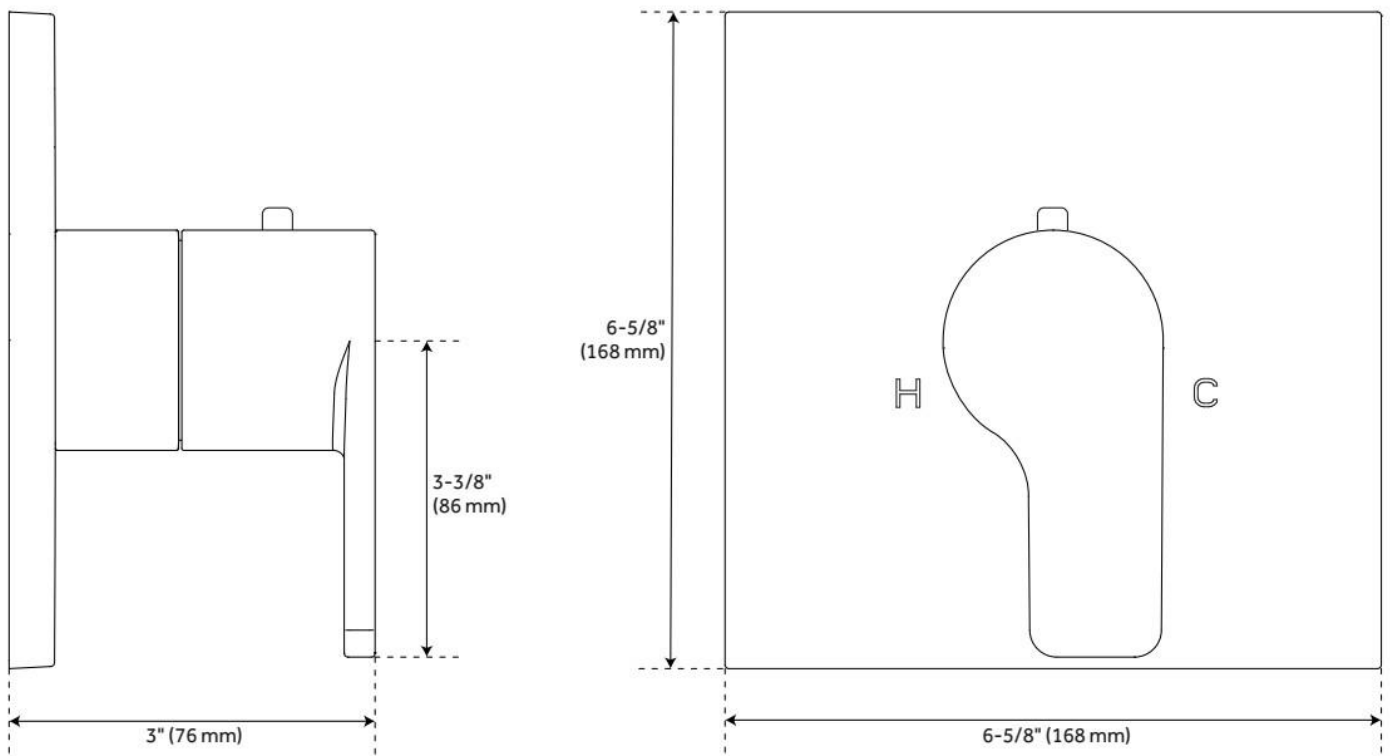
- Metal handle.
- Temperature outlet factory preset to 104 degrees Fahrenheit.
- Temperature can be easily adjusted up and down to user's comfort level.
- Scald guard protection.
- High temperature limit stop.
- Thermostatic technology keeps shower temperature within 1 degree Celsius.
- For proper installation, requires use of volume control valve and trim.
- Wall thickness range: 1" to 1-3/4"
- Optional Rough-in Valve:
 - Bronze valve body.
 - Ceramic cartridge.
 - Integral water stops and check valve.
 - Recommended valve installation depth 1-5/8" to 2-3/8"

REVISED 5/23/2024

HIBISCUS THERMOSTATIC SHOWER VALVE

SKU: 948558

Code: SHHB9009, SH6004, SH6006



REVISED 5/23/2024

HIBISCUS IN-WALL SHOWER DIVERTER

SKU: 948902

Code: SHHB9005, SH6103



FEATURES

Material: Brass

ASME A112.18.1/CSA B125.1, ASME A112.18.2/CSA B125.2, ICC/ANSI A117.1, Massachusetts Accepted, LISTED ID: SHHB9005*, SH6103



ADDITIONAL FEATURES

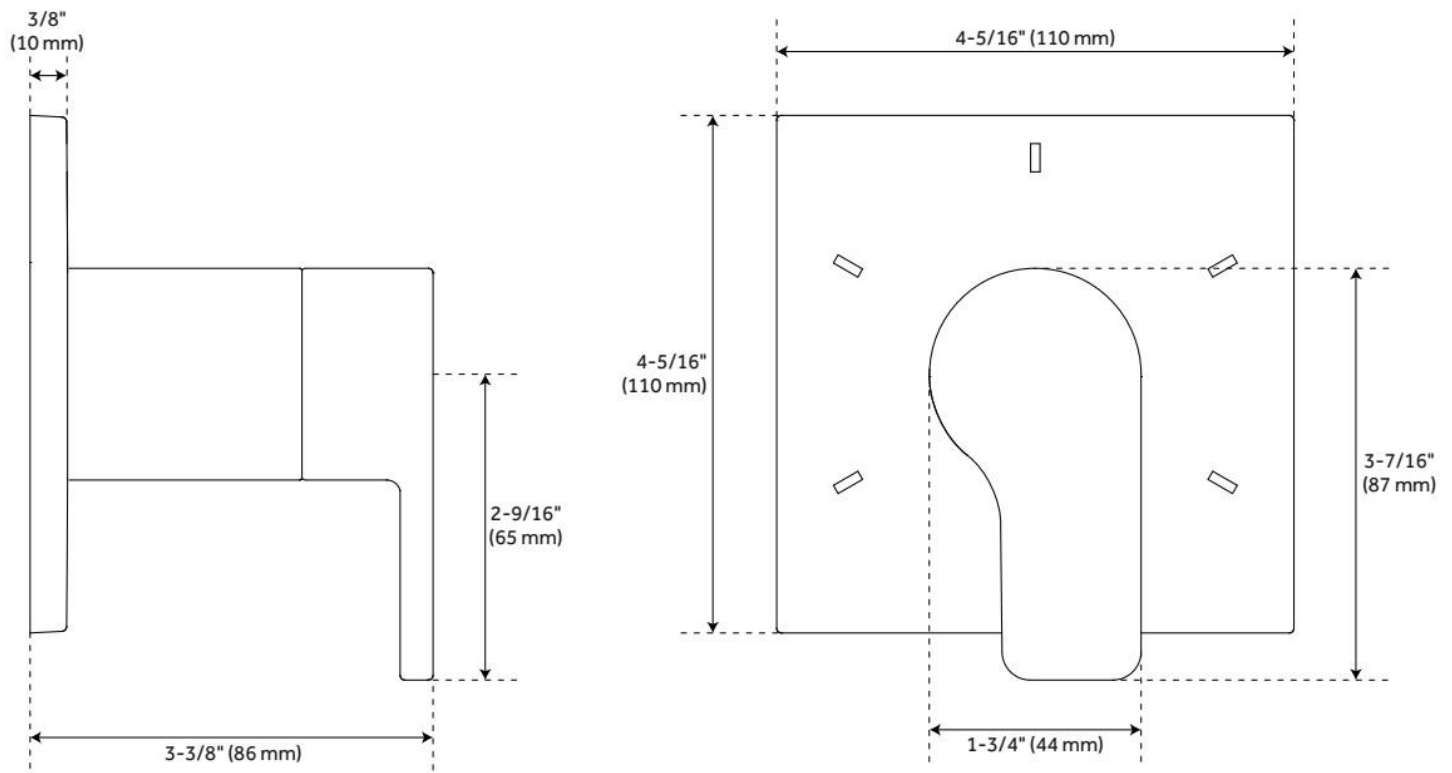
- Metal handle.
- Metal Escutcheon.
- Not intended as a shut off valve.
- Six total settings allow for shared water flow between outlets, giving you the ability to use two functions at once.
- Optional Rough-in Valve:
 - Available Single-Function Diverter Valve Cartridge restricts water flow to one outlet at a time.
 - Brass valve body.
 - Ceramic cartridge.
 - Must be installed in accordance with provided installation instructions.

REVISED 6/12/2024

HIBISCUS IN-WALL SHOWER DIVERTER

SKU: 948902

Code: SHHB9005, SH6103



REVISED 6/12/2024

HIBISCUS IN-WALL SHOWER VOLUME CONTROL HANDLE

SKU: 948557

Code: SHHB9007, SH6020, SH6040



FEATURES

Material: Brass

Required for Installation: Rough-in valve: SH6020 or SH6040

ASME A112.18.1/CSA B125.1, ICC/ANSI A117.1, Massachusetts Accepted, LISTED ID: SHHB9007*, SH6020, SH6040



ADDITIONAL FEATURES

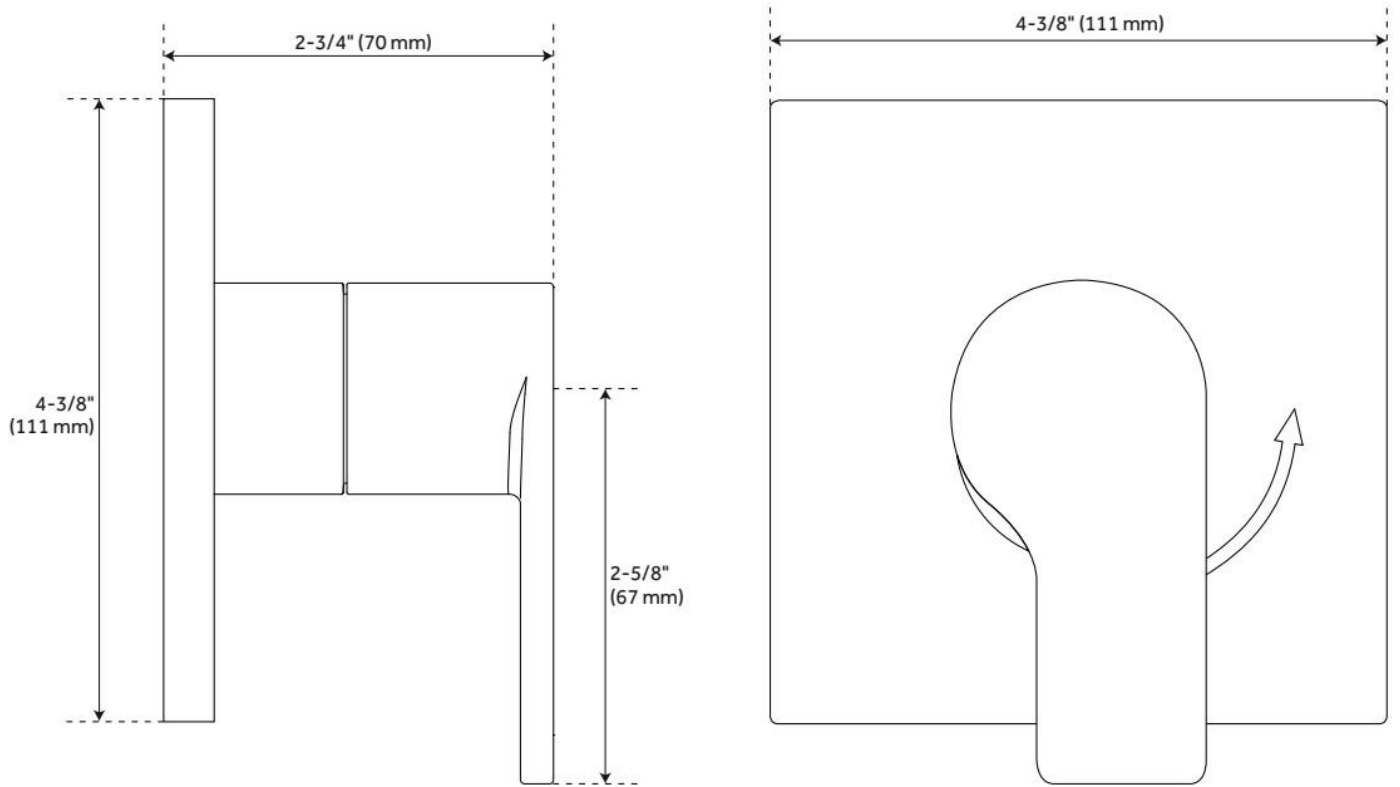
- Metal handle.
- Wall thickness range: 1" to 1-3/4"
- For proper installation, requires use of a thermostatic valve and trim.
- Optional Rough-in Valve:
 - Brass valve body.
 - Ceramic cartridge.
 - Recommended valve installation depth 1-5/8" to 2-3/8"

REVISED 6/12/2024

HIBISCUS IN-WALL SHOWER VOLUME CONTROL HANDLE

SKU: 948557

Code: SHHB9007, SH6020, SH6040



REVISED 6/12/2024

HIBISCUS HAND SHOWER

SKU: 948930
Code: SHHS4080G

FEATURES

Material: ABS
Hand Shower Spray: Full
Hand Shower Flow Rate: 1.8 gpm (6.8 L/min) @ 80 psi



ASME A112.18.1/CSA B125.1, CEC Listed, WaterSense by IAPMO, Massachusetts Accepted, LISTED ID: SHHS4080G*



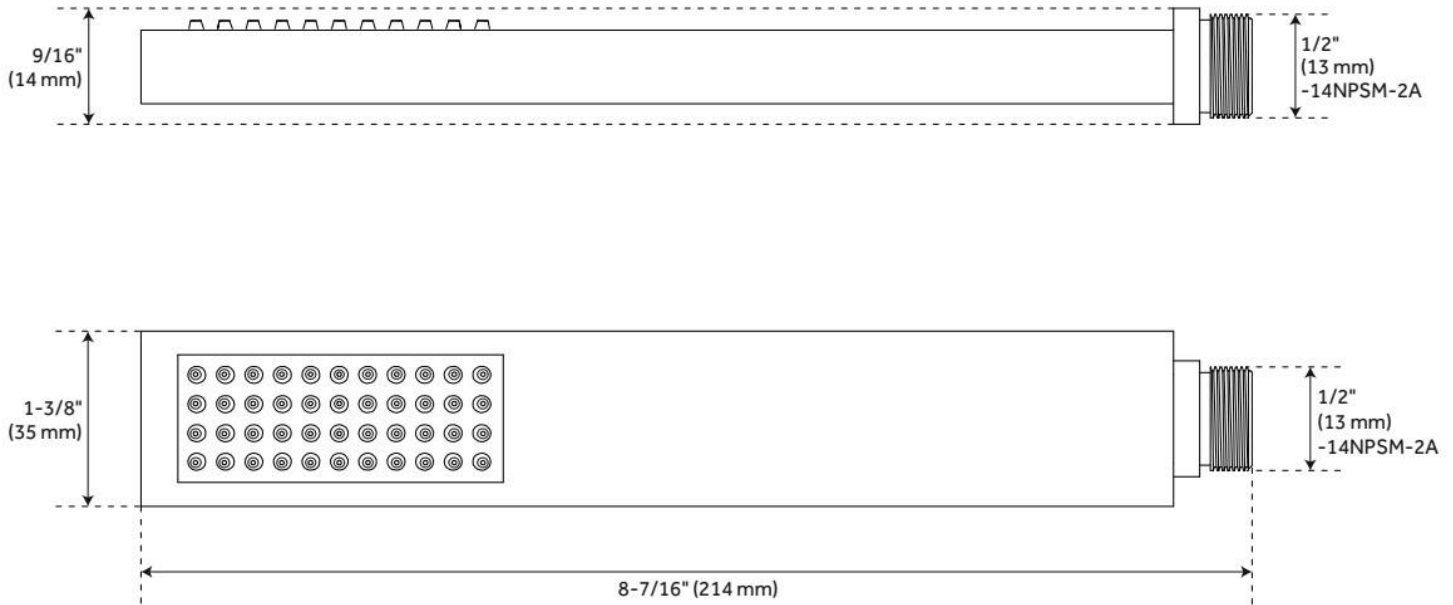
ADDITIONAL FEATURES

- Single function hand shower (full spray).
- Easy-clean spray nozzles.
- Factory installed backflow prevention check valve.
- Hose sold separately.

REVISED 6/12/2024

HIBISCUS HAND SHOWER

SKU: 948930
Code: SHHS4080G



REVISED 6/12/2024

60" STRETCHABLE METAL HAND SHOWER HOSE

SKU: 948938

Code: SHH1010, SH484205, SH485500, SHH1010PB

FEATURES

Connection Type: 1/2" IPS



ASME A112.18.1/CSA B125.1, Massachusetts Accepted, LISTED ID: SHH1010*



ADDITIONAL FEATURES

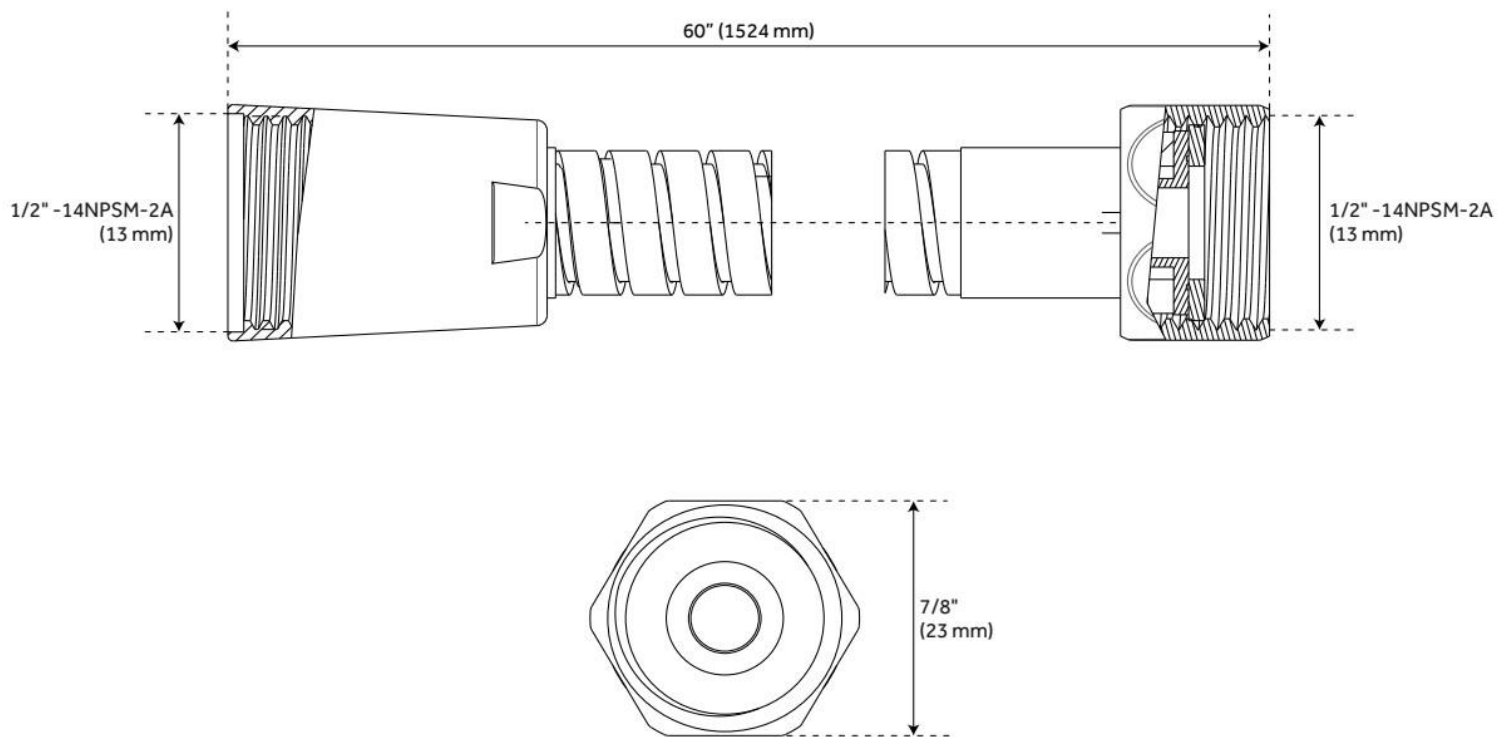
- 60" - 72" stretchable metal shower hose.
- Double spiral construction.
- Metal conical nut.

REVISED 5/24/2024

60" STRETCHABLE METAL HAND SHOWER HOSE

SKU: 948938

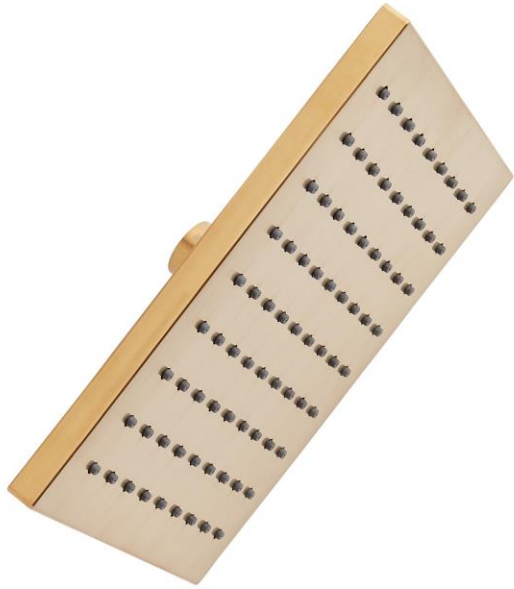
Code: SHH1010, SH484205, SH485500, SHH1010PB



REVISED 5/24/2024

RIGI SQUARE RAINFALL SHOWER HEAD

SKU: 948953
Code: SHSH2080G



FEATURES

Material: ABS
Shower Head Swivel: Yes
Flow Rate: 1.8 gpm (6.8 L/min) @ 80 psi

ASME A112.18.1/CSA B125.1, CEC Listed, WaterSense by IAPMO, Massachusetts Accepted, LISTED ID: SHSH2080G*



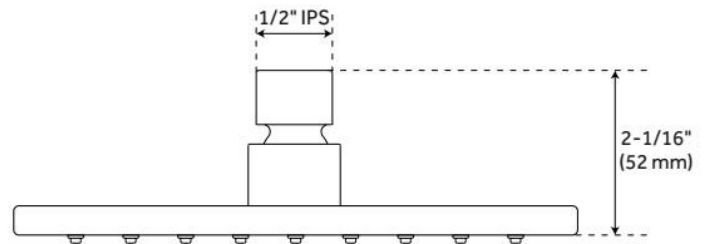
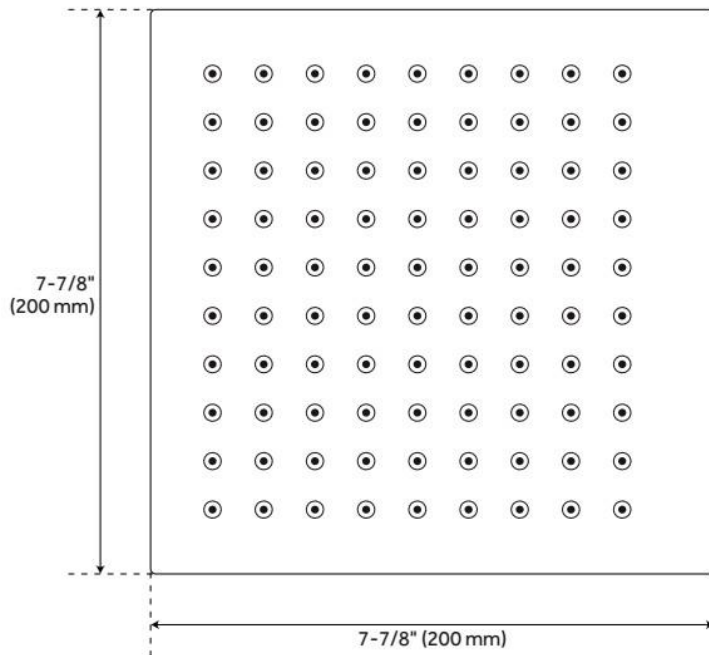
ADDITIONAL FEATURES

- Single function rainfall shower head.
- Brass ball joint & threaded connection.
- Easy clean rubber nozzles.
- Easy installation.

REVISED 5/24/2024

RIGI SQUARE RAINFALL SHOWER HEAD

SKU: 948953
Code: SHSH2080G



REVISED 5/24/2024

MODERN SQUARE WALL-MOUNT SHOWER ARM WITH FLANGE

SKU: 948956

Code: SHRSA180S, SHRSA120S

FEATURES

Material: Brass

Connection Type: 1/2" NPT



ASME A112.18.1/CSA B125.1, Massachusetts Accepted, LISTED ID: SHRSA180S**, SHRSA120S**



ADDITIONAL FEATURES

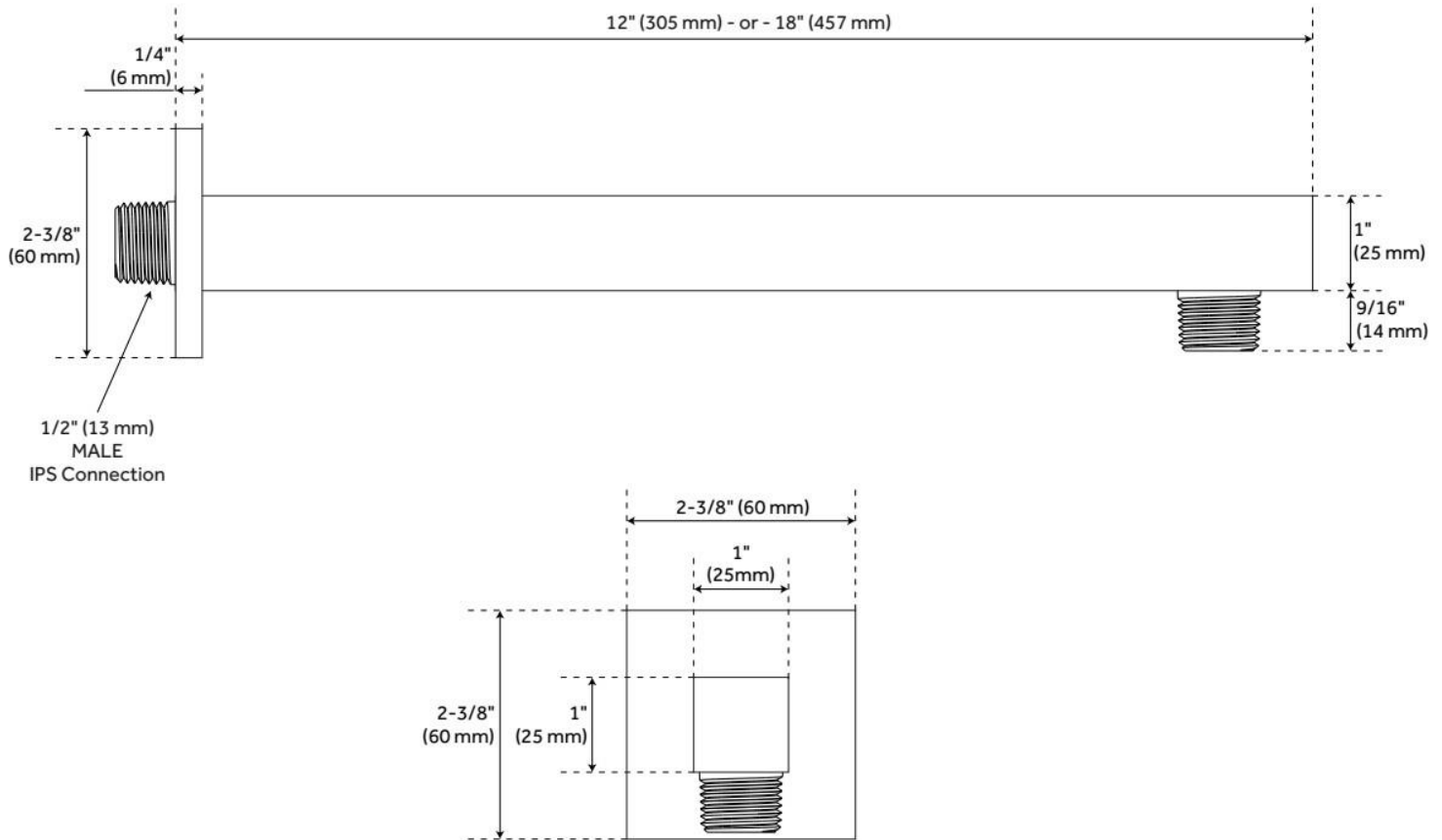
- Solid brass construction.
- Escutcheon included.

REVISED 5/24/2024

MODERN SQUARE WALL-MOUNT SHOWER ARM WITH FLANGE

SKU: 948956

Code: SHRSA180S, SHRSA120S



REVISED 5/24/2024

SWIVEL WATER SUPPLY ELBOW AND BRACKET FOR HAND SHOWER

SKU: 948936

Code: SHWES2050, SH485446, SH485535

FEATURES

Material: Metal, ABS

Connection Type: 1/2" NPT



ASME A112.18.1/CSA B125.1, LISTED ID: SHWES2050xy



ADDITIONAL FEATURES

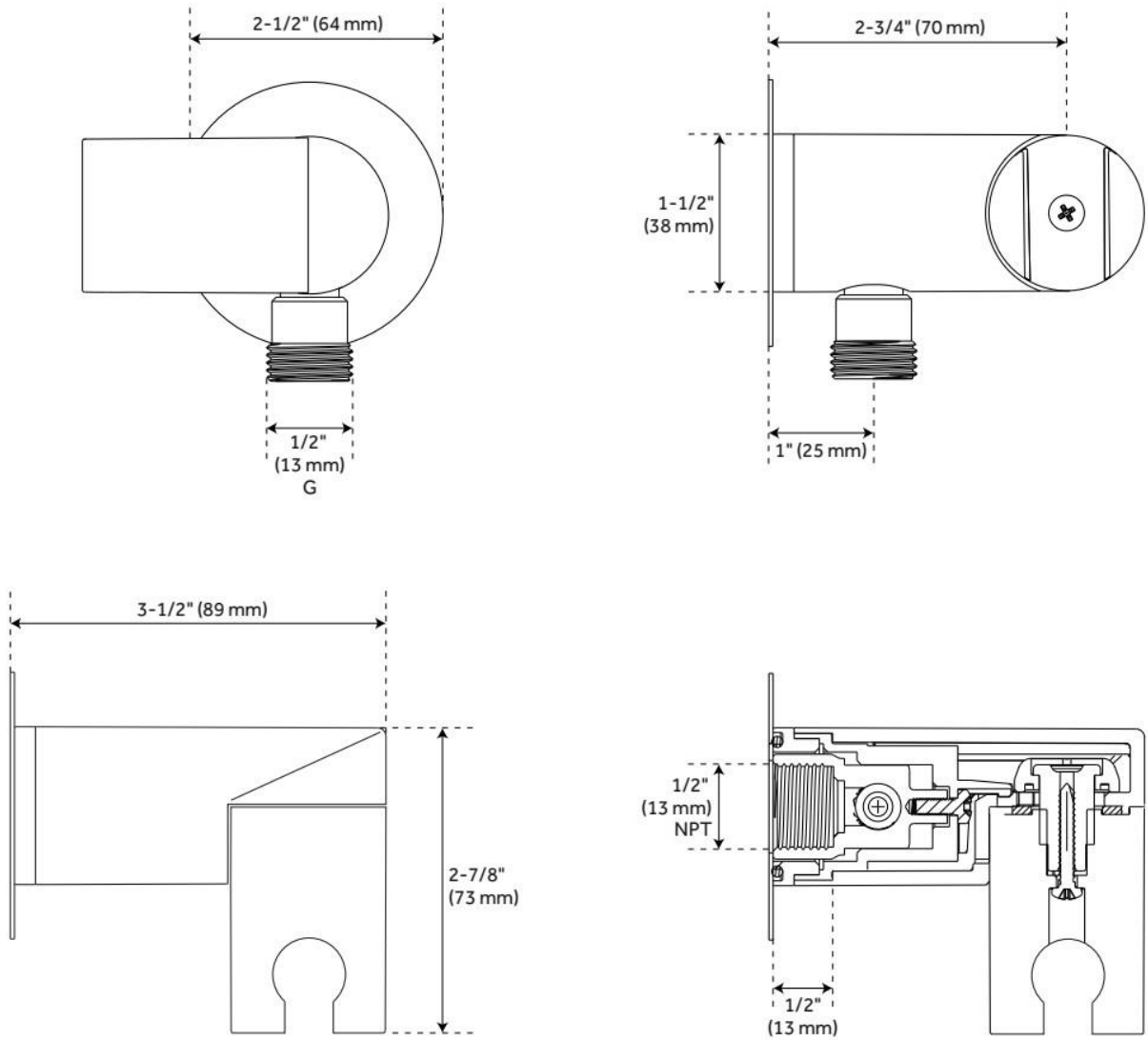
- 1/2" Female wall connection.
- 1/2" Male hose connection.
- Brass inlet/outlet, ABS body.

REVISED 5/24/2024

SWIVEL WATER SUPPLY ELBOW AND BRACKET FOR HAND SHOWER

SKU: 948936

Code: SHWES2050, SH485446, SH485535



REVISED 5/24/2024

3-WAY IN-WALL DIVERTER ROUGH-IN VALVE - 3/4"

SKU: 446519
Code: SH6103

FEATURES

Material: Brass
Cartridge Type: Ceramic Disc



IAPMO, ASME A112.18.1/CSA B125.1, ASME A112.18.2/CSA B125.2, Massachusetts Accepted, LISTED ID: SH6103



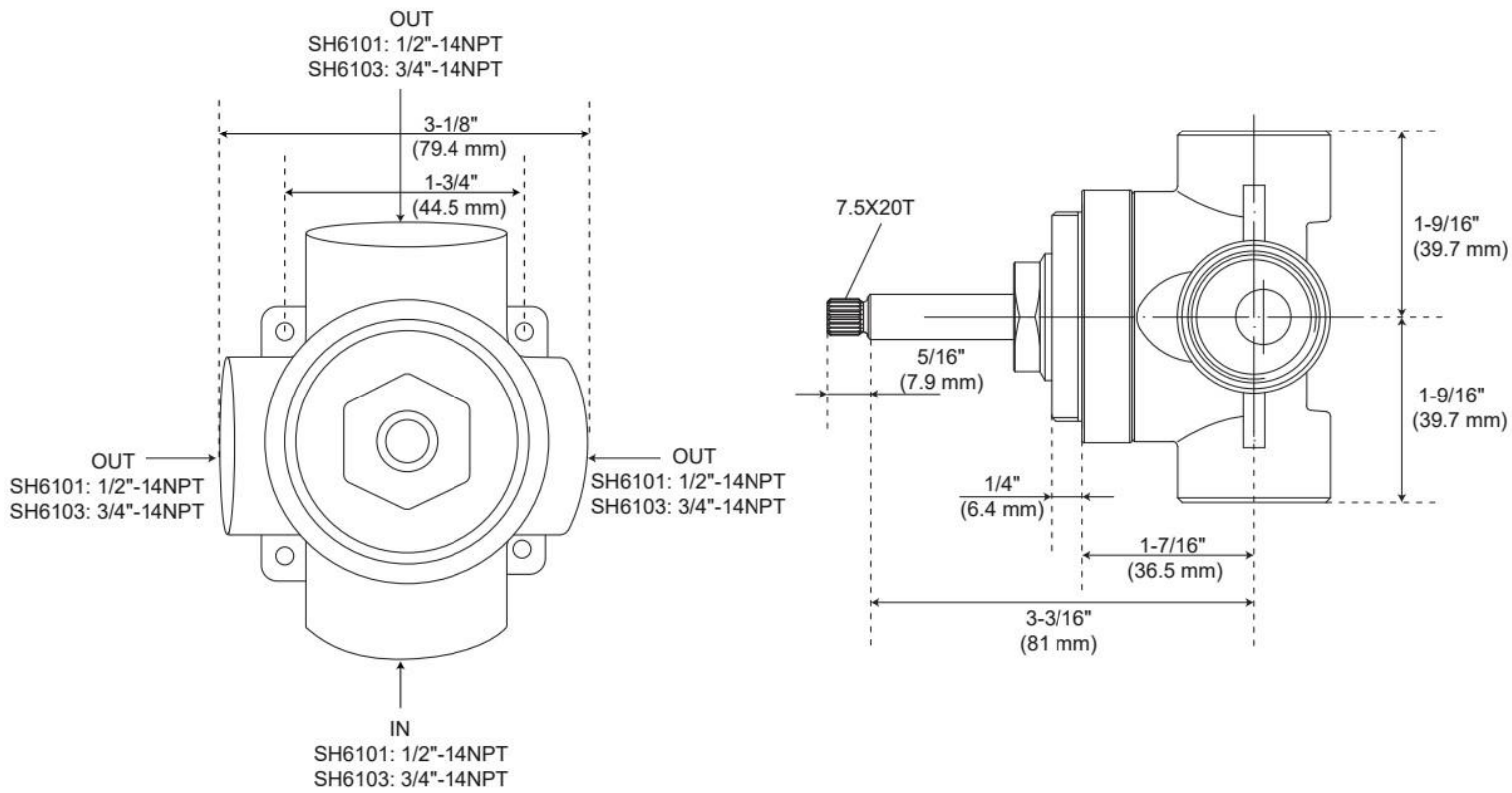
ADDITIONAL FEATURES

- Six total settings allow for shared water flow between outlets, giving you the ability to use two functions at once.
- Ceramic cartridge.
- Available Single-Function Diverter Valve Cartridge restricts water flow to one outlet at a time.
- Not intended as a shut off valve.
- For installations only requiring 2 outlets, the 3rd outlet may be looped into one of the existing pipes.
- Compatible with Beasley, Berwyn, Boca Raton, Drea, Edenton, Elita, Greyfield, Gunther, Hibiscus, Key West, Lentz, Lexia, Pendleton, Pinecrest, Provincetown, Rigi, Sefina, Vassor and Vilamonte Diverter Trims.

REVISED 10/14/2024

3-WAY IN-WALL DIVERTER ROUGH-IN VALVE - 3/4"

SKU: 446519
Code: SH6103



REVISED 10/14/2024

VOLUME CONTROL ROUGH-IN VALVE

SKU: 948546

Code: SH6020, SH6040

FEATURES



ASME A112.18.1/CSA B125.1, Massachusetts Accepted, LISTED ID: SH6020, SH6040



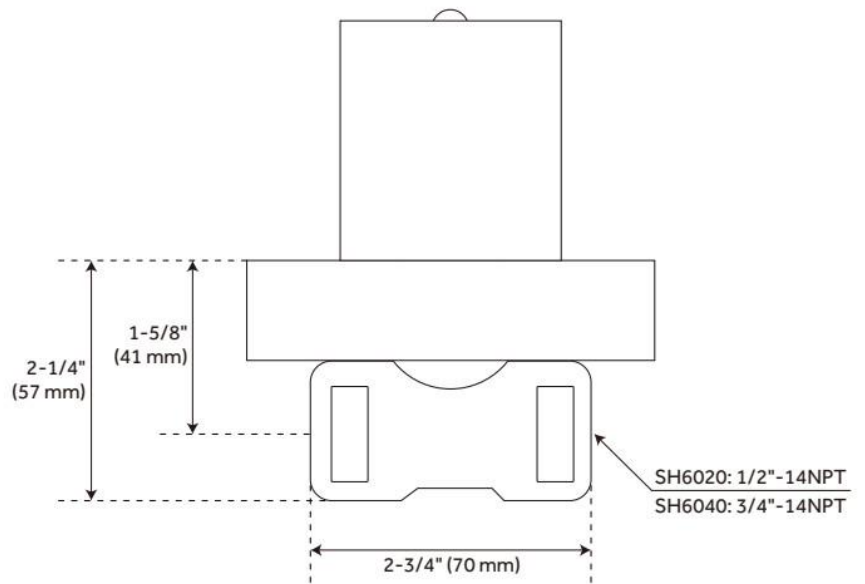
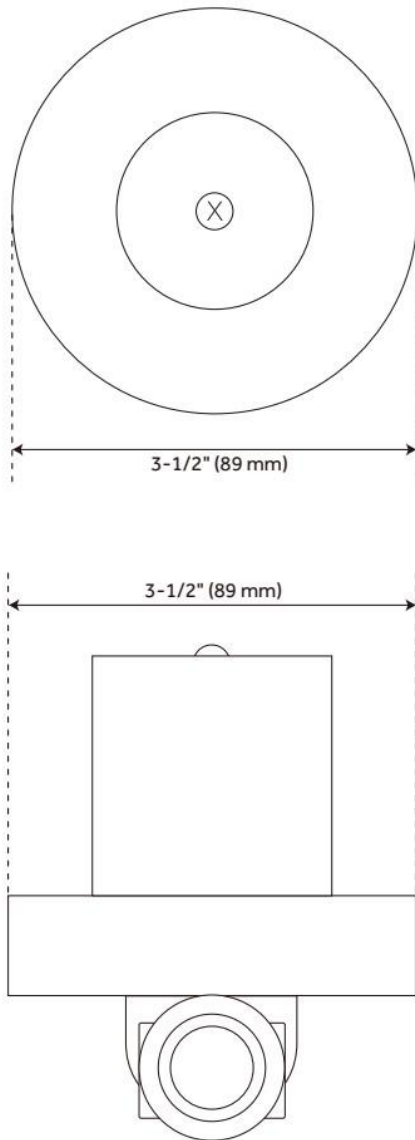
ADDITIONAL FEATURES

- Intended for use with a thermostatic valve and trim.
- Bronze valve body.
- Ceramic cartridge.
- Compatible with Beasley, Berwyn, Boca Raton, Drea, Edenton, Elita, Greyfield, Gunther, Hibiscus, Key West, Lentz, Lexia, Pendleton, Pinecrest, Provincetown, Rigi, Sefina, Vassor and Vilamonte Volume Control Trims.

REVISED 5/31/2024

VOLUME CONTROL ROUGH-IN VALVE

SKU: 948546
Code: SH6020, SH6040



REVISED 5/31/2024

THERMOSTATIC ROUGH-IN SHOWER VALVE

SKU: 948545
Code: SH6004, SH6006

FEATURES

Cartridge Type: Thermostatic



ASME A112.18.1/CSA B125.1, Massachusetts Accepted, LISTED ID: SH6004, SH6006



ADDITIONAL FEATURES

- Compatible with Beasley, Edenton, Greyfield, Hibiscus and Pinecrest, Provincetown and Vilamonte Thermostatic Valve Trim.
- For proper installation, requires use of volume control valve and trim.
- Bronze valve body.
- Factory-calibrated comfort setting at 104 degrees Fahrenheit.
- Water inlet stops and check valve.
- Thermostatic technology keeps shower temperature ± 1 degree Celsius.

REVISED 5/23/2024