

HIBISCUS SIMPLE SELECT SHOWER SYSTEM WITH SLIDE BAR AND HAND SHOWER

SKU: 953899

Code: SHHB8040,SH5001SSG,SHRSA120S,SHSH2080G,SHHS4080G,SHH1010,SHWE2020,SHSB3050,SHHB8040Z,SH5001SSG,SHRSA120SZ,SHSH2080GZ,SHHS4080GZ,SHH1010Z,SHWE2020Z,SHSB3050



ASME A112.18.1/CSA B125.1

ASSE 1016 Type P

ICC/ANSI A117.1

CEC Listed

Massachusetts Accepted

LISTED ID: SHHB8040*, SH5001SSG, SHRSA120S*, SHSH2080G*, SHHS4080G*, SHH1010*, SHWE2020*



FEATURES

Mounting Hardware Included: Yes

Assembly Required: No

Handle Type: Lever

NPT Connection: 1/2"

Shower Head Installation Type: Wall-Mount

Number of Shower Heads: 1

Shower Head Material: 304-Grade Stainless Steel

Shower Head Spray: Rainfall

Shower Head Length: 11-3/4"

Shower Head Width: 11-3/4"

Shower Arm Included: Yes

Shower Arm Extension: 12"

Shower Arm Height: 2-3/8"

Shower Head IPS: 1/2"

Shower Head Swivel: Yes

Valve Trim Width: 7-1/8"

Valve Trim Height: 7-1/8"

Slide Bar Length: 30"

Hand Shower Length: 8-7/16"

Hand Shower Hose Length: 60"

Hand Shower Material: Brass

Hand Shower Flow Rate: 1.8 gpm (6.8 L/min) @ 80 psi

Diverter Included: Yes

Shower Head Flow Rate: 1.8 gpm (6.8 L/min) @ 80 psi

REVISED 7/7/2023

HIBISCUS SIMPLE SELECT SHOWER SYSTEM WITH SLIDE BAR AND HAND SHOWER

SKU: 953899

Code: SHHB8040,SH5001SSG,SHRSA120S,SHSH2080G,SHHS4080G,SHH1010,SHWE2020,SHSB3050,SHHB8040Z,SH5001SSG,SHRSA120SZ,SHSH2080GZ,SHHS4080GZ,SHH1010Z,SHWE2020Z,SHSB3050



ADDITIONAL FEATURES

- Shower system includes wall mount shower head and arm, wall mount slide bar with hand shower and hose, hand shower water connection, and a pressure balanced valve with 2-way diverter.
- Valve with diverter features 1/2" IPS inlets and controls water flow between 2 shower outlets.
- Slide bar overall height: 25".
- For water outlet configuration options consult a professional for installation.

REVISED 7/7/2023

HIBISCUS SIMPLE SELECT SHOWER SYSTEM WITH HAND SHOWER

SKU: 953900

Code: SHHB8040,SH5001SSG,SHRSA120S,SHSH2080G,SHHS4080G,SHH1010,SHWES2050,
SHHB8040Z,SH5001SSG,SHRSA120SZ,SHSH2080GZ,SHHS4080GZ,SHH1010Z,SHWES2050



ADDITIONAL FEATURES

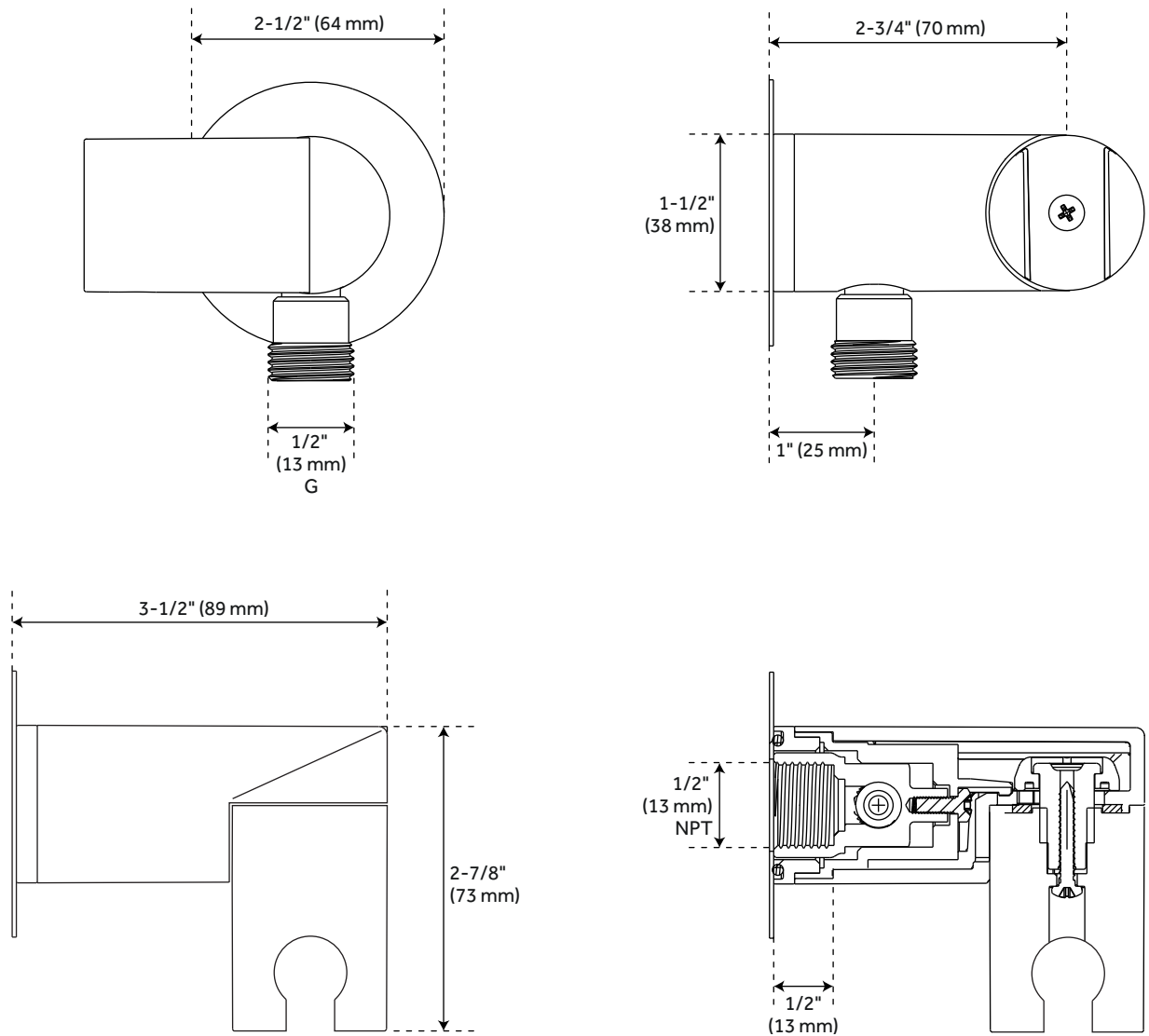
- Shower system includes wall mount rainfall shower head, wall mount hand shower, hand shower water connection and a 2-way in-wall diverter.
- 2-way diverter features 1/2" IPS inlets, and controls water flow between 2 shower outlets.
- Diverter includes the valve, metal lever handle and push button knob.
- Hand shower is made of ABS.

REVISED 7/7/2023

SWIVEL WATER SUPPLY ELBOW AND BRACKET FOR HAND SHOWER

SKU: 948936

SHWES2050

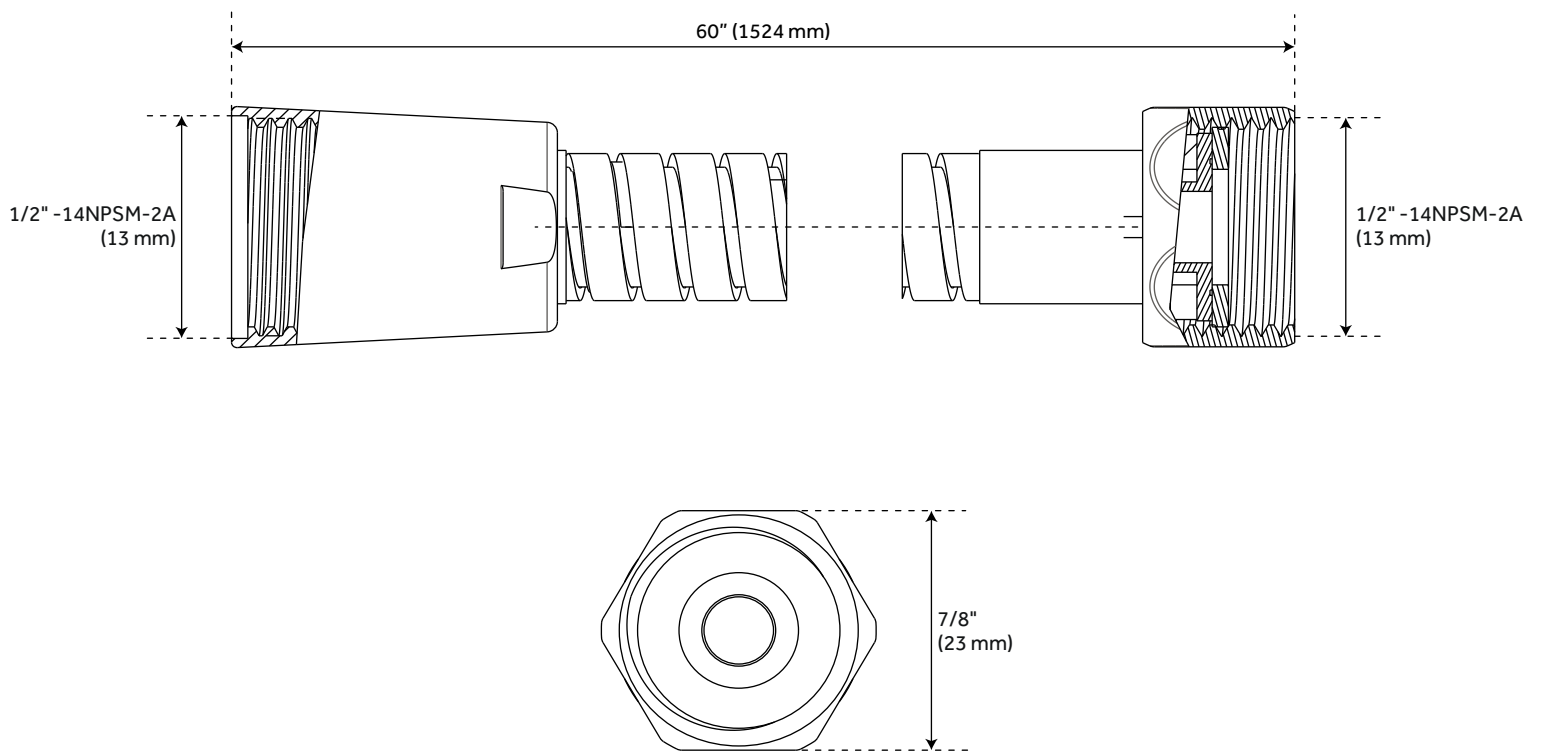


All dimensions and specifications are nominal and may vary. Use actual products for accuracy in critical situations.

60" STRETCHABLE METAL HAND SHOWER HOSE

SKU: 948938

SHH1010

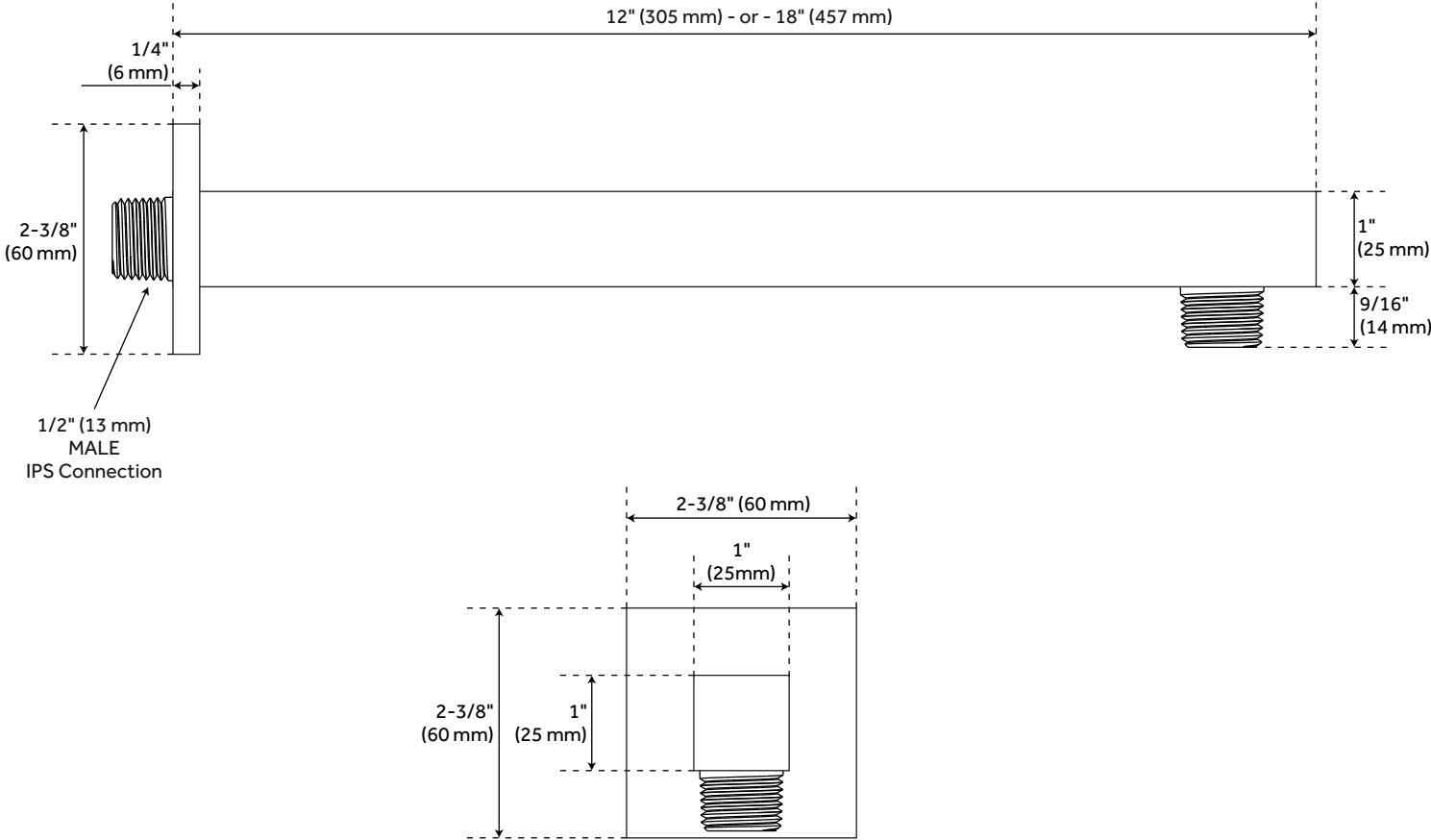


All dimensions and specifications are nominal and may vary. Use actual products for accuracy in critical situations.

MODERN SQUARE WALL-MOUNT SHOWER ARM WITH FLANGE

SKU: 948956

SHRSA120S, SHRSA120SZ, SHRSA180S, SHRSA180Z

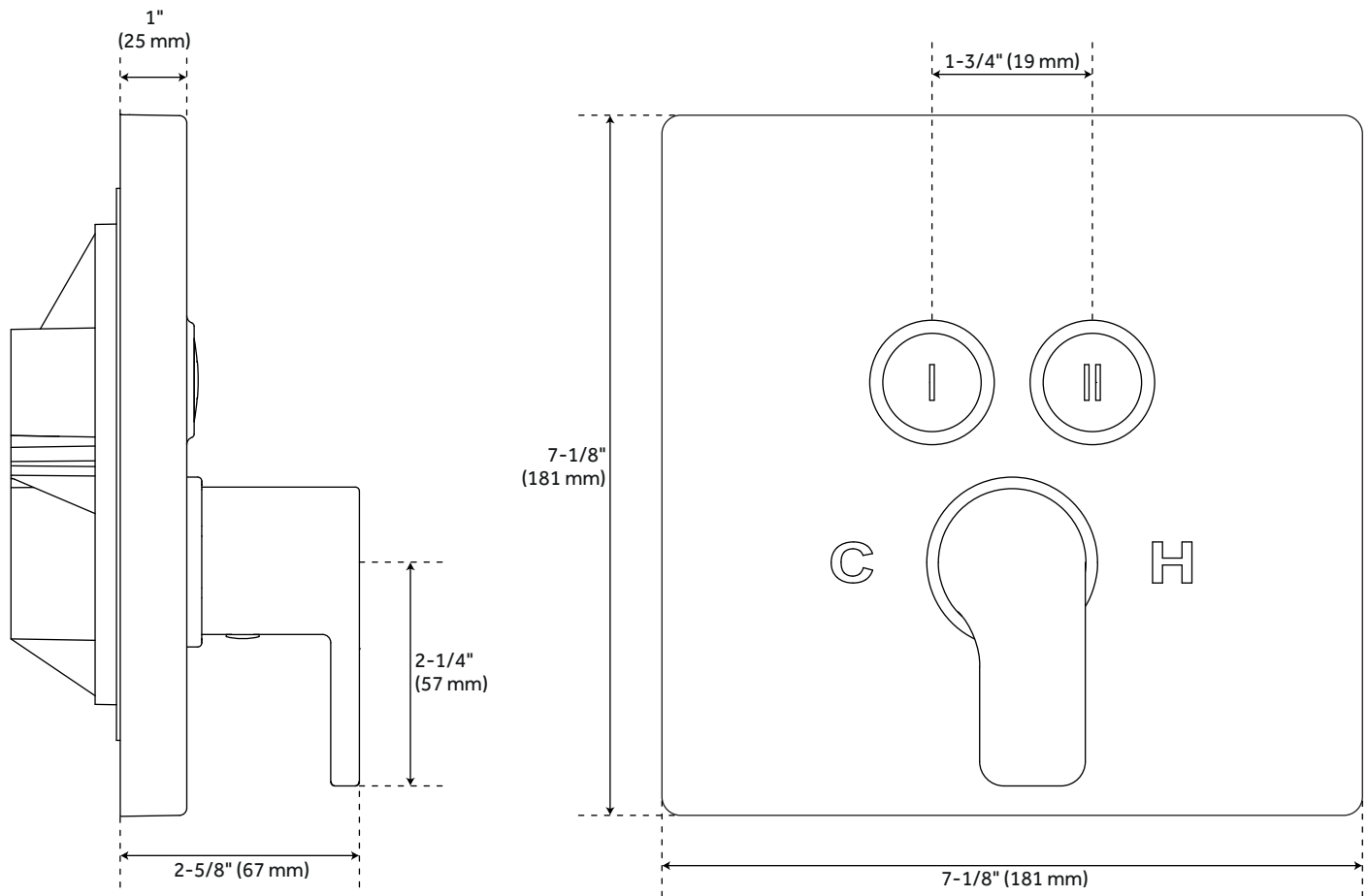


All dimensions and specifications are nominal and may vary. Use actual products for accuracy in critical situations.

HIBISCUS SIMPLE SELECT 2-WAY PRESSURE BALANCE SHOWER VALVE

SKU: 948974

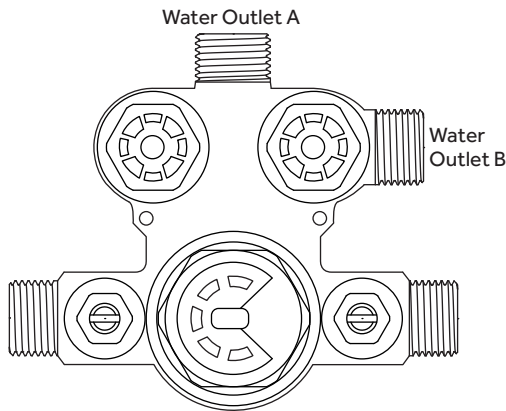
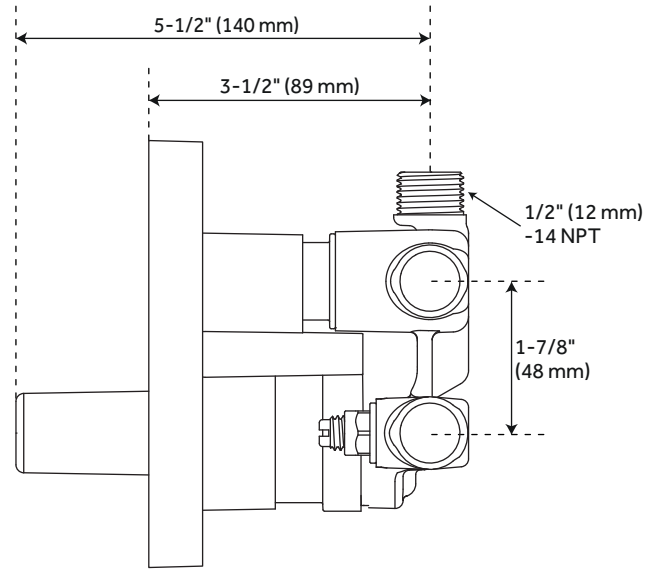
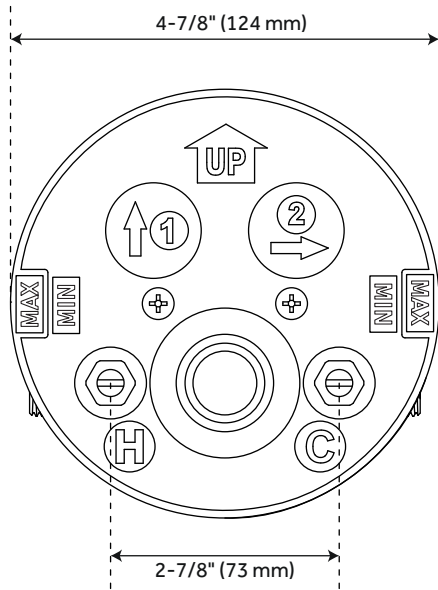
SHHB8040, SHHB8040Z



All dimensions and specifications are nominal and may vary. Use actual products for accuracy in critical situations.

HIBISCUS OPTIONAL PRESSURE BALANCE ROUGH-IN VALVE

SKU: 948974
SH5001SSG



STANDARD:

Pressure (psi)		20	40	60	80
Simultaneous (Both Valves Open)	Total (gpm)	3.4	5	6.3	7.4
	Outlet A (gpm)	1.2	2.2	2.9	3.5
	Outlet B (gpm)	2.2	2.8	3.4	3.9
Separate (A or B Closed)	Outlet A (gpm)	2.5	3.9	4.8	5.5
	Outlet B (gpm)	2.5	3.9	4.8	5.5

WITH FLOW RESTRICTOR:

Pressure (psi)		20	40	60	80
Simultaneous (Both Valves Open)	Total (gpm)	1.20	1.40	1.53	1.64
	Outlet A (gpm)	0.43	0.56	0.64	0.68
	Outlet B (gpm)	0.77	0.84	0.89	0.96
Separate (A or B Closed)	Outlet A (gpm)	1.17	1.38	1.49	1.59
	Outlet B (gpm)	1.16	1.39	1.49	1.60

All dimensions and specifications are nominal and may vary. Use actual products for accuracy in critical situations.