

# HIBISCUS SIMPLE SELECT SHOWER SYSTEM WITH SLIDE BAR AND HAND SHOWER

SKU: 953899

Code: SHHB8040,SH5001SSG,SHRSA120S,SHSH2080G,SHHS4080G,SHH1010,SHWE2020,SHSB3050,SHHB8040Z,SH5001SSG,SHRSA120SZ,SHSH2080GZ,SHHS4080GZ,SHH1010Z,SHWE2020Z,SHSB3050



## FEATURES

- Shower Head Swivel: Yes
- Hand Shower Spray: Full
- Hand Shower Flow Rate: 1.8 gpm (6.8 L/min) @ 80 psi
- Connection Type: 1/2" MIP and SWT
- Diverter Outlets: 2
- Cartridge Type: Ceramic Disc

ASME A112.18.1/CSA B125.1, ASSE 1016 Type P, CEC Listed, WaterSense by IAPMO, Massachusetts Accepted, LISTED ID: SHHS4080G\*, SHH1010\*, SHRSA120S\*\*, SHSH2080G\*, SHWE2020\*, SHHB8040\*, SH5001SSG



## ADDITIONAL FEATURES

- Shower system includes wall mount shower head and arm, wall mount slide bar with hand shower and hose, hand shower water connection, and a pressure balanced valve with 2-way diverter.
- Valve with diverter features 1/2" IPS inlets and controls water flow between 2 shower outlets.
- Slide bar overall height: 25".
- For water outlet configuration options consult a professional for installation.

REVISED 6/13/2024

# HIBISCUS SIMPLE SELECT 2-WAY PRESSURE BALANCE SHOWER VALVE

SKU: 948974

Code: SHHB8040, SH5001SSG



## FEATURES

Material: Brass

Connection Type: 1/2" MIP and SWT

Diverter Outlets: 2

Cartridge Type: Ceramic Disc

ASME A112.18.1/CSA B125.1, ASSE 1016 Type P, Massachusetts Accepted, LISTED ID: SHHB8040\*, SH5001SSG



## ADDITIONAL FEATURES

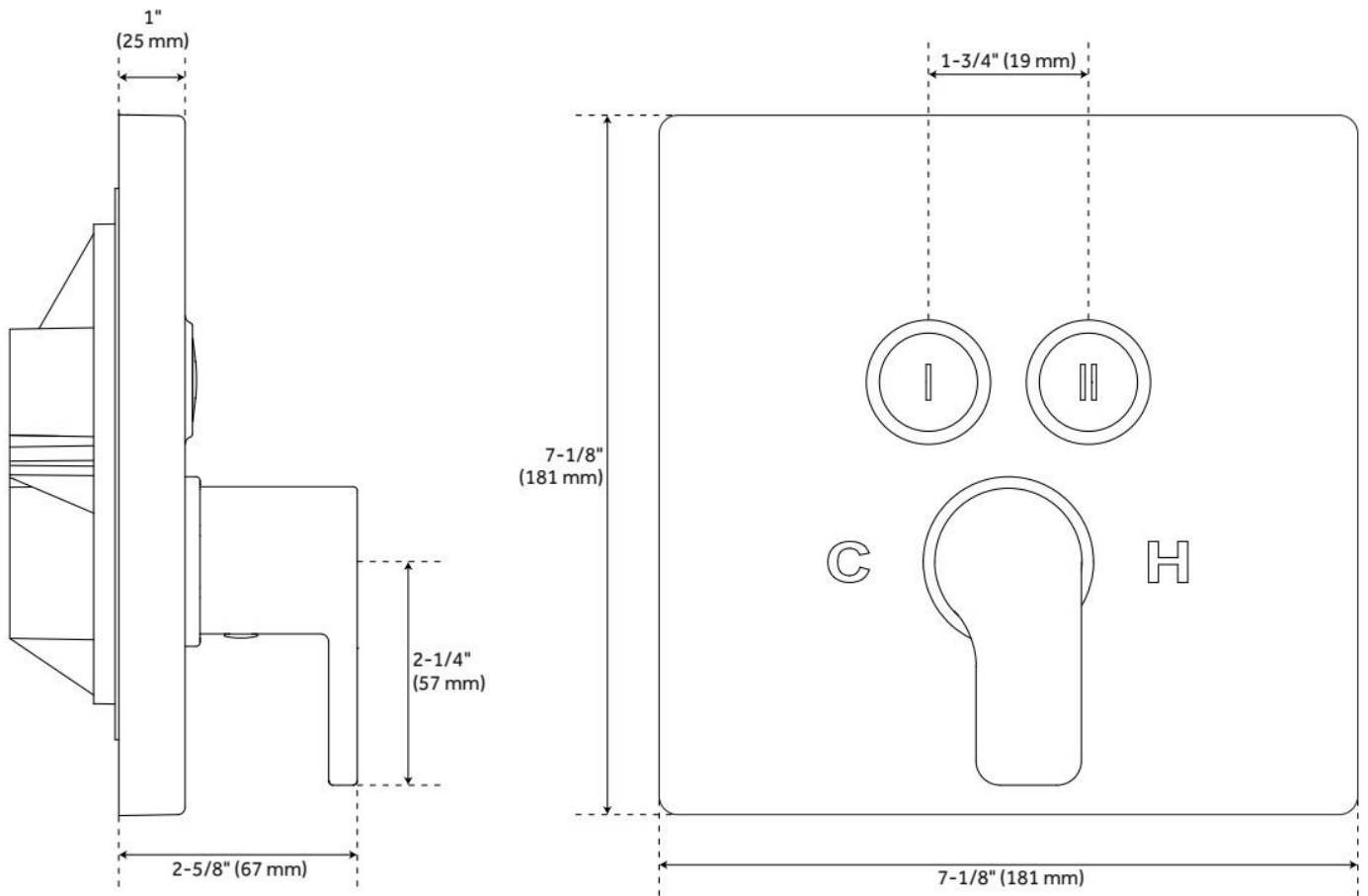
- Dual functionality allows for one or both shower features to run at a time.
- Optional Rough-in Valve:
  - Pressure balanced with integral stops.
  - One-piece cartridge design for ease of maintenance.
  - Back-to-back capability.
  - Adjustable temperature limit stop.
  - Cast bronze body.
  - Quick remove plaster guard.
  - Easy mounting brackets.
  - Valve Dimensions: 4-7/8" L x 4-3/8" W x 5-1/2" D .

REVISED 6/12/2024

# HIBISCUS SIMPLE SELECT 2-WAY PRESSURE BALANCE SHOWER VALVE

SKU: 948974

Code: SHHB8040, SH5001SSG



REVISED 6/12/2024

# PRESSURE BALANCE ROUGH-IN VALVE FOR SIMPLE SELECT TRIMS

SKU: 460073  
Code: SH5001SSGG



## FEATURES

Material: Bronze  
Flow Rate: 7.4 gpm (28.0 L/min) @ 80 psi  
Connection Type: 1/2" MIP and SWT  
Diverter Outlets: 2  
Cartridge Type: Ceramic Disc

IAPMO, ASME A112.18.1/CSA B125.1, ASSE 1016 Type P, Massachusetts Accepted, LISTED ID: SH5001SSG



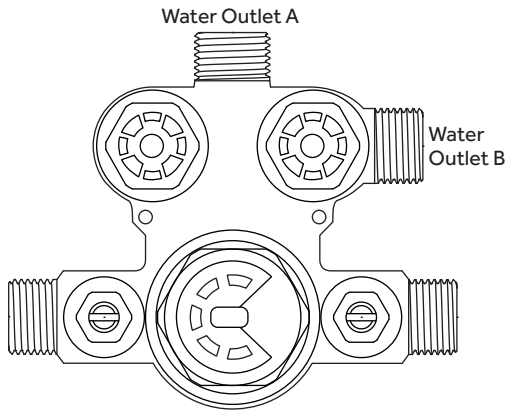
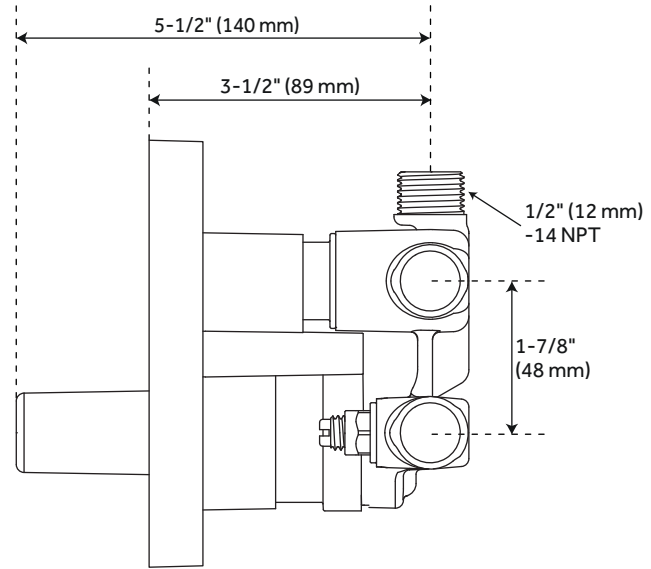
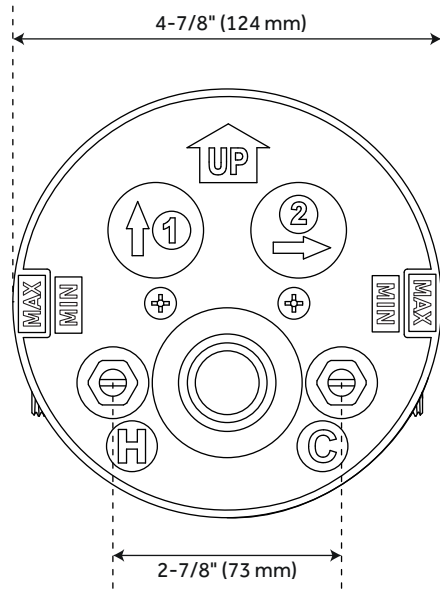
## ADDITIONAL FEATURES

- Dual functionality allows for one or both shower features to run at a time.
- Pressure balanced with integral stops.
- One-piece cartridge design for ease of maintenance.
- Back-to-back capability.
- Adjustable temperature limit stop.
- Cast bronze body.
- Quick remove plaster guard.
- Easy mounting brackets.
- Compatible with Greyfield and Hibiscus Simple Select trims.

REVISED 5/29/2024

# PRESSURE BALANCE ROUGH-IN VALVE FOR SIMPLE SELECT TRIMS

SKU: 460073  
SH5001SSGG



## STANDARD:

Pressure (psi)		20	40	60	80
Simultaneous (Both Valves Open)	Total (gpm)	3.4	5	6.3	7.4
	Outlet A (gpm)	1.2	2.2	2.9	3.5
	Outlet B (gpm)	2.2	2.8	3.4	3.9
Separate (A or B Closed)	Outlet A (gpm)	2.5	3.9	4.8	5.5
	Outlet B (gpm)	2.5	3.9	4.8	5.5

## WITH FLOW RESTRICTOR:

Pressure (psi)		20	40	60	80
Simultaneous (Both Valves Open)	Total (gpm)	1.20	1.40	1.53	1.64
	Outlet A (gpm)	0.43	0.56	0.64	0.68
	Outlet B (gpm)	0.77	0.84	0.89	0.96
Separate (A or B Closed)	Outlet A (gpm)	1.17	1.38	1.49	1.59
	Outlet B (gpm)	1.16	1.39	1.49	1.60

All dimensions and specifications are nominal and may vary. Use actual products for accuracy in critical situations.

# LOWDEN SLIDE BAR FOR HAND SHOWER

SKU: 953090

Code: SHSB3050, SHSB3060



## FEATURES

Material: Brass

## ADDITIONAL FEATURES

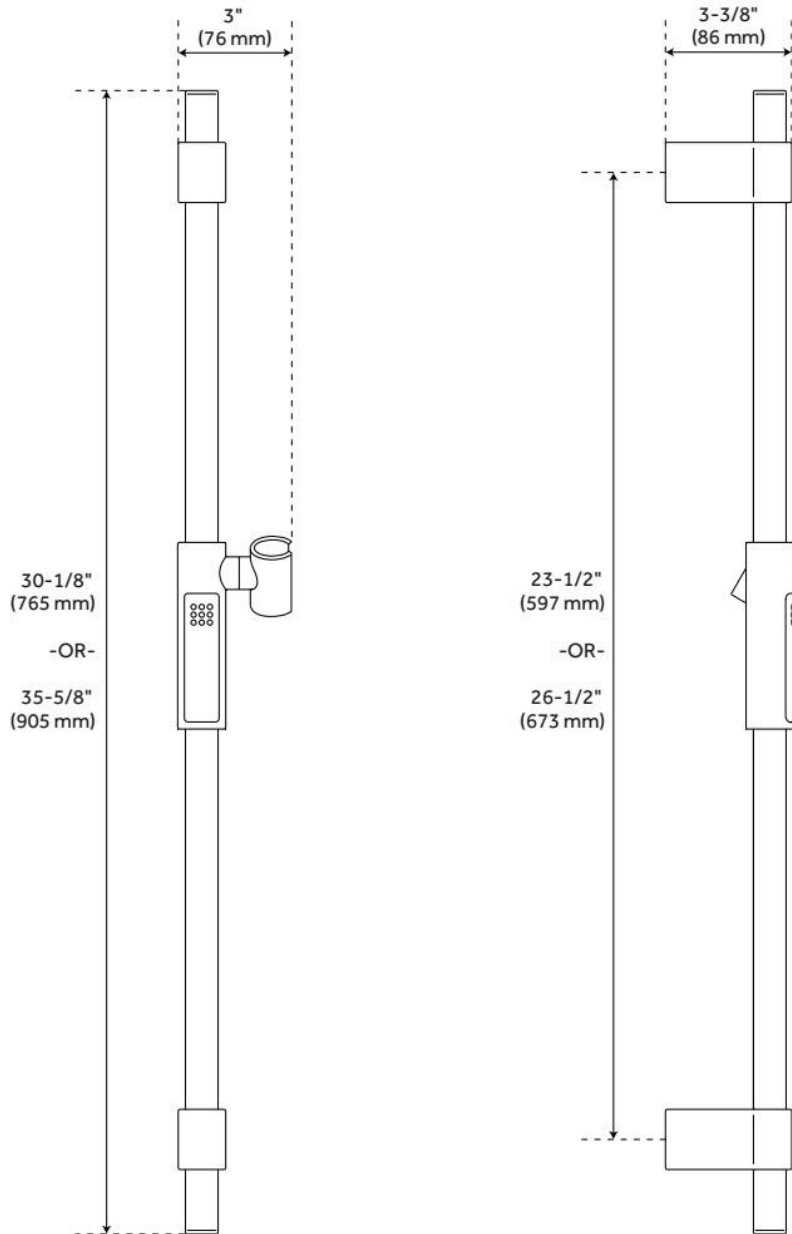
- 30" Slide Bar Centers: 23-1/2"
- 36" Slide Bar Centers: 26-1/2"
- Slide Bar Outside Diameter: 7/8"

REVISED 6/3/2024

# LOWDEN SLIDE BAR FOR HAND SHOWER

SKU: 953090

Code: SHSB3050, SHSB3060



REVISED 6/3/2024

# HIBISCUS HAND SHOWER

SKU: 948930  
Code: SHHS4080G

## FEATURES

Material: ABS  
Hand Shower Spray: Full  
Hand Shower Flow Rate: 1.8 gpm (6.8 L/min) @ 80 psi



ASME A112.18.1/CSA B125.1, CEC Listed, WaterSense by IAPMO, Massachusetts Accepted, LISTED ID: SHHS4080G\*



## ADDITIONAL FEATURES

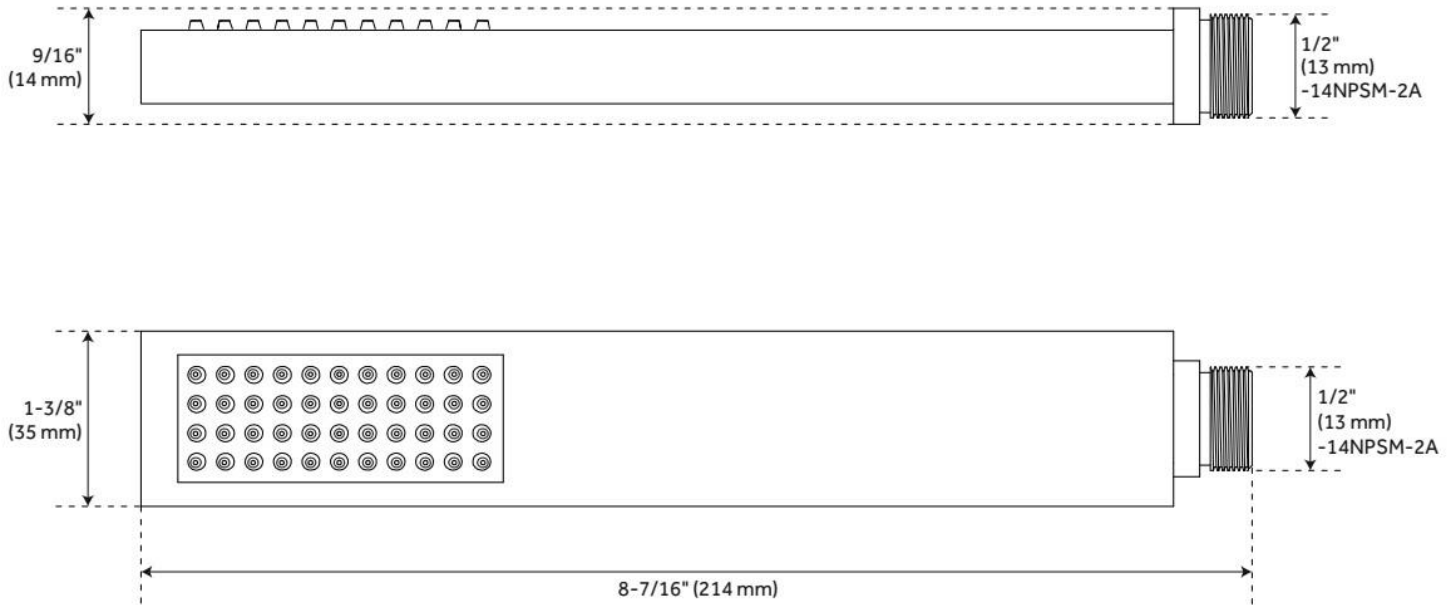
- Single function hand shower (full spray).
- Easy-clean spray nozzles.
- Factory installed backflow prevention check valve.
- Hose sold separately.

REVISED 6/12/2024



# HIBISCUS HAND SHOWER

SKU: 948930  
Code: SHHS4080G



REVISED 6/12/2024

# 60" STRETCHABLE METAL HAND SHOWER HOSE

SKU: 948938

Code: SHH1010, SH484205, SH485500, SHH1010PB

## FEATURES

Connection Type: 1/2" IPS



ASME A112.18.1/CSA B125.1, Massachusetts Accepted, LISTED ID: SHH1010\*



## ADDITIONAL FEATURES

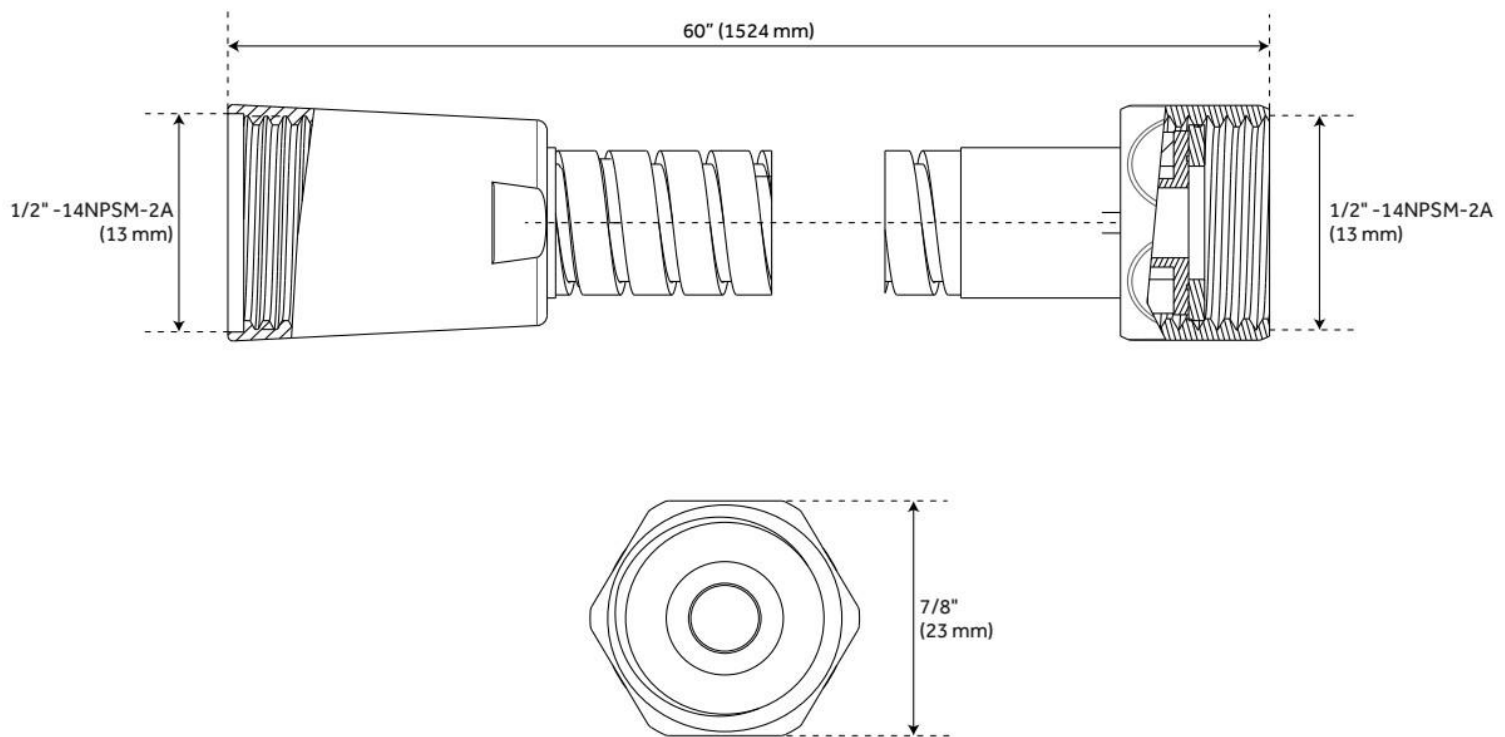
- 60" - 72" stretchable metal shower hose.
- Double spiral construction.
- Metal conical nut.

REVISED 5/24/2024

# 60" STRETCHABLE METAL HAND SHOWER HOSE

SKU: 948938

Code: SHH1010, SH484205, SH485500, SHH1010PB



REVISED 5/24/2024

# MODERN SQUARE WALL-MOUNT SHOWER ARM WITH FLANGE

SKU: 948956

Code: SHRSA180S, SHRSA120S

## FEATURES

Material: Brass

Connection Type: 1/2" NPT



ASME A112.18.1/CSA B125.1, Massachusetts Accepted, LISTED ID: SHRSA180S\*\*, SHRSA120S\*\*



## ADDITIONAL FEATURES

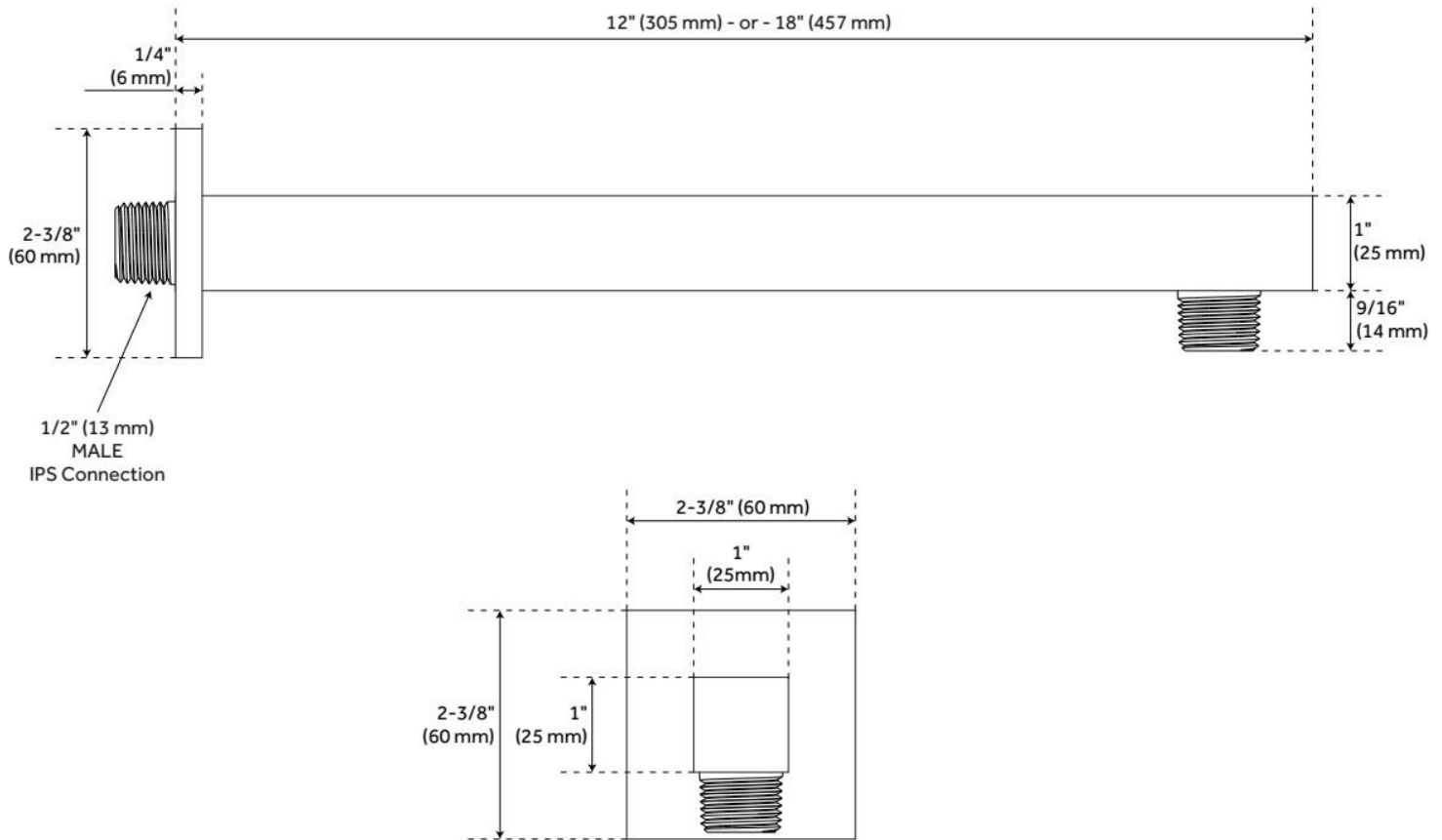
- Solid brass construction.
- Escutcheon included.

REVISED 5/24/2024

# MODERN SQUARE WALL-MOUNT SHOWER ARM WITH FLANGE

SKU: 948956

Code: SHRSA180S, SHRSA120S



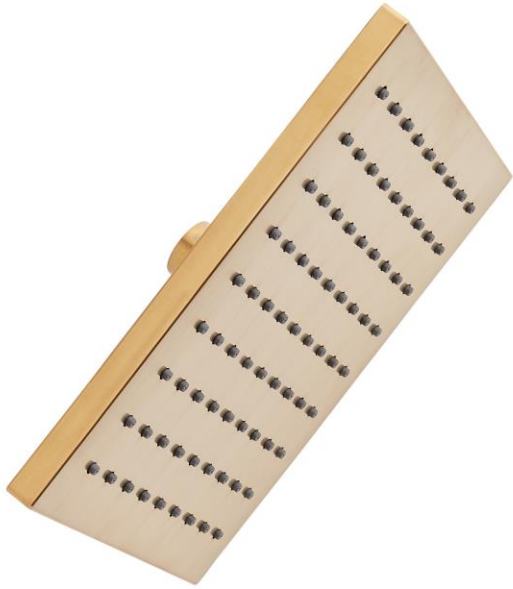
REVISED 5/24/2024

# RIGI SQUARE RAINFALL SHOWER HEAD

SKU: 948953  
Code: SHSH2080G

## FEATURES

Material: ABS  
Shower Head Swivel: Yes  
Flow Rate: 1.8 gpm (6.8 L/min) @ 80 psi



ASME A112.18.1/CSA B125.1, CEC Listed, WaterSense by IAPMO, Massachusetts Accepted, LISTED ID: SHSH2080G\*



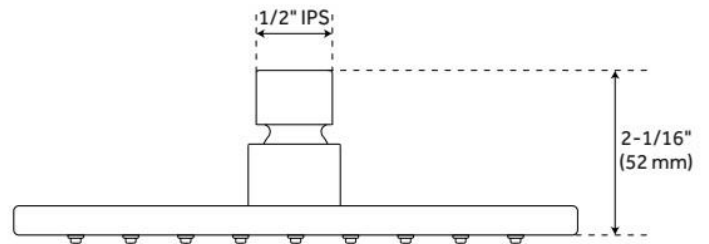
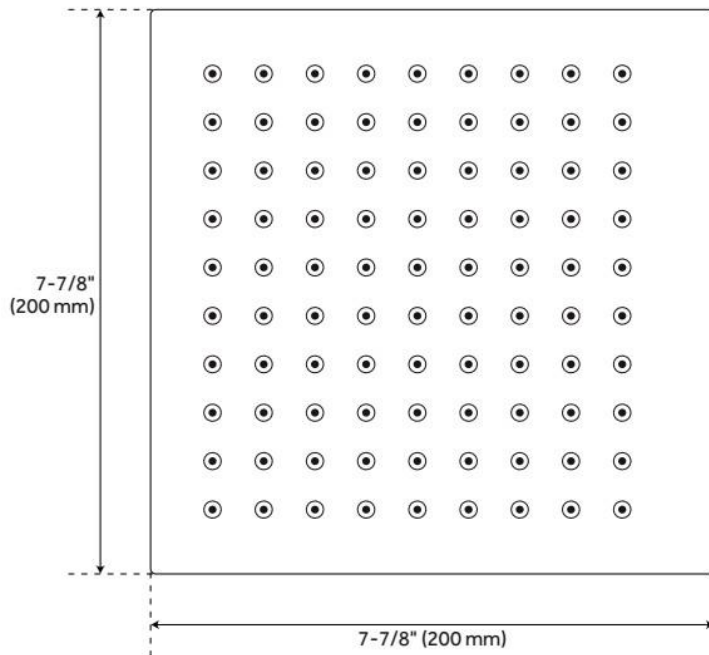
## ADDITIONAL FEATURES

- Single function rainfall shower head.
- Brass ball joint & threaded connection.
- Easy clean rubber nozzles.
- Easy installation.

REVISED 5/24/2024

# RIGI SQUARE RAINFALL SHOWER HEAD

SKU: 948953  
Code: SHSH2080G



REVISED 5/24/2024

# CONTEMPORARY SQUARE WATER SUPPLY ELBOW FOR HAND SHOWER

SKU: 948933  
Code: SHWE2020



## FEATURES

Material: Metal  
Connection Type: 1/2" NPT

LISTED ID: SHWE2020\*



## ADDITIONAL FEATURES

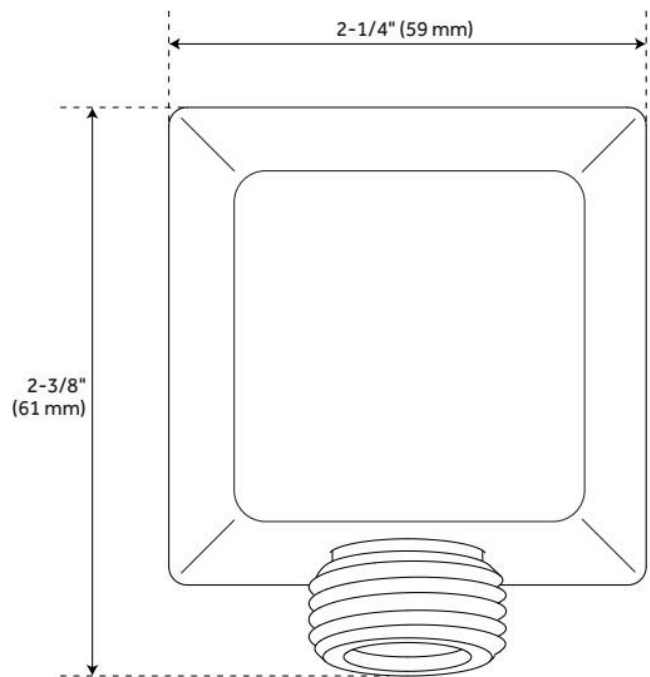
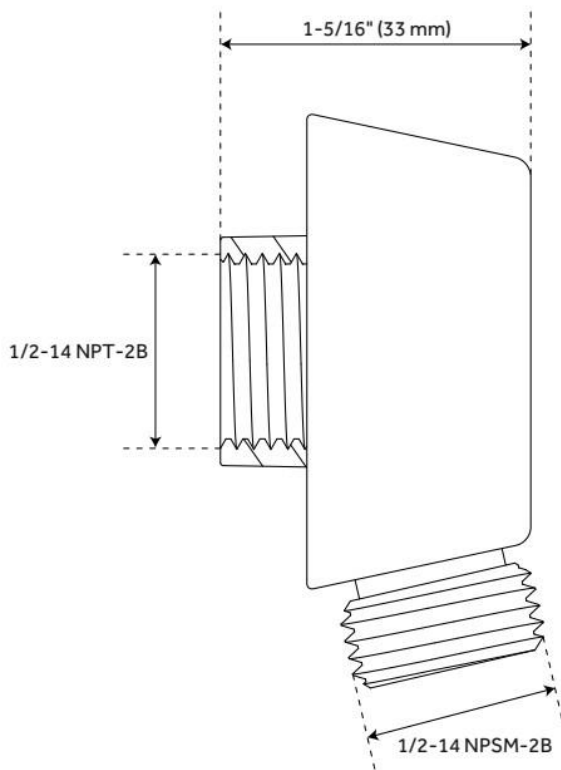
- 1/2" Female wall connection.
- 1/2" Male hose connection.

REVISED 5/23/2024



# CONTEMPORARY SQUARE WATER SUPPLY ELBOW FOR HAND SHOWER

SKU: 948933  
Code: SHWE2020



REVISED 5/23/2024