

# MOORETOWN 2-LIGHT VANITY LIGHT

SKU: 953911  
Code: PHVL3072



UL 1598 / CSA C22.2 No 250.0

## FEATURES

Installation Type: Wall Mount  
Design: Industrial  
Material: Glass  
Width: 19"  
Height: 8-3/4"  
Depth: 8-1/2"  
Base Plate Diameter: 4-3/4"  
Mounting Hardware Included: Yes  
Reversible Mounting: Yes  
Shade Finish: Clear  
Shade Material: Glass  
Number of Bulbs: 2  
Base Plate Width: 4-3/4"  
Base Plate Depth: 1/2"  
Location Type: Suitable for Damp Locations  
Bulbs Included: No  
Bulb Type: Medium E-26  
Wattage per Bulb: 100  
Extension: 8-1/2"  
Weight: 6  
Voltage: 110

REVISED 4/11/2023

# MOORETOWN 2-LIGHT VANITY LIGHT

---

SKU: 953911  
Code: PHVL3072

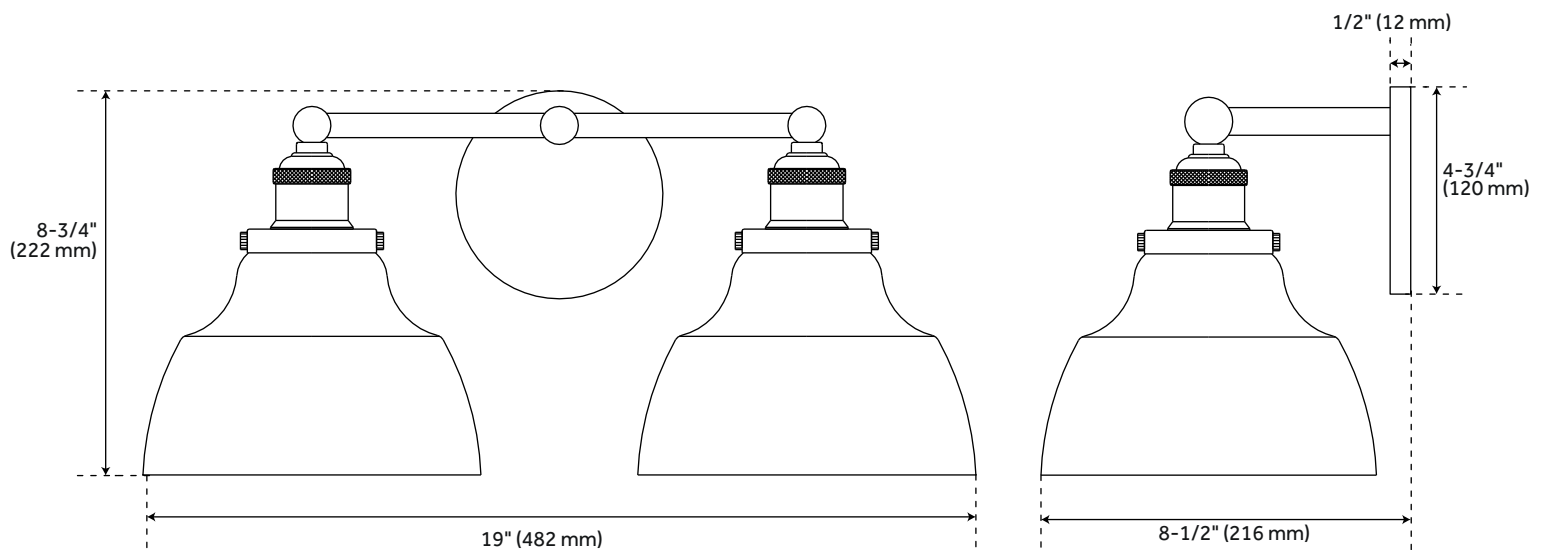


## ADDITIONAL FEATURES

- Hardwired.

REVISED 4/11/2023

# MOORETOWN 2-LIGHT VANITY LIGHT



All dimensions and specifications are nominal and may vary. Use actual products for accuracy in critical situations.