

DREA SINGLE-HOLE BATHROOM FAUCET

SKU: 953914

Code: SHWSCDR107, SHDP200



FEATURES

Material: Metal construction for strength and durability

Installation Type: Single-Hole

Connection Type: IPS

Flow Rate: 1.2 gpm (4.5 L/min) @ 60 psi

Cartridge Type: Ceramic Disc

Swivel Spout: No

Drain Type: Metal push-pop with overflow

Optional Accessory: Optional deck plate: SHDP200*

ASME A112.18.1/CSA B125.1, NSF/ANSI 372, NSF/ANSI 61, NSF/ANSI/CAN 61, NSF/ANSI/CAN 61-9:Q≤1, ICC/ANSI A117.1, CEC Listed, CALGreen, WaterSense by IAPMO, Massachusetts Accepted, LISTED ID: SHWSCDR107*, N/A



ADDITIONAL FEATURES

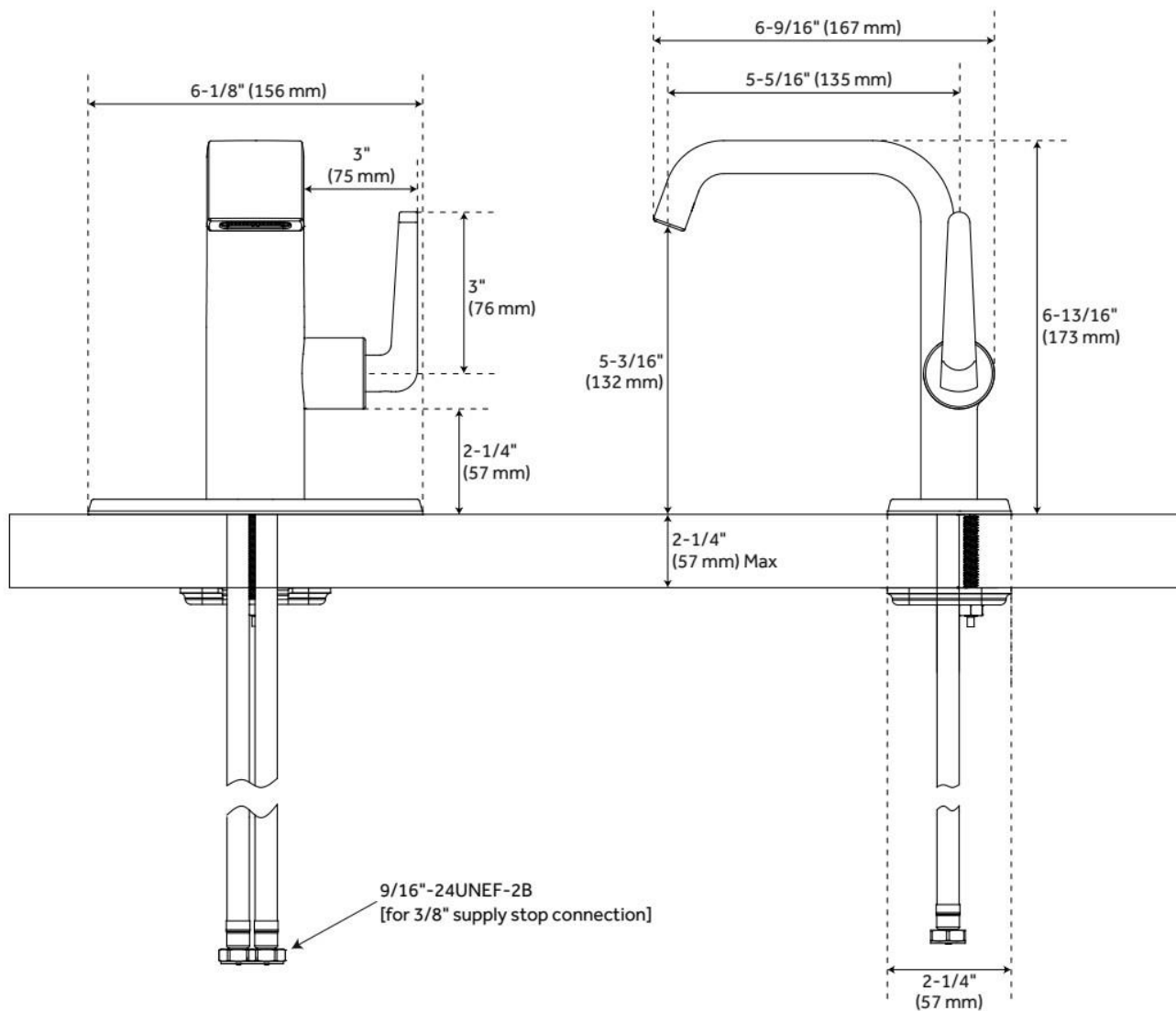
- Metal construction for ultimate strength and durability.
- Optional deck plate can convert faucet from a single-hole installation to a 4" centerset spread available. (SHDP200)

REVISED 5/20/2024

DREA SINGLE-HOLE BATHROOM FAUCET

SKU: 953914

Code: SHWSCDR107, SHDP200

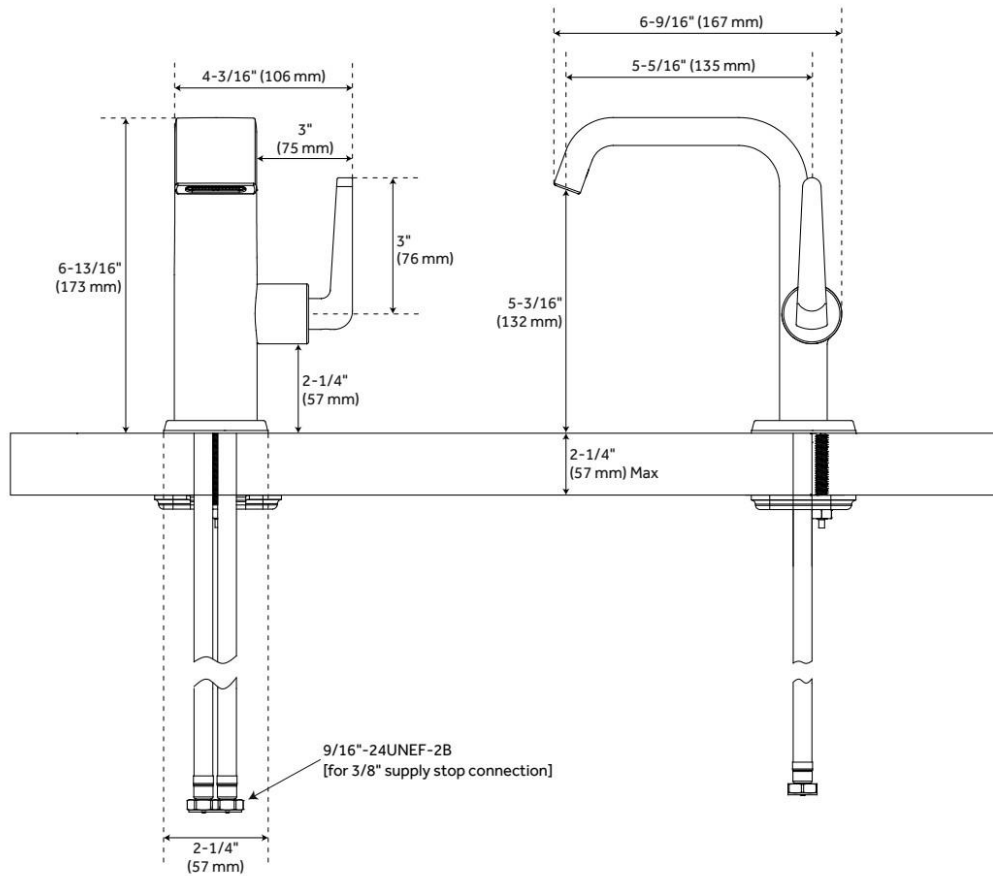


REVISED 5/20/2024

DREA SINGLE-HOLE BATHROOM FAUCET

SKU: 953914

Code: SHWSCDR107, SHDP200

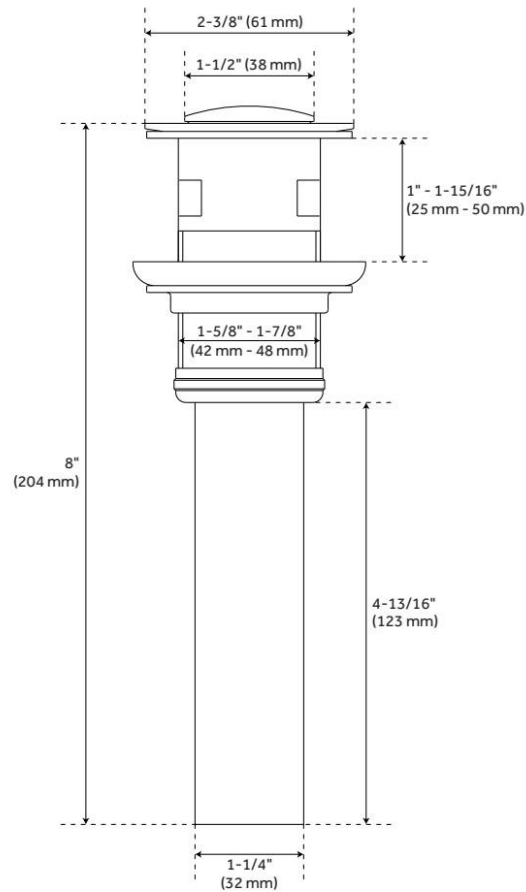


REVISED 5/20/2024

DREA SINGLE-HOLE BATHROOM FAUCET

SKU: 953914

Code: SHWSCDR107, SHDP200



REVISED 5/20/2024