

DREA WALL-MOUNT BATHROOM FAUCET

SKU: 485012

Code: SHWSCDR207



FEATURES

Material: Metal construction for strength and durability

Installation Type: Wall Mount

Connection Type: IPS

Cartridge Type: Ceramic Disc

Swivel Spout: No

Drain Type: Metal push-pop with overflow

Required for Installation: Rough-in valve: SHWMR2000

ASME A112.18.1/CSA B125.1, NSF/ANSI 372, NSF/ANSI 61, NSF/ANSI/CAN 61, NSF/ANSI/CAN 61-9:Q≤1, ICC/ANSI A117.1, CEC Listed, CALGreen, WaterSense by IAPMO, Massachusetts Accepted, LISTED ID: SHWSCDR207*



ADDITIONAL FEATURES

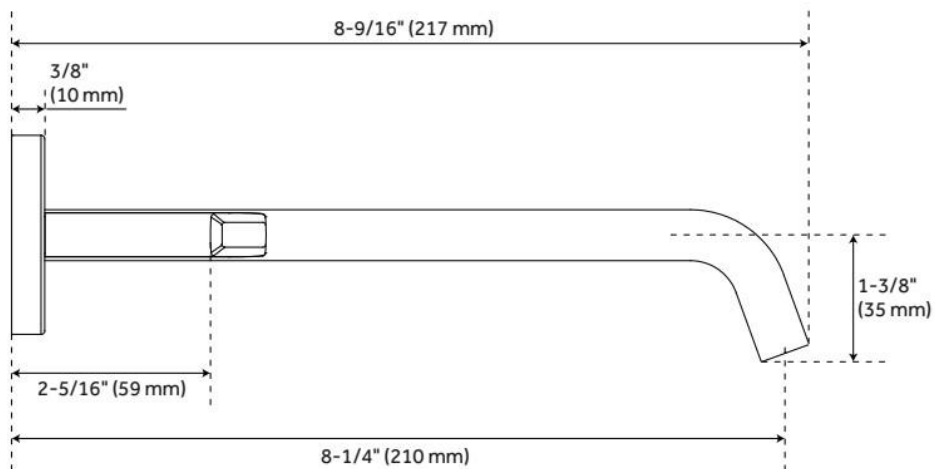
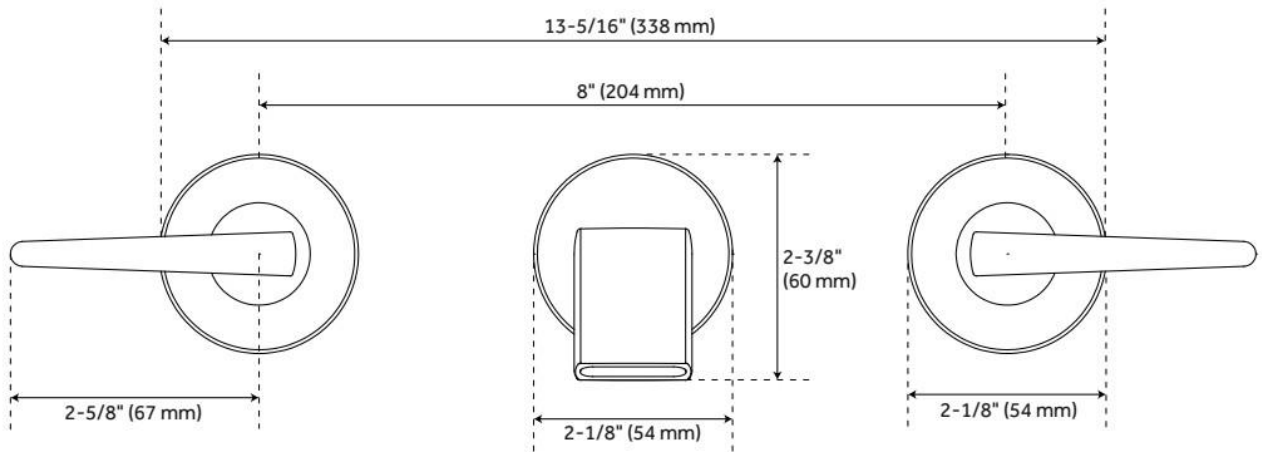
- Metal construction for ultimate strength and durability.
- Flow rate of 1.2 gpm (4.54L/per minute) @ 60 psi when purchased with valve. Valve required for use. (SHWMR2000)
- For above-counter lavatories and wall-mount installations.

REVISED 5/20/2024

DREA WALL-MOUNT BATHROOM FAUCET

SKU: 485012

Code: SHWSCDR207

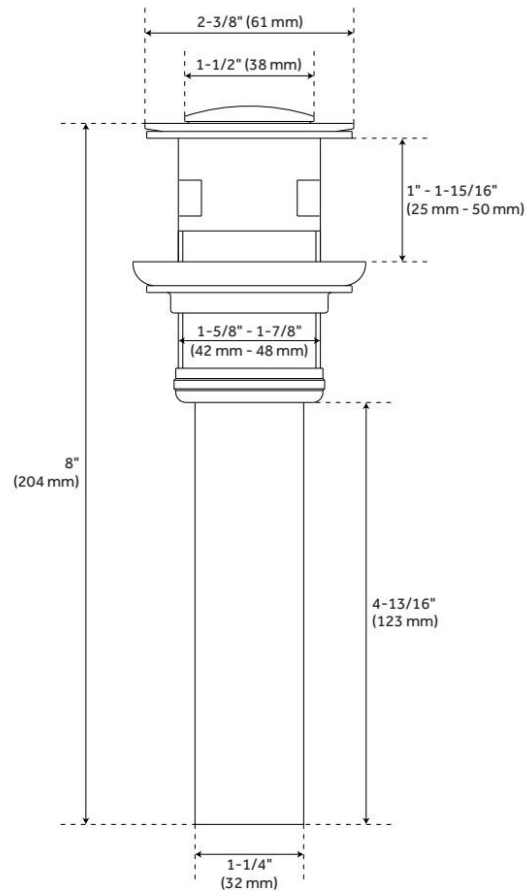


REVISED 5/20/2024

DREA WALL-MOUNT BATHROOM FAUCET

SKU: 485012

Code: SHWSCDR207



REVISED 5/20/2024

WALL-MOUNT FAUCET ROUGH-IN VALVE

SKU: 485019
Code: SHWMR2000

FEATURES

Material: Metal construction for strength and durability
Cartridge Type: Ceramic Disc



ASME A112.18.1/CSA B125.1, NSF/ANSI 372, NSF/ANSI 61, NSF/ANSI/CAN 61, NSF/ANSI/CAN 61-9:Q≤1,
Massachusetts Accepted, LISTED ID: SHWMR2000



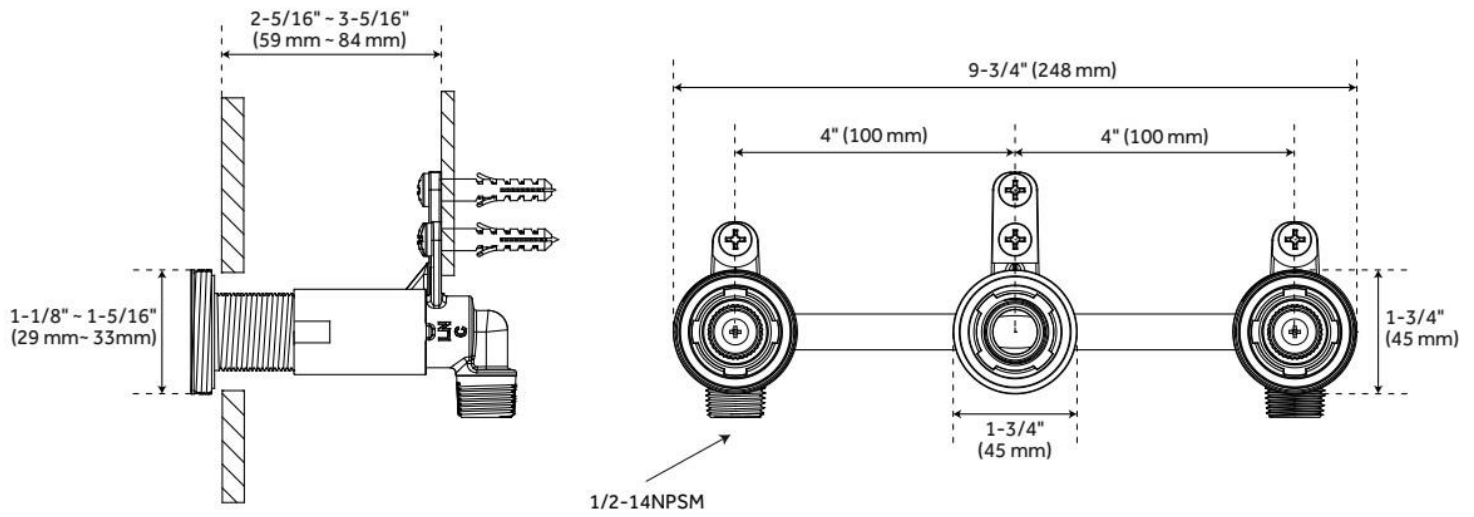
ADDITIONAL FEATURES

- Durable brass construction.
- Ceramic cartridge.
- Flow rate of 14 gpm (53/L per minute) @ 60 psi when used with a wall mount tub faucet.
- Flow rate of 1.2 gpm (4.54L/per minute) @ 60 psi when used with a wall mount lav faucet.

REVISED 5/20/2024

WALL-MOUNT FAUCET ROUGH-IN VALVE

SKU: 485019
Code: SHWMR2000



REVISED 5/20/2024