

# DREA FREESTANDING TUB FAUCET WITH HAND SHOWER

SKU: 953918

Code: SHFSR2000, SHDRFS2000G, SHFSR2000WS



## FEATURES

Material: Metal construction for strength and durability  
Installation Type: Freestanding  
Spray Type: Full  
Cartridge Type: Ceramic Disc  
Swivel Spout: No  
Required for Installation: Rough-in valve: SHFSR2000 or SHFSR2000WS

ASME A112.18.1/CSA B125.1, ICC/ANSI A117.1, CEC Listed, WaterSense by IAPMO, Massachusetts Accepted



## ADDITIONAL FEATURES

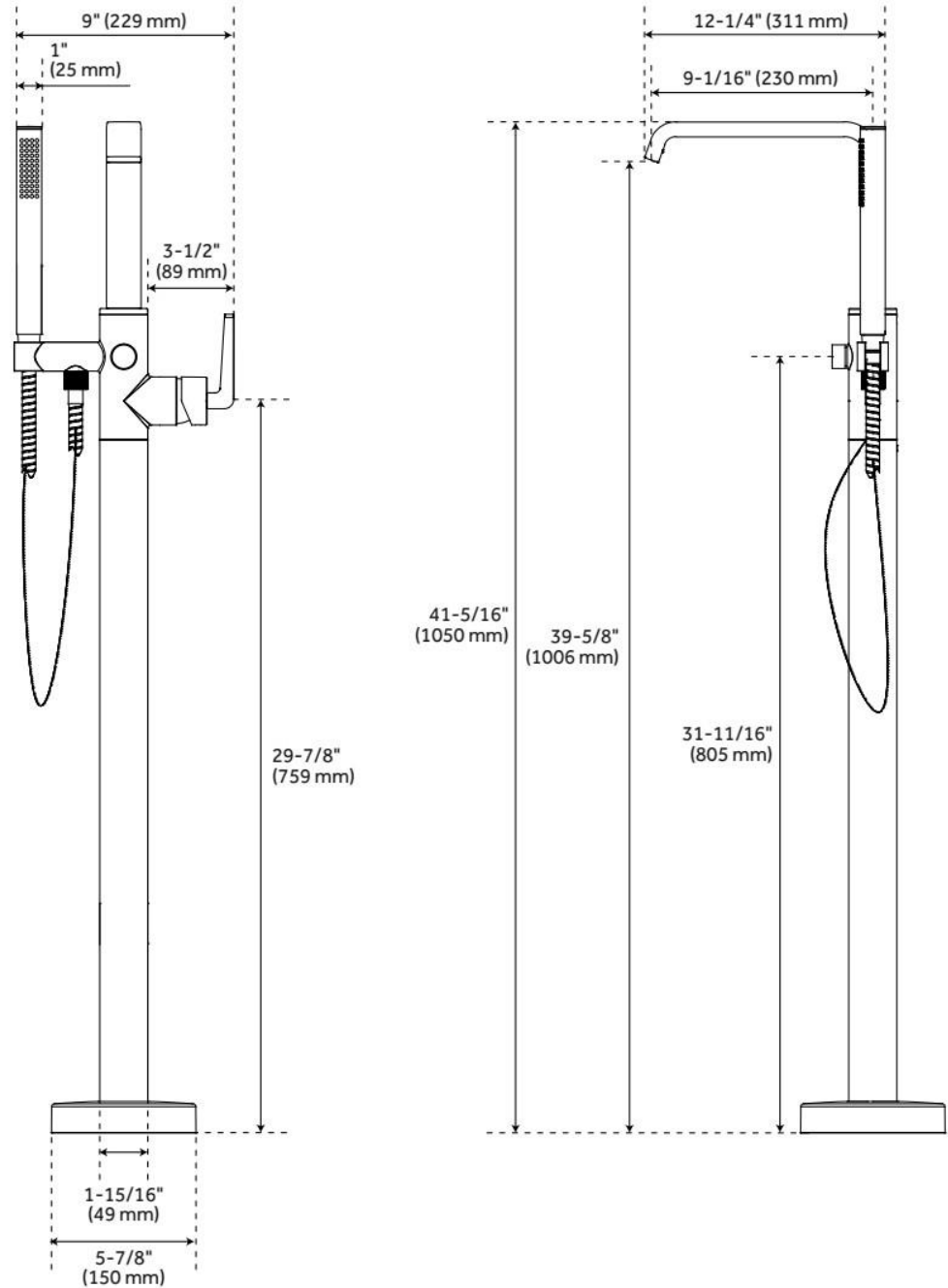
- Metal construction for ultimate strength and durability.
- Tub filler flow rate is 9.5 gpm (35.7 L/min) @ 80 psi and Hand shower flow rate is 1.8 gpm (6.8 L/min) @ 80 psi is when purchased with valve. Valve required for use. (SHFSR2000 or SHFSR2000WS)
- Single function hand shower (full spray).
- Integral diverter to hand shower.
- Handshower includes factory installed backflow prevention check valve.
- Installation on an existing concrete slab will require cutting and concrete removal.

REVISED 5/13/2024

# DREA FREESTANDING TUB FAUCET WITH HAND SHOWER

SKU: 953918

Code: SHFSR2000, SHDRFS2000G, SHFSR2000WS



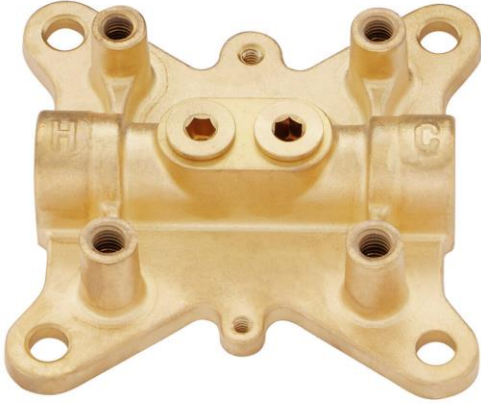
REVISED 5/13/2024

# FREESTANDING TUB FAUCET ROUGH-IN VALVE

SKU: 446521  
Code: SHFSR2000

## FEATURES

Material: Metal construction for strength and durability



ASME A112.18.1/CSA B125.1, Massachusetts Accepted, LISTED ID: SHFSR2000



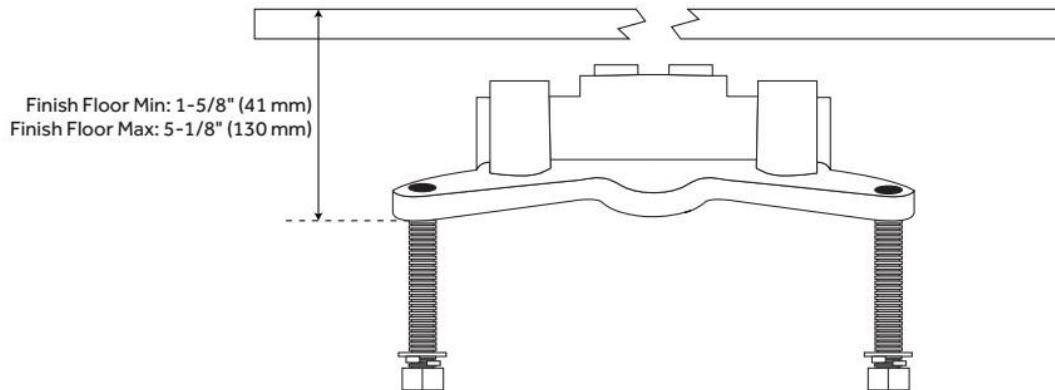
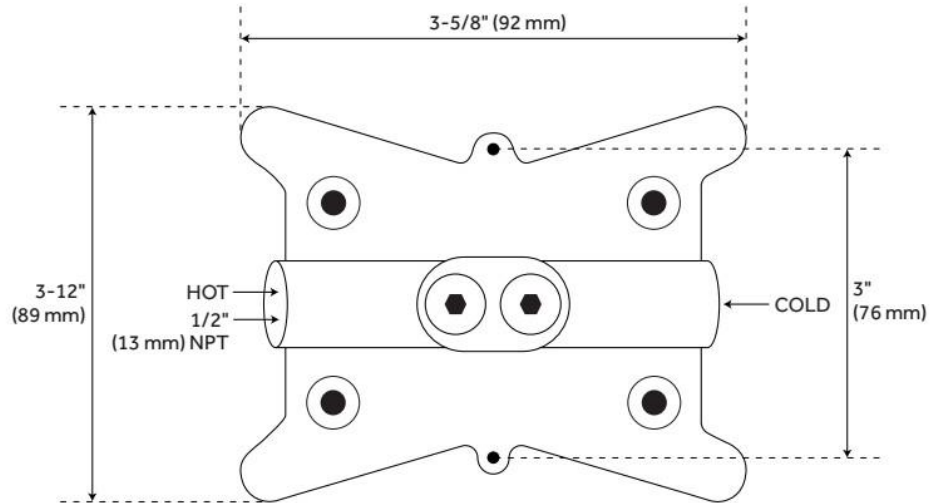
## ADDITIONAL FEATURES

- Not compatible with Ryle, Napier, Keswick, Copper and Cybelle Freestanding Tub Faucets.

REVISED 5/13/2024

# FREESTANDING TUB FAUCET ROUGH-IN VALVE

SKU: 446521  
Code: SHFSR2000



REVISED 5/13/2024

# FREESTANDING TUB FAUCET ROUGH-IN VALVE WITH STOPS

SKU: 448006  
Code: SHFSR2000WS

## FEATURES

Material: Metal construction for strength and durability



ASME A112.18.1/CSA B125.1, Massachusetts Accepted, LISTED ID: SHFSR2000WS



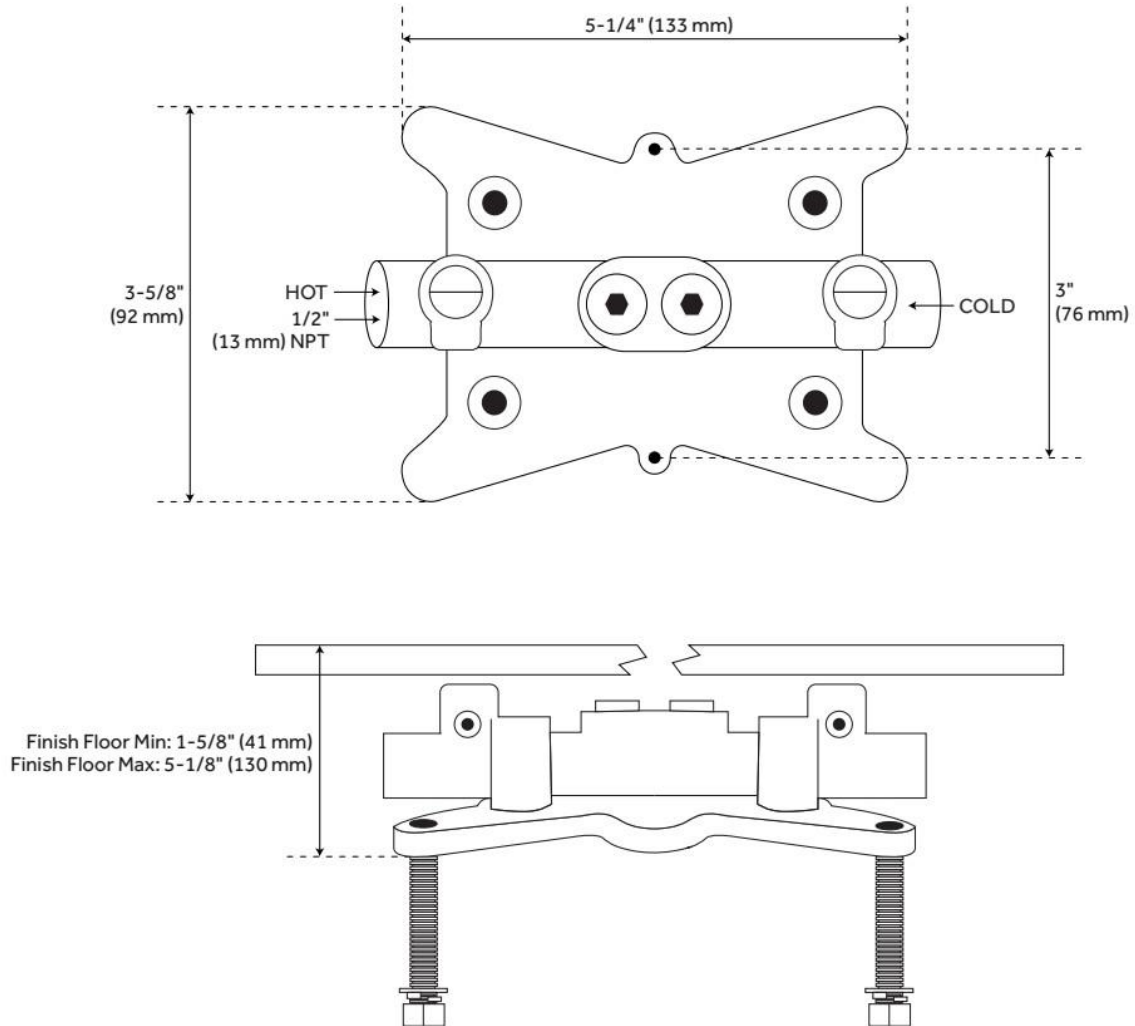
## ADDITIONAL FEATURES

- Not compatible with the Ryle, Napier, Keswick, Cooper, and Cybelle Freestanding Tub Faucets.

REVISED 5/13/2024

# FREESTANDING TUB FAUCET ROUGH-IN VALVE WITH STOPS

SKU: 448006  
Code: SHFSR2000WS



REVISED 5/13/2024