

DREA FREESTANDING TUB FAUCET WITH HAND SHOWER

SKU: 953918

Code: SHDRFS2000G, SHDRFS2000G, SHFSR2000, SHDRFS2000G, SHFSR2000WS



FEATURES

Material: Metal

Cartridge Type: Ceramic Disc

Required for Installation: Rough-in valve: SHFSR2000 or SHFSR2000WS

ASME A112.18.1/CSA B125.1, ICC/ANSI A117.1, CEC Listed, WaterSense by IAPMO, Massachusetts Accepted, LISTED ID: SHDRFS2000G*, SHFSR2000, SHFSR2000WS



ADDITIONAL FEATURES

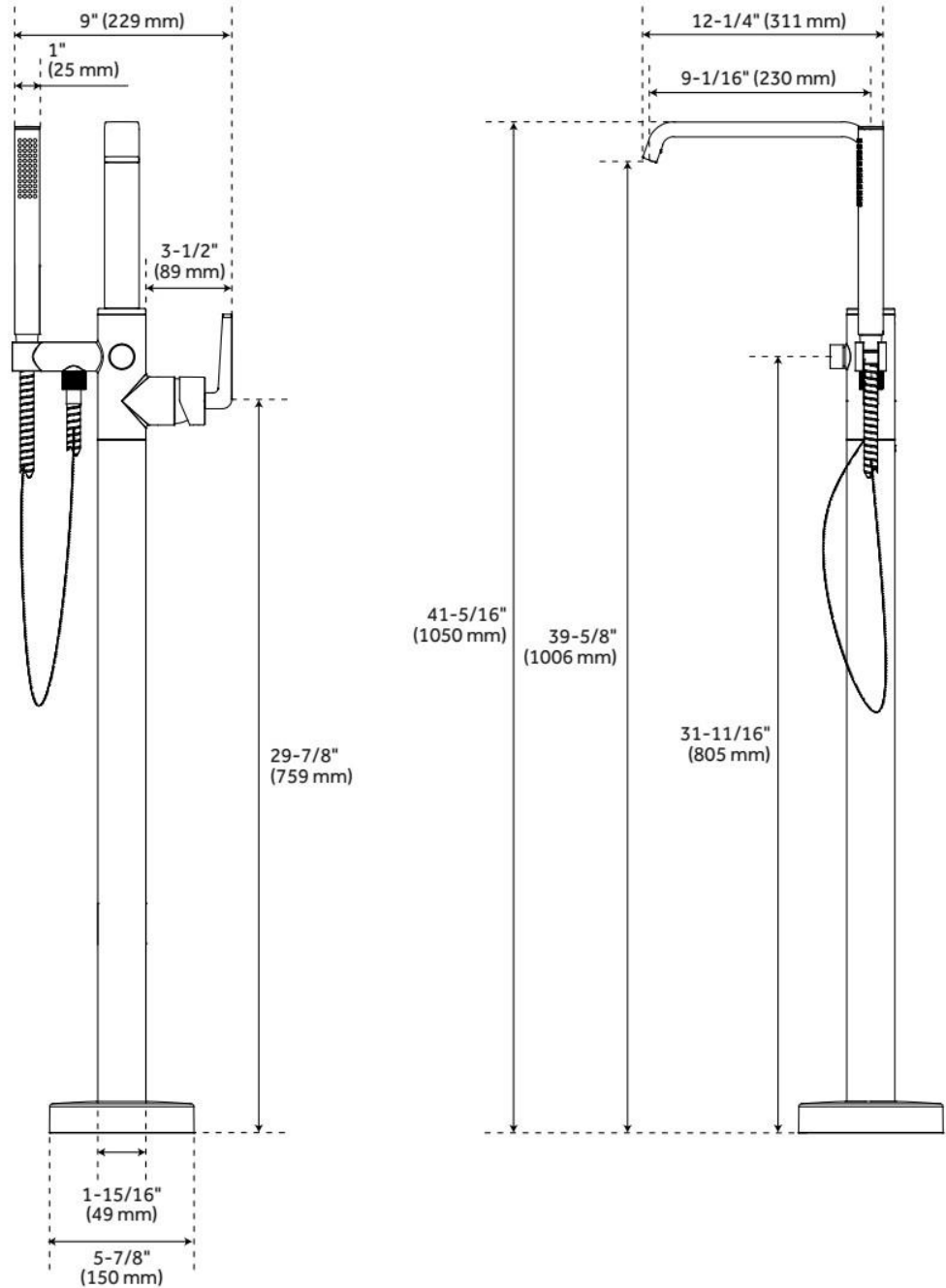
- Metal construction for ultimate strength and durability.
- Single function hand shower (full spray).
- Integral diverter to hand shower.
- Handshower includes factory installed backflow prevention check valve.
- Installation on an existing concrete slab will require cutting and concrete removal.

REVISED 9/16/2024

DREA FREESTANDING TUB FAUCET WITH HAND SHOWER

SKU: 953918

Code: SHDRFS2000G, SHDRFS2000G, SHFSR2000, SHDRFS2000G, SHFSR2000WS

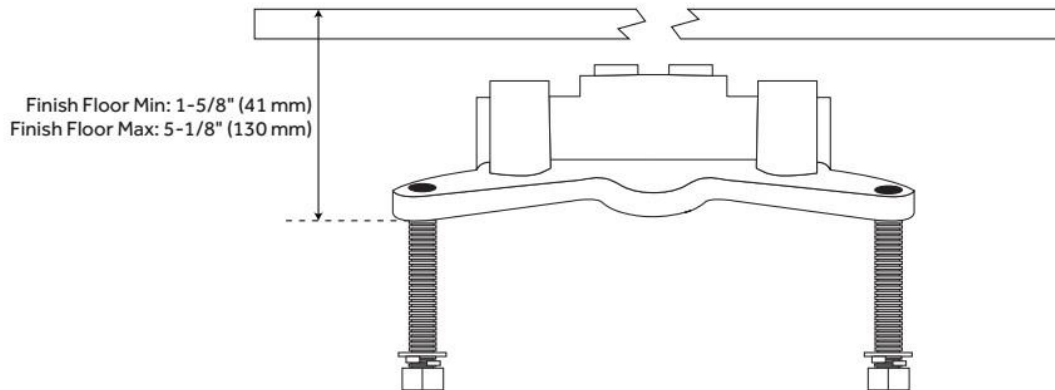
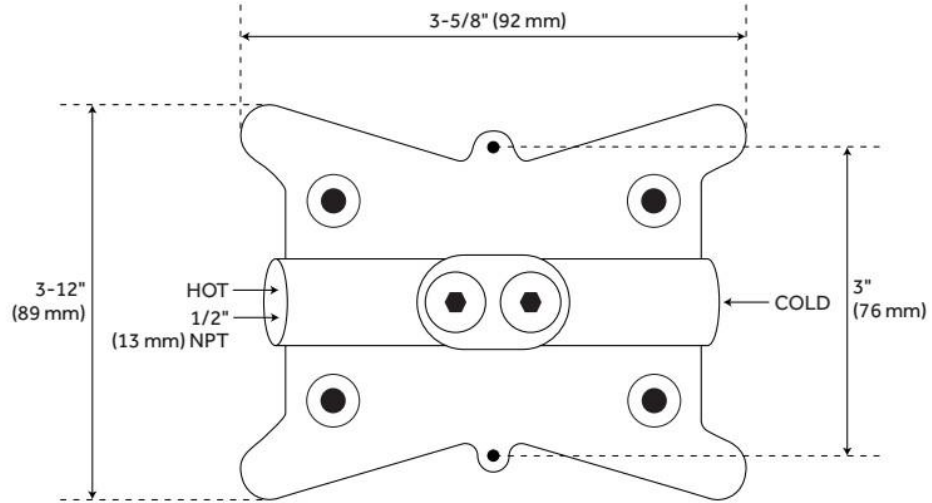


REVISED 9/16/2024

DREA FREESTANDING TUB FAUCET WITH HAND SHOWER

SKU: 953918

Code: SHDRFS2000G, SHDRFS2000G, SHFSR2000, SHDRFS2000G, SHFSR2000WS

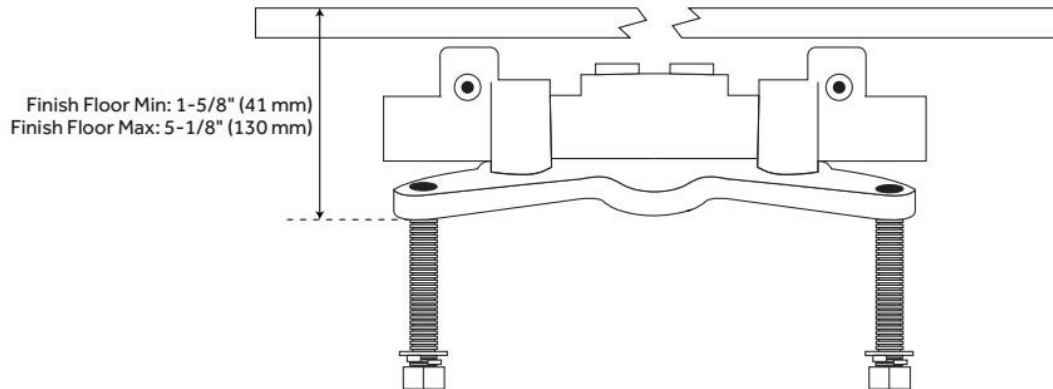
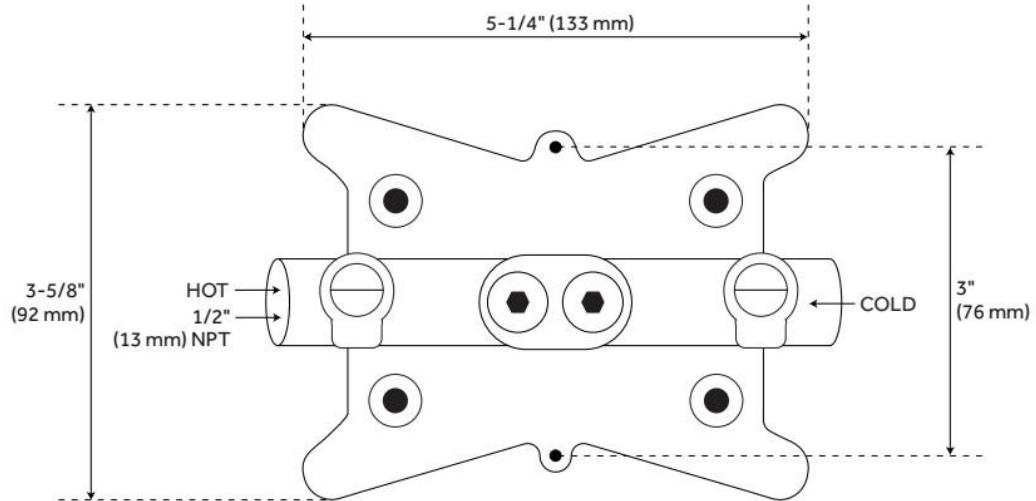


REVISED 9/16/2024

DREA FREESTANDING TUB FAUCET WITH HAND SHOWER

SKU: 953918

Code: SHDRFS2000G, SHDRFS2000G, SHFSR2000, SHDRFS2000G, SHFSR2000WS



REVISED 9/16/2024