

DREA FREESTANDING TUB FAUCET WITH HAND SHOWER

SKU: 953918

Code: SHDRFS2000G, SHDRFS2000G, SHFSR2000, SHDRFS2000G, SHFSR2000WS



FEATURES

Installation Type: Freestanding
Features: Hand Shower Included
Material: Metal
Length: 9"
Width: 12-1/4"
Height: 41-5/16"
Base Plate Length: 5-7/8"
Assembly Required: Yes
Drain Included: No
Handle Type: Lever
Base Plate Width: 5-7/8"
Hand Shower Flow Rate: 1.75 gpm (6.6 L/min) @80 psi
Diverter Included: Yes
Flow Rate: 9.2 gpm (32.8 L/min) at 60 psi
Height To Spout: 39-5/8"
Spout Reach: 9-1/16"
Swivel Spout: No
Ceramic Disc Cartridges: Yes
Hot and Cold Indicators: No
Handle Material: Metal
Tub Faucet Material: Metal

ASME A112.18.1/CSA B125.1

ICC/ANSI A117.1

CEC Listed

WaterSense by IAPMO

Massachusetts Accepted



REVISED 3/18/2024

DREA FREESTANDING TUB FAUCET WITH HAND SHOWER

SKU: 953918

Code: SHDRFS2000G, SHDRFS2000G, SHFSR2000, SHDRFS2000G, SHFSR2000WS

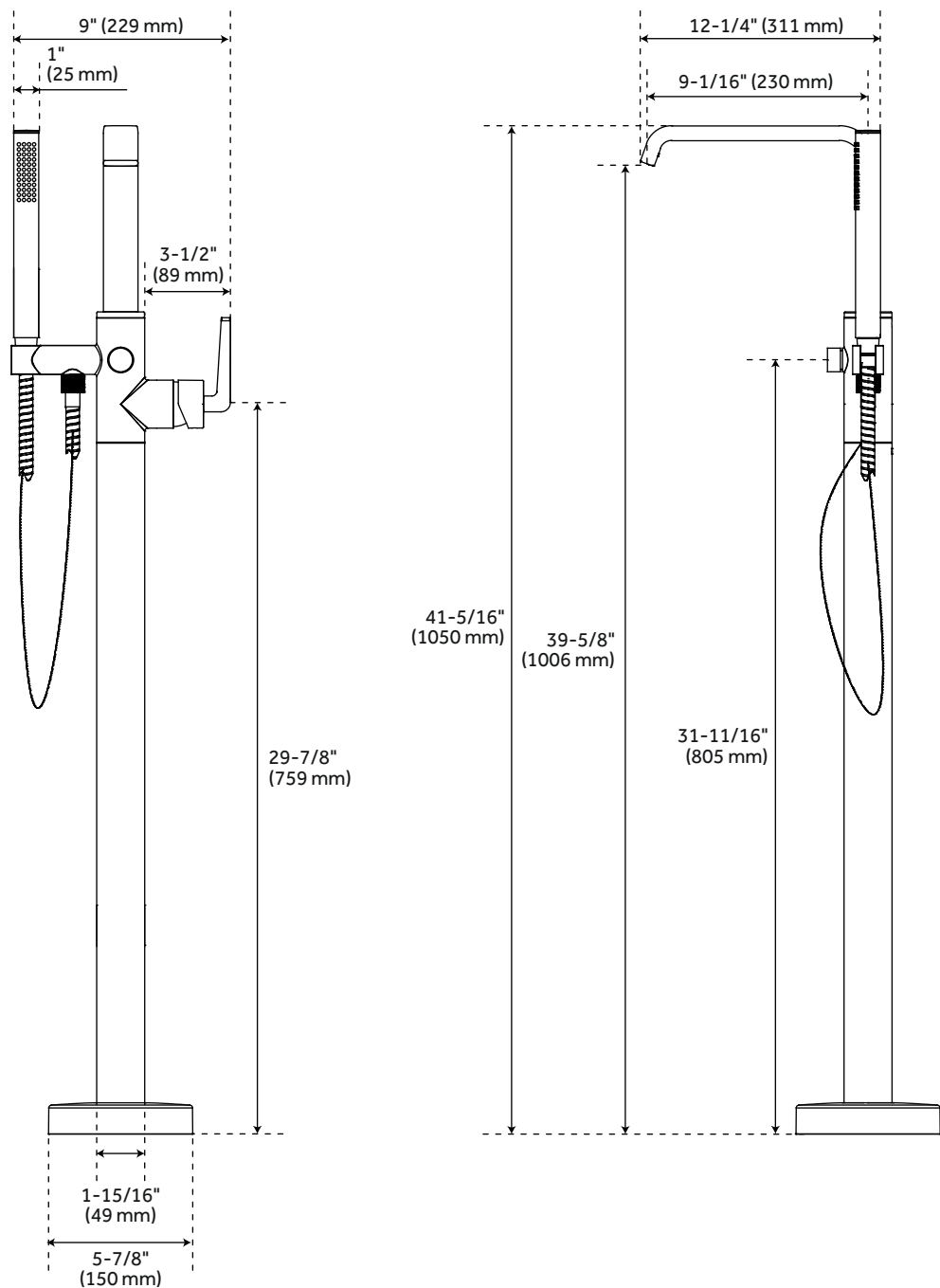


ADDITIONAL FEATURES

- Metal construction for ultimate strength and durability.
- Spout max. flow rate: 9.2 gpm (34.8 L/min) @ 60 psi.
- Single function hand shower (full spray).
- Integral diverter to hand shower.
- Handshower includes factory installed backflow prevention check valve.
- Optional rough-in valve is required for use.
- Installation on an existing concrete slab will require cutting and concrete removal.

REVISED 3/18/2024

DREA FREESTANDING TUB FAUCET WITH HAND SHOWER



All dimensions and specifications are nominal and may vary. Use actual products for accuracy in critical situations.