

DREA IN-WALL SHOWER DIVERTER TRIM

SKU: 953921

Code: SHDR9005, SHDR9005, SH6103



FEATURES

Material: Metal
Width: 3-15/16"
Mounting Hardware Included: Yes
Shape: Round
Handle Type: Lever
Installation Type: Wall Mount
Handle Length: 3-9/16"
Body Sprays: No
Shower Arm Included: No
Valve Trim Diameter: 4-5/16"
Diverter Included: Yes

ASME A112.18.1/CSA B125.1

ICC/ANSI A117.1

Massachusetts Accepted



REVISED 7/14/2023

DREA IN-WALL SHOWER DIVERTER TRIM

SKU: 953921

Code: SHDR9005, SHDR9005, SH6103

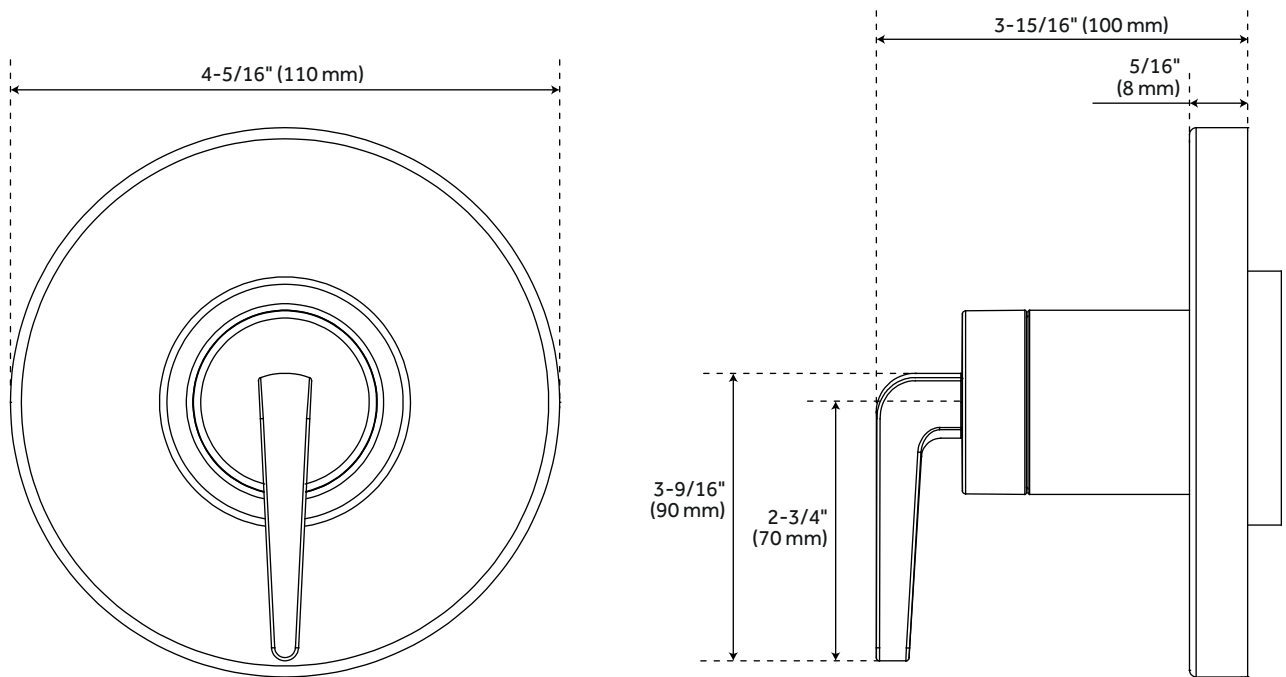


ADDITIONAL FEATURES

- Metal construction for ultimate strength and durability.
- Not intended as a shut off valve.
- Six total settings allow for shared water flow between outlets, giving you the ability to use two functions at once.
- Wall thickness range: 1" - 1-3/4".
- Available Single-Function Diverter Valve Cartridge restricts water flow to one outlet at a time.
- Optional Rough-in Valve:
 - Brass valve body.
 - Ceramic cartridge.
 - Recommended valve installation depth 1-5/8" to 2-3/8".
 - Must be installed in accordance with provided installation instructions

REVISED 7/14/2023

DREA IN-WALL SHOWER DIVERTER TRIM



All dimensions and specifications are nominal and may vary. Use actual products for accuracy in critical situations.