

# DREA PRESSURE BALANCE TUB AND SHOWER SYSTEM

SKU: 953927

Code: SHDR8010, SH4001, SHRSA122, SHRSB820RG, SHTS71



## FEATURES

Shower Head Swivel: Yes  
Connection Type: 1/2" MIP and SWT  
Cartridge Type: Ceramic Disc

ASME A112.18.1/CSA B125.1, ASSE 1016 Type P, WaterSense by IAPMO, Massachusetts Accepted, LISTED ID: SH4001, SHRSB820RG\*, SHRSA122\*, SHDR8010\*, SHTS71\*



## ADDITIONAL FEATURES

- Single function 8" Rain fall shower head.
- Tub spout diverter.
- Slip-fit tub spout.
- Included Rough-in valve:
- Pressure balance valve with integral stops.
- One-piece cartridge design for ease of maintenance.
- Back-to-back capability.
- Ceramic disc valve cartridge.
- Cast bronze valve body.
- Adjustable temperature limit stop.
- Quick remove plaster guard.
- Easy mounting brackets.

REVISED 5/29/2024

# DREA PRESSURE BALANCE SHOWER VALVE TRIM

SKU: 953920

Code: SHDR8010, SHDR8010, SH4001



## FEATURES

Material: Metal

Required for Installation: Rough-in valve: SH4001

ASME A112.18.1/CSA B125.1, ASSE 1016 Type P, Massachusetts Accepted, LISTED ID: SHDR8010\*, SH4001



## ADDITIONAL FEATURES

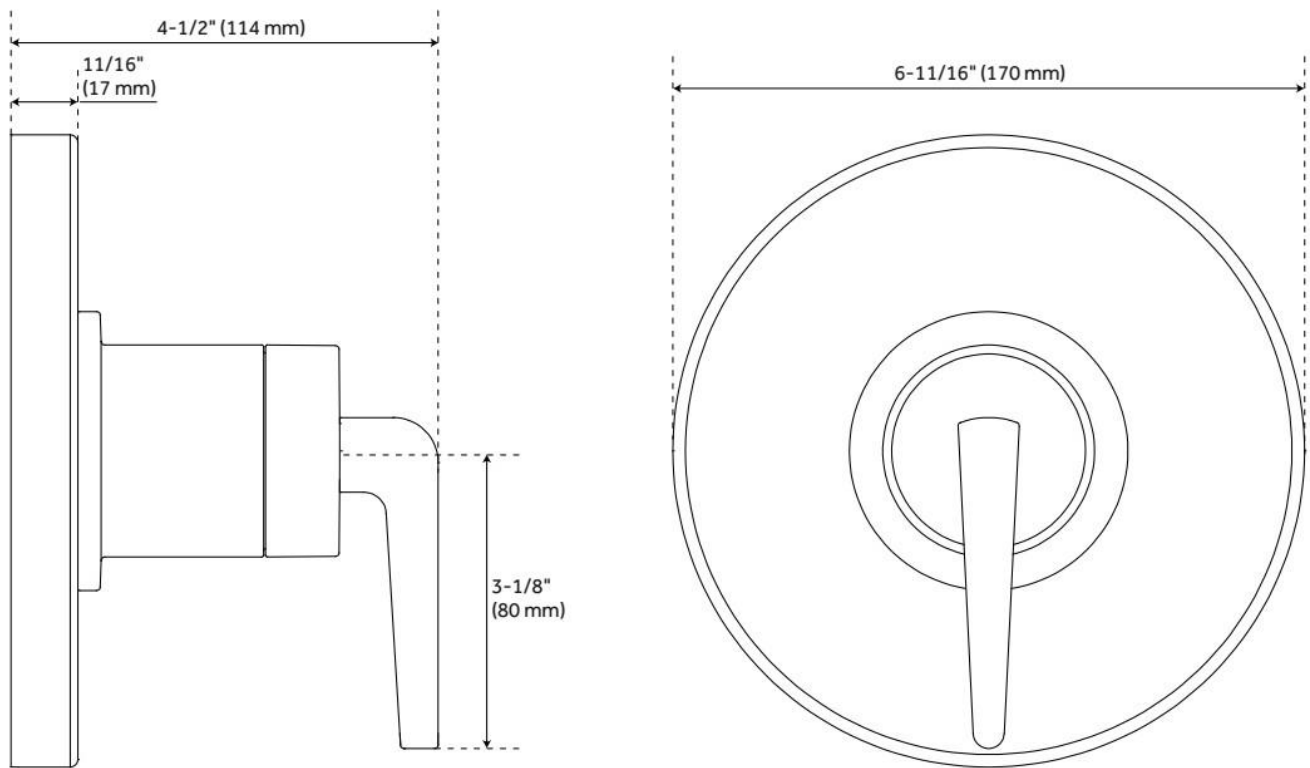
- Metal construction for ultimate strength and durability.
- Optional Rough-in Valve:
  - Pressure balance valve with integral stops.
  - One-piece cartridge design for ease of maintenance.
  - Back-to-back capability.
  - Ceramic disc valve cartridge.
  - Cast bronze valve body.
  - Adjustable temperature limit stop.
  - Quick remove plaster guard.
  - Easy mounting brackets.

REVISED 5/24/2024

# DREA PRESSURE BALANCE SHOWER VALVE TRIM

SKU: 953920

Code: SHDR8010, SHDR8010, SH4001



REVISED 5/24/2024

# 8" MODERN ROUND RAINFALL SHOWER HEAD - 1.8 GPM - CHROME

SKU: 948948-18

Code: SHRSB820RG, SH484203, SH485499, SHRSB820RGPB



## FEATURES

Material: ABS

Shower Head Swivel: Yes

ASME A112.18.1/CSA B125.1, CEC Listed, WaterSense by IAPMO, Massachusetts Accepted, LISTED ID: SHRSB820RG\*

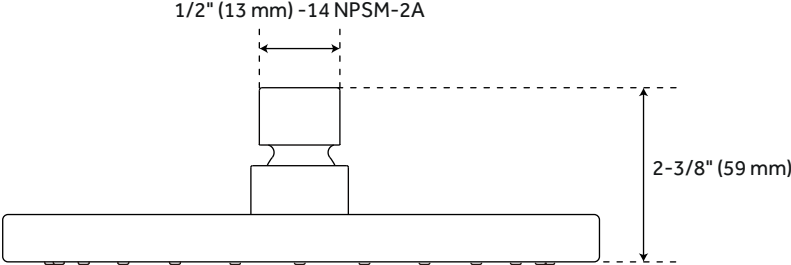
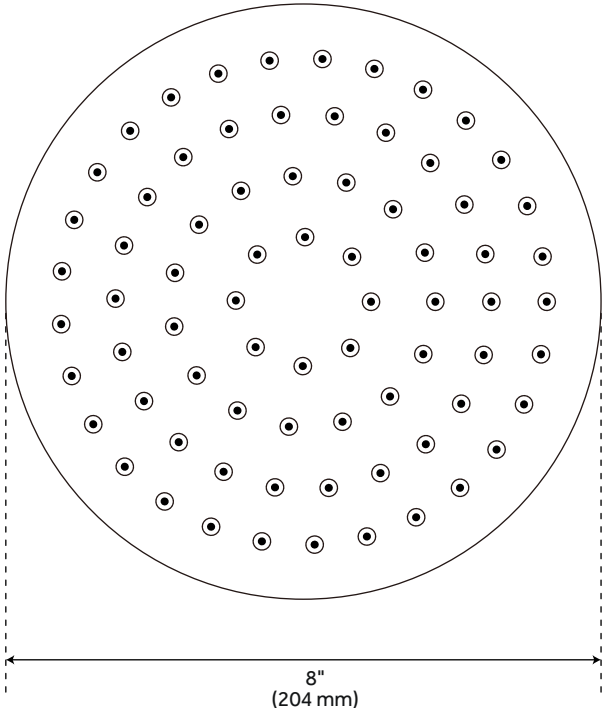


## ADDITIONAL FEATURES

- Single function shower head (full spray).
- Easy clean rubber nozzles.
- Brass ball joint.

REVISED 5/24/2024

# MODERN ROUND RAINFALL SHOWER HEAD - 1.8 GPM



All dimensions and specifications are nominal and may vary. Use actual products for accuracy in critical situations.

# CYLINDRICAL WALL-MOUNT SHOWER ARM

SKU: 953769

Code: SHRSA122, SH484204, SHRSA122PB, SHRSA122PN

## FEATURES

Material: Metal

Connection Type: 1/2" NPT



ASME A112.18.1/CSA B125.1, Massachusetts Accepted, LISTED ID: SHRSA122\*



## ADDITIONAL FEATURES

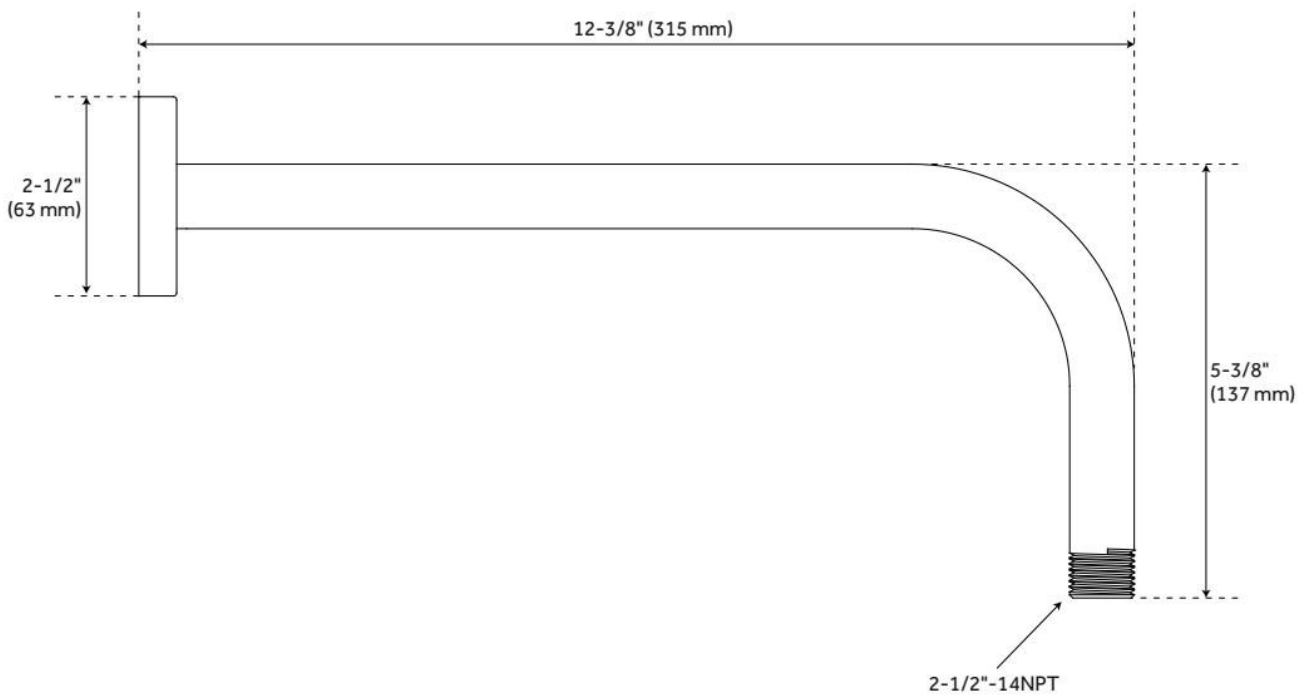
- Escutcheon included.

REVISED 5/24/2024

# CYLINDRICAL WALL-MOUNT SHOWER ARM

SKU: 953769

Code: SHRSA122, SH484204, SHRSA122PB, SHRSA122PN



REVISED 5/24/2024

# DREA TUB SPOUT WITH DIVERTER

SKU: 953919  
Code: SHTS71



## FEATURES

Material: Metal  
Connection Type: 1/2" CTS Slip-Fit

ASME A112.18.1/CSA B125.1, Massachusetts Accepted, LISTED ID: SHTS71\*



## ADDITIONAL FEATURES

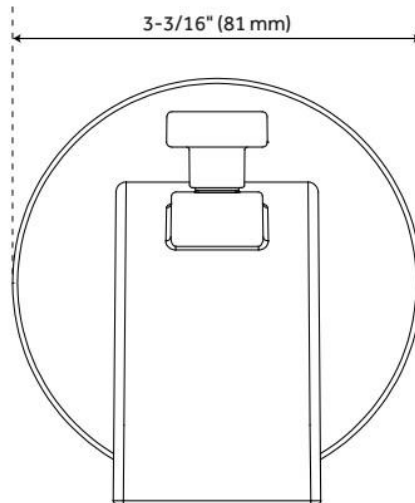
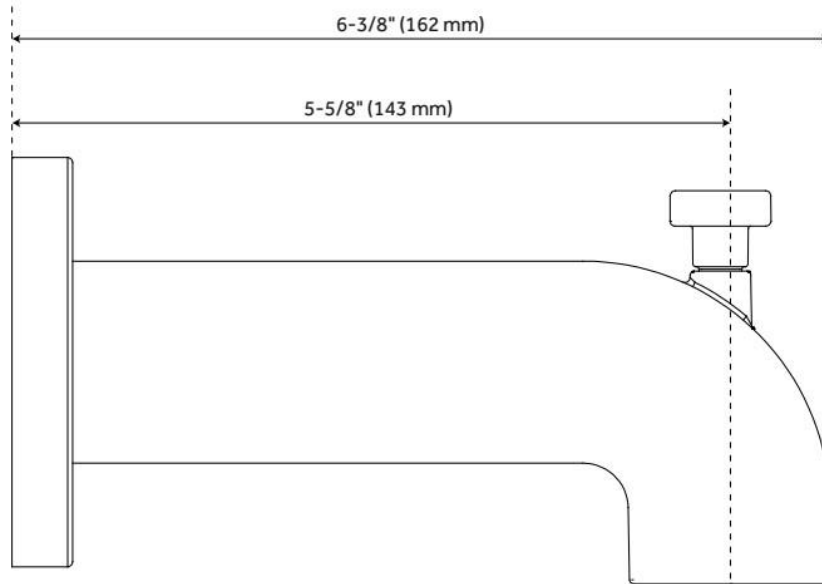
- Metal construction for ultimate strength and durability.
- 1/2" Slip Fit Connection.

REVISED 5/29/2024



# DREA TUB SPOUT WITH DIVERTER

SKU: 953919  
Code: SHTS71



REVISED 5/29/2024

# PRESSURE BALANCE TUB & SHOWER ROUGH-IN VALVE

SKU: 446520  
Code: SH4001



## FEATURES

Material: Bronze  
Flow Rate: 6.34 gpm (24.0 L/min) @ 80 psi  
Connection Type: 1/2" MIP and SWT  
Cartridge Type: Ceramic Disc

IAPMO, ASME A112.18.1/CSA B125.1, ASSE 1016 Type P, Massachusetts Accepted, LISTED ID: SH4001



## ADDITIONAL FEATURES

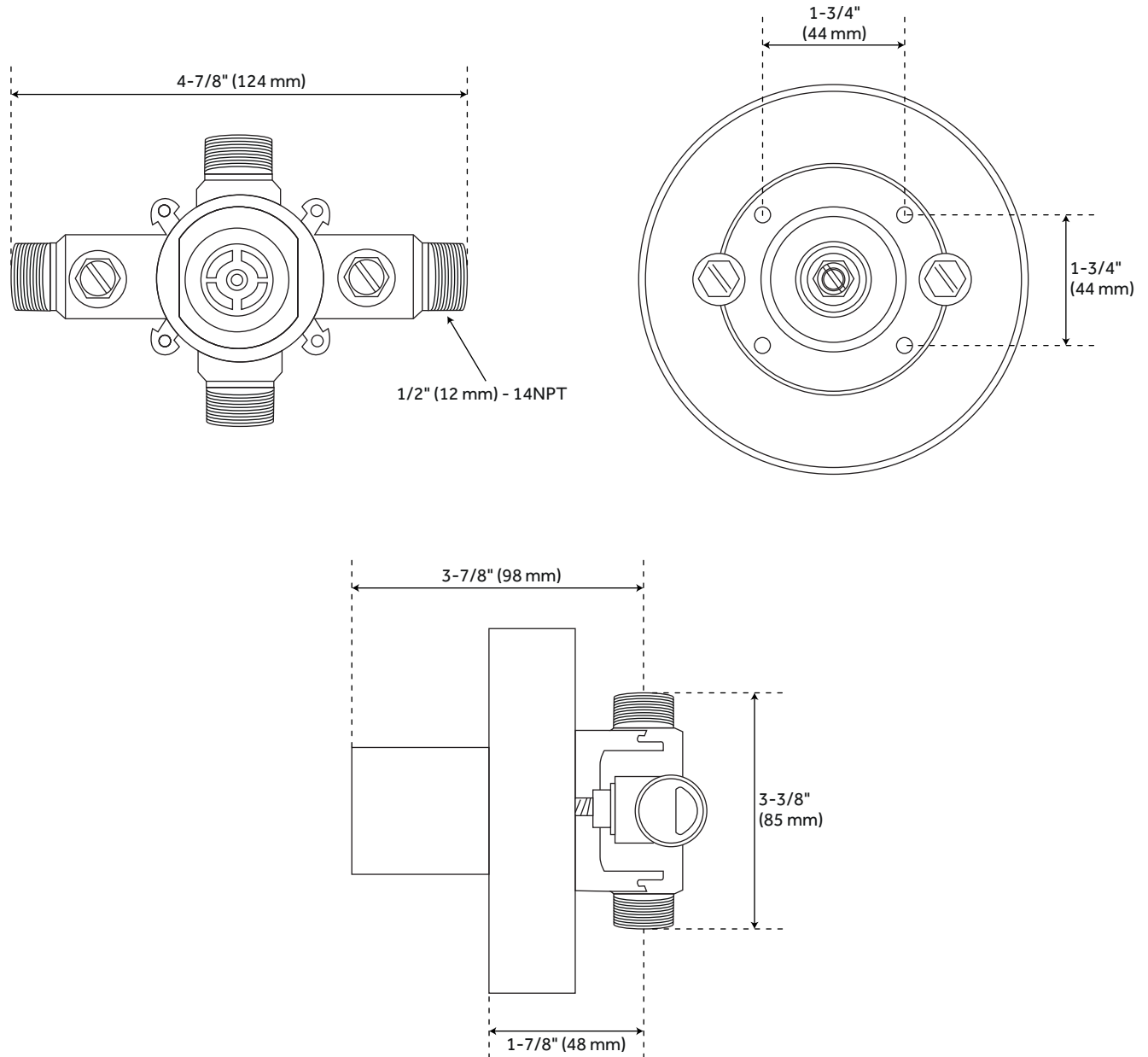
- Compatible with Beasley, Berwyn, Boca Raton, Drea, Edenton, Elita, Greyfield, Gunther, Hibiscus, Key West, Lentz, Lexia, Pendleton, Pinecrest, Provincetown, Rigi, Sefina, Vassor and Vilamonte Pressure Balance Trims.
- Pressure balance valve with integral stops.
- One-piece ceramic cartridge design for ease of maintenance.
- Back-to-back capability
- Cast bronze valve body.
- Adjustable temperature limit stop.
- Quick remove plaster guard and easy mounting brackets.

REVISED 8/14/2024

# PRESSURE BALANCE TUB AND SHOWER ROUGH-IN VALVE

SKU: 446520

SH4001



All dimensions and specifications are nominal and may vary. Use actual products for accuracy in critical situations.