

DREA PRESSURE BALANCE SHOWER SYSTEM WITH SLIDE BAR AND HAND SHOWER

SKU: 953929

Code: SHDR8010, SH4001, SHRSA122, SHRSB820RG, SHHS4030G, SHH1010, SHWE2040, SHSB3040, SHDR9005, SH6103



FEATURES

- Shower Head Swivel: Yes
- Shower Head Spray: Rainfall
- Shower Head Flow Rate: 1.8 gpm (6.8 L/min) @ 80 psi
- Hand Shower Spray: Full
- Hand Shower Flow Rate: 1.75 gpm (6.6 L/min) @ 80 psi
- Connection Type: 1/2" MIP and SWT
- Diverter Outlets: 3
- Cartridge Type: Ceramic Disc

ASME A112.18.1/CSA B125.1, ASME A112.18.2/CSA B125.2, ASSE 1016 Type P, CEC Listed, WaterSense by IAPMO, Massachusetts Accepted, LISTED ID: SH4001, SH6103, SHH1010*, SHHS4030G*, SHRSB820RG*, N/A, SHWE2040*, SHRSA122*, SHDR8010*, SHDR9005*

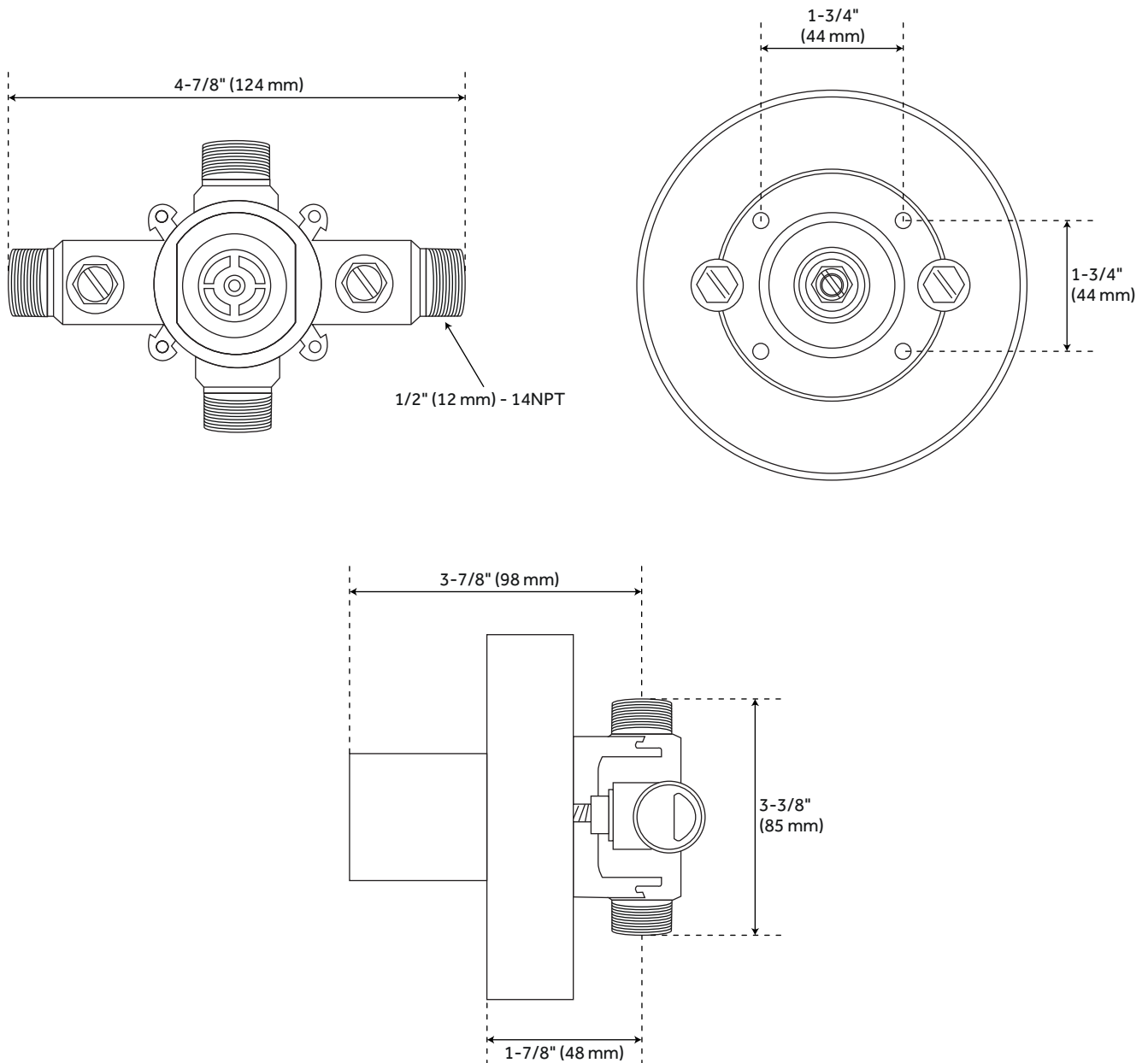


ADDITIONAL FEATURES

- Metal cross handles.
- Single function 8" Rainfall shower head.
- Hand shower with easy-clean spray nozzles.
- 60" - 72" stretchable metal shower hose.
- Included Rough-in valves:
 - Pressure balance valve features a one-piece cartridge design for ease of maintenance, back-to-back capability, a ceramic disc cartridge, cast bronze valve body, adjustable temperature limit stop, a quick remove plaster guard, easy mounting brackets and integral stops.
 - Diverter valve features a ceramic disc cartridge and brass valve body. Single-Function CALGreen Diverter Valve Cartridge that restricts water flow to one outlet at a time available. (SH6150)

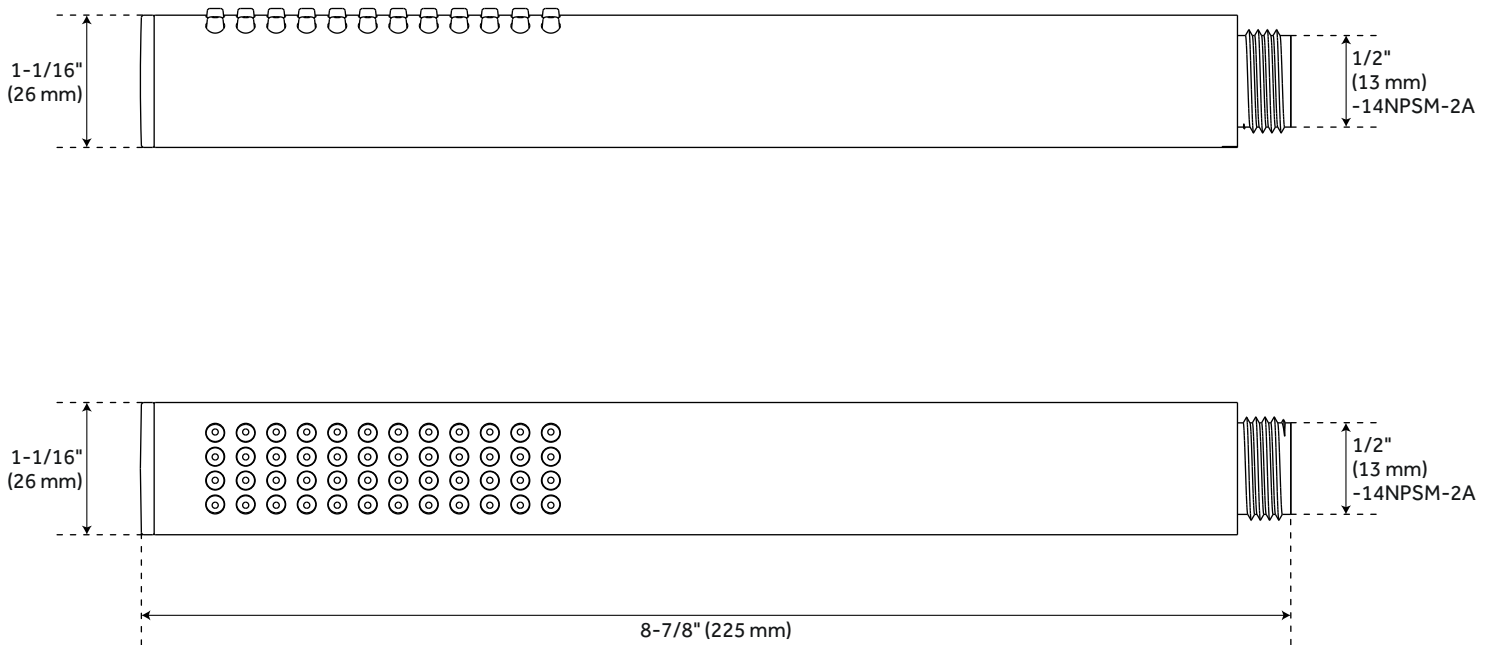
REVISED 9/16/2024

DREA PRESSURE BALANCE TUB AND SHOWER ROUGH-IN VALVE



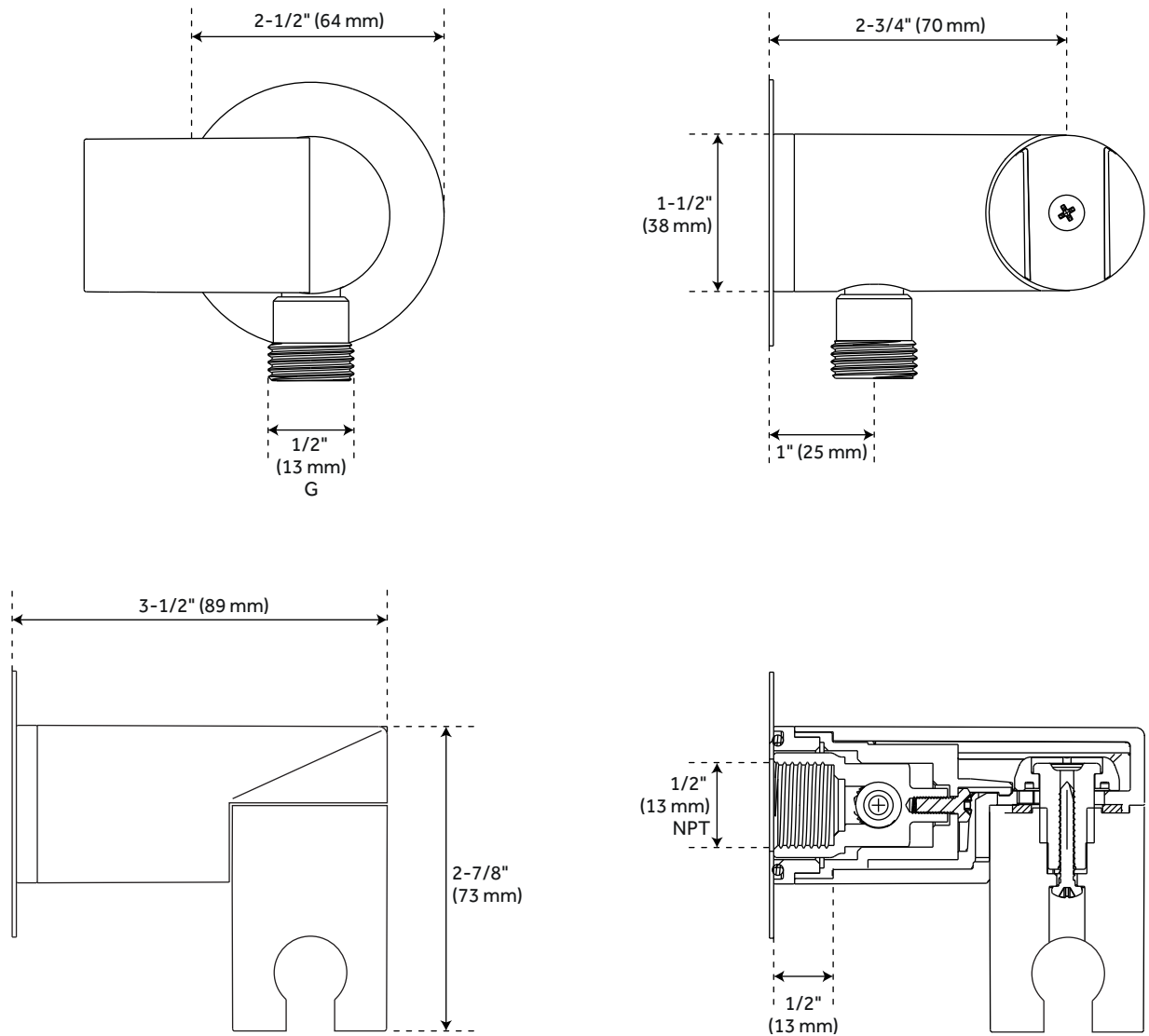
All dimensions and specifications are nominal and may vary. Use actual products for accuracy in critical situations.

DREA CONTEMPORARY TUBULAR HAND SHOWER



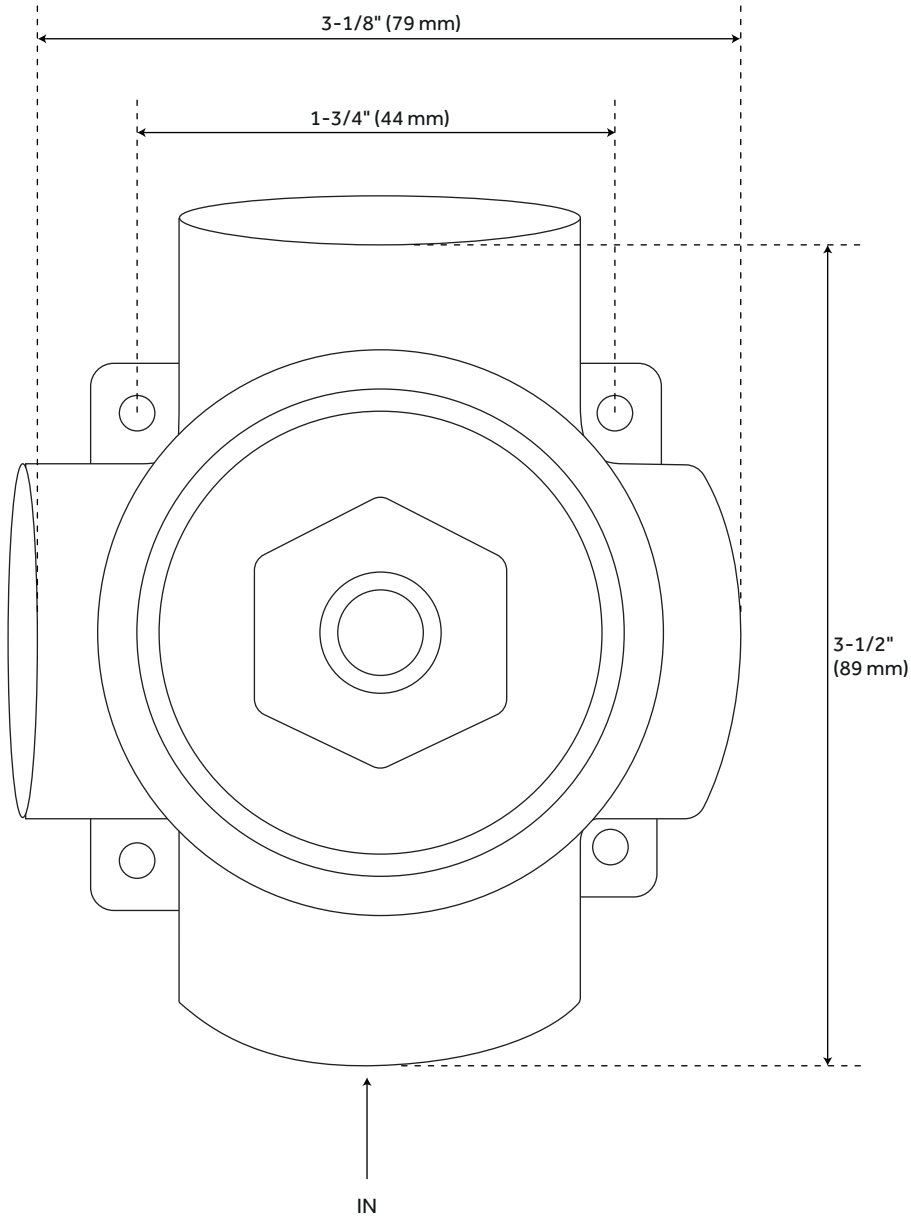
All dimensions and specifications are nominal and may vary. Use actual products for accuracy in critical situations.

SWIVEL WATER SUPPLY ELBOW AND BRACKET FOR HAND SHOWER



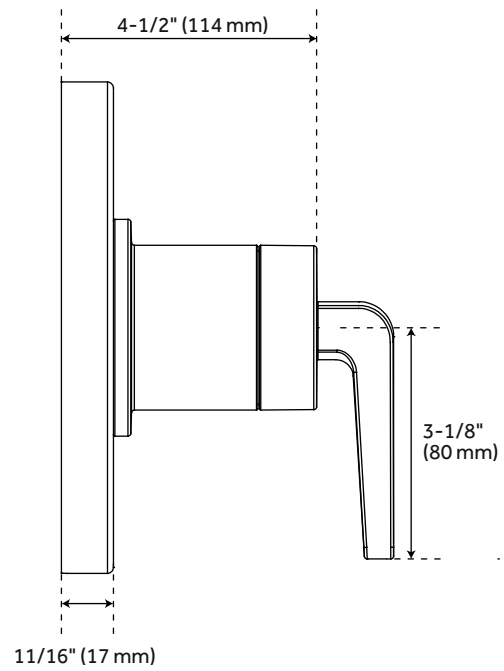
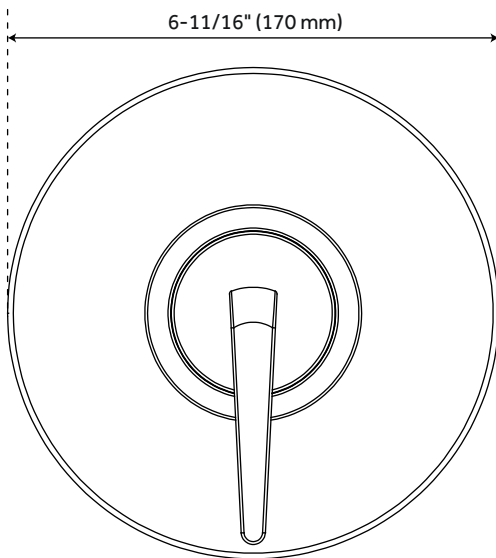
All dimensions and specifications are nominal and may vary. Use actual products for accuracy in critical situations.

DREA PRESSURE BALANCE TUB AND SHOWER ROUGH-IN VALVE



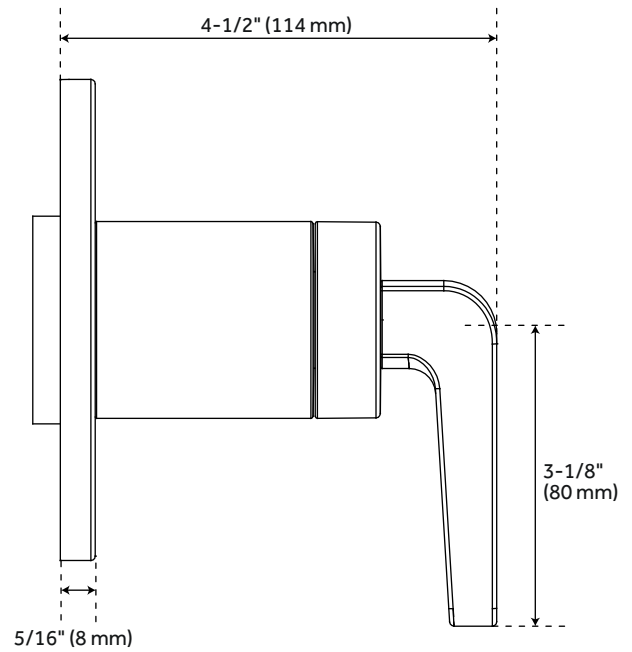
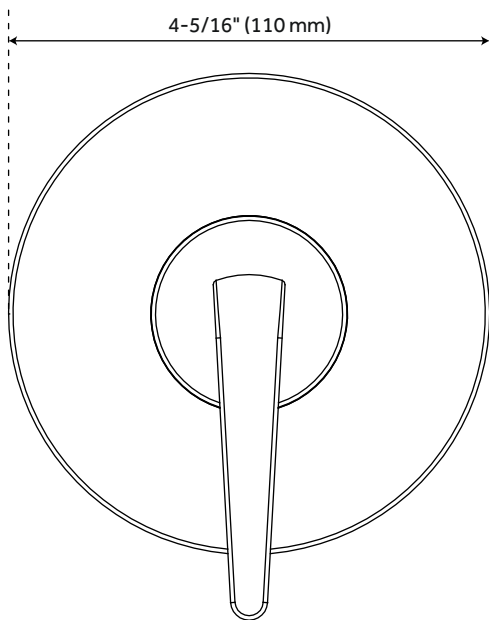
All dimensions and specifications are nominal and may vary. Use actual products for accuracy in critical situations.

DREA PRESSURE BALANCE SHOWER SET



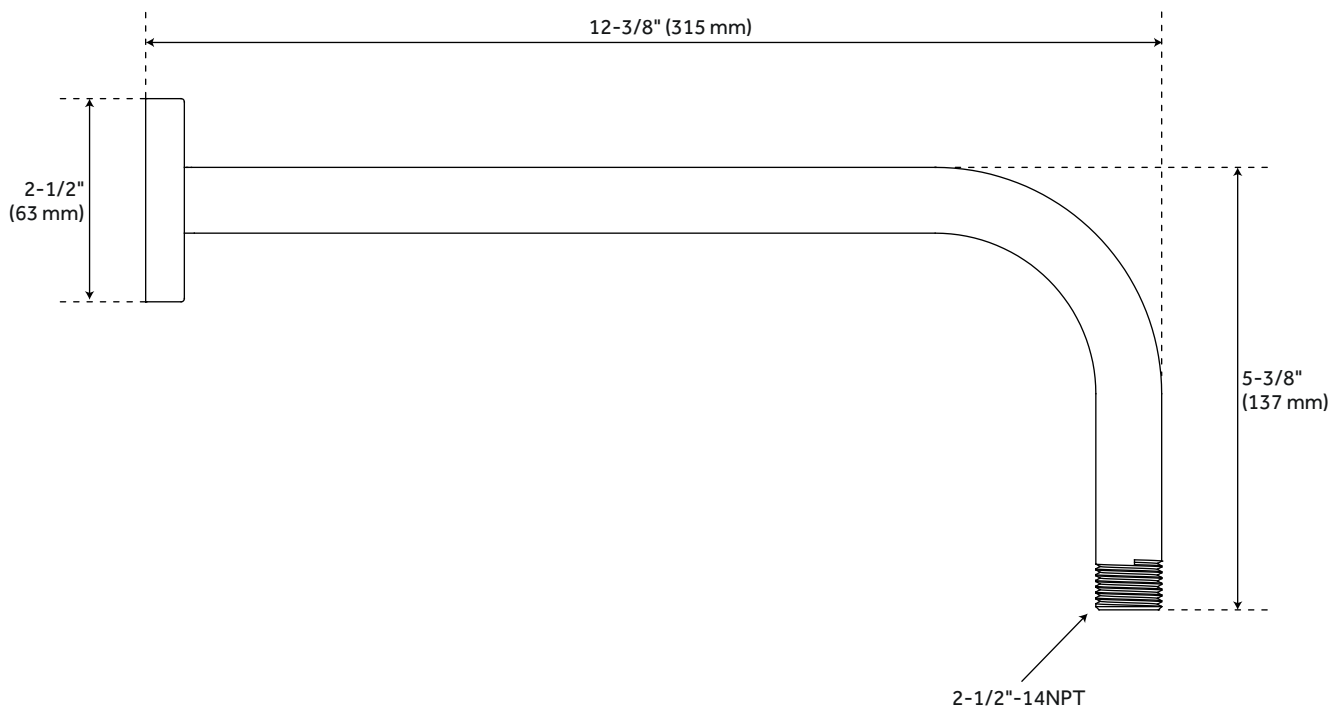
All dimensions and specifications are nominal and may vary. Use actual products for accuracy in critical situations.

DREA IN-WALL SHOWER DIVERTER TRIM



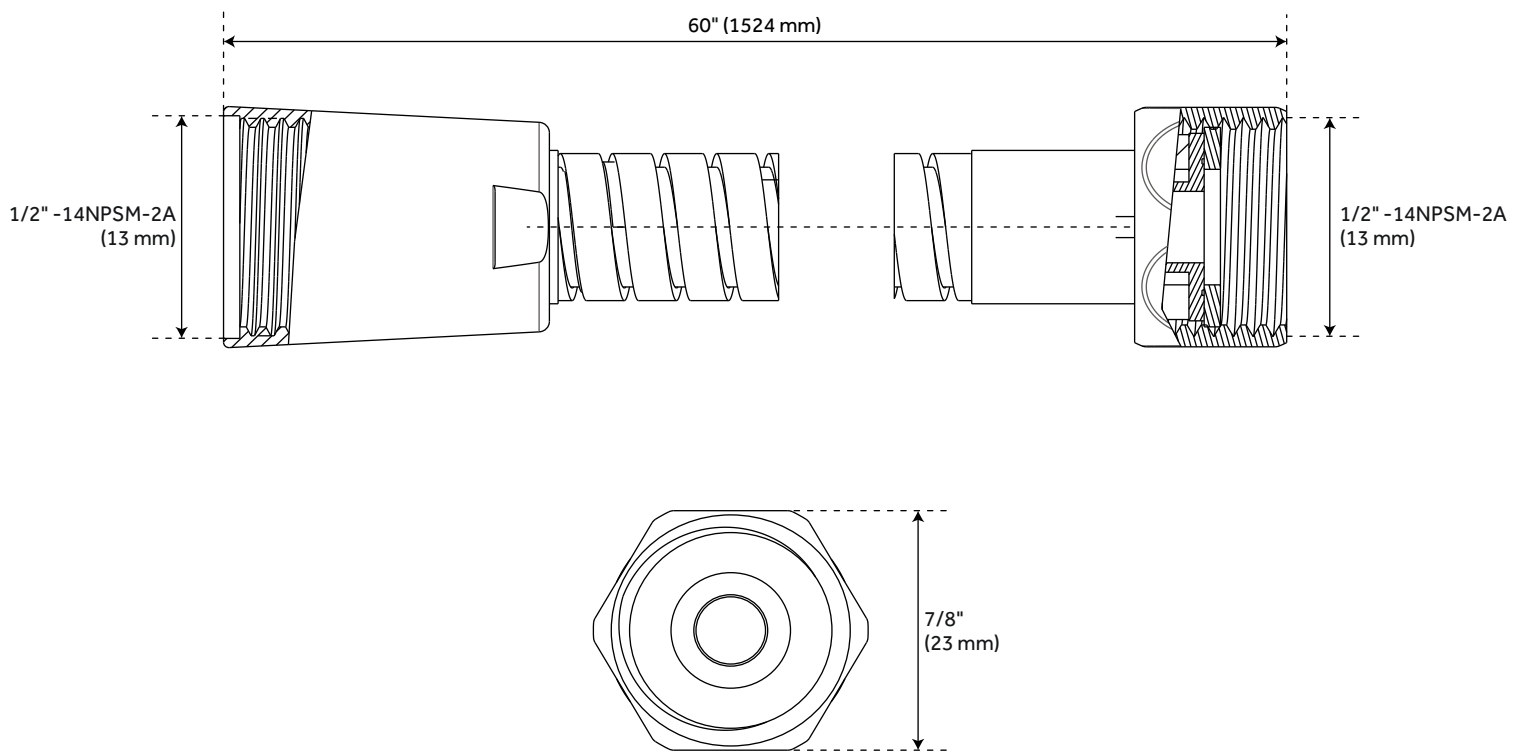
All dimensions and specifications are nominal and may vary. Use actual products for accuracy in critical situations.

DREA WALL-MOUNT SHOWER ARM



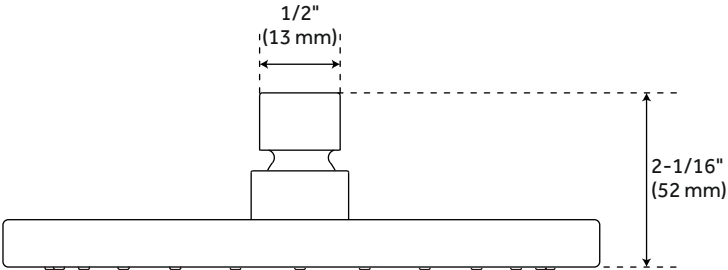
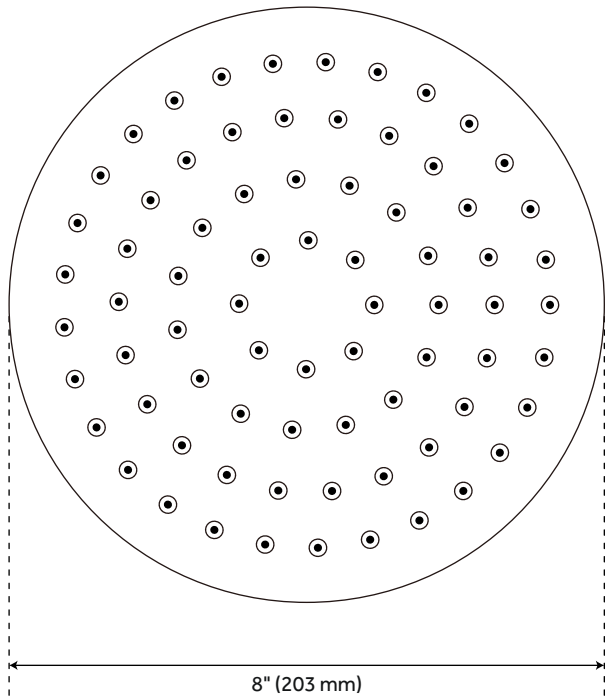
All dimensions and specifications are nominal and may vary. Use actual products for accuracy in critical situations.

DREA WALL-MOUNT SHOWER ARM



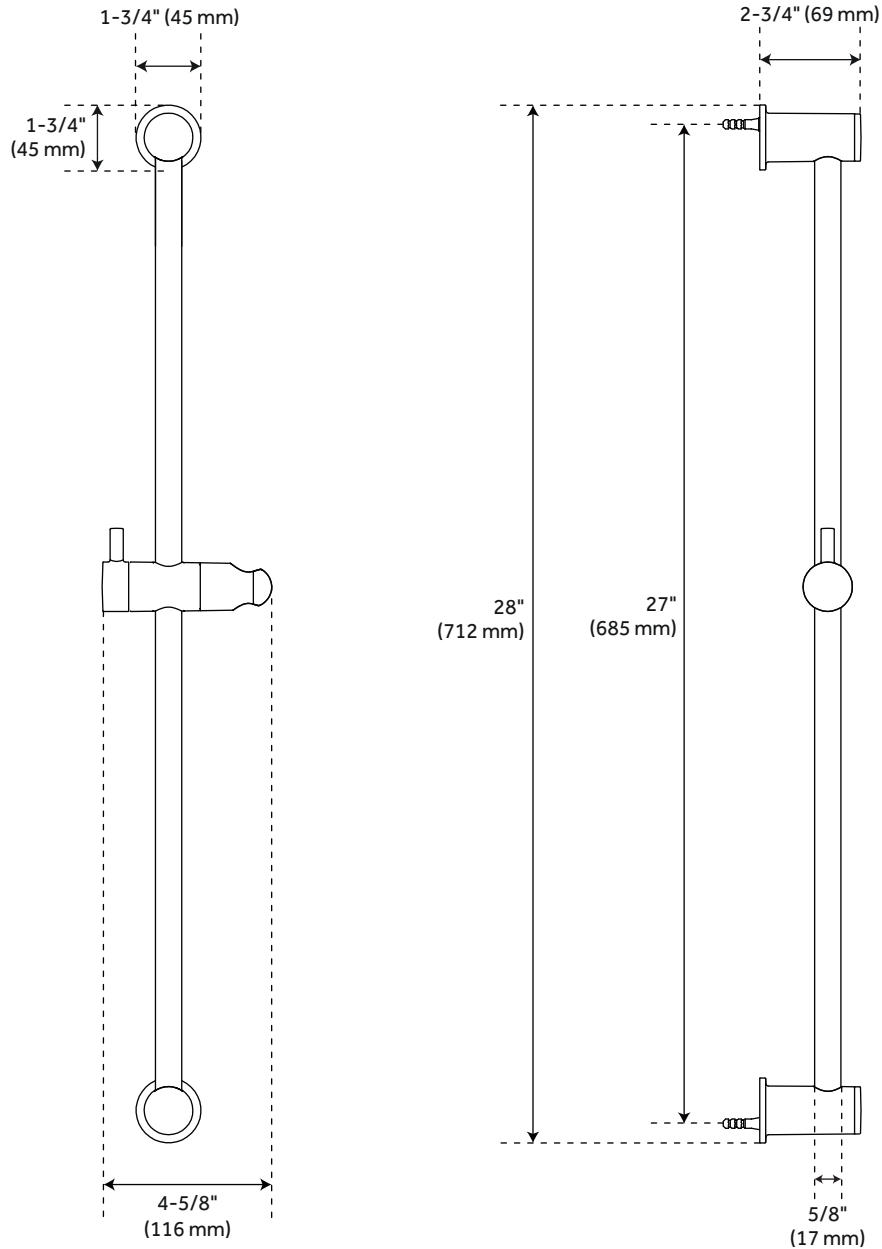
All dimensions and specifications are nominal and may vary. Use actual products for accuracy in critical situations.

DREA MODERN ROUND RAINFALL SHOWER HEAD - 1.8 GPM



All dimensions and specifications are nominal and may vary. Use actual products for accuracy in critical situations.

CONTEMPORARY SLIDE BAR



All dimensions and specifications are nominal and may vary. Use actual products for accuracy in critical situations.