

# PENDLETON PRESSURE BALANCE SHOWER SYSTEM WITH HAND SHOWER

SKU: 953934

Code: SH4001,SH6103,SHH1010,SHHS4010G,SHPT8020G,SHPT9005,SHWES2050



## FEATURES

Material: Metal

Shower Head Swivel: Yes

Shower Head Spray: Full

Shower Head Flow Rate: 1.8 gpm (6.8 L/min) @ 80 psi

Hand Shower Spray: Full, Massage, Aerated, Massage + Full, Full + Aerated

Hand Shower Flow Rate: 1.8 gpm (6.8 L/min) @ 80 psi

Connection Type: 1/2" MIP and SWT

Cartridge Type: Ceramic Disc

ASME A112.18.1/CSA B125.1, ASME A112.18.2/CSA B125.2, ASSE 1016 Type P, CEC Listed, WaterSense by IAPMO, Massachusetts Accepted, LISTED ID: SH4001, SH6103, SHH1010\*, SHHS4010G\*, SHPT8020G\*, SHPT9005\*, SHWES2050xy



REVISED 10/21/2024

# PENDLETON PRESSURE BALANCE SHOWER SYSTEM WITH HAND SHOWER

SKU: 953934

Code: SH4001,SH6103,SHH1010,SHHS4010G,SHPT8020G,SHPT9005,SHWES2050

## ADDITIONAL FEATURES

### Pressure Balance Tub & Shower Rough-In Valve:

- Pressure balance valve with integral stops.
- One-piece cartridge design for ease of maintenance.
- Back-to-back capability.
- Cast bronze valve body.
- Adjustable temperature limit stop.

### 3-Way In-Wall Diverter Rough-In Valve - 3/4":

- Six total settings allow for shared water flow between outlets, giving you the ability to use two functions at once.
- For installations only requiring 2 outlets, the 3rd outlet may be looped into one of the existing pipes.

### Swivel Water Supply Elbow and Bracket for Hand Shower:

- 1/2" Female wall connection.
- 1/2" Male hose connection.
- Brass inlet/outlet, ABS body.

### 60" Stretchable Metal Hand Shower Hose:

- Double spiral construction.

### Traditional Multifunction Hand Shower:

- 5 function handshower (full spray, massage spray, aerated spray full & massage spray and full & aerated).
- Factory installed backflow prevention check valve.

### Pendleton In-Wall Shower Diverter Trim:

- Diverter Outlets: 3.

### Pendleton Pressure Balance Shower Set Trim:

- Handle Type: Lever.
- Shower Head is single function.

REVISED 10/21/2024

# PENDLETON PRESSURE BALANCE SHOWER SET

SKU: 948663

Code: SHPT8020G, SH4001



## FEATURES

Material: Brass

Shower Head Swivel: Yes

Connection Type: 1/2" MIP and SWT

Cartridge Type: Ceramic Disc

ASME A112.18.1/CSA B125.1, ASSE 1016 Type P, CEC Listed, WaterSense by IAPMO, Massachusetts Accepted, LISTED ID: SHPT8020G\*, SH4001



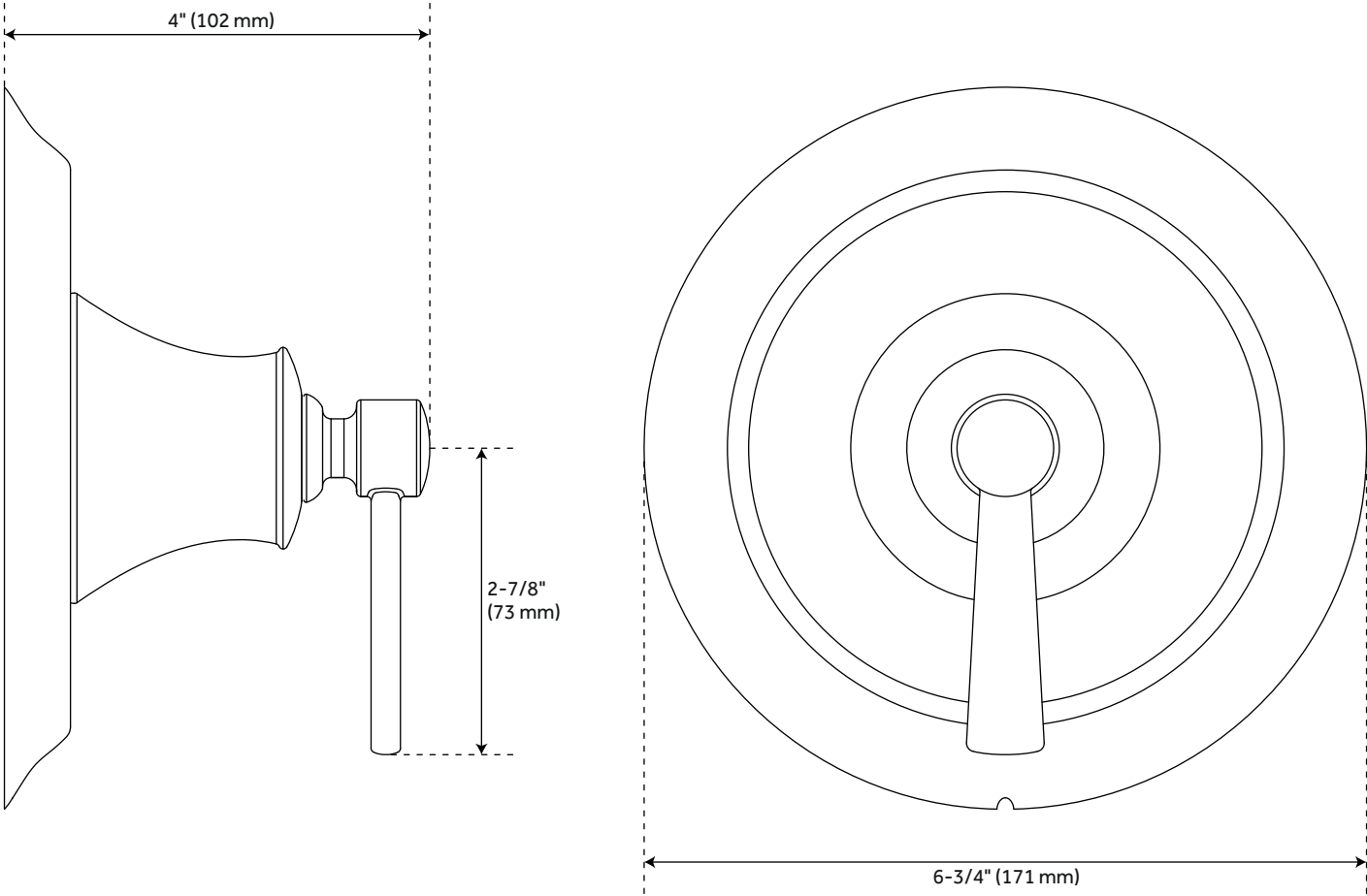
## ADDITIONAL FEATURES

- Metal handle.
- Optional Rough-in Valve:
  - Pressure balance valve with integral stops.
  - One-piece cartridge design for ease of maintenance.
  - Back-to-back capability.
  - Ceramic disc valve cartridge.
  - Cast bronze valve body.
  - Adjustable temperature limit stop.
  - Quick remove plaster guard.
  - Easy mounting brackets.

REVISED 5/30/2024

# PENDLETON PRESSURE BALANCE SHOWER VALVE

SKU: 948672  
SHPT8030G

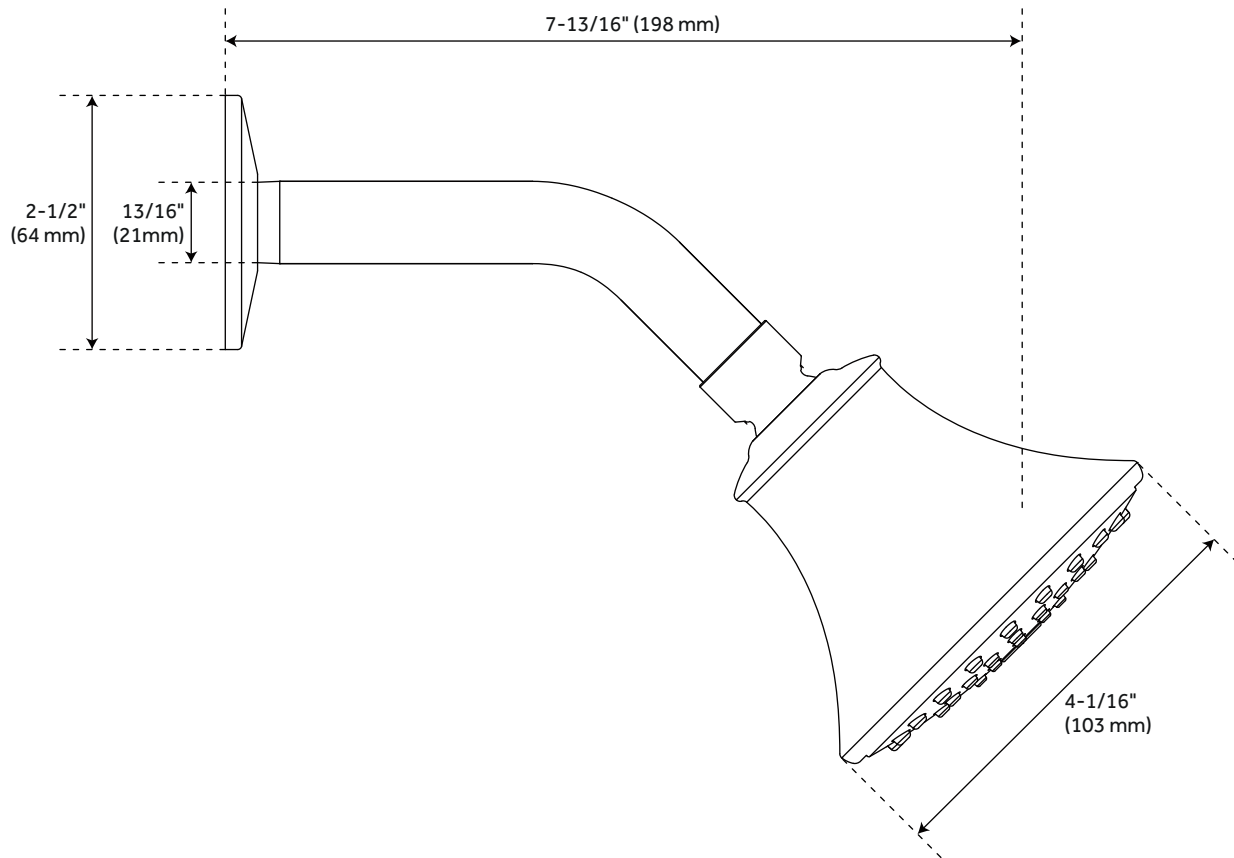


All dimensions and specifications are nominal and may vary. Use actual products for accuracy in critical situations.

# PENDLETON WALL-MOUNT SHOWER HEAD

SKU: 948672

SHPT8030G



All dimensions and specifications are nominal and may vary. Use actual products for accuracy in critical situations.

# PENDLETON IN-WALL SHOWER DIVERTER

SKU: 948904

Code: SHPT9005, SH6103



## FEATURES

Material: Brass

ASME A112.18.1/CSA B125.1, ASME A112.18.2/CSA B125.2, ICC/ANSI A117.1, Massachusetts Accepted, LISTED ID: SHPT9005\*, SH6103



## ADDITIONAL FEATURES

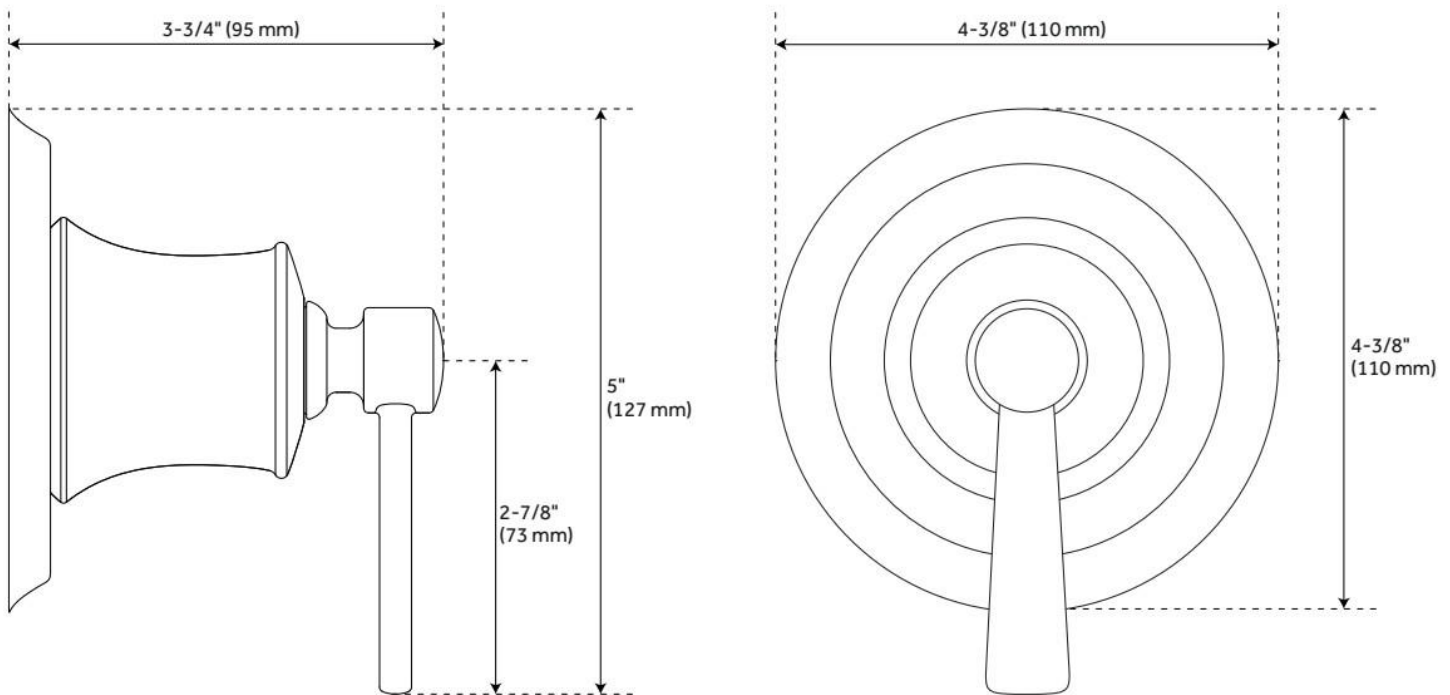
- Metal Lever Handle.
- Not intended as a shut off valve.
- Six total settings allow for shared water flow between outlets, giving you the ability to use two functions at once.
- Optional Rough-in Valve:
  - Available Single-Function Diverter Valve Cartridge restricts water flow to one outlet at a time.
  - Brass valve body.
  - Ceramic cartridge.
  - Must be installed in accordance with provided installation instructions.

REVISED 5/30/2024

# PENDLETON IN-WALL SHOWER DIVERTER

SKU: 948904

Code: SHPT9005, SH6103



REVISED 5/30/2024

# TRADITIONAL MULTIFUNCTION HAND SHOWER

SKU: 948921  
Code: SHHS4010G

## FEATURES

Material: ABS  
Hand Shower Spray: Full  
Hand Shower Flow Rate: 1.8 gpm (6.8 L/min) @ 80 psi



ASME A112.18.1/CSA B125.1, WaterSense by IAPMO, LISTED ID: SHHS4010G\*



## ADDITIONAL FEATURES

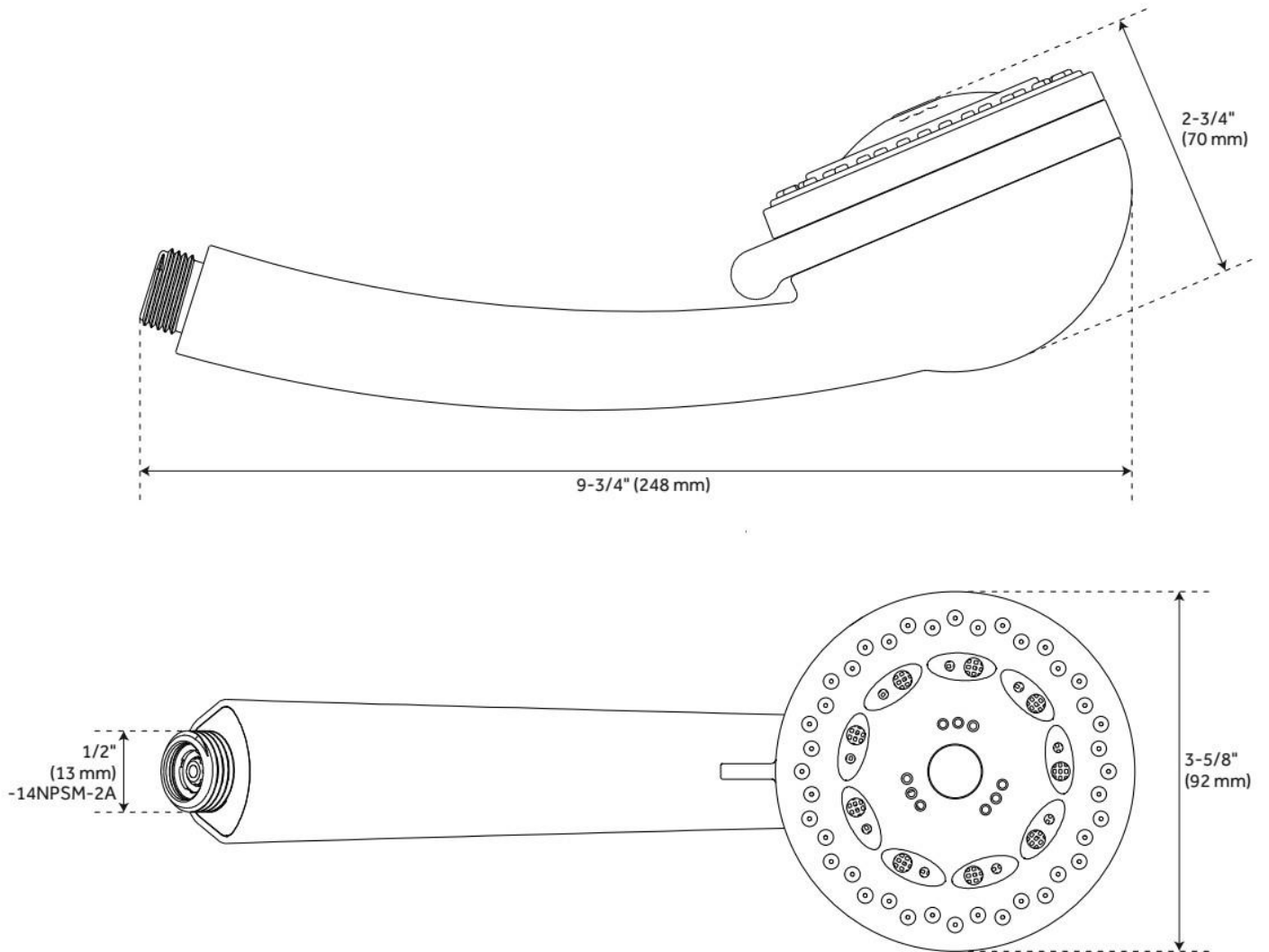
- 5 function handshower (full spray, massage spray, aerated spray full & massage spray and full & aerated).
- Easy-clean spray nozzles.
- 3.6" spray face.
- Factory installed backflow prevention check valve.
- Hose sold separately.

REVISED 5/30/2024



# TRADITIONAL MULTIFUNCTION HAND SHOWER

SKU: 948921  
Code: SHHS4010G



REVISED 5/30/2024

# SWIVEL WATER SUPPLY ELBOW AND BRACKET FOR HAND SHOWER

SKU: 948936

Code: SHWES2050, SH485446, SH485535

## FEATURES

Material: Metal, ABS

Connection Type: 1/2" NPT



ASME A112.18.1/CSA B125.1, LISTED ID: SHWES2050xy



## ADDITIONAL FEATURES

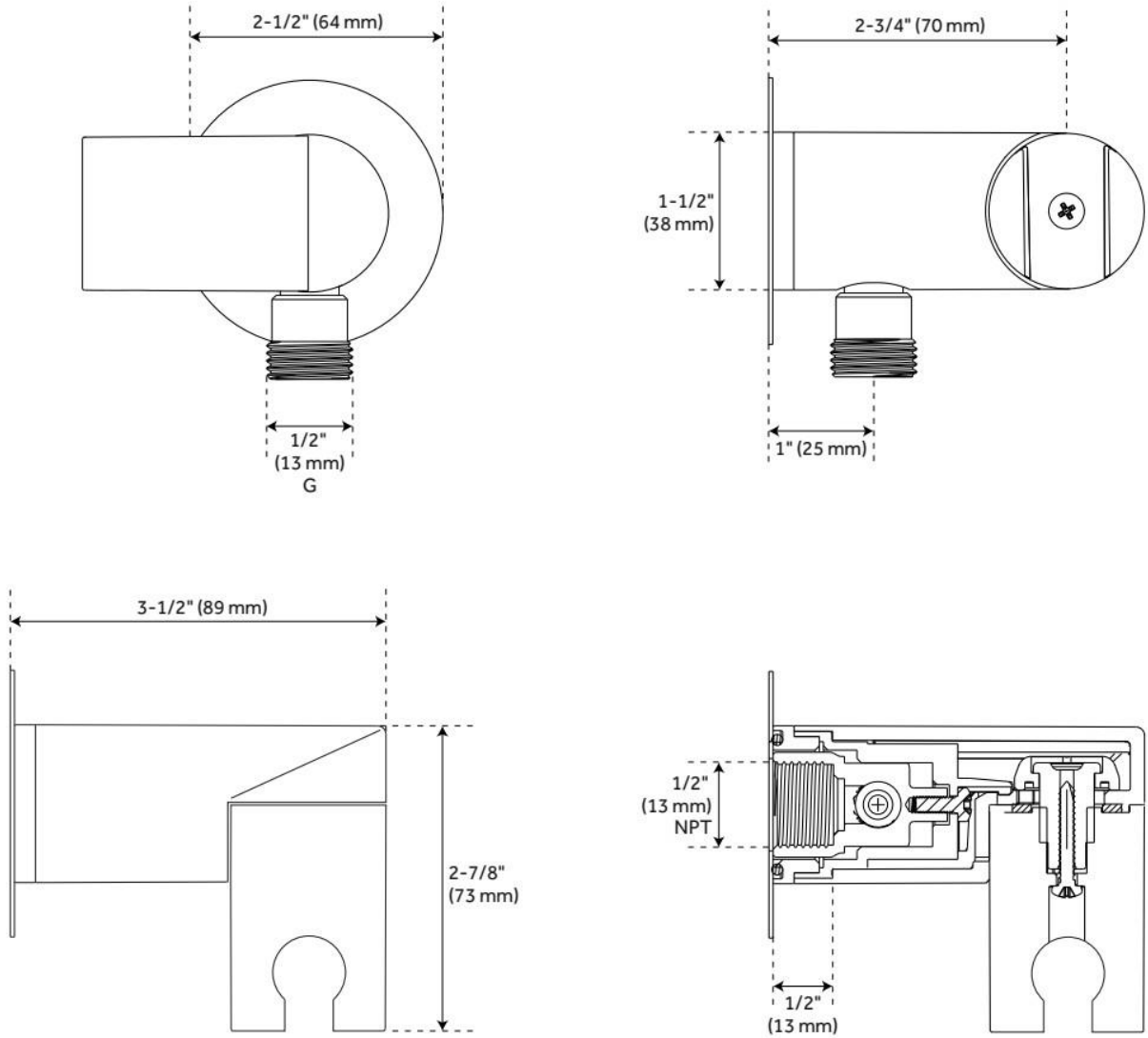
- 1/2" Female wall connection.
- 1/2" Male hose connection.
- Brass inlet/outlet, ABS body.

REVISED 5/30/2024

# SWIVEL WATER SUPPLY ELBOW AND BRACKET FOR HAND SHOWER

SKU: 948936

Code: SHWES2050, SH485446, SH485535



REVISED 5/30/2024

# 60" METAL HAND SHOWER HOSE

SKU: 948088  
Code: SHH1010

## FEATURES

Connection Type: 1/2" IPS



ASME A112.18.1/CSA B125.1, Massachusetts Accepted, LISTED ID: SHH1010\*



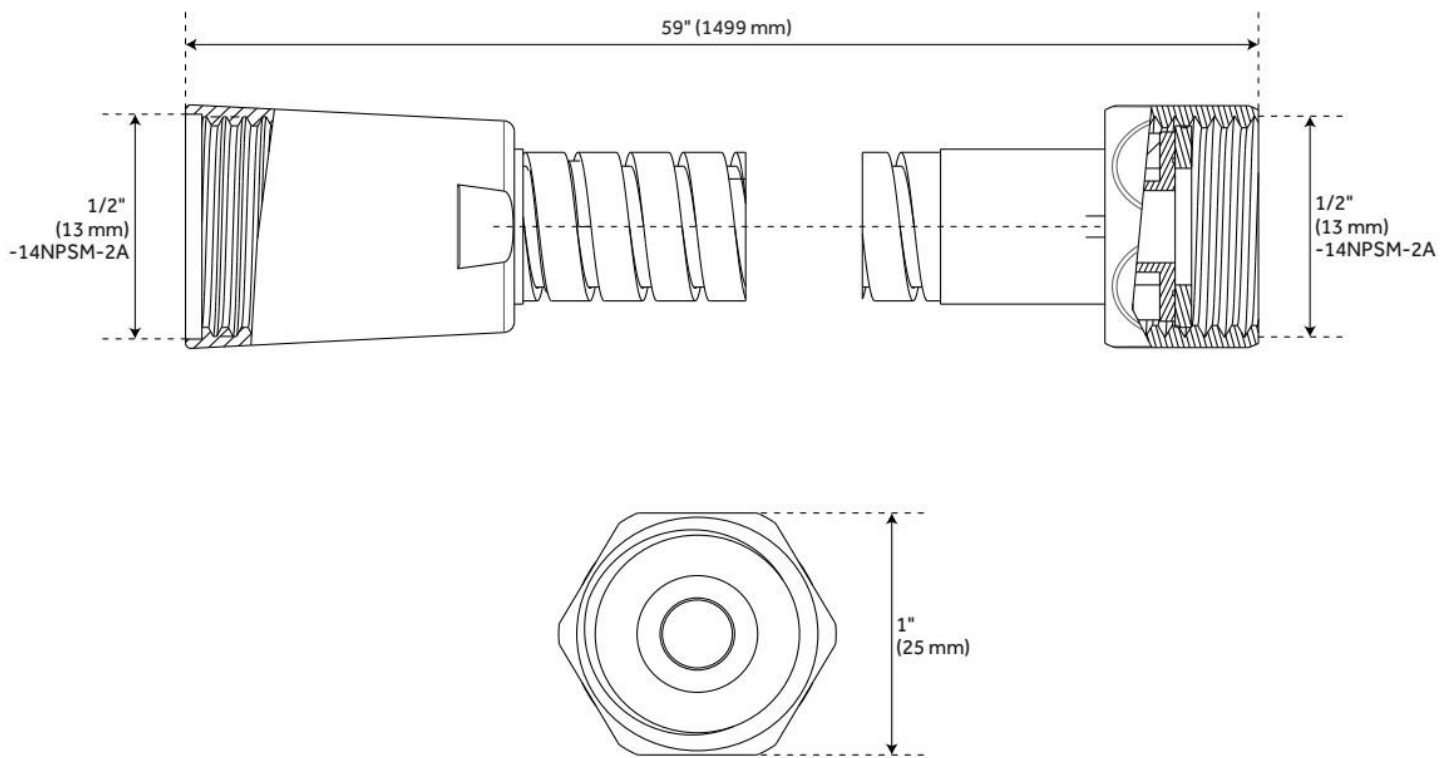
## ADDITIONAL FEATURES

- Hand Sprayer sold separately.
- 60" - 72" stretchable metal shower hose.
- Double spiral constructed hose.

REVISED 5/24/2024

# 60" METAL HAND SHOWER HOSE

SKU: 948088  
Code: SHH1010



REVISED 5/24/2024

# 3-WAY IN-WALL DIVERTER ROUGH-IN VALVE - 3/4"

SKU: 446519  
Code: SH6103

## FEATURES

Material: Brass  
Cartridge Type: Ceramic Disc



IAPMO, ASME A112.18.1/CSA B125.1, ASME A112.18.2/CSA B125.2, Massachusetts Accepted, LISTED ID: SH6103



## ADDITIONAL FEATURES

- Six total settings allow for shared water flow between outlets, giving you the ability to use two functions at once.
- Ceramic cartridge.
- Available Single-Function Diverter Valve Cartridge restricts water flow to one outlet at a time.
- Not intended as a shut off valve.
- For installations only requiring 2 outlets, the 3rd outlet may be looped into one of the existing pipes.
- Compatible with Beasley, Berwyn, Boca Raton, Drea, Edenton, Elita, Greyfield, Gunther, Hibiscus, Key West, Lentz, Lexia, Pendleton, Pinecrest, Provincetown, Rigi, Sefina, Vassor and Vilamonte Diverter Trims.

REVISED 10/14/2024



# PRESSURE BALANCE TUB & SHOWER ROUGH-IN VALVE

SKU: 446520  
Code: SH4001



## FEATURES

Material: Brass  
Flow Rate: 6.34 gpm (24.0 L/min) @ 80 psi  
Connection Type: 1/2" MIP and SWT  
Cartridge Type: Ceramic Disc

IAPMO, ASME A112.18.1/CSA B125.1, ASSE 1016 Type P, Massachusetts Accepted, LISTED ID: SH4001



## ADDITIONAL FEATURES

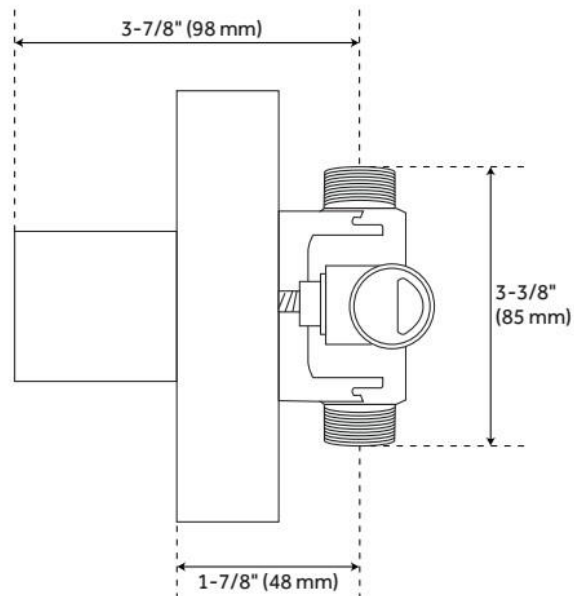
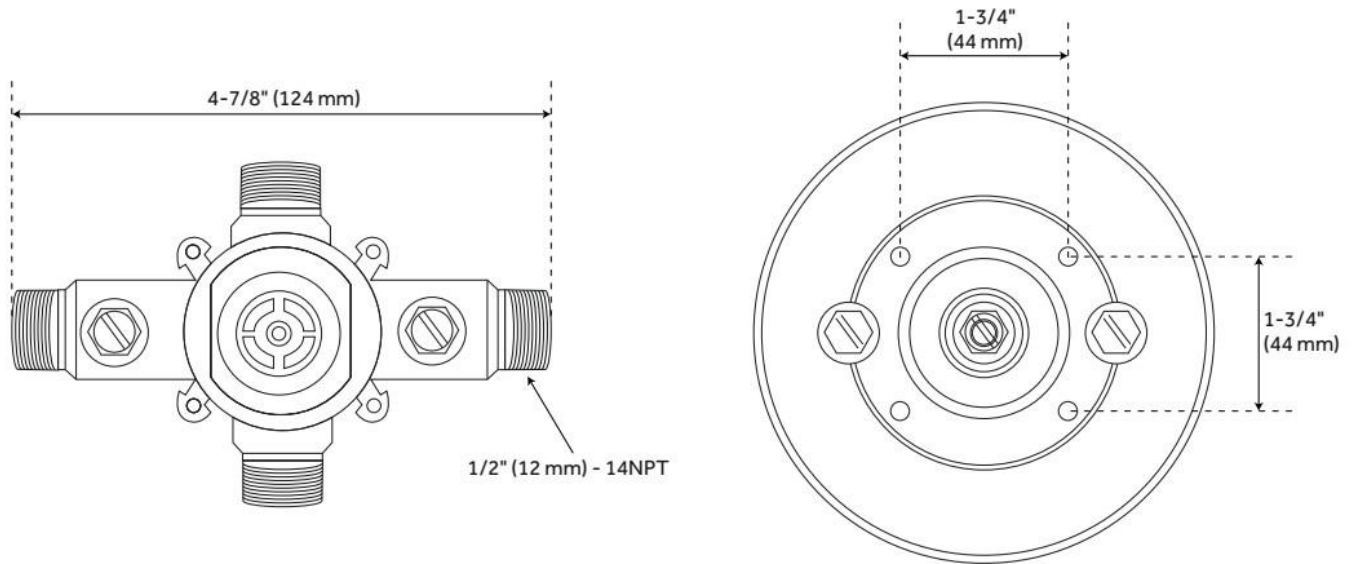
- Pressure balance valve with integral stops.
- One-piece ceramic cartridge design for ease of maintenance.
- Back-to-back capability
- Adjustable temperature limit stop.
- Quick remove plaster guard and easy mounting brackets.

REVISED 11/27/2024



# PRESSURE BALANCE TUB & SHOWER ROUGH-IN VALVE

SKU: 446520  
Code: SH4001



REVISED 11/27/2024