

VILAMONTE PRESSURE BALANCE SHOWER SYSTEM WITH HAND SHOWER

SKU: 953936

Code: SH4001,SH6103,SHH1010Z,SHVL8020GZ,SHVL9005Z,SHHS4080GZ,SHWES2050Z



FEATURES

Installation Type: Residential
Features: Pressure-Balanced
Design: Modern
Material: Metal
Mounting Hardware Included: Yes
Assembly Required: Yes
Handle Type: Lever
Body Sprays: No
Shower Head Installation Type: Wall
Number of Shower Heads: 1
Shower Head Diameter: 6"
Shower Head Material: ABS
Shower Head Spray: Single Function
Shower Arm Included: Yes
Shower Arm Extension: 6-7/8"
Shower Head IPS: 1/2"
Shower Head Swivel: Yes
Valve Trim Diameter: 6-11/16"
Hand Shower Hose Length: 60"
Hand Shower Material: ABS
Hand Shower Flow Rate: 1.8 gpm (6.8L/min) max @ 80 psi
Diverter Included: Yes
Shower Head Flow Rate: 1.8 gpm (6.8 L/min) @ 80 psi
Ceramic Disc Cartridges: Yes
Weight: 13.41

ASME A112.18.1/CSA B125.1

ASSE 1016 Type P

CEC Listed

WaterSense by IAPMO

Massachusetts Accepted



REVISED 2/29/2024

VILAMONTE PRESSURE BALANCE SHOWER SYSTEM WITH HAND SHOWER

SKU: 953936

Code: SH4001,SH6103,SHH1010Z,SHVL8020GZ,SHVL9005Z,SHHS4080GZ,SHWES2050Z



ADDITIONAL FEATURES

Pressure Balance Tub & Shower Rough-In Valve:

- Pressure balance valve with integral stops.
- One-piece cartridge design for ease of maintenance.
- Back-to-back capability.
- Cast bronze valve body.
- Adjustable temperature limit stop.

3-Way In-Wall Diverter Rough-In Valve - 3/4":

- Six total settings allow for shared water flow between outlets, giving you the ability to use two functions at once.
- Single-Function.
- Diverter Valve Cartridge restricts water flow to one outlet at a time.
- For installations only requiring 2 outlets, the 3rd outlet may be looped into one of the existing pipes.

Contemporary Square Water Supply Elbow for Hand Shower:

- 1/2" Female wall connection.
- 1/2" Male hose connection.

60" Stretchable Metal Hand Shower Hose:

- Double spiral construction.

Hibiscus Hand Shower:

- Single function handshower (full spray).
- Factory installed backflow prevention check valve.

Vilamonte In-Wall Shower Diverter Trim:

- Wall thickness range: 1" - 1-3/4".

Vilamonte Pressure Balance Shower Set Trim:

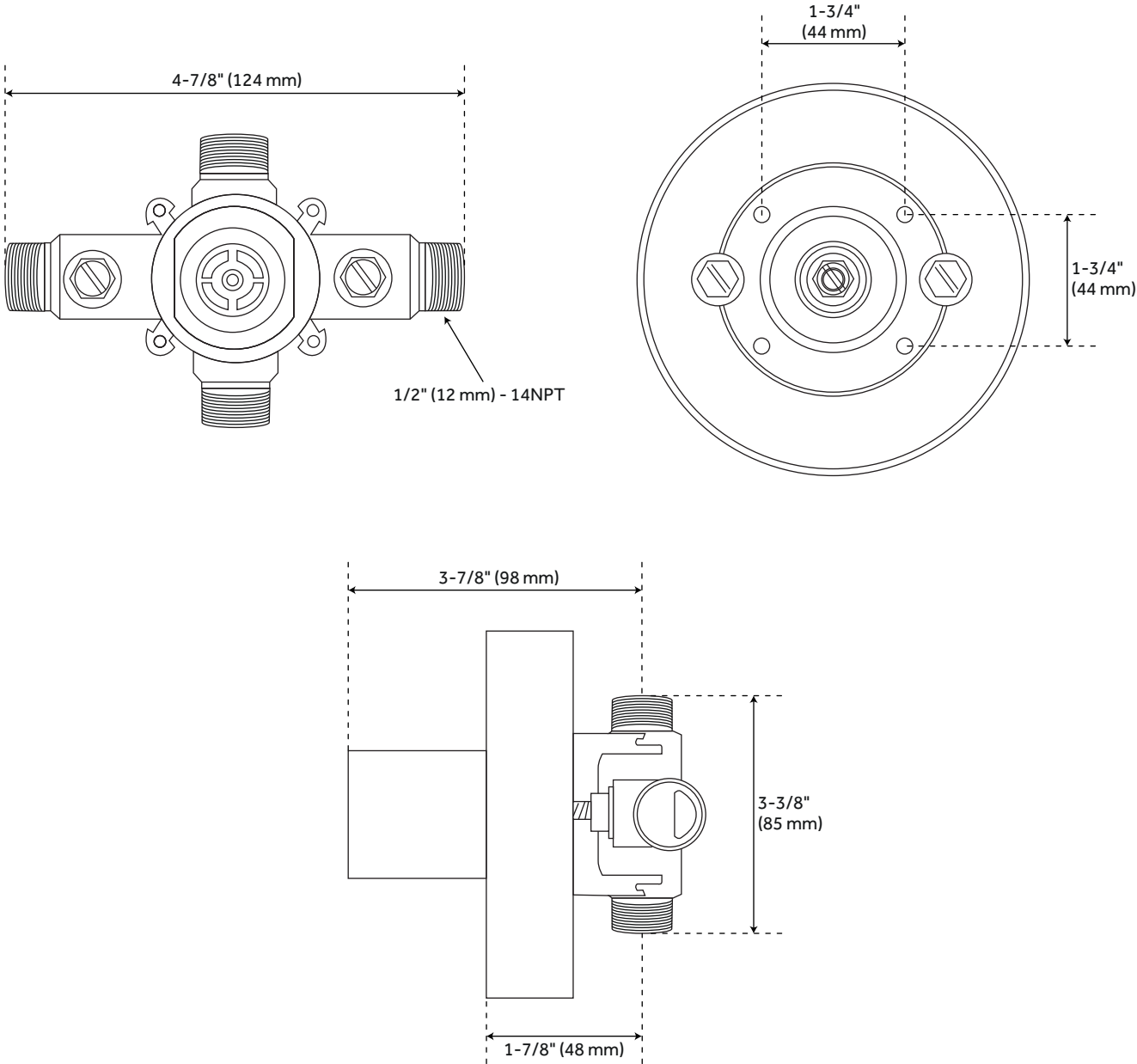
- Handle Type: Lever.
- Back-to-back capability.
- Shower Head is single function.

REVISED 2/29/2024

VILAMONTE PRESSURE BALANCE TUB AND SHOWER ROUGH-IN VALVE

SKU: 953936

Code: SH4001

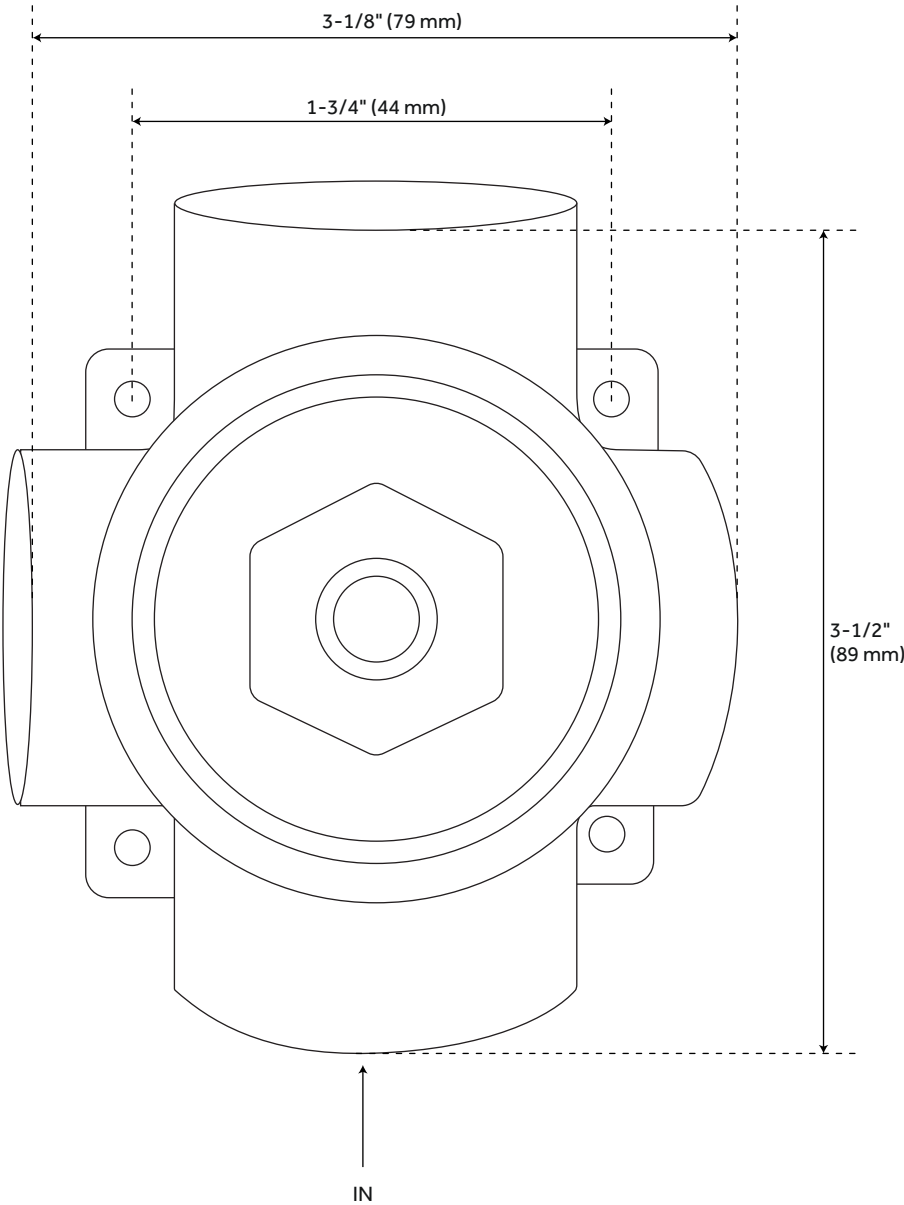


All dimensions and specifications are nominal and may vary. Use actual products for accuracy in critical situations.

VILAMONTE OPTIONAL 3-WAY IN-WALL DIVERTER ROUGH-IN VALVE - 3/4"

SKU: 953936

Code: SH6103

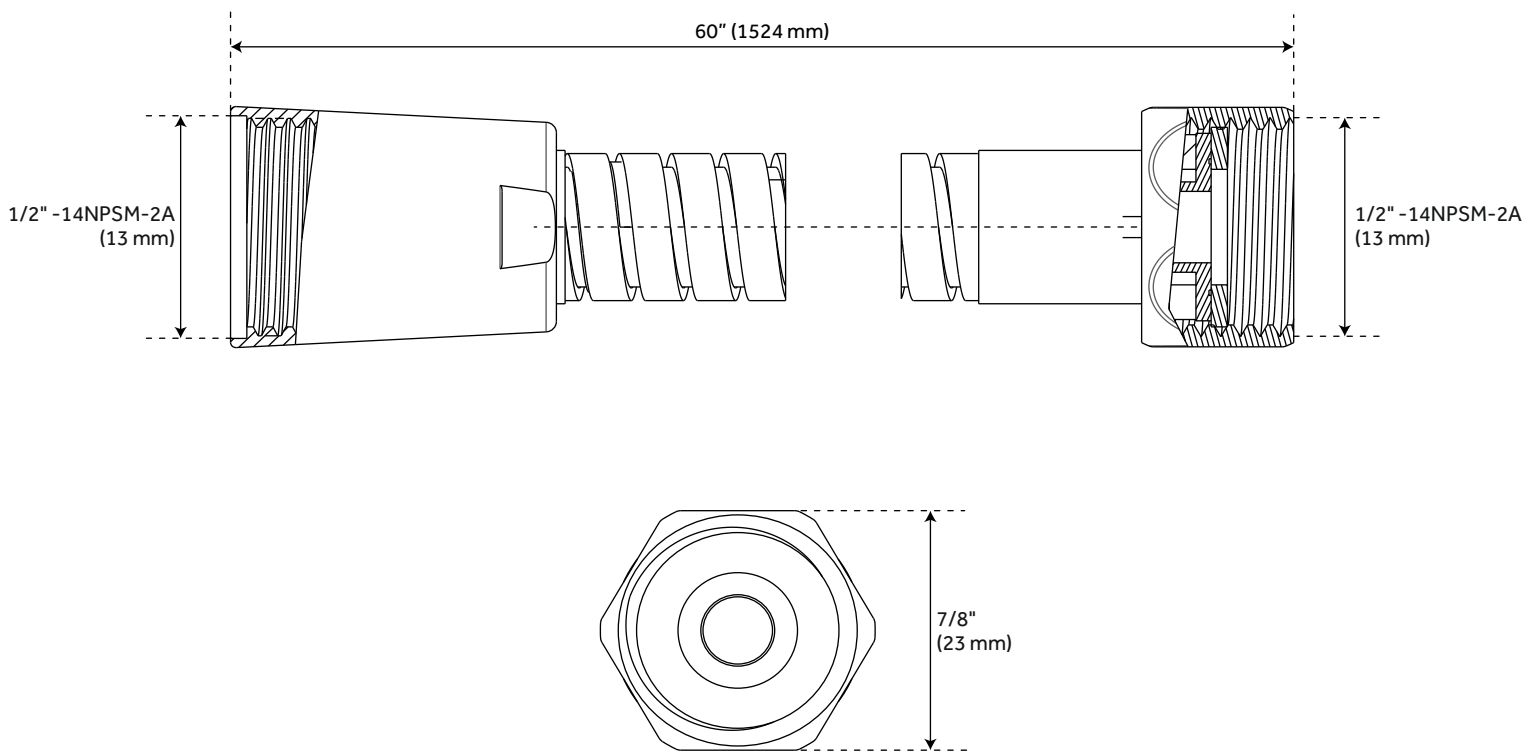


All dimensions and specifications are nominal and may vary. Use actual products for accuracy in critical situations.

60" STRETCHABLE METAL HAND SHOWER HOSE

SKU: 953936

Code: SHH1010

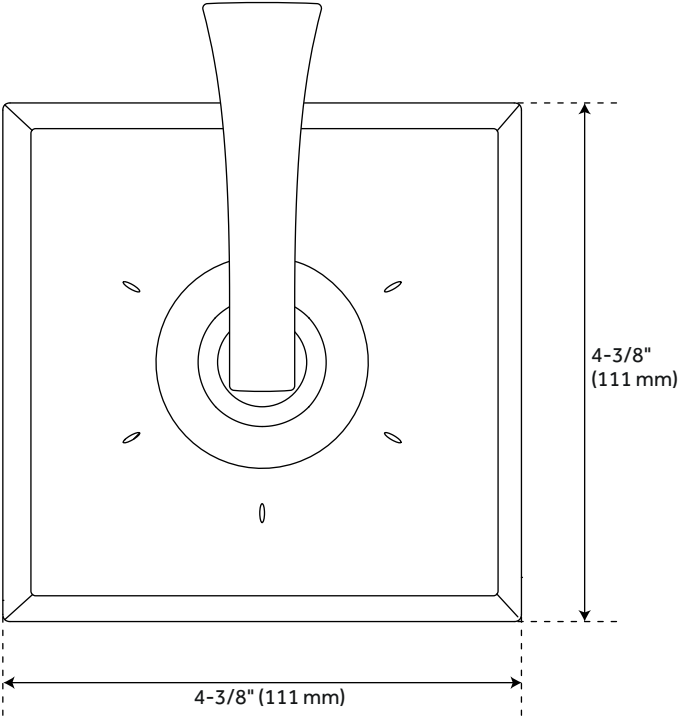
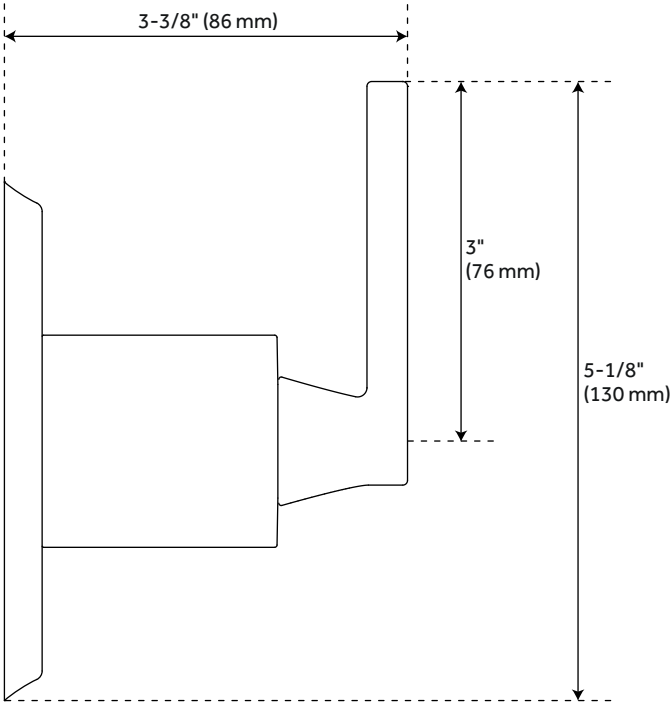


All dimensions and specifications are nominal and may vary. Use actual products for accuracy in critical situations.

VILAMONTE IN-WALL SHOWER DIVERTER

SKU: 953936

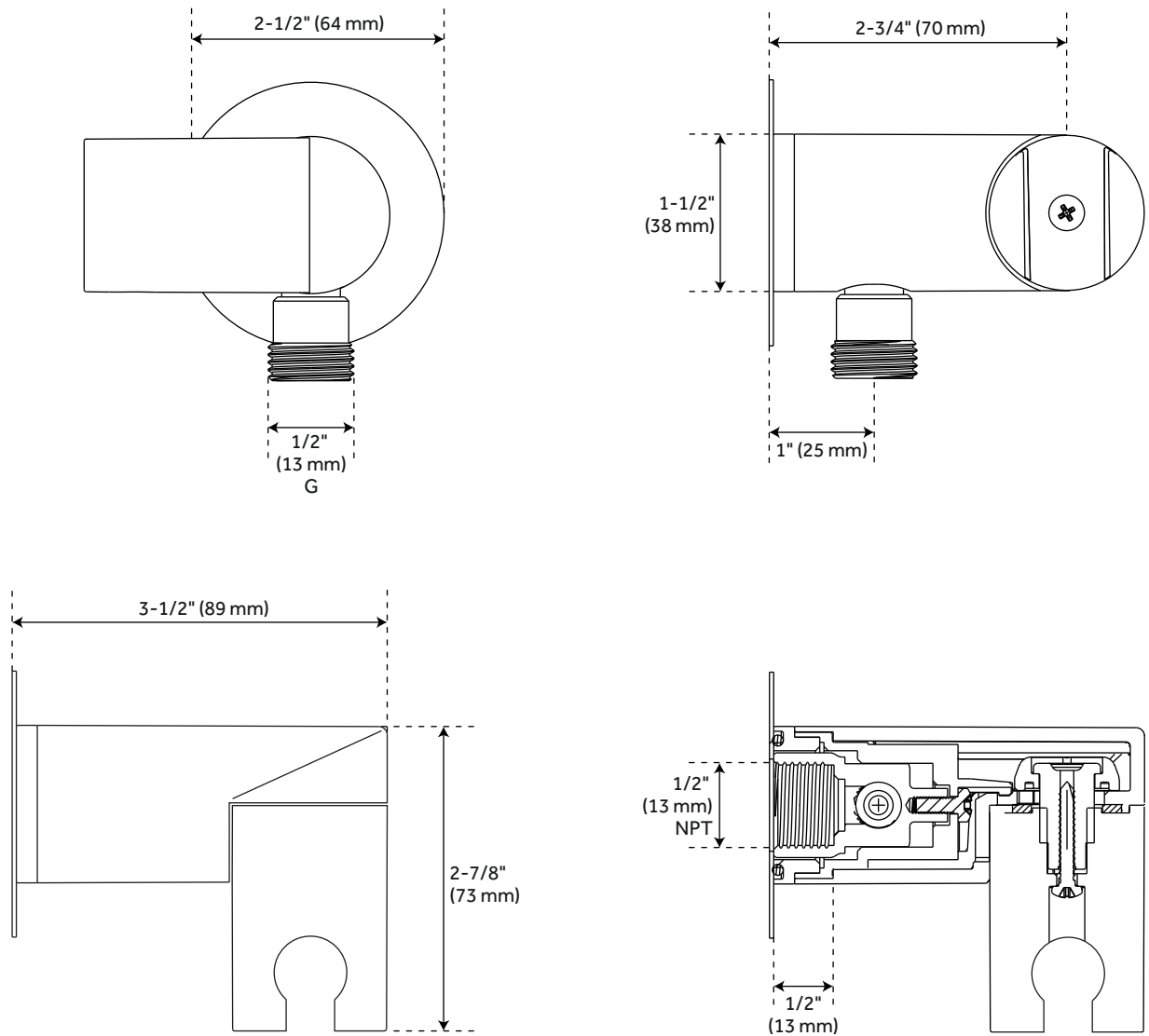
SHVL9005



All dimensions and specifications are nominal and may vary. Use actual products for accuracy in critical situations.

SWIVEL WATER SUPPLY ELBOW AND BRACKET FOR HAND SHOWER

SKU: 948936
SHWES2050



All dimensions and specifications are nominal and may vary. Use actual products for accuracy in critical situations.