

LENTZ PRESSURE BALANCE SHOWER SYSTEM WITH HAND SHOWER - LEVER HANDLE

SKU: 953955-L

Code: SHLZ8010LH, SH4001, SHRSA123, SHRSB820RG, SHHS4030G, SHH1010, SHWES2050, SHLZ9005LH, SH6103, SHLZPBLEV, SHLZTVLEV



ASME A112.18.1/CSA B125.1

ASSE 1016 Type P

CEC Listed

WaterSense by IAPMO

Massachusetts Accepted

LISTED ID: SH4001, SH6103, SHH1010*, SHHS4030G*, SHRSB820RG*, SHWES2050xy, SHLZ8010LH*, SHLZ9005LH**, SHLZPBLEV*, SHLZTVLEV*, SHRSA123**



FEATURES

Installation Type: Wall Mount

Features: Pressure-Balanced, Tub Spout Included

Design: Modern

Material: Brass

Mounting Hardware Included: Yes

Assembly Required: Yes

Shape: Round

Handle Type: Lever

NPT Connection: 1/2"

Shower Head Installation Type: Wall

Number of Shower Heads: 1

Shower Head Spray: Single Function

Shower Head Length: 8"

Shower Head Width: 8"

Shower Arm Included: Yes

Shower Arm Extension: 12-3/8"

Shower Arm Height: 5-3/8"

Shower Head: 1/2" NPSM

Shower Head Swivel: Yes

Valve Trim Width: 6-3/4"

Valve Trim Height: 6-3/4"

Hand Shower Length: 8-7/8"

Hand Shower Hose Length: 60"

Hand Shower Material: ABS

Hand Shower Flow Rate: 1.8 gpm (6.8 L/min) @ 80 psi

Diverter Included: Yes

Diverter Outlets: 1

Shower Head Flow Rate: 1.8 gpm (6.8 L/min) @ 80 psi

Rainfall Shower Head Flow Rate: 1.8 gpm (6.8 L/min) @ 80 psi

Ceramic Disc Cartridges: Yes

REVISED 1/15/2024

LENTZ PRESSURE BALANCE SHOWER SYSTEM WITH HAND SHOWER - LEVER HANDLE

SKU: 953955-L

Code: SHLZ8010LH, SH4001, SHRSA123, SHRSB820RG, SHHS4030G, SHH1010, SHWES2050, SHLZ9005LH, SH6103, SHLZPBLEV, SHLZTVLEV



ADDITIONAL FEATURE

Metal handle.

- Single function shower head (full spray).
- Easy clean rubber nozzles.
- Brass ball-joint.
- Brass constructed shower arm.
- Pressure Balance Tub & Shower Rough-In Valve:
- Pressure balance valve with integral stops.
- Ceramic disc valve cartridge.
- Cast bronze valve body.
- Adjustable temperature limit stop.
- Easy mounting brackets.

12" Wall-Mount Rainfall Shower Arm:

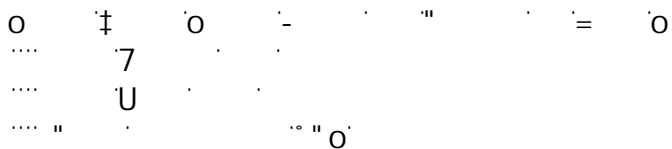
- Solid brass construction.
- Escutcheon included.

8" Modern Round Rainfall Shower Head - 1.8 GPM:

- Single function shower head (full spray).
- Easy clean rubber nozzles.
- Brass ball joint.

Contemporary Tubular Hand Shower:

- Single function hand shower.
- Easy-clean spray nozzles.
- Factory installed backflow prevention check valve.



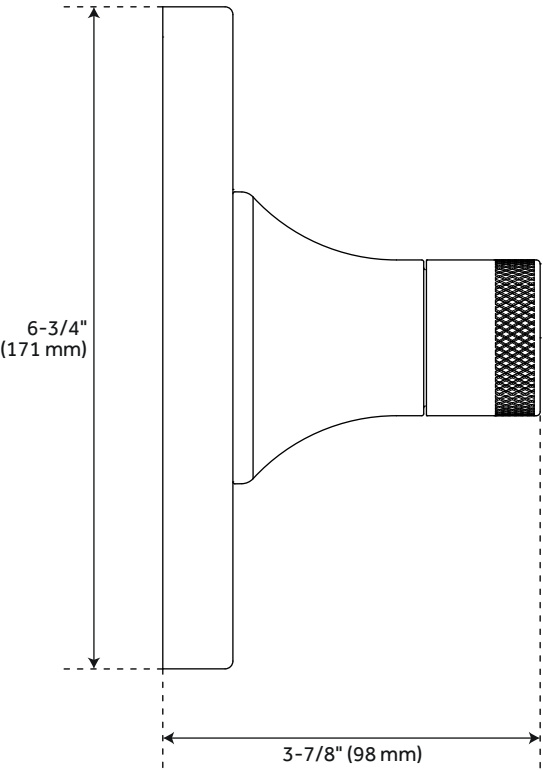
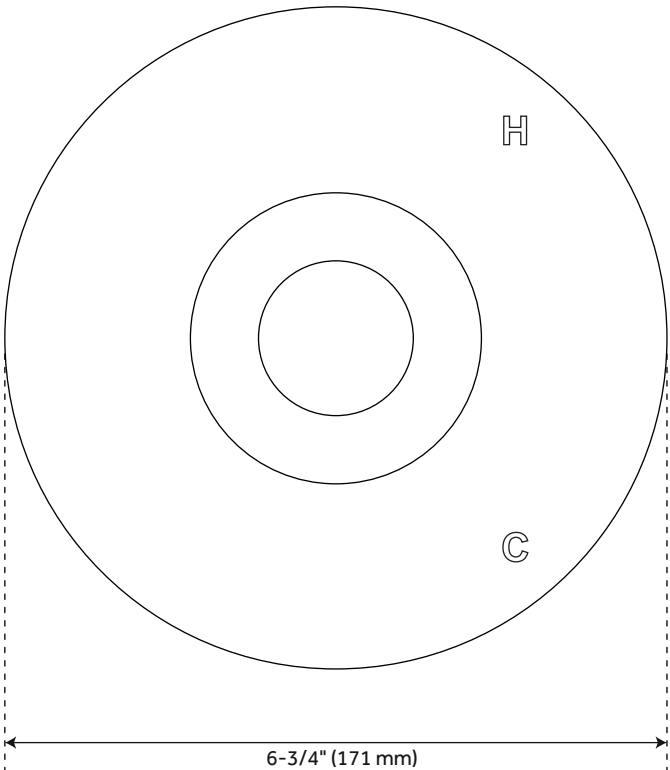
3-Way In-Wall Diverter Rough-In Valve - 3/4":

- For installations only requiring 2 outlets, the 3rd outlet may be looped into one of the existing pipes.

REVISED 1/15/2024

LENTZ PRESSURE BALANCE SHOWER VALVE TRIM

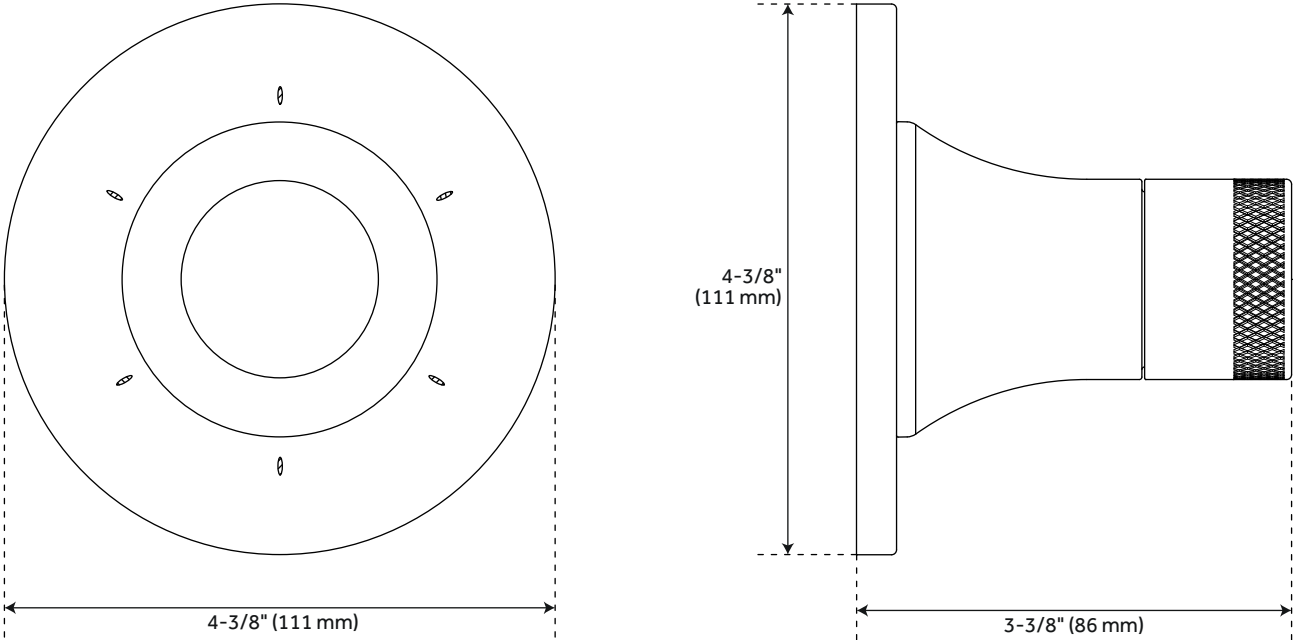
CODE: SHLZ8010LH, SHLZKNOB



All dimensions and specifications are nominal and may vary. Use actual products for accuracy in critical situations.

LENTZ 3-WAY IN-WALL DIVERTER VALVE TRIM

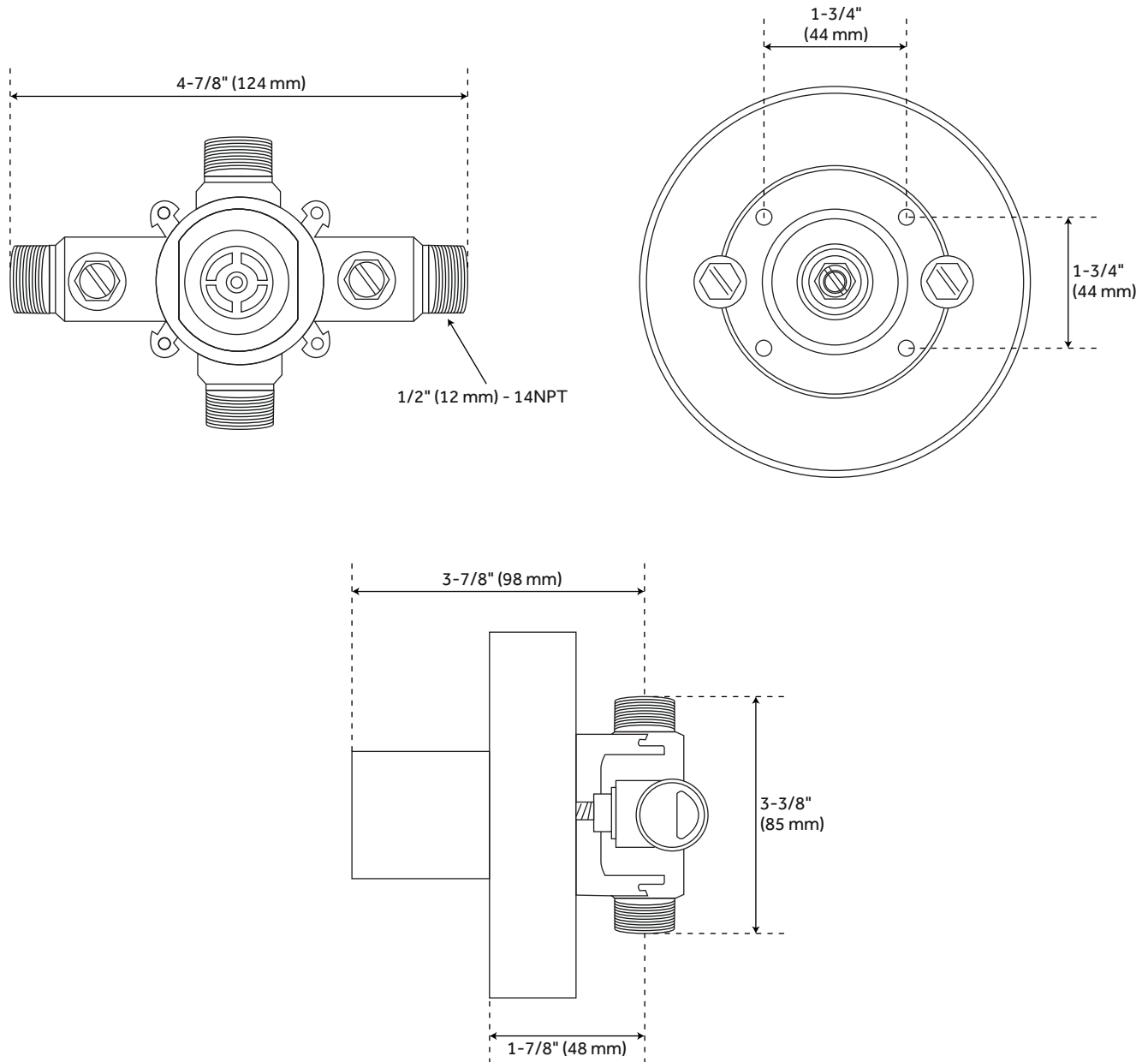
CODE: SHLZ8010LH, SHLZKNOB



All dimensions and specifications are nominal and may vary. Use actual products for accuracy in critical situations.

LENTZ PRESSURE BALANCE SHOWER ROUGH-IN VALVE

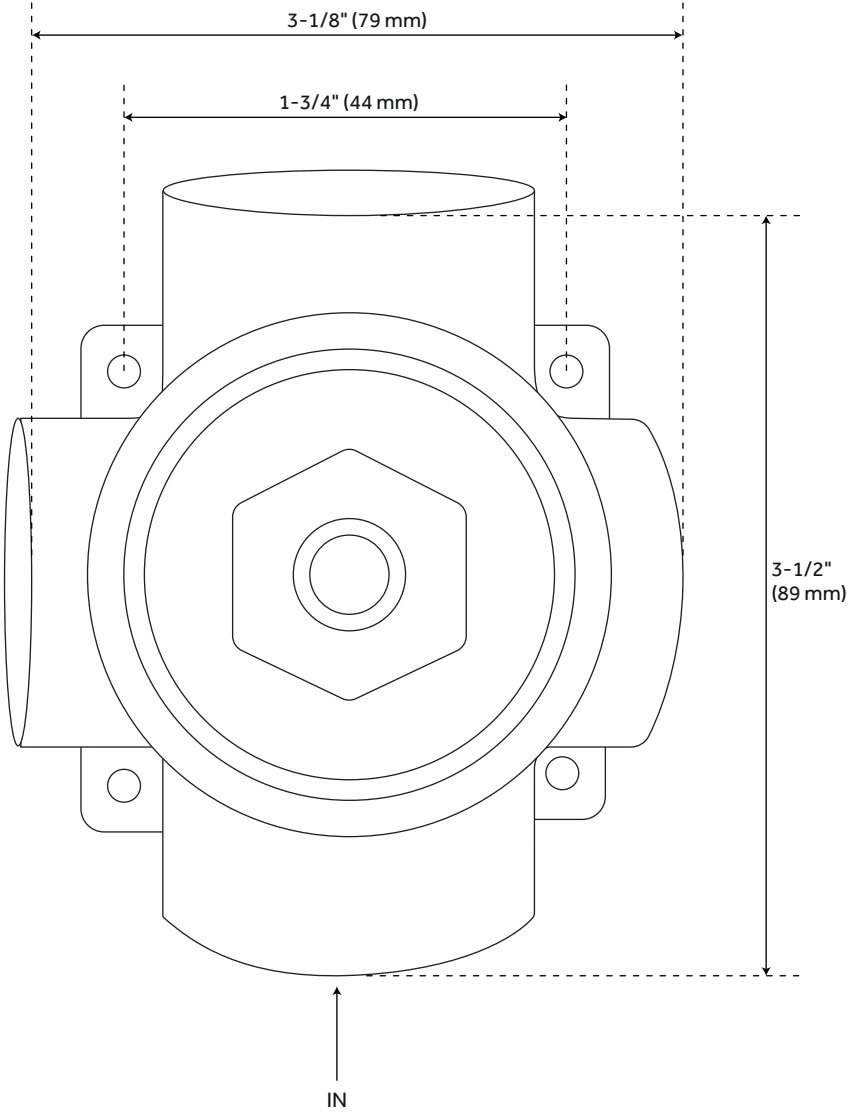
CODE: SH4001



All dimensions and specifications are nominal and may vary. Use actual products for accuracy in critical situations.

LENTZ DIVERTER ROUGH-IN VALVE

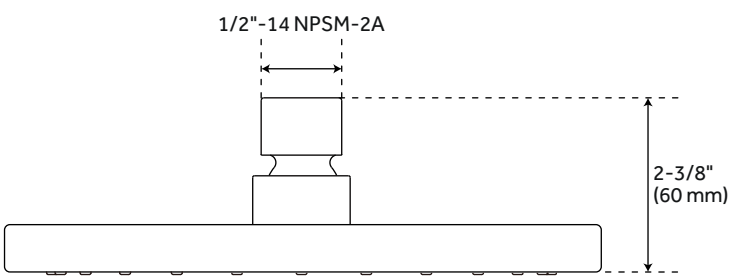
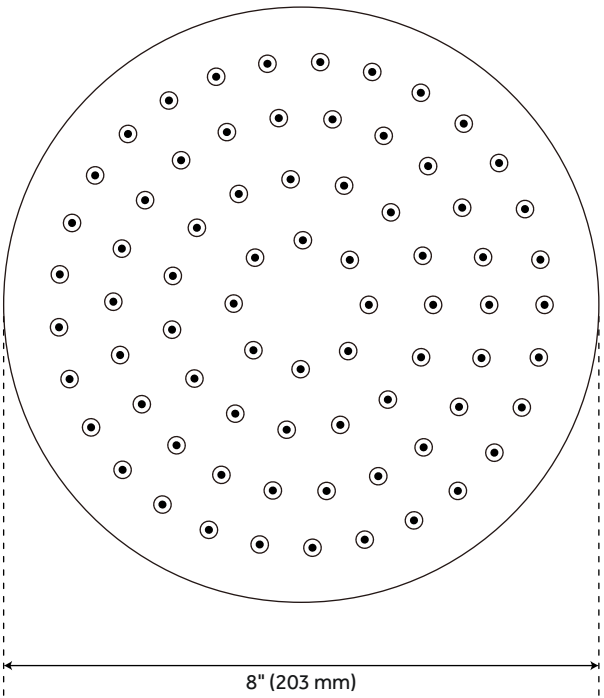
CODE: SH6103



All dimensions and specifications are nominal and may vary. Use actual products for accuracy in critical situations.

LENTZ RAINFALL SHOWER HEAD

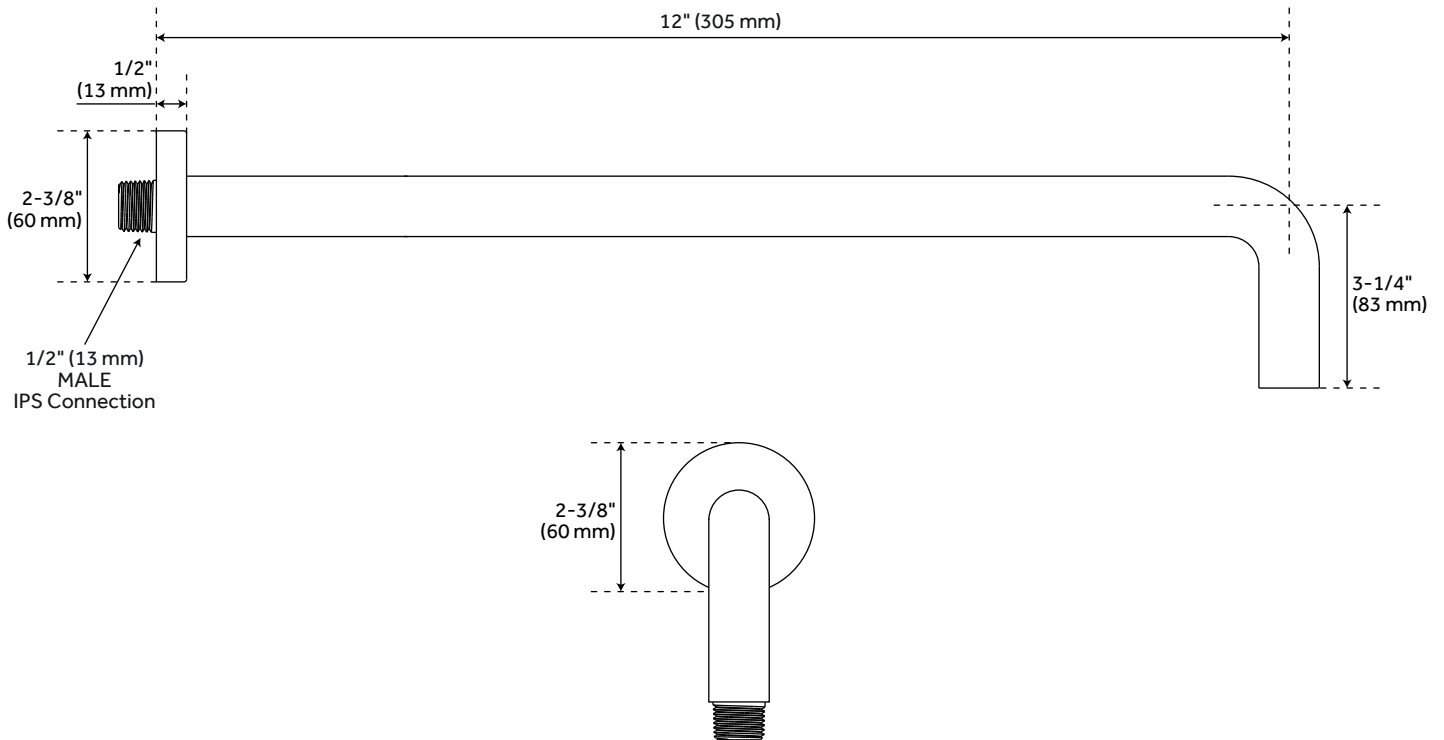
CODE: SHRSB820RG



All dimensions and specifications are nominal and may vary. Use actual products for accuracy in critical situations.

LENTZ WALL-MOUNT SHOWER ARM

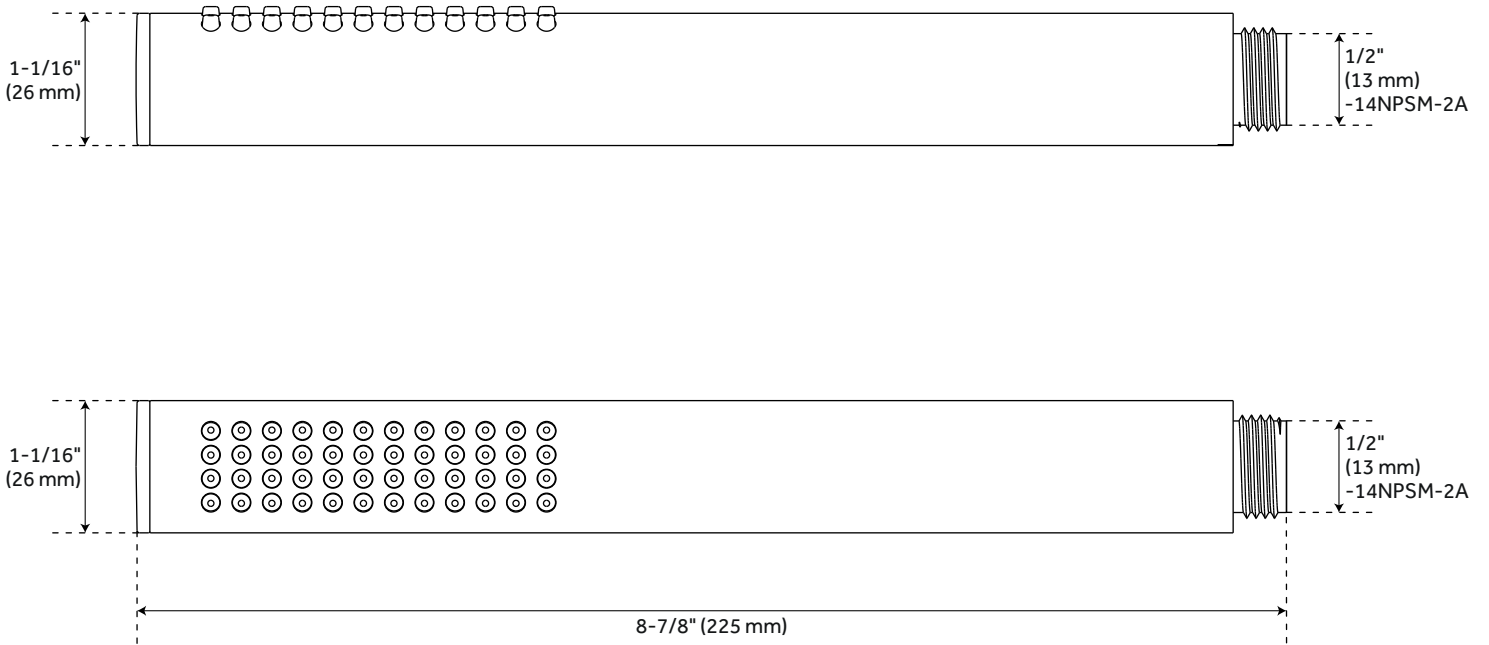
CODE: SHRSA123



All dimensions and specifications are nominal and may vary. Use actual products for accuracy in critical situations.

LENTZ HAND SHOWER

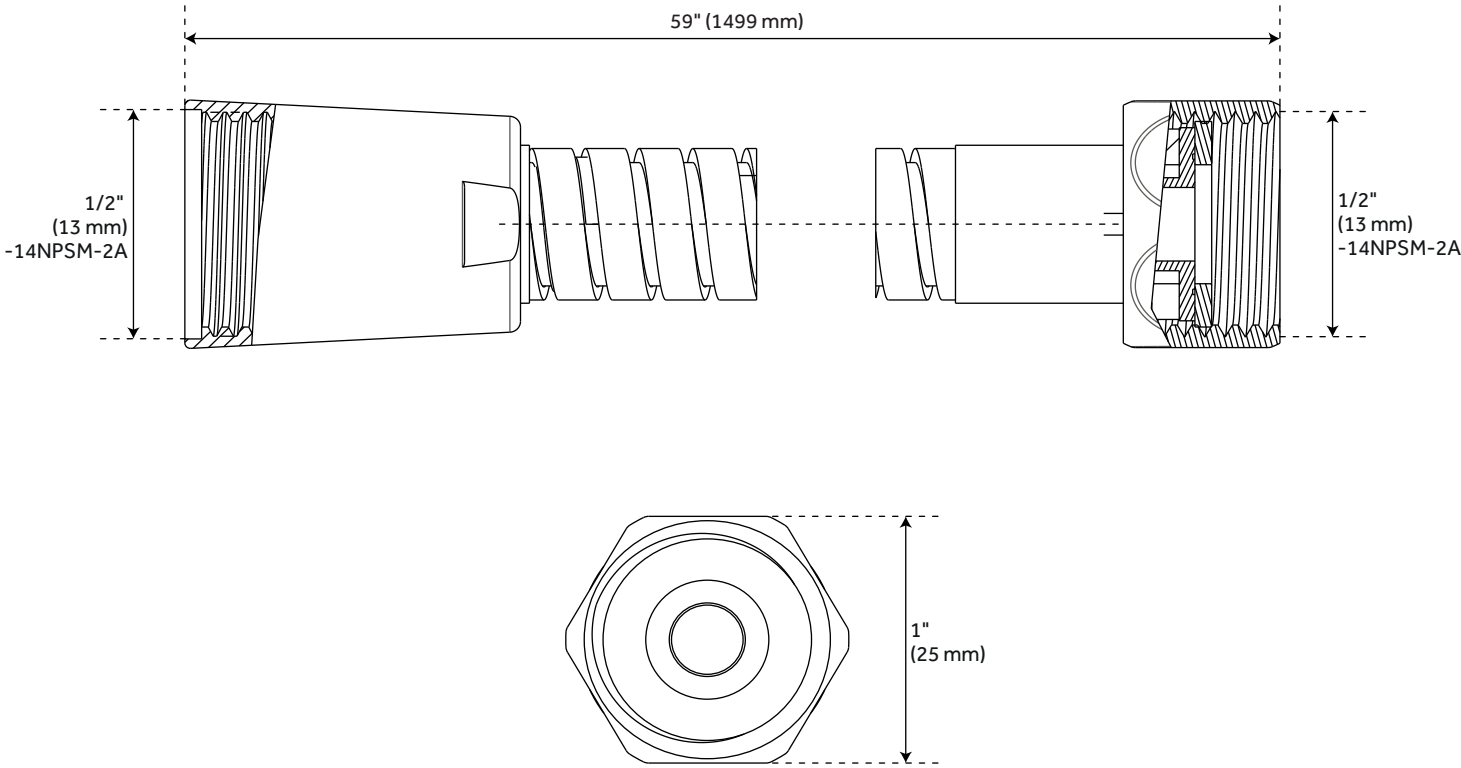
CODE: SHHS4030G



All dimensions and specifications are nominal and may vary. Use actual products for accuracy in critical situations.

LENTZ HAND SHOWER HOSE

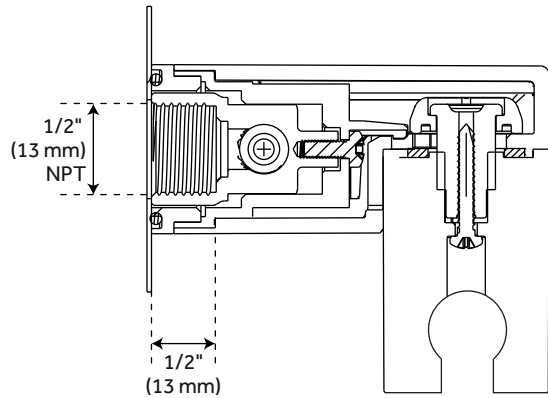
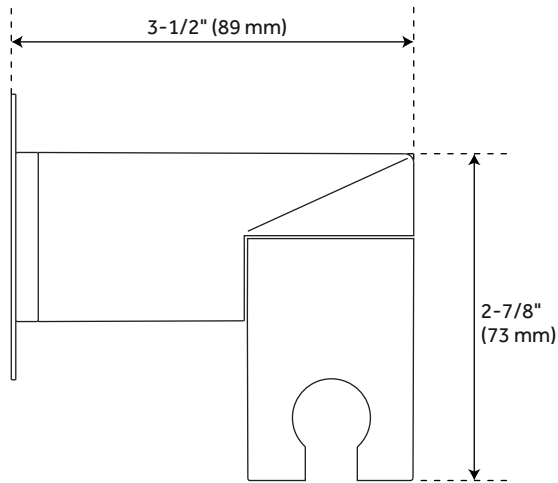
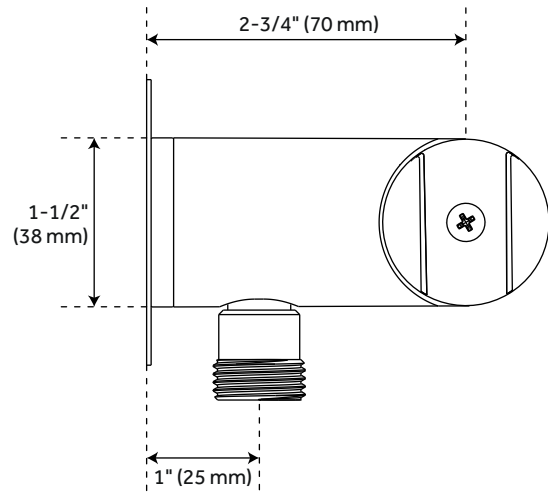
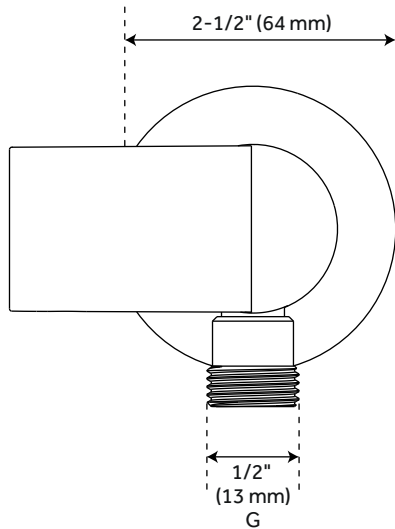
CODE: SHH1010



All dimensions and specifications are nominal and may vary. Use actual products for accuracy in critical situations.

LENTZ SUPPLY ELBOW & BRACKET

CODE: SHWES2050



All dimensions and specifications are nominal and may vary. Use actual products for accuracy in critical situations.

LENTZ PRESSURE BALANCE SHOWER SYSTEM WITH HAND SHOWER - LEVER HANDLE

SKU: 953955-L

Code: SHLZ8010LH, SH4001, SHRSA123, SHRSB820RG, SHHS4030G, SHH1010, SHWES2050, SHLZ9005LH, SH6103, SHLZPBLEV, SHLZTVLEV



ASME A112.18.1/CSA B125.1

ASSE 1016 Type P

CEC Listed

WaterSense by IAPMO

Massachusetts Accepted



FEATURES

Installation Type: Wall Mount

Features: Pressure-Balanced, Tub Spout Included

Design: Modern

Material: Brass

Mounting Hardware Included: Yes

Assembly Required: Yes

Shape: Round

Handle Type: Lever

NPT Connection: 1/2"

Shower Head Installation Type: Wall

Number of Shower Heads: 1

Shower Head Spray: Single Function

Shower Head Length: 8"

Shower Head Width: 8"

Shower Arm Included: Yes

Shower Arm Extension: 12-3/8"

Shower Arm Height: 5-3/8"

Shower Head IPS: 1/2"

Shower Head Swivel: No

Valve Trim Width: 6-3/4"

Valve Trim Height: 6-3/4"

Hand Shower Length: 8-7/8"

Hand Shower Hose Length: 60"

Hand Shower Material: ABS

Hand Shower Flow Rate: 1.8 gpm (6.8 L/min) @ 80 psi

Diverter Included: Yes

Diverter Outlets: 1

Flow Rate: 8.45 gpm (32L/min) @ 20 psi

Rainfall Shower Head Flow Rate: 1.8 gpm (6.8 L/min) @ 80 psi

Ceramic Disc Cartridges: Yes

REVISED 1/8/2024

LENTZ PRESSURE BALANCE SHOWER SYSTEM WITH HAND SHOWER - LEVER HANDLE

SKU: 953955-L

Code: SHLZ8010LH, SH4001, SHRSA123, SHRSB820RG, SHHS4030G, SHH1010, SHWES2050, SHLZ9005LH, SH6103, SHLZPBLEV, SHLZTVLEV



ADDITIONAL FEATURES

Metal handle.

- Single function shower head (full spray).
- Easy clean rubber nozzles.
- Brass ball-joint.
- Brass constructed shower arm.
- Pressure Balance Tub & Shower Rough-In Valve:
- Pressure balance valve with integral stops.
- Ceramic disc valve cartridge.
- Cast bronze valve body.
- Adjustable temperature limit stop.
- Easy mounting brackets.

12" Wall-Mount Rainfall Shower Arm:

- Solid brass construction.
- Escutcheon included.

8" Modern Round Rainfall Shower Head - 1.8 GPM:

- Single function shower head (full spray).
- Easy clean rubber nozzles.
- Brass ball joint.

Contemporary Tubular Hand Shower:

- Single function hand shower.
- Easy-clean spray nozzles.
- Factory installed backflow prevention check valve.
- 60" Stretchable Metal Hand Shower Hose:
- Double spiral constructed hose.
- Swivel Water Supply Elbow and Bracket for Hand Shower:
-

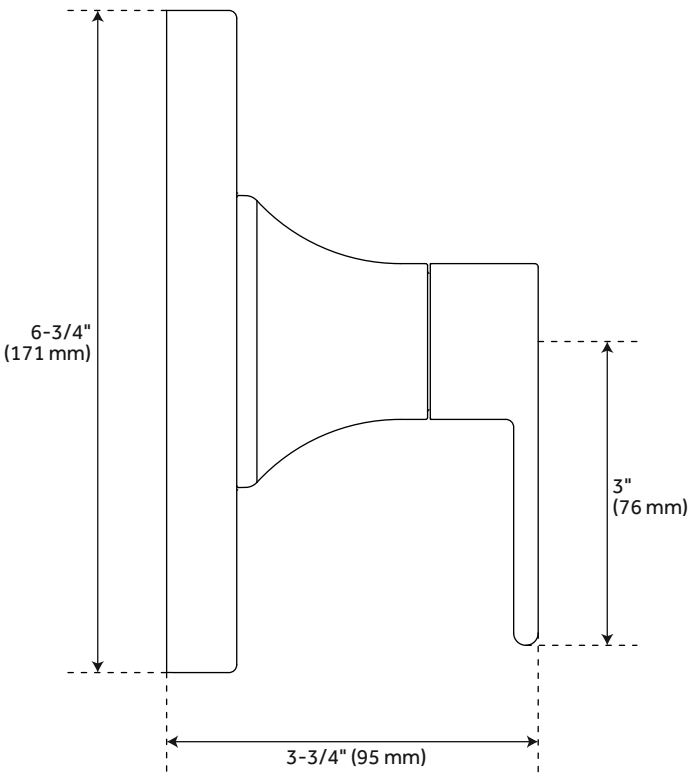
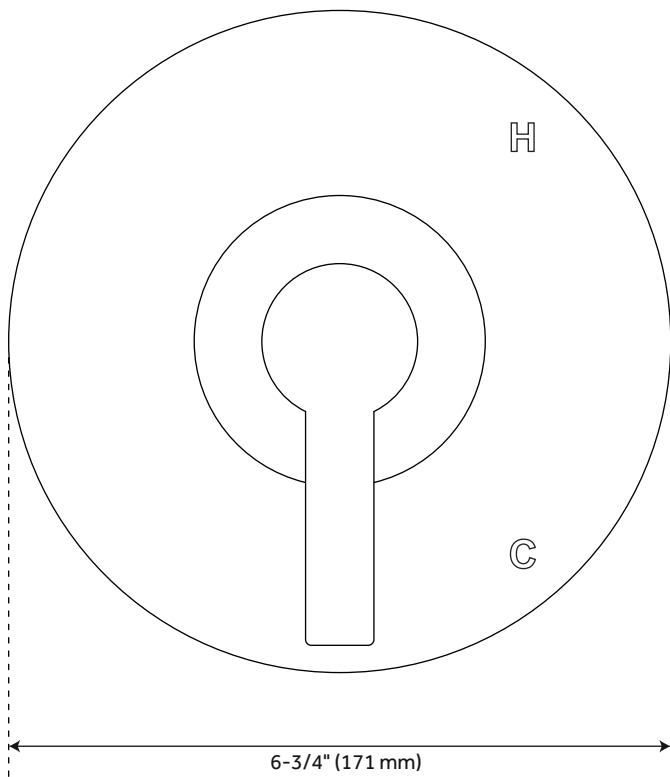
1/2" Female wall connection.

- 1/2" Male hose connection.
- Brass inlet/outlet, ABS body.
- 3-Way In-Wall Diverter Rough-In Valve - 3/4":
- For installations only requiring 2 outlets, the 3rd outlet may be looped into one of the existing pipes.

REVISED 1/8/2024

LENTZ PRESSURE BALANCE SHOWER VALVE TRIM

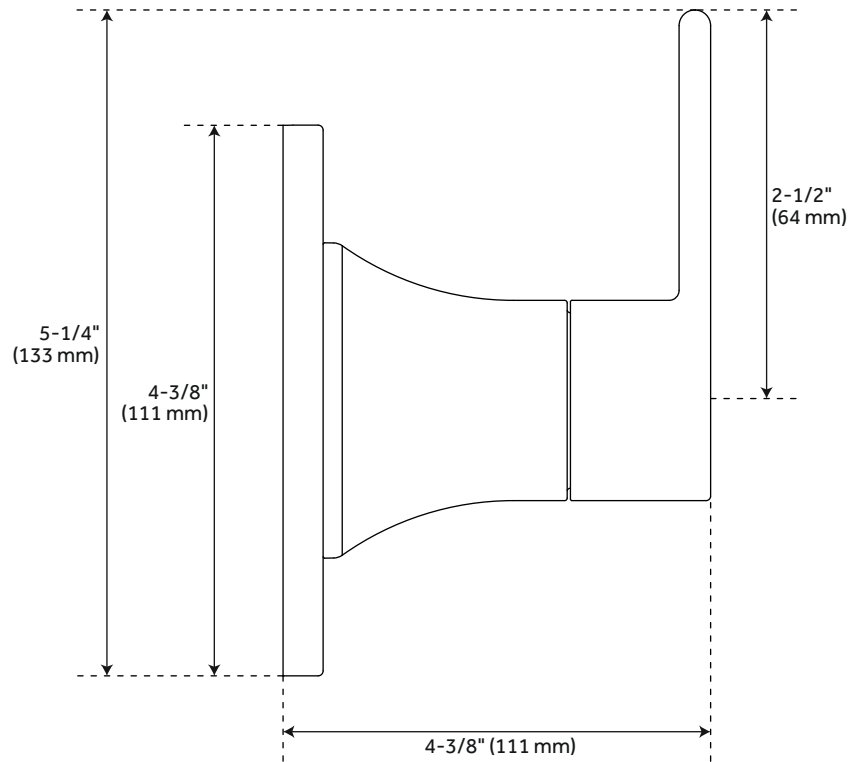
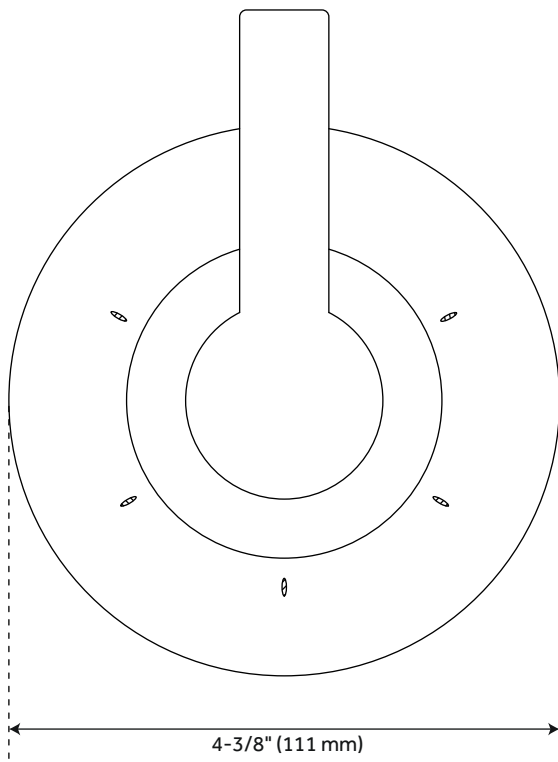
CODE: SHLZTVLEV, SHLZ9005LH



All dimensions and specifications are nominal and may vary. Use actual products for accuracy in critical situations.

LENTZ 3-WAY IN-WALL DIVERTER VALVE TRIM

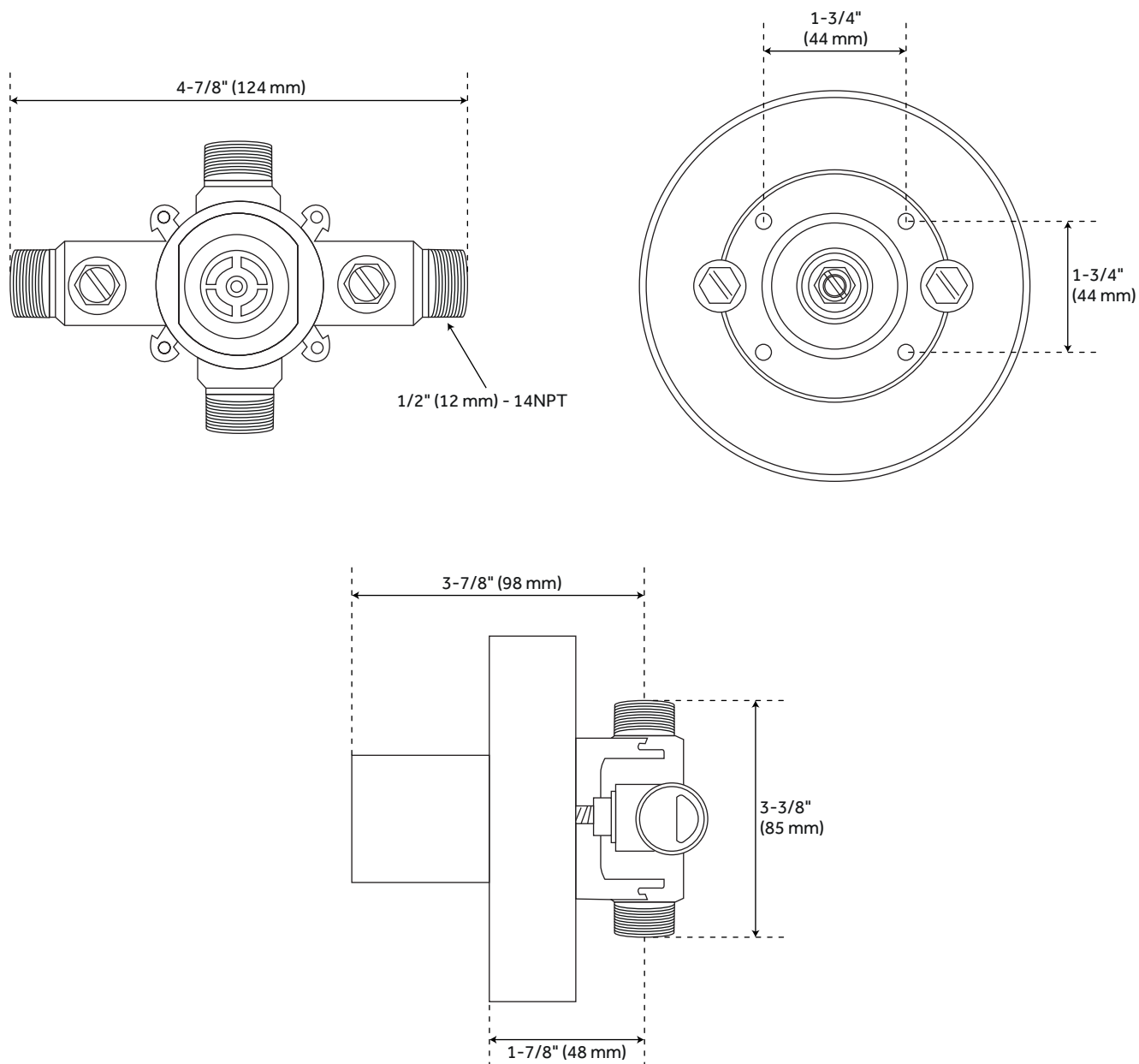
CODE: SHLZTVLEV, SHLZ9005LH



All dimensions and specifications are nominal and may vary. Use actual products for accuracy in critical situations.

LENTZ PRESSURE BALANCE SHOWER ROUGH-IN VALVE

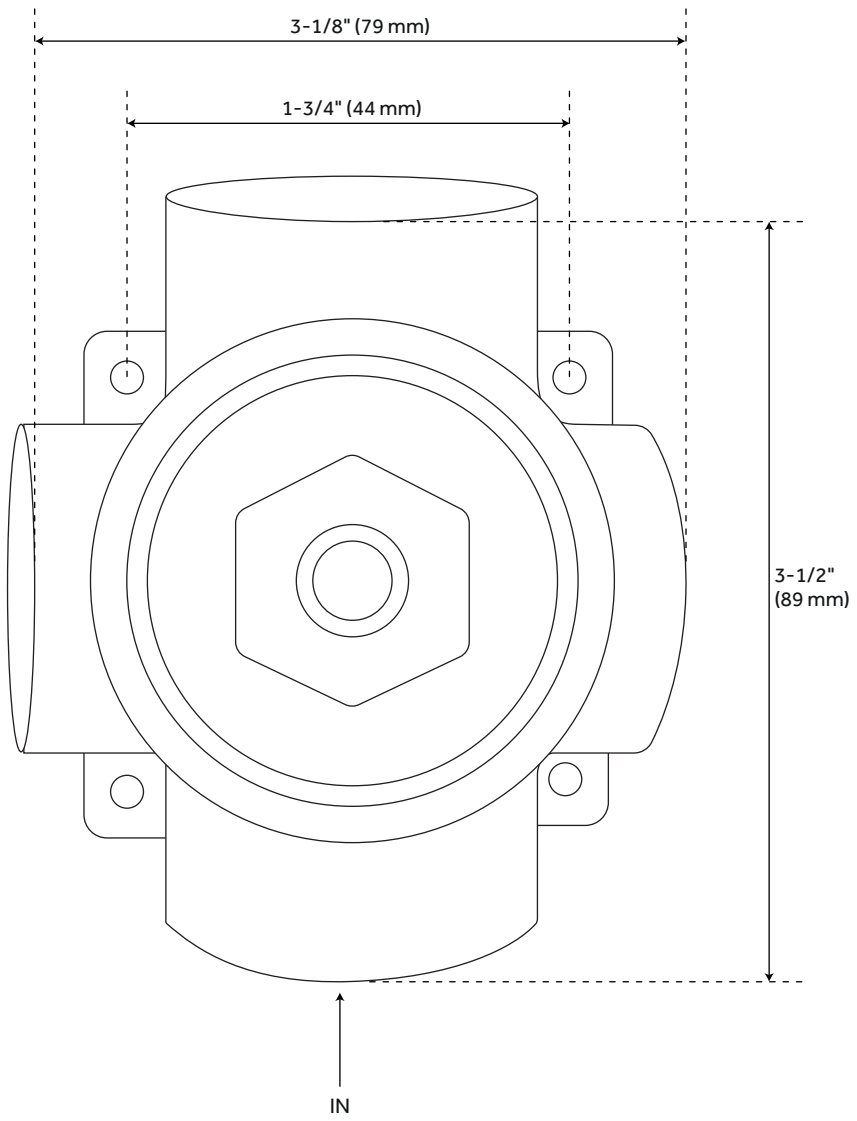
CODE: SH4001



All dimensions and specifications are nominal and may vary. Use actual products for accuracy in critical situations.

LENTZ DIVERTER ROUGH-IN VALVE

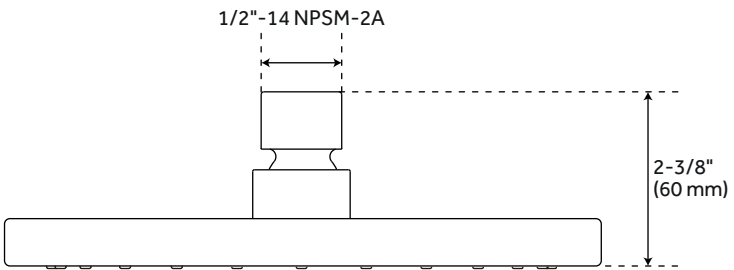
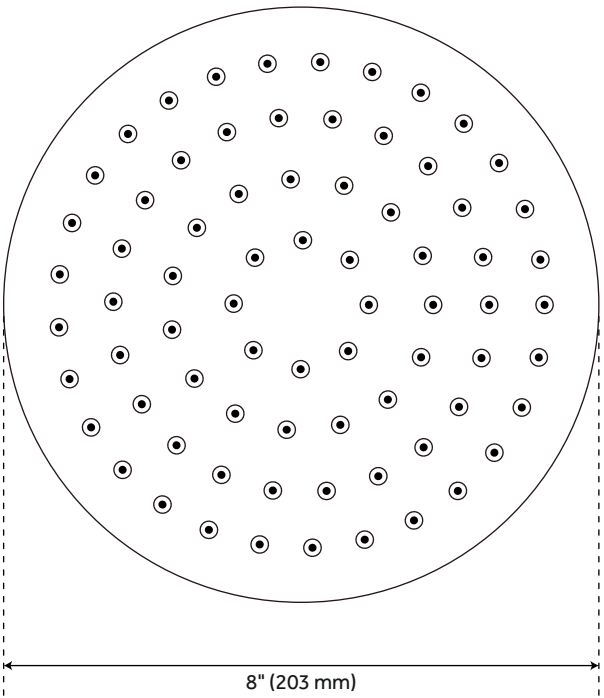
CODE: SH6103



All dimensions and specifications are nominal and may vary. Use actual products for accuracy in critical situations.

LENTZ RAINFALL SHOWER HEAD

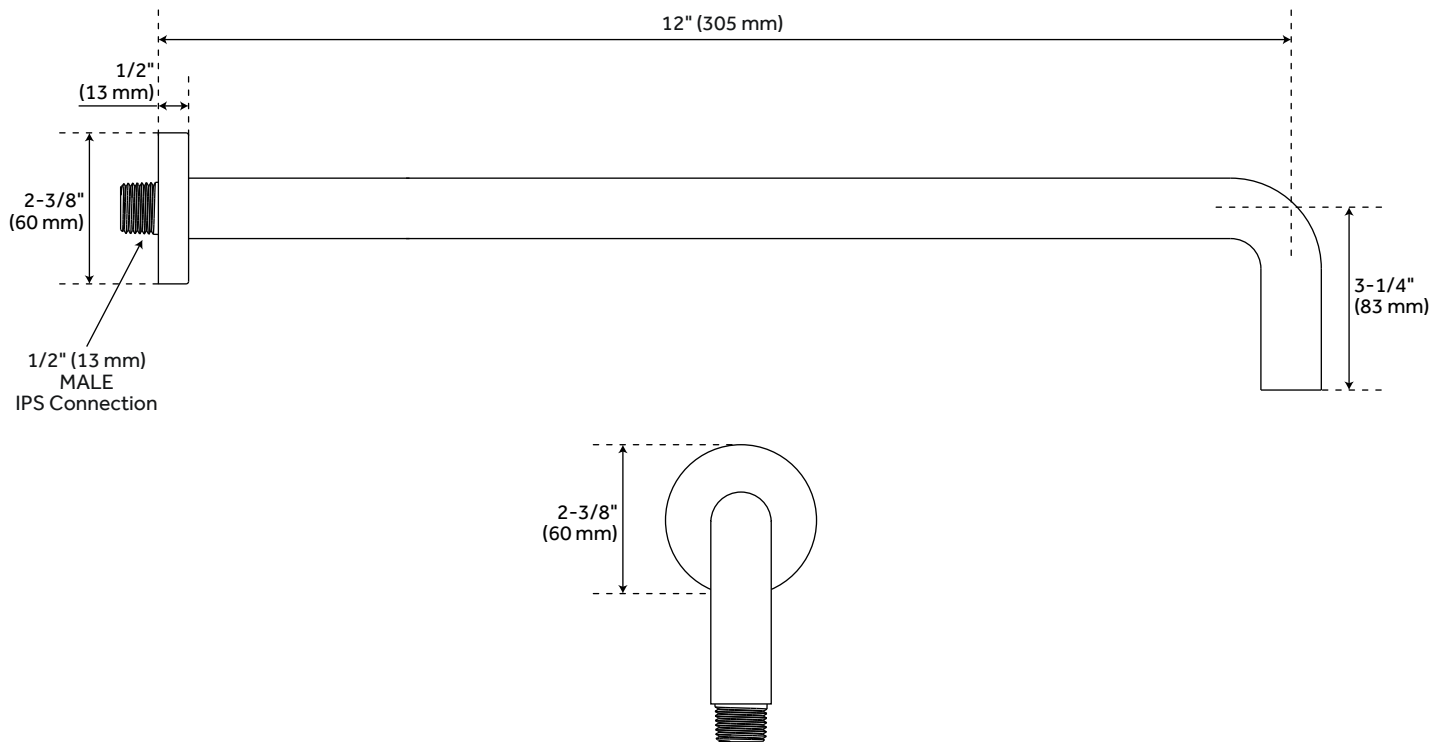
CODE: SHRSB820R



All dimensions and specifications are nominal and may vary. Use actual products for accuracy in critical situations.

LENTZ WALL-MOUNT SHOWER ARM

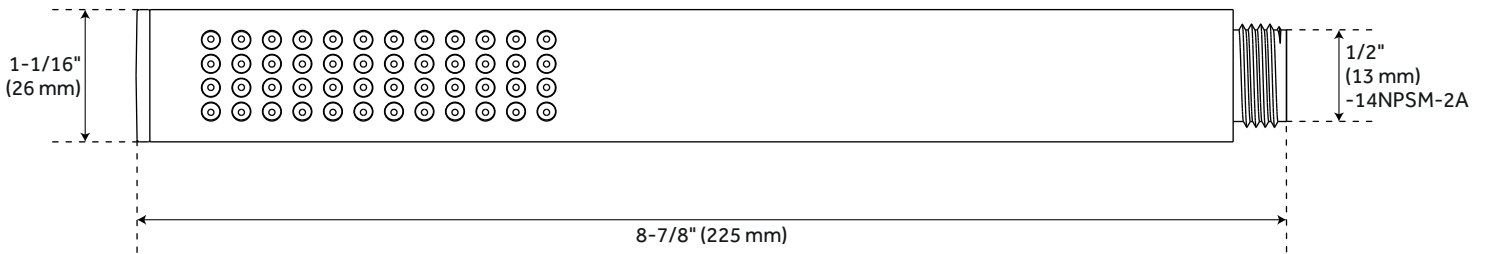
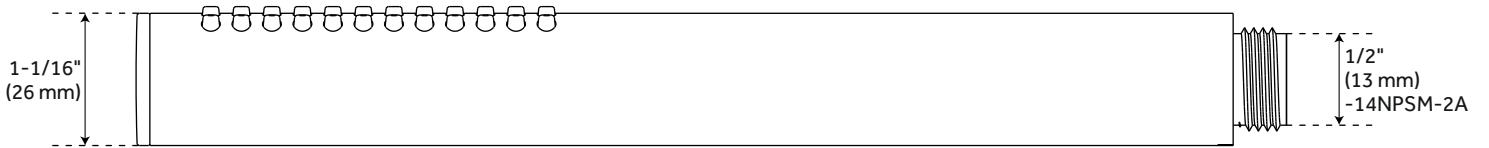
CODE: SHRSA123



All dimensions and specifications are nominal and may vary. Use actual products for accuracy in critical situations.

LENTZ HAND SHOWER

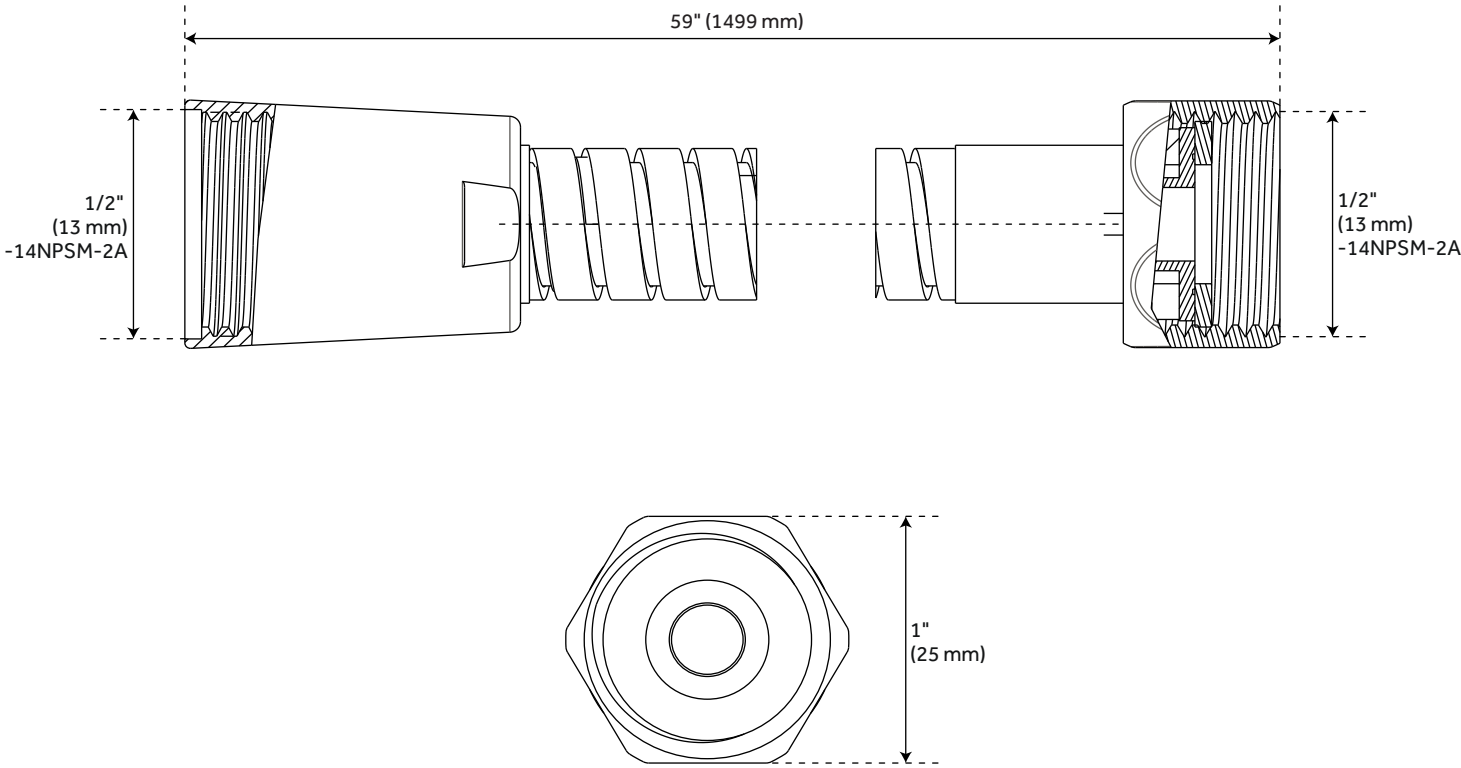
CODE: SHHS4030G



All dimensions and specifications are nominal and may vary. Use actual products for accuracy in critical situations.

LENTZ HAND SHOWER HOSE

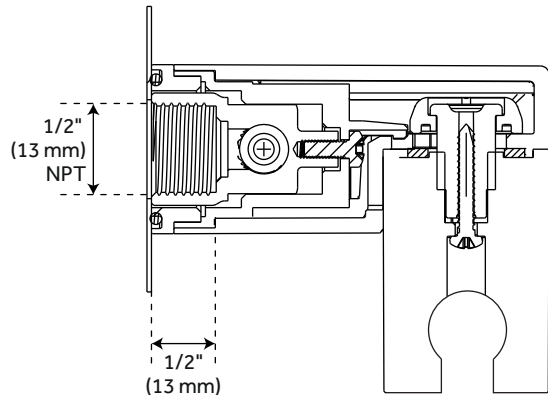
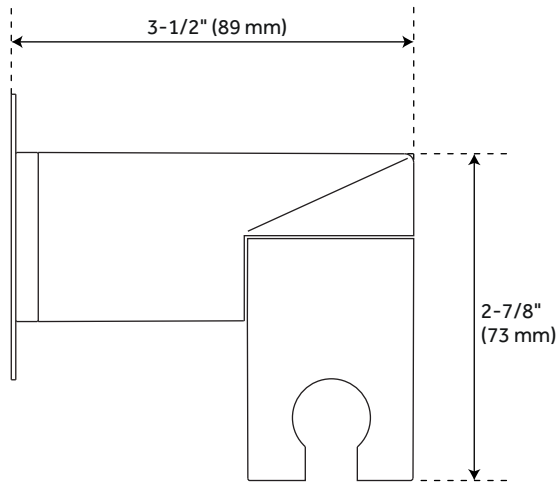
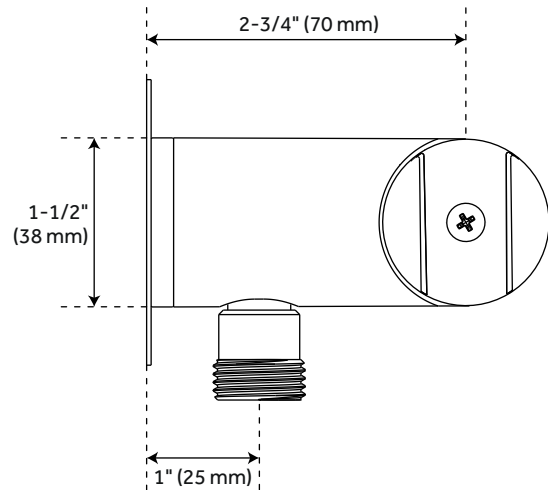
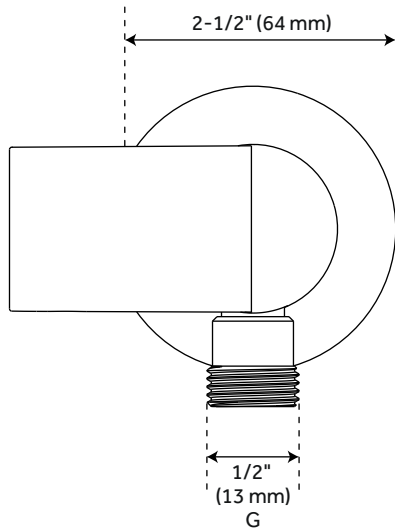
CODE: SHH1010



All dimensions and specifications are nominal and may vary. Use actual products for accuracy in critical situations.

LENTZ SUPPLY ELBOW & BRACKET

CODE: SHWES2050



All dimensions and specifications are nominal and may vary. Use actual products for accuracy in critical situations.

LENTZ PRESSURE BALANCE SHOWER SYSTEM WITH HAND SHOWER - KNOB HANDLE

SKU: 953955-K

Code: SHLZ8010LH, SH4001, SHRSA123, SHRSB820RG, SHHS4030G, SHH1010, SHWES2050, SHLZ9005LH, SH6103, SHLZPBKNOB, SHLZTVKNOB



FEATURES

Installation Type: Wall Mount
Features: Pressure-Balanced, Tub Spout
Design: Modern
Material: Brass
Mounting Hardware Included: Yes
Assembly Required: Yes
Shape: Round
Handle Type: Knob
NPT Connection: 1/2"
Shower Head Installation Type: Wall
Number of Shower Heads: 1
Shower Head Spray: Single Function
Shower Head Length: 8"
Shower Head Width: 8"
Shower Arm Included: Yes
Shower Arm Extension: 12-3/8"
Shower Arm Height: 5-3/8"
Shower Head: 1/2" NPSM
Shower Head Swivel: Yes
Valve Trim Width: 6-3/4"
Valve Trim Height: 6-3/4"
Hand Shower Length: 8-7/8"
Hand Shower Hose Length: 60"
Hand Shower Material: ABS
Hand Shower Flow Rate: 1.8 gpm (6.8 L/min) @ 80 psi
Diverter Included: Yes
Diverter Outlets: 1
Shower Head Flow Rate: 1.8 gpm (6.8 L/min) @ 80 psi
Rainfall Shower Head Flow Rate: 1.8 gpm (6.8 L/min) @ 80 psi
Ceramic Disc Cartridges: Yes

ASME A112.18.1/CSA B125.1

ASSE 1016 Type P

CEC Listed

WaterSense by IAPMO

Massachusetts Accepted

LISTED ID: SH4001, SH6103, SHH1010*,
SHLZ8010LH*, SHLZ9005LH**, SHLZPBKNOB*,
SHLZTVKNOB*, SHHS4030G*, SHRSB820RG*,
SHWES2050xy, SHRSA123**



REVISED 1/15/2024

LENTZ PRESSURE BALANCE SHOWER SYSTEM WITH HAND SHOWER - KNOB HANDLE

SKU: 953955-K

Code: SHLZ8010LH, SH4001, SHRSA123, SHRSB820RG, SHHS4030G, SHH1010, SHWES2050, SHLZ9005LH, SH6103, SHLZPBKNOB, SHLZTVKNOB



ADDITIONAL FEATURES

Lentz Pressure Balance Shower System With Lever Handles: Metal handle.

- Single function shower head (full spray).
- Easy clean rubber nozzles.
- Brass ball-joint.
- Brass constructed shower arm.
- Pressure Balance Tub & Shower Rough-In Valve:
- Pressure balance valve with integral stops.
- Cast bronze valve body.
- 12" Wall-Mount Rainfall Shower Arm:
- Solid brass construction.
- Escutcheon included.

8" Modern Round Rainfall Shower Head - 1.8 GPM:

- Single function shower head (full spray).
- Easy clean rubber nozzles.
- Brass ball joint.

Contemporary Tubular Hand Shower:

- Single function hand shower.
- Easy-clean spray nozzles.
- Factory installed backflow prevention check valve.
- Hose sold separately.

60" Stretchable Metal Hand Shower Hose:

- Double spiral constructed hose.

Swivel Water Supply Elbow and Bracket for Hand Shower:

- 1/2" Female wall connection.
- 1/2" Male hose connection.
- Brass inlet/outlet, ABS body.

3-Way In-Wall Diverter Rough-In Valve - 3/4":

- For installations only requiring 2 outlets, the 3rd outlet may be looped into one of the existing pipes.

REVISED 1/15/2024