

# BEASLEY PRESSURE BALANCE SYSTEM

SKU: 953956

Code: SHBE80102, SH4001, SHRSA123, SHRSB820RG



## FEATURES

Material: Metal

Shower Head Swivel: Yes

Shower Head Spray: Rainfall

Shower Head Flow Rate: 1.8 gpm (6.8 L/min) @ 80 psi

Hand Shower Spray: Full, Massage, Massage + Full

Hand Shower Flow Rate: 1.8 gpm (6.8 L/min) @ 80 psi

Connection Type: 1/2" MIP and SWT

Cartridge Type: Ceramic Disc

ASME A112.18.1/CSA B125.1, ASSE 1016 Type P, CEC Listed, WaterSense by IAPMO, Massachusetts Accepted, LISTED ID: SH4001, SHRSB820RG\*, SHRSA123\*, SHBE80102\*



## ADDITIONAL FEATURES

Pressure Balance Shower Valve Trim:

- Metal lever handle.

Pressure Balance Tub & Shower Rough-In Valve:

- Pressure balance valve with integral stops.
- Ceramic disc valve cartridge.
- Cast bronze valve body.

12" Wall-Mount Rainfall Shower Arm

- Solid brass construction.
- Escutcheon included.

8" Modern Round Rainfall Shower Head - 1.8 GPM:

- Single function shower head (full spray).
- Brass ball joint.

REVISED 8/30/2024

# BEASLEY PRESSURE BALANCE SHOWER VALVE

SKU: 948689

Code: SHBE80102, SH4001



## FEATURES

Material: Brass

Required for Installation: Rough-in valve: SH4001

ASME A112.18.1/CSA B125.1, ASSE 1016 Type P, Massachusetts Accepted, LISTED ID: SH4001, SHBE80102\*



## ADDITIONAL FEATURES

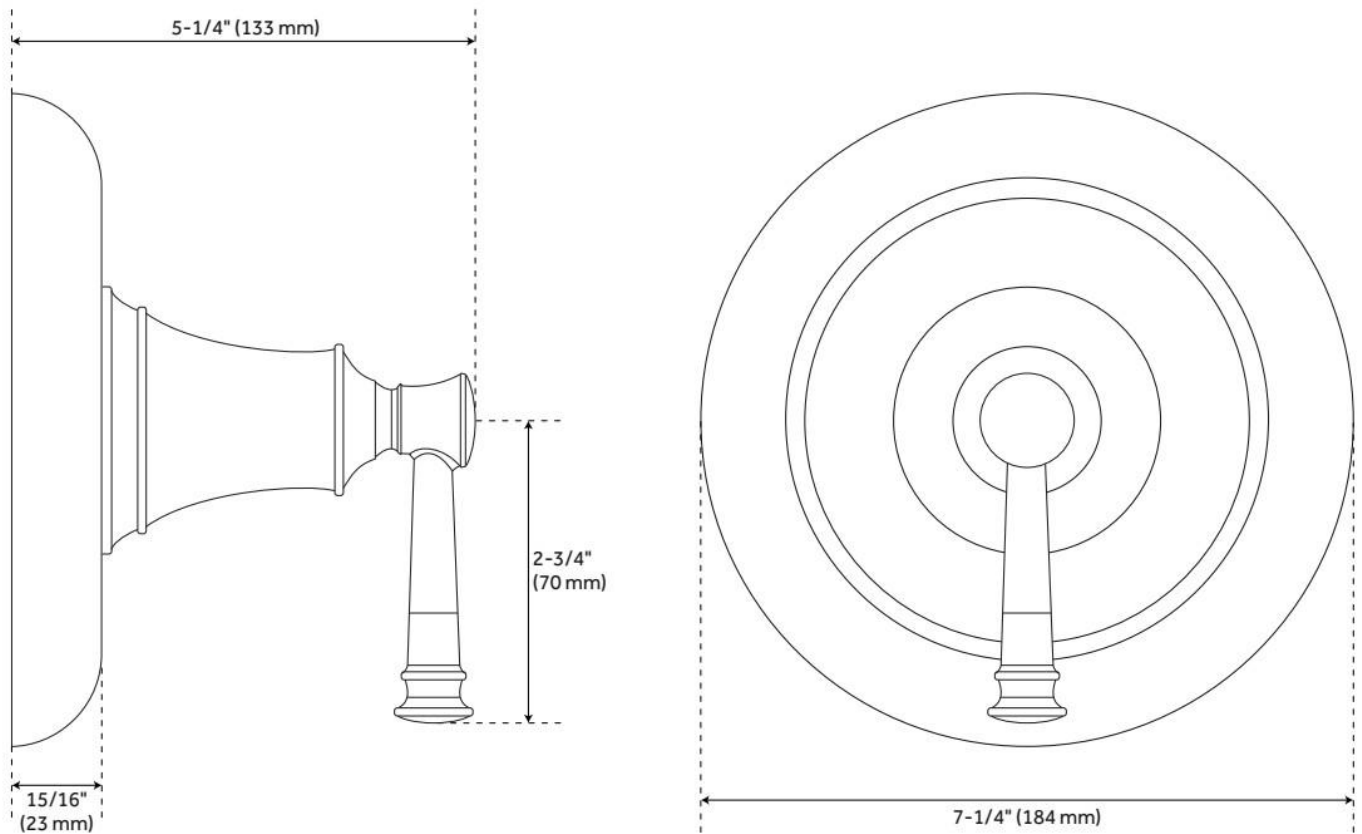
- Metal lever handle.
- Optional Rough-in Valve:
  - Pressure balance valve with integral stops.
  - One-piece cartridge design for ease of maintenance.
  - Back-to-back capability.
  - Ceramic disc valve cartridge.
  - Cast bronze valve body.
  - Adjustable temperature limit stop.
  - Quick remove plaster guard.
  - Easy mounting brackets.

REVISED 6/11/2024

# BEASLEY PRESSURE BALANCE SHOWER VALVE

SKU: 948689

Code: SHBE80102, SH4001



REVISED 6/11/2024

# 8" MODERN ROUND RAINFALL SHOWER HEAD - 1.75 GPM

SKU: 948948-18

Code: SHRSB820RG, SH484203, SH485499, SHRSB820RGPB



## FEATURES

Material: ABS

Shower Head Swivel: Yes

Flow Rate: 1.75 gpm (6.6 L/min) @ 80 psi

ASME A112.18.1/CSA B125.1, CEC Listed, WaterSense by IAPMO, Massachusetts Accepted, LISTED ID:  
SHRSB820RG\*



## ADDITIONAL FEATURES

- Single function shower head (full spray).
- Easy clean rubber nozzles.
- Brass ball joint.

REVISED 11/22/2024

# 8" MODERN ROUND RAINFALL SHOWER HEAD - 1.75 GPM



All dimensions and specifications are nominal and may vary. Use actual products for accuracy in critical situations.

# WALL-MOUNT RAINFALL SHOWER ARM

SKU: 948955

Code: SHRSA123, SHRSA181, SH485514, SHRSA150

## FEATURES

Material: Stainless Steel

Connection Type: 1/2" NPT



ASME A112.18.1/CSA B125.1, Massachusetts Accepted, LISTED ID: SHRSA123\*, SHRSA181\*, SHRSA150\*



## ADDITIONAL FEATURES

- All dimensions are ( $\pm 1/2"$ ).
- Escutcheon included.

REVISED 6/10/2024

# WALL-MOUNT RAINFALL SHOWER ARM

SKU: 948955

Code: SHRSA123, SHRSA181, SH485514, SHRSA150



REVISED 6/10/2024

# PRESSURE BALANCE TUB & SHOWER ROUGH-IN VALVE

SKU: 446520  
Code: SH4001



## FEATURES

Material: Brass  
Flow Rate: 6.34 gpm (24.0 L/min) @ 80 psi  
Connection Type: 1/2" MIP and SWT  
Cartridge Type: Ceramic Disc

IAPMO, ASME A112.18.1/CSA B125.1, ASSE 1016 Type P, Massachusetts Accepted, LISTED ID: SH4001



## ADDITIONAL FEATURES

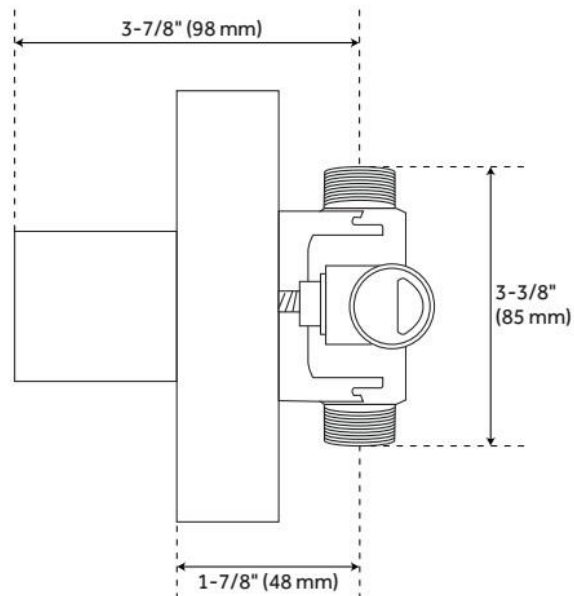
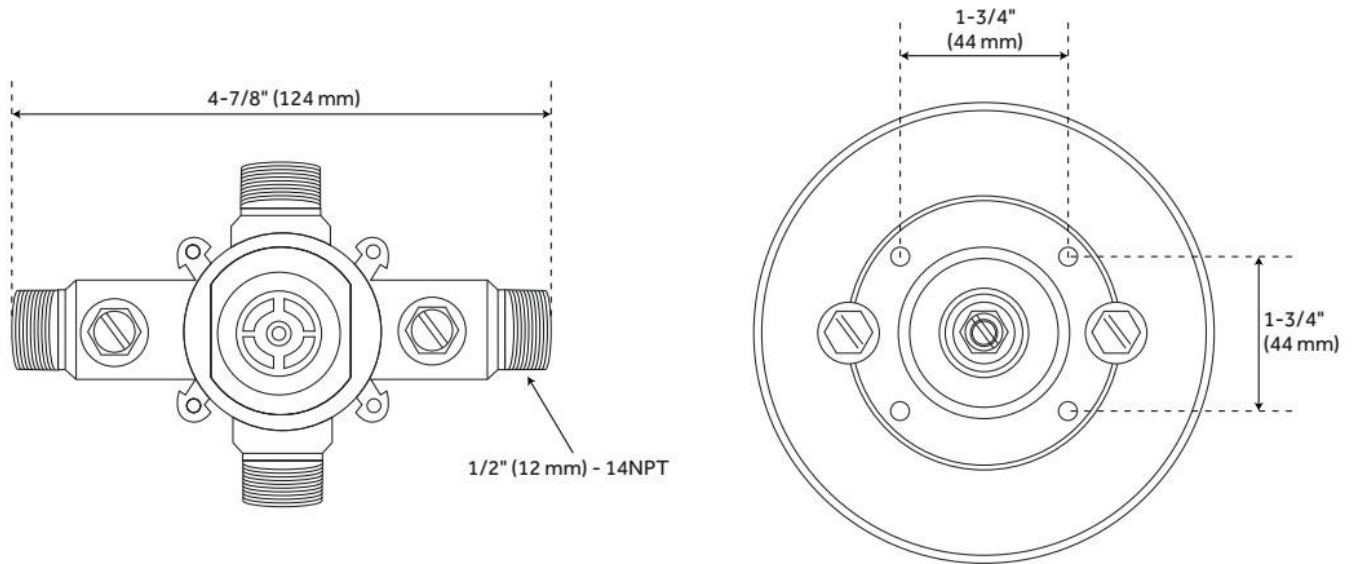
- Pressure balance valve with integral stops.
- One-piece ceramic cartridge design for ease of maintenance.
- Back-to-back capability
- Adjustable temperature limit stop.
- Quick remove plaster guard and easy mounting brackets.

REVISED 11/27/2024



# PRESSURE BALANCE TUB & SHOWER ROUGH-IN VALVE

SKU: 446520  
Code: SH4001



REVISED 11/27/2024