

# BEASLEY PRESSURE BALANCE SHOWER SYSTEM WITH HAND SHOWER

SKU: 953959

Code: SHBE80102, SH4001, SHRSA123, SHRSB820RG, SHHS4090G, SHH1010, SHWES2050, SHBE90052, SH6103



## FEATURES

Material: Metal, ABS

Shower Head Swivel: Yes

Shower Head Spray: Rainfall

Shower Head Flow Rate: 1.75 gpm (6.6 L/min) @ 80 psi

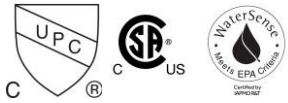
Hand Shower Spray: Full, Massage, Massage + Full

Hand Shower Flow Rate: 1.8 gpm (6.8 L/min) @ 80 psi

Diverter Outlets: 3

Cartridge Type: Ceramic Disc

ASME A112.18.1/CSA B125.1, ASME A112.18.2/CSA B125.2, ASSE 1016 Type P, CEC Listed, WaterSense by IAPMO, Massachusetts Accepted, LISTED ID: SH6103, SH4001, SHH1010\*, SHWES2050xy, SHRSA123\*, SHBE80102\*, SHBE90052\*, SHHS4090G\*, SHRSB820RG\*, SHHS4090G\*\*



REVISED 2/10/2025

# BEASLEY PRESSURE BALANCE SHOWER SYSTEM WITH HAND SHOWER

SKU: 953959

Code: SHBE80102, SH4001, SHRSA123, SHRSB820RG, SHHS4090G, SHH1010, SHWES2050, SHBE90052, SH6103

## ADDITIONAL FEATURES

### Pressure Balance Shower Valve Trim:

Metal lever handle.

### Pressure Balance Tub & Shower Rough-In Valve:

Pressure balance valve with integral stops.

Cast bronze valve body.

### 12" Wall-Mount Rainfall Shower Arm:

Solid brass construction.

Escutcheon included.

### 8" Modern Round Rainfall Shower Head

Single function shower head (full spray),

### Hand Shower:

3 function hand shower (full spray, massage spray, full & massage spray).

Factory installed backflow prevention check valve.

### 60" Stretchable Metal Hand Shower Hose:

Double spiral constructed hose.

### Swivel Water Supply Elbow and Bracket for Hand Shower:

1/2" Female wall connection.

1/2" Male hose connection.

Brass inlet/outlet, ABS body.

### In-Wall Shower Diverter Trim:

Metal handle.

Metal Escutcheon.

### 3-Way In-Wall Diverter Rough-In Valve - 3/4":

For installations only requiring 2 outlets, the 3rd outlet may be looped into one of the existing pipes.

REVISED 02/10/2024

# BEASLEY PRESSURE BALANCE SHOWER VALVE

SKU: 948689

Code: SHBE80102, SH4001



## FEATURES

Material: Brass

Required for Installation: Rough-in valve: SH4001

ASME A112.18.1/CSA B125.1, ASSE 1016 Type P, Massachusetts Accepted, LISTED ID: SH4001, SHBE80102\*



## ADDITIONAL FEATURES

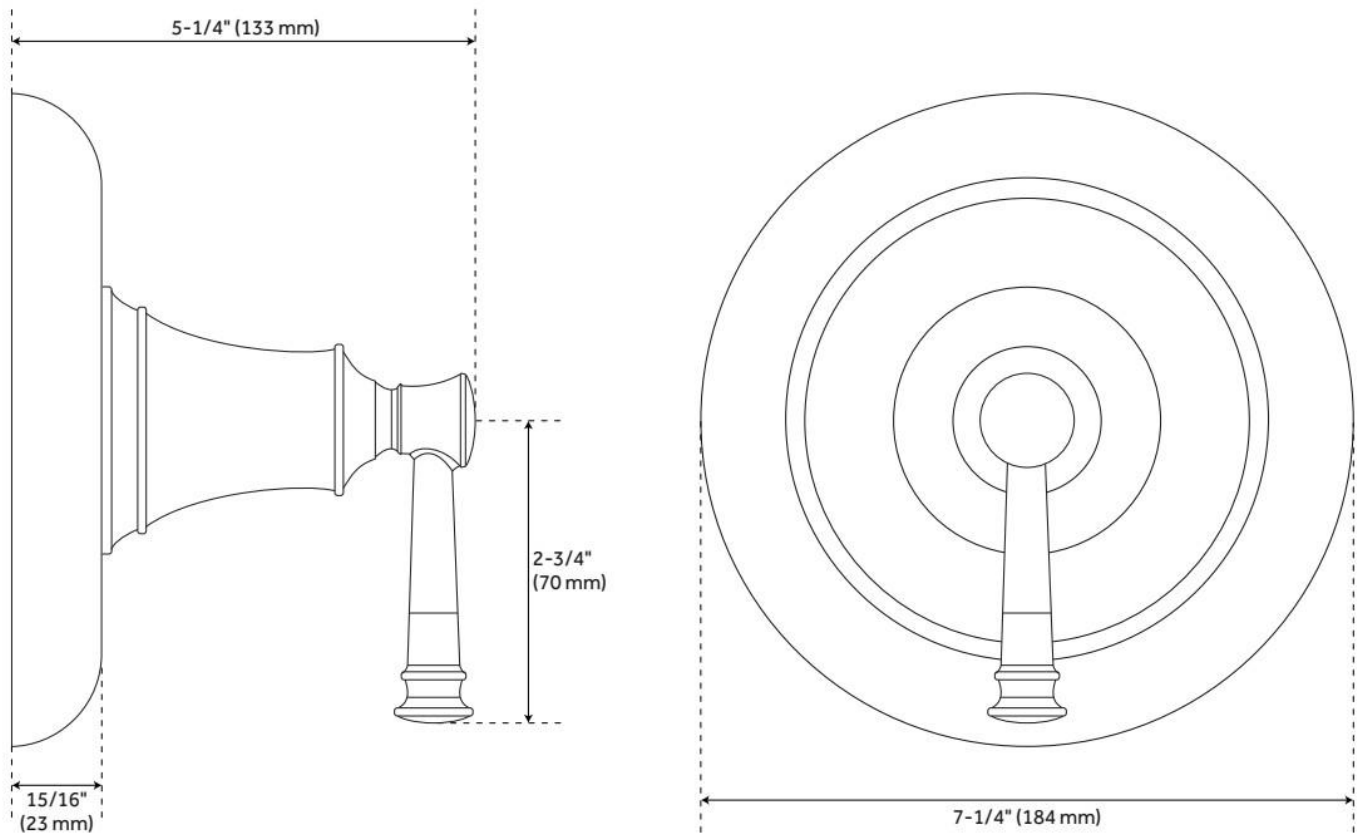
- Metal lever handle.
- Optional Rough-in Valve:
  - Pressure balance valve with integral stops.
  - One-piece cartridge design for ease of maintenance.
  - Back-to-back capability.
  - Ceramic disc valve cartridge.
  - Cast bronze valve body.
  - Adjustable temperature limit stop.
  - Quick remove plaster guard.
  - Easy mounting brackets.

REVISED 6/11/2024

# BEASLEY PRESSURE BALANCE SHOWER VALVE

SKU: 948689

Code: SHBE80102, SH4001



REVISED 6/11/2024

# BEASLEY IN-WALL SHOWER DIVERTER

SKU: 948692

Code: SHBE90052, SH6103



## FEATURES

Material: Brass

Required for Installation: Rough-in valve: SH6103 or SH6101

ASME A112.18.1/CSA B125.1, ASME A112.18.2/CSA B125.2, ICC/ANSI A117.1, Massachusetts Accepted, LISTED ID: SH6103, SHBE90052\*



## ADDITIONAL FEATURES

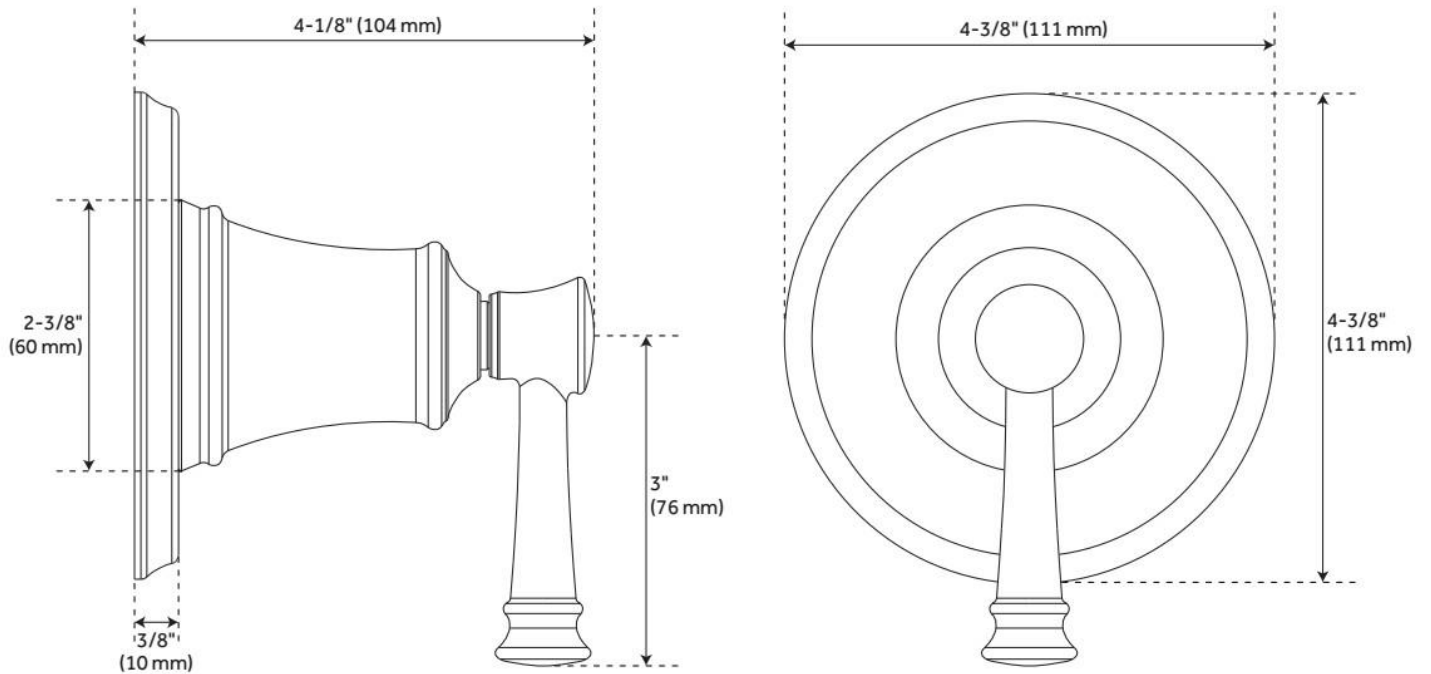
- Metal handle.
- Metal Escutcheon.
- Not intended as a shut off valve.
- Six total settings allow for shared water flow between outlets, giving you the ability to use two functions at once.
- Optional Rough-in Valve:
  - Available Single-Function Diverter Valve Cartridge restricts water flow to one outlet at a time.
  - Brass valve body.
  - Ceramic cartridge.
  - Must be installed in accordance with provided installation instructions.

REVISED 6/11/2024

# BEASLEY IN-WALL SHOWER DIVERTER

SKU: 948692

Code: SHBE90052, SH6103



REVISED 6/11/2024

# 8" MODERN ROUND RAINFALL SHOWER HEAD - 1.75 GPM

SKU: 948948-18

Code: SHRSB820RG, SH484203, SH485499, SHRSB820RGPB



## FEATURES

Material: ABS

Shower Head Swivel: Yes

Flow Rate: 1.75 gpm (6.6 L/min) @ 80 psi

ASME A112.18.1/CSA B125.1, CEC Listed, WaterSense by IAPMO, Massachusetts Accepted, LISTED ID:  
SHRSB820RG\*

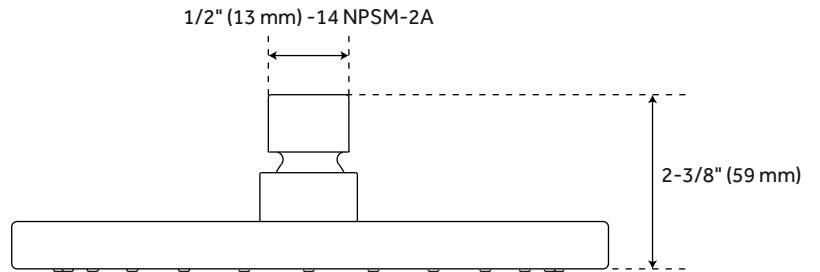
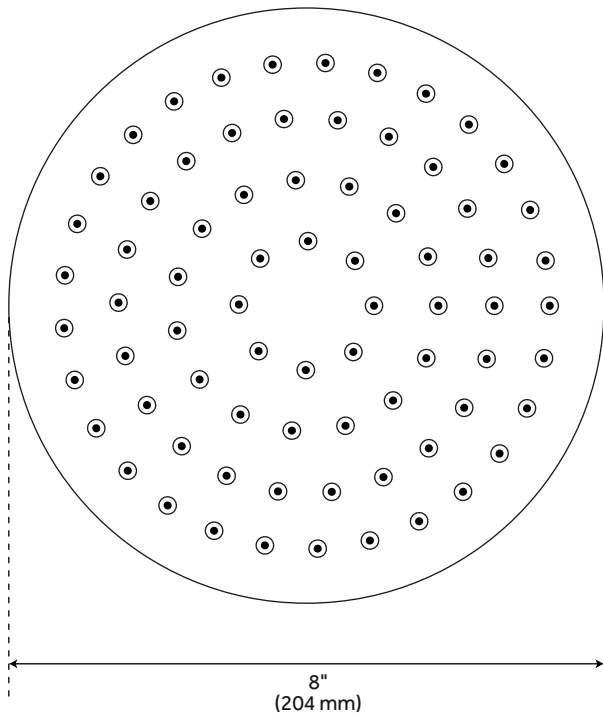


## ADDITIONAL FEATURES

- Single function shower head (full spray).
- Easy clean rubber nozzles.
- Brass ball joint.

REVISED 11/22/2024

# 8" MODERN ROUND RAINFALL SHOWER HEAD - 1.75 GPM



All dimensions and specifications are nominal and may vary. Use actual products for accuracy in critical situations.



# WALL-MOUNT RAINFALL SHOWER ARM

SKU: 948955

Code: SHRSA123, SHRSA181, SH485514, SHRSA150

## FEATURES

Material: Stainless Steel

Connection Type: 1/2" NPT



ASME A112.18.1/CSA B125.1, Massachusetts Accepted, LISTED ID: SHRSA123\*, SHRSA181\*, SHRSA150\*



## ADDITIONAL FEATURES

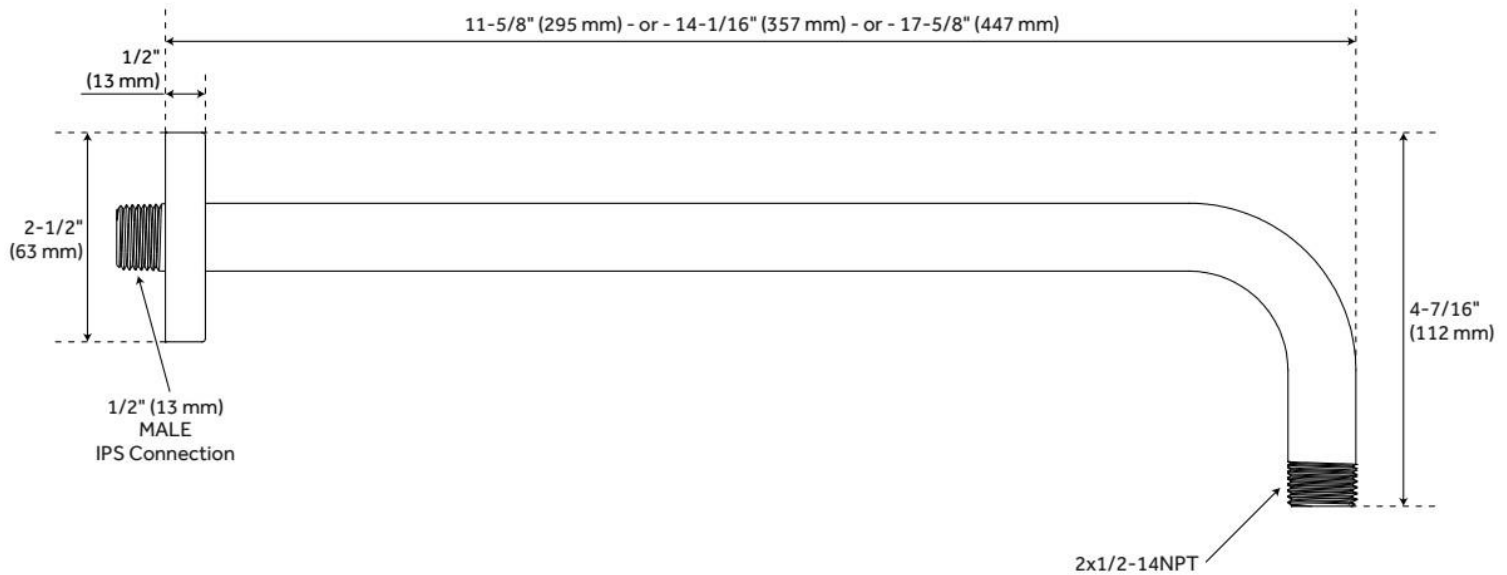
- All dimensions are ( $\pm 1/2$ ").
- Escutcheon included.

REVISED 6/10/2024

# WALL-MOUNT RAINFALL SHOWER ARM

SKU: 948955

Code: SHRSA123, SHRSA181, SH485514, SHRSA150



REVISED 6/10/2024

# PINECREST HAND SHOWER

SKU: 948929  
Code: SHHS4090G

## FEATURES

Material: ABS  
Hand Shower Spray: Full  
Hand Shower Flow Rate: 1.8 gpm (6.8 L/min) @ 80 psi



ASME A112.18.1/CSA B125.1, CEC Listed, WaterSense by IAPMO, Massachusetts Accepted, LISTED ID: SHHS4090G\*, SHHS4090G\*\*



## ADDITIONAL FEATURES

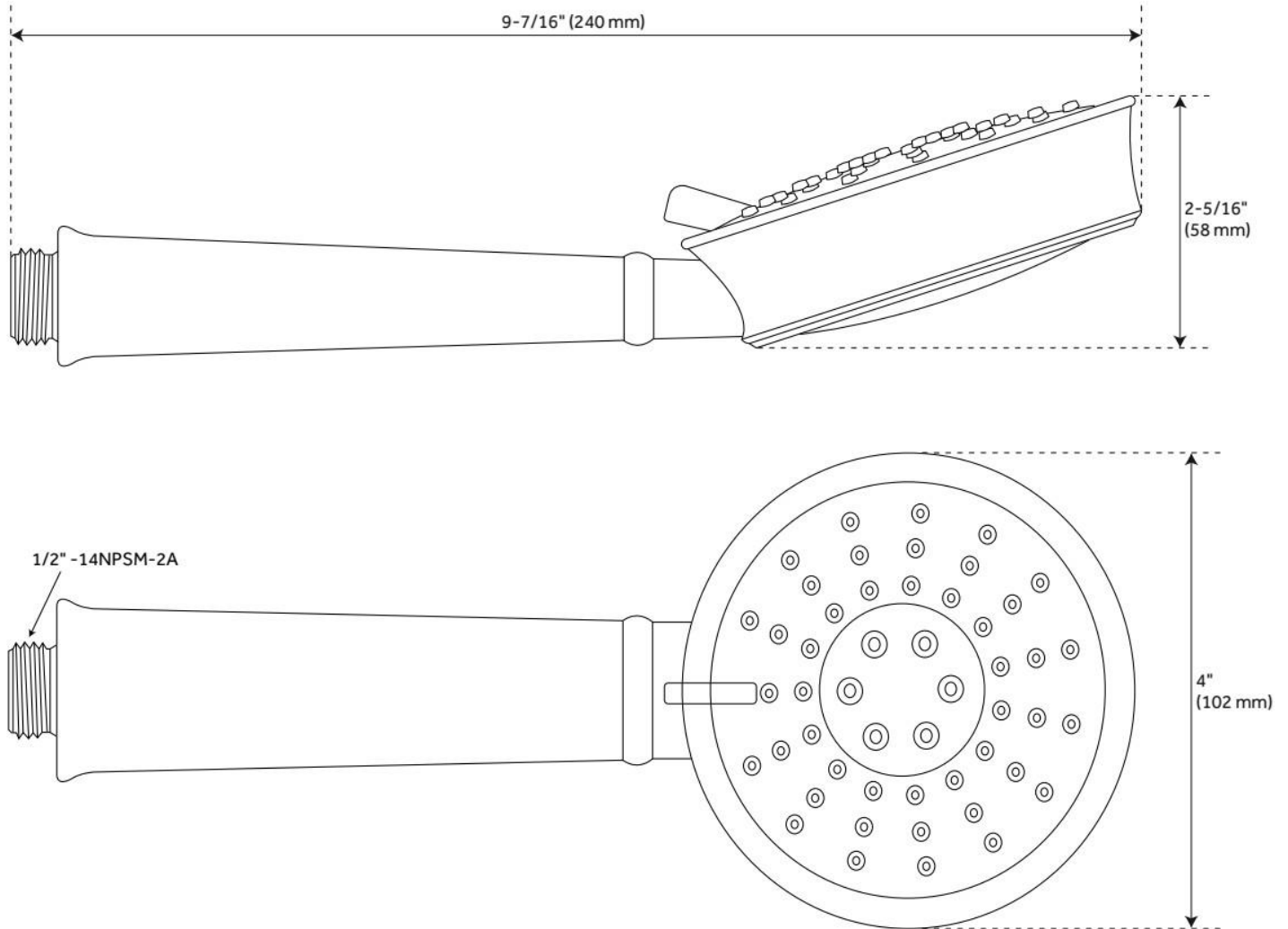
- 3 function hand shower (full spray, massage spray, full & massage spray).
- Easy-clean spray nozzles.
- Factory installed backflow prevention check valve.
- Hose sold separately.

REVISED 5/24/2024

# PINECREST HAND SHOWER

SKU: 948929

Code: SHHS4090G



REVISED 5/24/2024

# SWIVEL WATER SUPPLY ELBOW AND BRACKET FOR HAND SHOWER

SKU: 948936

Code: SHWES2050, SH485446, SH485535

## FEATURES

Material: Metal, ABS

Connection Type: 1/2" NPT



ASME A112.18.1/CSA B125.1, LISTED ID: SHWES2050xy



## ADDITIONAL FEATURES

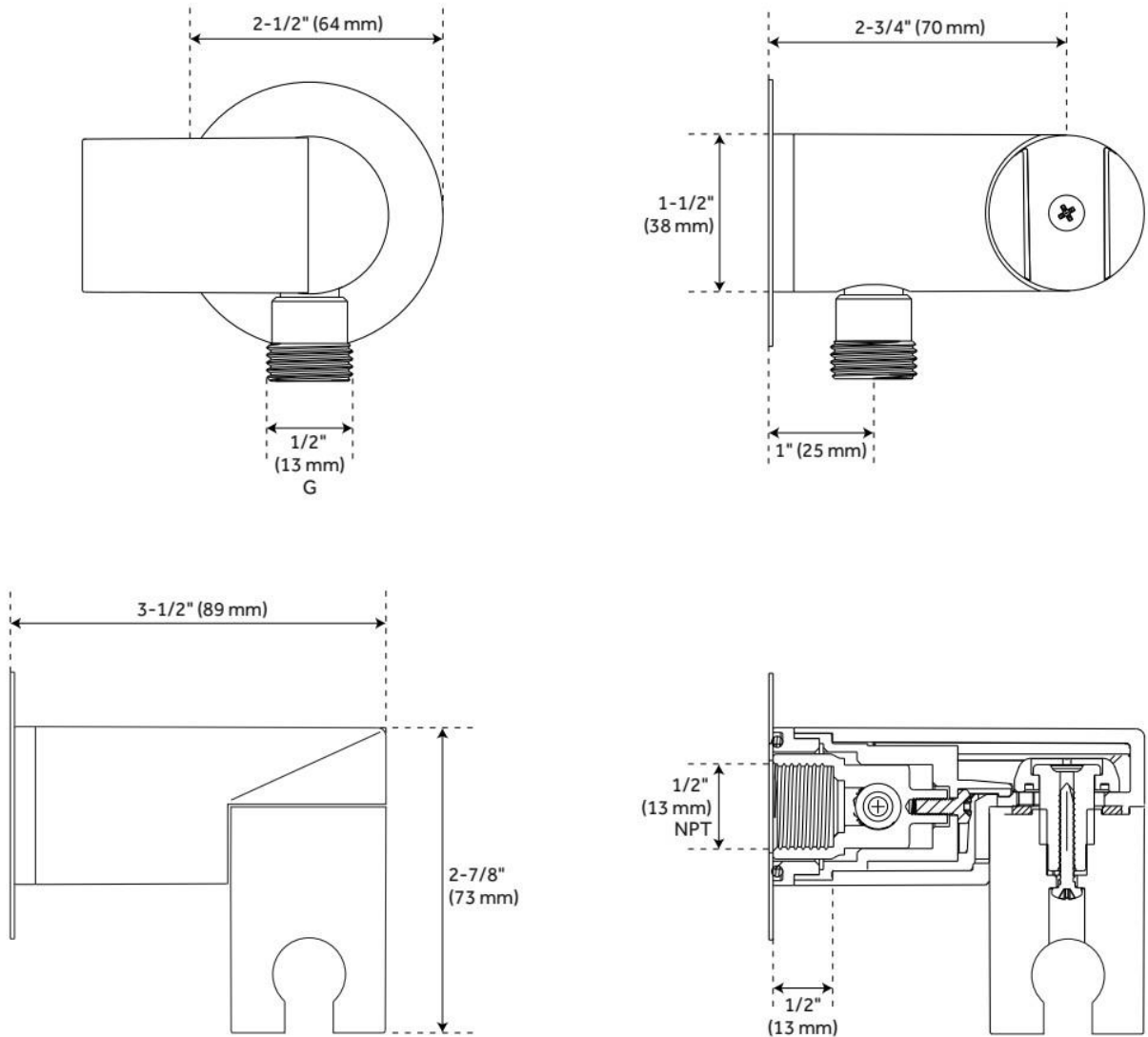
- 1/2" Female wall connection.
- 1/2" Male hose connection.
- Brass inlet/outlet, ABS body.

REVISED 5/24/2024

# SWIVEL WATER SUPPLY ELBOW AND BRACKET FOR HAND SHOWER

SKU: 948936

Code: SHWES2050, SH485446, SH485535



REVISED 5/24/2024

# 60" METAL HAND SHOWER HOSE

SKU: 948088  
Code: SHH1010

## FEATURES

Connection Type: 1/2" IPS



ASME A112.18.1/CSA B125.1, Massachusetts Accepted, LISTED ID: SHH1010\*



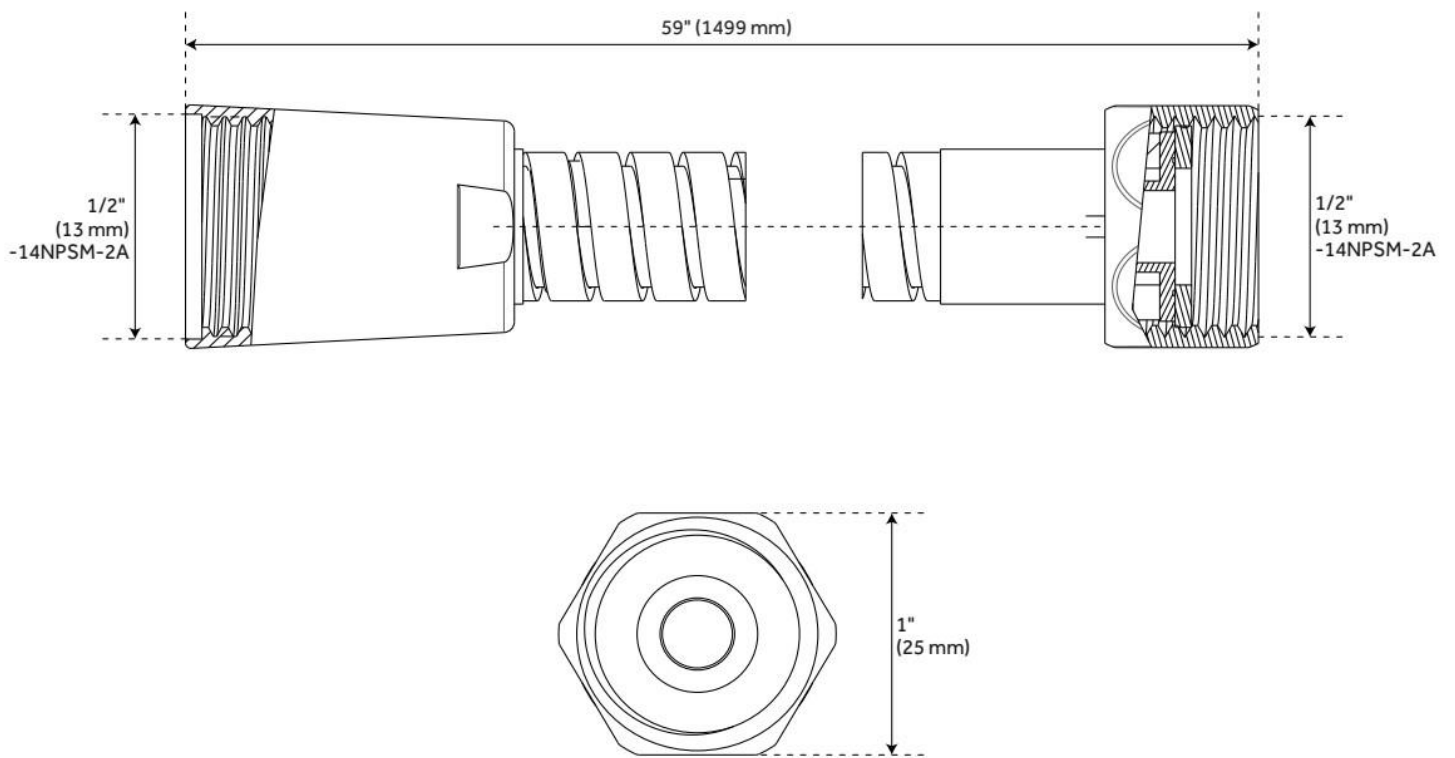
## ADDITIONAL FEATURES

- Hand Sprayer sold seperately.
- 60" - 72" stretchable metal shower hose.
- Double spiral constructed hose.

REVISED 6/11/2024

# 60" METAL HAND SHOWER HOSE

SKU: 948088  
Code: SHH1010



REVISED 6/11/2024



# 3-WAY IN-WALL DIVERTER ROUGH-IN VALVE - 3/4"

SKU: 446519  
Code: SH6103

## FEATURES

Material: Brass  
Cartridge Type: Ceramic Disc



IAPMO, ASME A112.18.1/CSA B125.1, ASME A112.18.2/CSA B125.2, Massachusetts Accepted, LISTED ID: SH6103



## ADDITIONAL FEATURES

- Six total settings allow for shared water flow between outlets, giving you the ability to use two functions at once.
- Ceramic cartridge.
- Available Single-Function Diverter Valve Cartridge restricts water flow to one outlet at a time.
- Not intended as a shut off valve.
- For installations only requiring 2 outlets, the 3rd outlet may be looped into one of the existing pipes.
- Compatible with Beasley, Berwyn, Boca Raton, Drea, Edenton, Elita, Greyfield, Gunther, Hibiscus, Key West, Lentz, Lexia, Pendleton, Pinecrest, Provincetown, Rigi, Sefina, Vassor and Vilamonte Diverter Trims.

REVISED 10/14/2024



# PRESSURE BALANCE TUB & SHOWER ROUGH-IN VALVE

SKU: 446520  
Code: SH4001



## FEATURES

Material: Brass  
Flow Rate: 6.34 gpm (24.0 L/min) @ 80 psi  
Connection Type: 1/2" MIP and SWT  
Cartridge Type: Ceramic Disc

IAPMO, ASME A112.18.1/CSA B125.1, ASSE 1016 Type P, Massachusetts Accepted, LISTED ID: SH4001



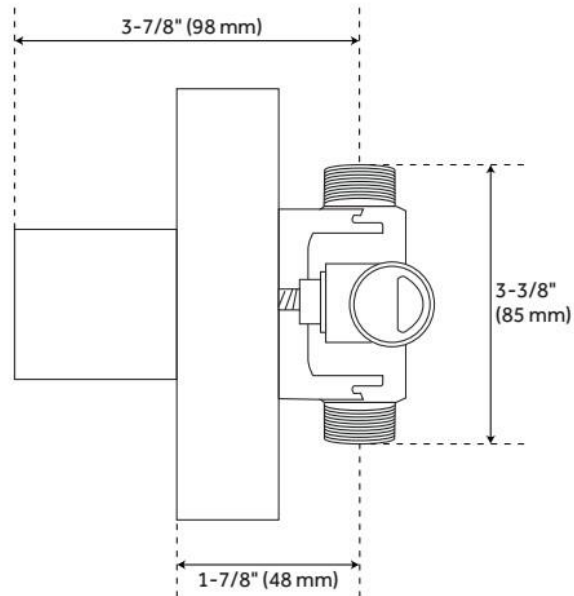
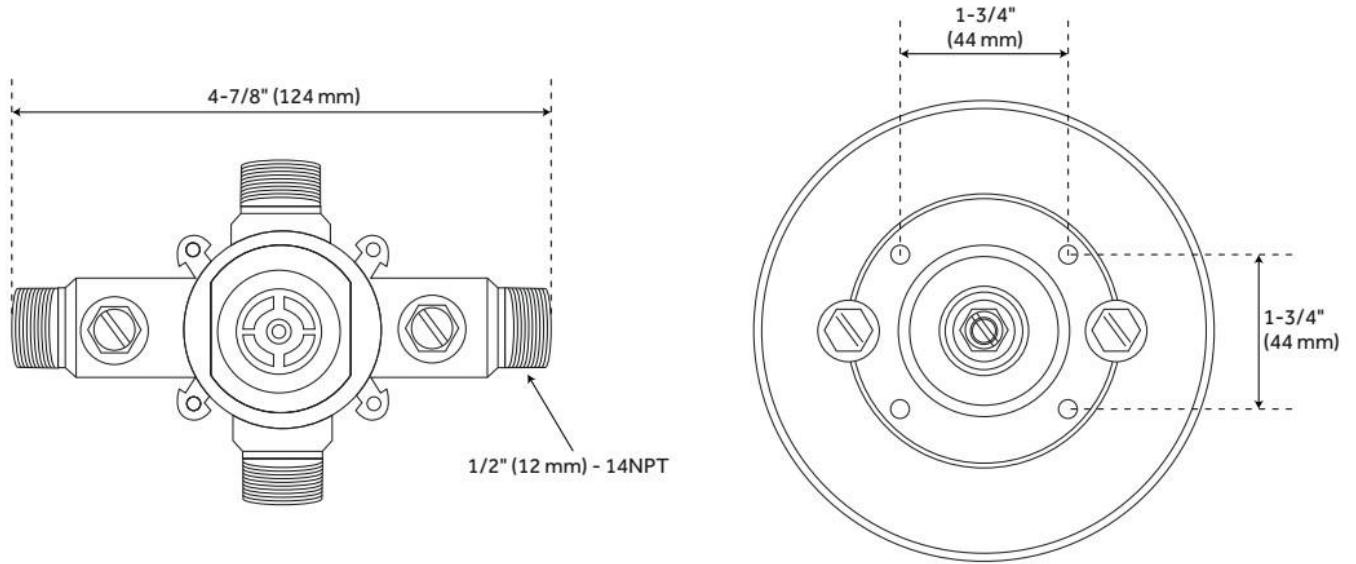
## ADDITIONAL FEATURES

- Pressure balance valve with integral stops.
- One-piece ceramic cartridge design for ease of maintenance.
- Back-to-back capability
- Adjustable temperature limit stop.
- Quick remove plaster guard and easy mounting brackets.

REVISED 11/27/2024

# PRESSURE BALANCE TUB & SHOWER ROUGH-IN VALVE

SKU: 446520  
Code: SH4001



REVISED 11/27/2024