

BEASLEY THERMOSTATIC SHOWER SYSTEM WITH DUAL SHOWERHEADS AND HAND SHOWER

SKU: 953962

Code: SHBE9009, SH6006, SHRSA123, SHRSB820RG, SHHS4090G, SHH1010, SHWES2050, SHBE90052, SH6103, SHBE9007, SH6040, SHWE2040, SHSB3010



FEATURES

Material: Metal, ABS

Shower Head Swivel: Yes

Hand Shower Spray: Full, Massage, Massage + Full

Hand Shower Flow Rate: 1.8 gpm (6.8 L/min) @ 80 psi

Connection Type: 3/4" NPT

Diverter Outlets: 3

Cartridge Type: Thermostatic

ASME A112.18.1/CSA B125.1, ASME A112.18.2/CSA B125.2, CEC Listed, WaterSense by IAPMO, Massachusetts Accepted, LISTED ID: SHBE9007*, SHBE9009*, SH6103, SHH1010*, SHHS4090G*, SH6006, SH6040, SHRSB820RG*, SHWES2050xy, SHRSA123*, SHBE90052*, SHHS4090G**, SHWE2040*



REVISED 6/13/2024

ÓÒËŠÒÿÁ/PÒÜT UÙVØ/ÔÀÛP UY ÒÜÀÿÙVÒT Á QPÁ ÖWESŠÀÛP UY ÒÛPÒËÖÜÁË ÖÁP Ë ÖÀÛP UY ÒÜÁ

SKU: 953962

Code: SHBE9009, SH6006, SHRSA123, SHRSB820RG, SHHS4090G, SHH1010, SHWES2050, SHBE90052, SH6103, SHBE9007, SH6040, SHWE2040, SHSB3010

ADDITIONAL FEATURES

" u o t u
.\ h
u
u
o
=
u
†
u k @† #
7
†
u #
† U k o
o
U k k o = '8hU'
o
"
h = o
-
7
=
o U = o =
)
o † o - " = o
7
U
" "o
" @† o) u
U
U
† @†) k @† " @† o † # u
.\ h
†
† # k @†
"

REVISED 10/ /2024

8" MODERN ROUND RAINFALL SHOWER HEAD - 1.8 GPM - CHROME

SKU: 948948-18

Code: SHRSB820RG, SH484203, SH485499, SHRSB820RGPB



FEATURES

Material: ABS

Shower Head Swivel: Yes

ASME A112.18.1/CSA B125.1, CEC Listed, WaterSense by IAPMO, Massachusetts Accepted, LISTED ID: SHRSB820RG*

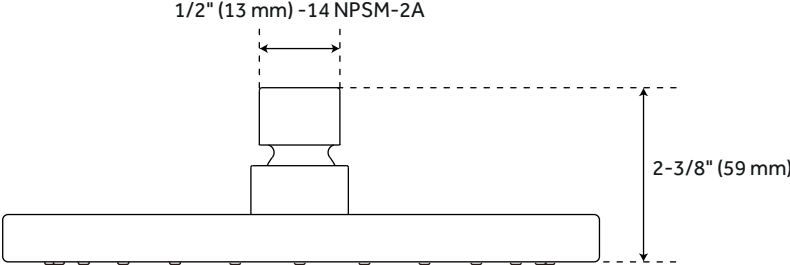
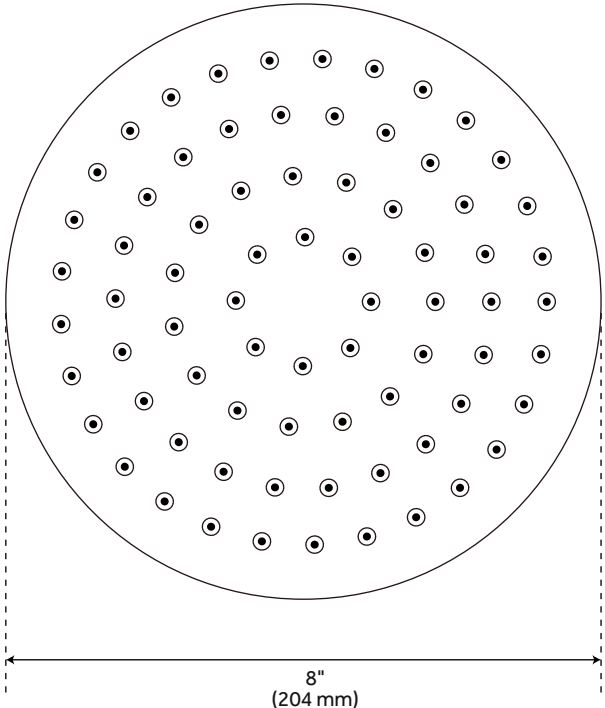


ADDITIONAL FEATURES

- Single function shower head (full spray).
- Easy clean rubber nozzles.
- Brass ball joint.

REVISED 5/24/2024

MODERN ROUND RAINFALL SHOWER HEAD - 1.8 GPM



All dimensions and specifications are nominal and may vary. Use actual products for accuracy in critical situations.

WALL-MOUNT RAINFALL SHOWER ARM

SKU: 948955

Code: SHRSA123, SHRSA181, SH485514, SHRSA150

FEATURES

Material: Stainless Steel

Connection Type: 1/2" NPT



ASME A112.18.1/CSA B125.1, Massachusetts Accepted, LISTED ID: SHRSA123*, SHRSA181*, SHRSA150*



ADDITIONAL FEATURES

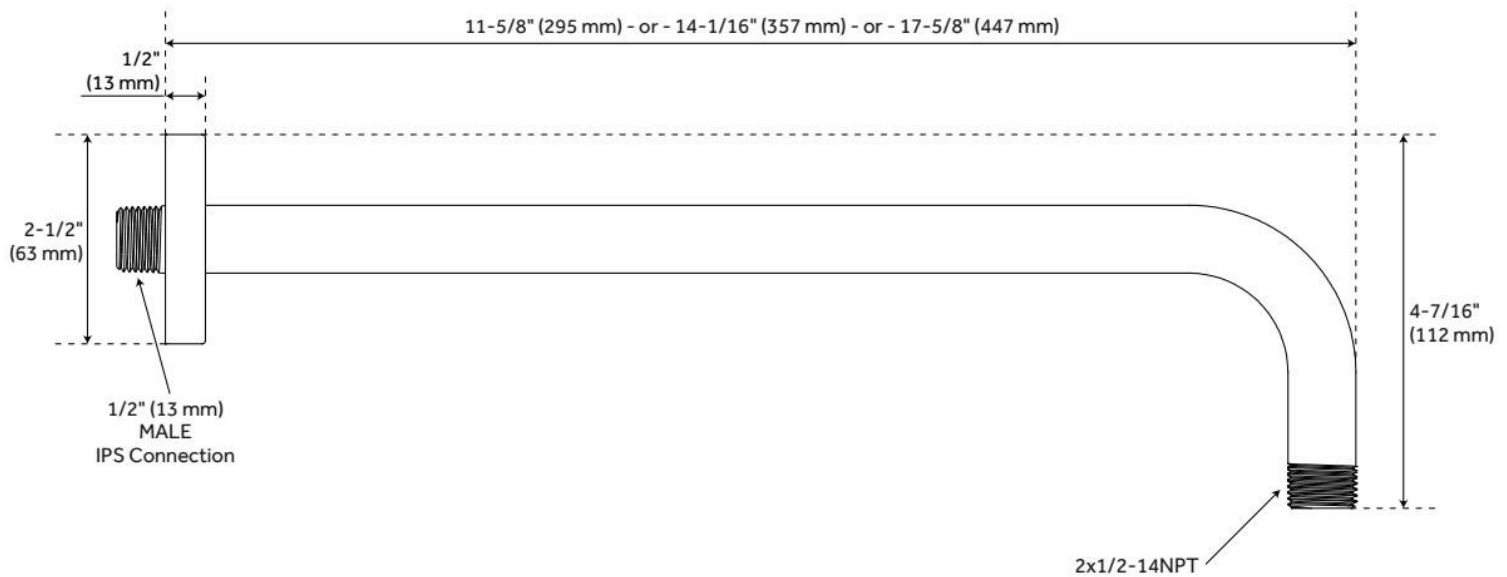
- All dimensions are ($\pm 1/2"$).
- Escutcheon included.

REVISED 6/10/2024

WALL-MOUNT RAINFALL SHOWER ARM

SKU: 948955

Code: SHRSA123, SHRSA181, SH485514, SHRSA150



REVISED 6/10/2024

PINECREST HAND SHOWER

SKU: 948929
Code: SHHS4090G

FEATURES

Material: ABS
Hand Shower Spray: Full
Hand Shower Flow Rate: 1.8 gpm (6.8 L/min) @ 80 psi



ASME A112.18.1/CSA B125.1, CEC Listed, WaterSense by IAPMO, Massachusetts Accepted, LISTED ID: SHHS4090G*, SHHS4090G**



ADDITIONAL FEATURES

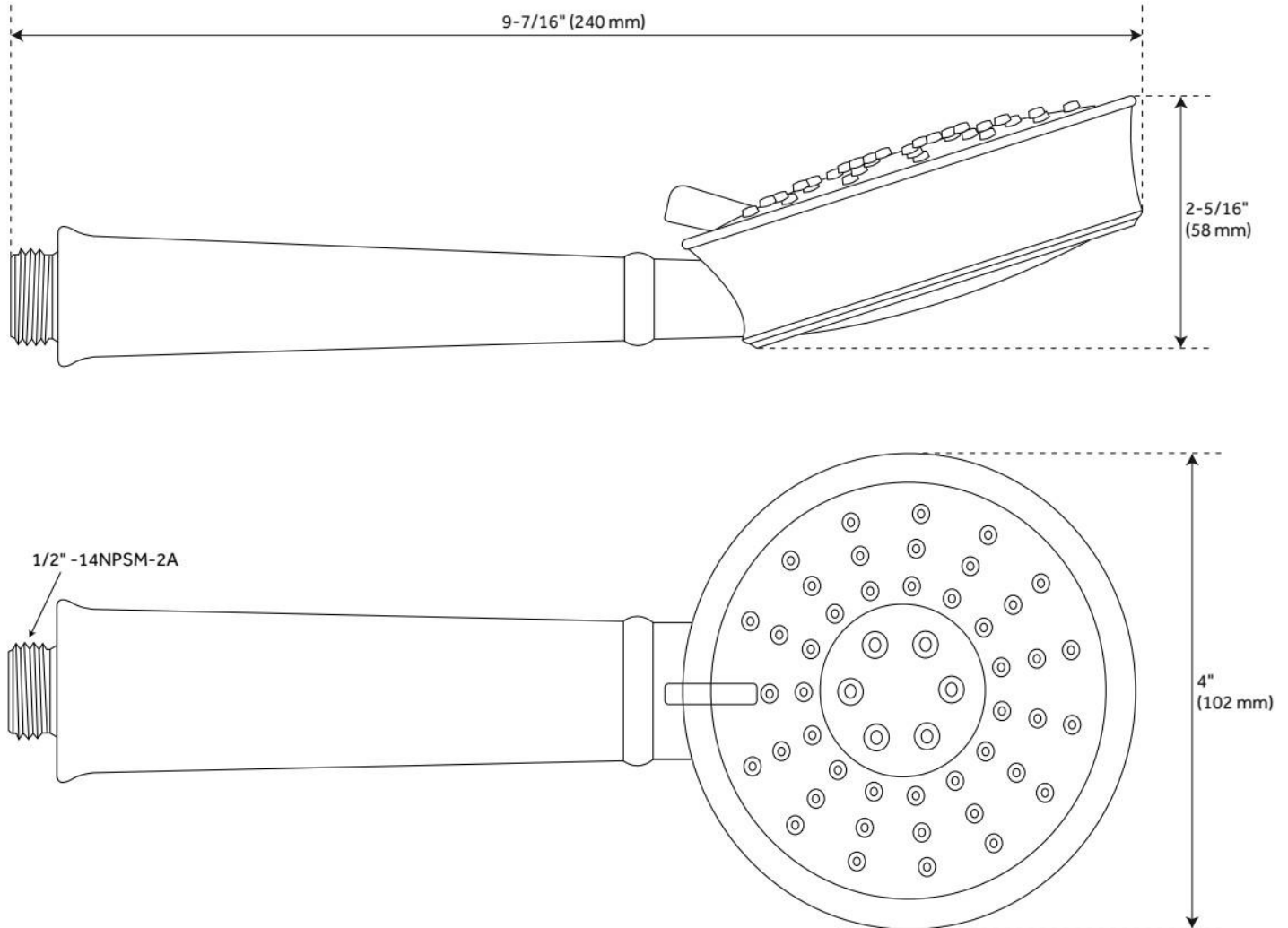
- 3 function hand shower (full spray, massage spray, full & massage spray).
- Easy-clean spray nozzles.
- Factory installed backflow prevention check valve.
- Hose sold separately.

REVISED 5/24/2024

PINECREST HAND SHOWER

SKU: 948929

Code: SHHS4090G



REVISED 5/24/2024

60" METAL HAND SHOWER HOSE

SKU: 948088
Code: SHH1010

FEATURES

Connection Type: 1/2" IPS



ASME A112.18.1/CSA B125.1, Massachusetts Accepted, LISTED ID: SHH1010*



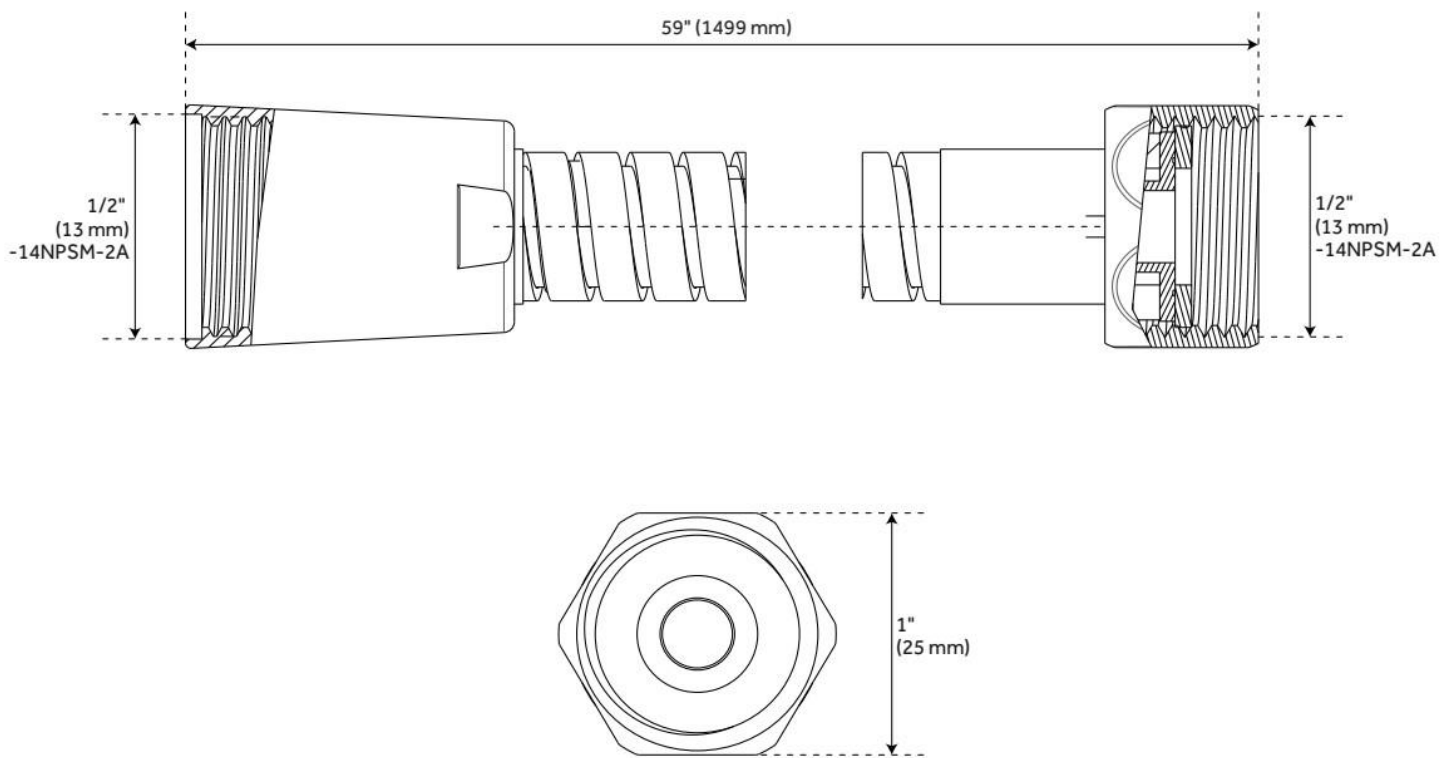
ADDITIONAL FEATURES

- Hand Sprayer sold separately.
- 60" - 72" stretchable metal shower hose.
- Double spiral constructed hose.

REVISED 6/11/2024

60" METAL HAND SHOWER HOSE

SKU: 948088
Code: SHH1010



REVISED 6/11/2024

SWIVEL WATER SUPPLY ELBOW AND BRACKET FOR HAND SHOWER

SKU: 948936

Code: SHWES2050, SH485446, SH485535

FEATURES

Material: Metal, ABS

Connection Type: 1/2" NPT



ASME A112.18.1/CSA B125.1, LISTED ID: SHWES2050xy



ADDITIONAL FEATURES

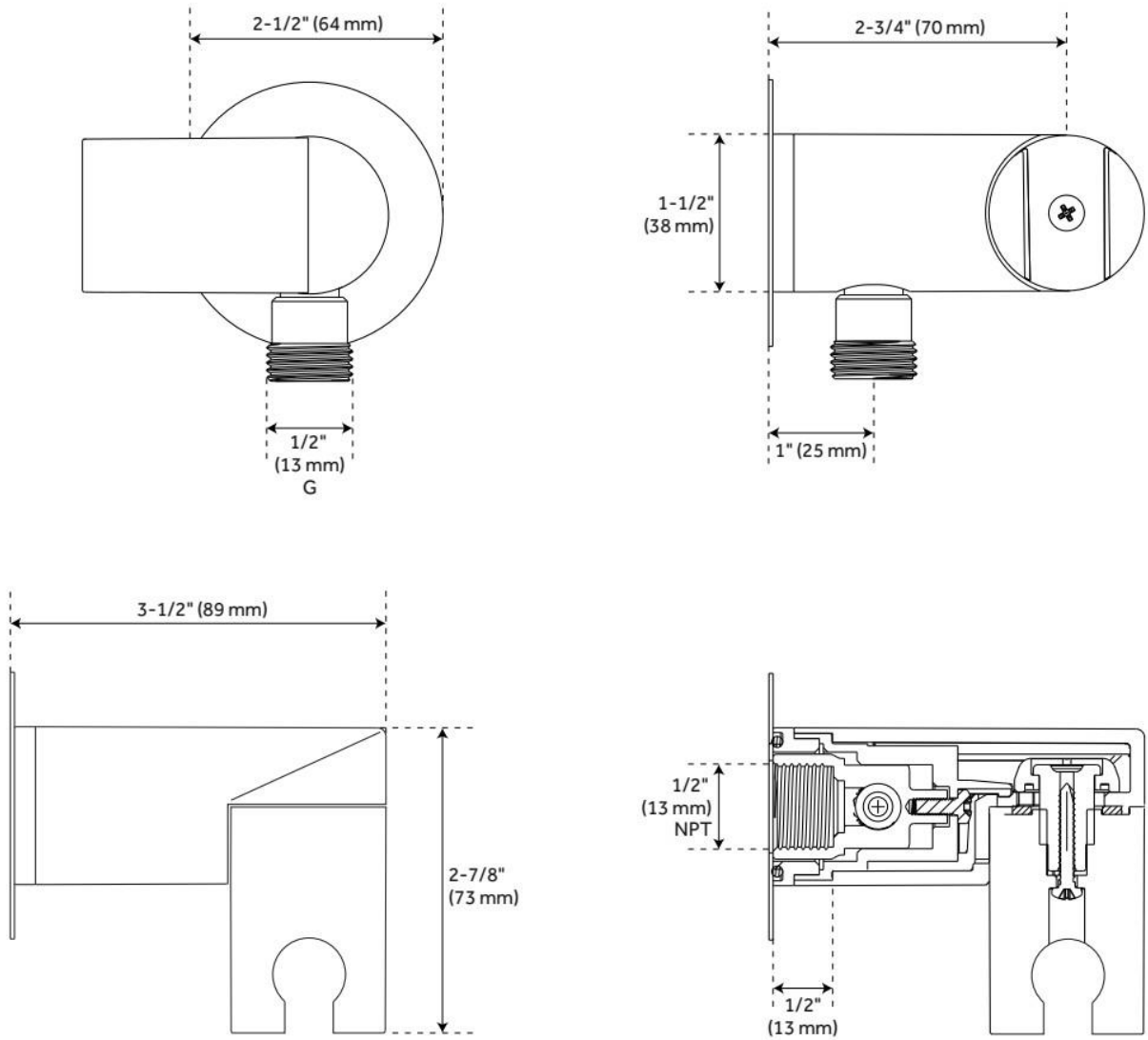
- 1/2" Female wall connection.
- 1/2" Male hose connection.
- Brass inlet/outlet, ABS body.

REVISED 5/24/2024

SWIVEL WATER SUPPLY ELBOW AND BRACKET FOR HAND SHOWER

SKU: 948936

Code: SHWES2050, SH485446, SH485535



REVISED 5/24/2024

BEASLEY IN-WALL SHOWER DIVERTER

SKU: 948692

Code: SHBE90052, SH6103



FEATURES

Material: Brass

Required for Installation: Rough-in valve: SH6103 or SH6101

ASME A112.18.1/CSA B125.1, ASME A112.18.2/CSA B125.2, ICC/ANSI A117.1, Massachusetts Accepted, LISTED ID: SH6103, SHBE90052*



ADDITIONAL FEATURES

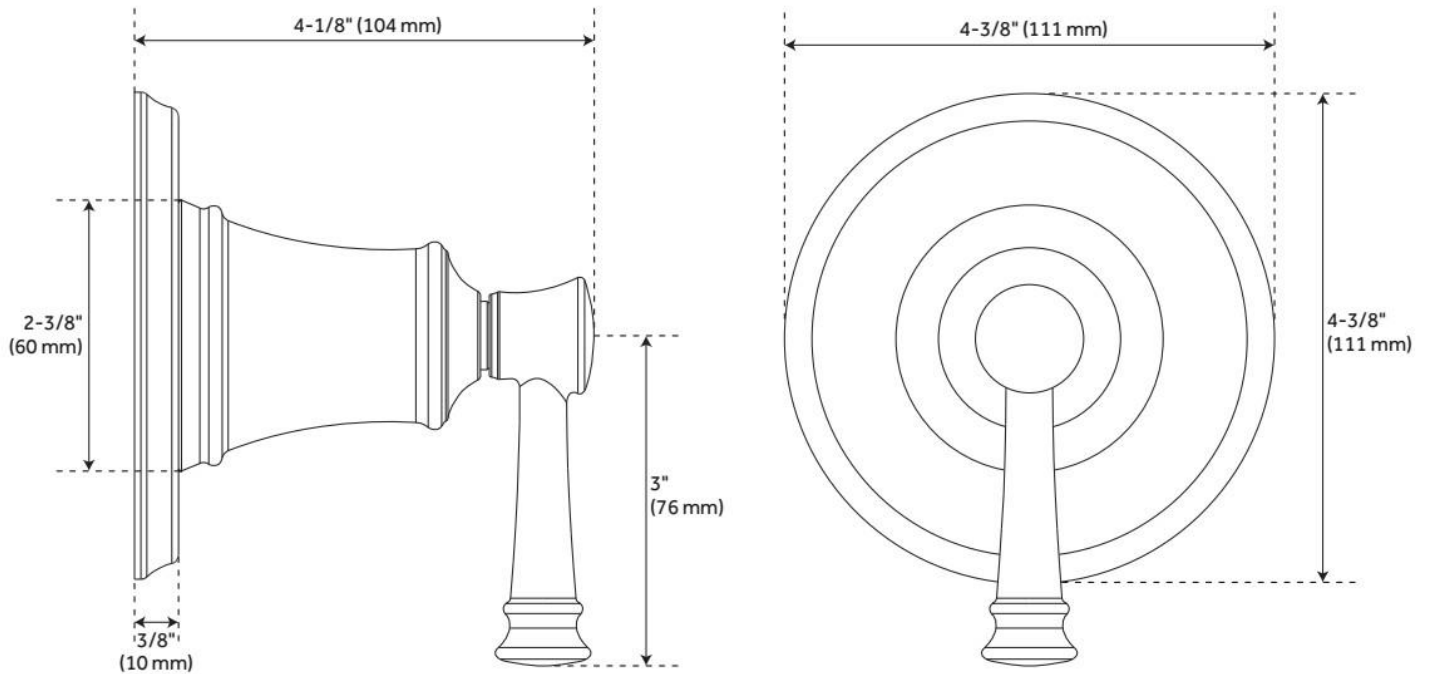
- Metal handle.
- Metal Escutcheon.
- Not intended as a shut off valve.
- Six total settings allow for shared water flow between outlets, giving you the ability to use two functions at once.
- Optional Rough-in Valve:
 - Available Single-Function Diverter Valve Cartridge restricts water flow to one outlet at a time.
 - Brass valve body.
 - Ceramic cartridge.
 - Must be installed in accordance with provided installation instructions.

REVISED 6/11/2024

BEASLEY IN-WALL SHOWER DIVERTER

SKU: 948692

Code: SHBE90052, SH6103



REVISED 6/11/2024

BEASLEY IN-WALL SHOWER VOLUME CONTROL

SKU: 948777

Code: SHBE9007, SH6020, SH6040



FEATURES

Material: Brass

Required for Installation: Rough-in valve: SH6020 or SH6040

ASME A112.18.1/CSA B125.1, ICC/ANSI A117.1, Massachusetts Accepted, LISTED ID: SHBE9007*, SH6020, SH6040



ADDITIONAL FEATURES

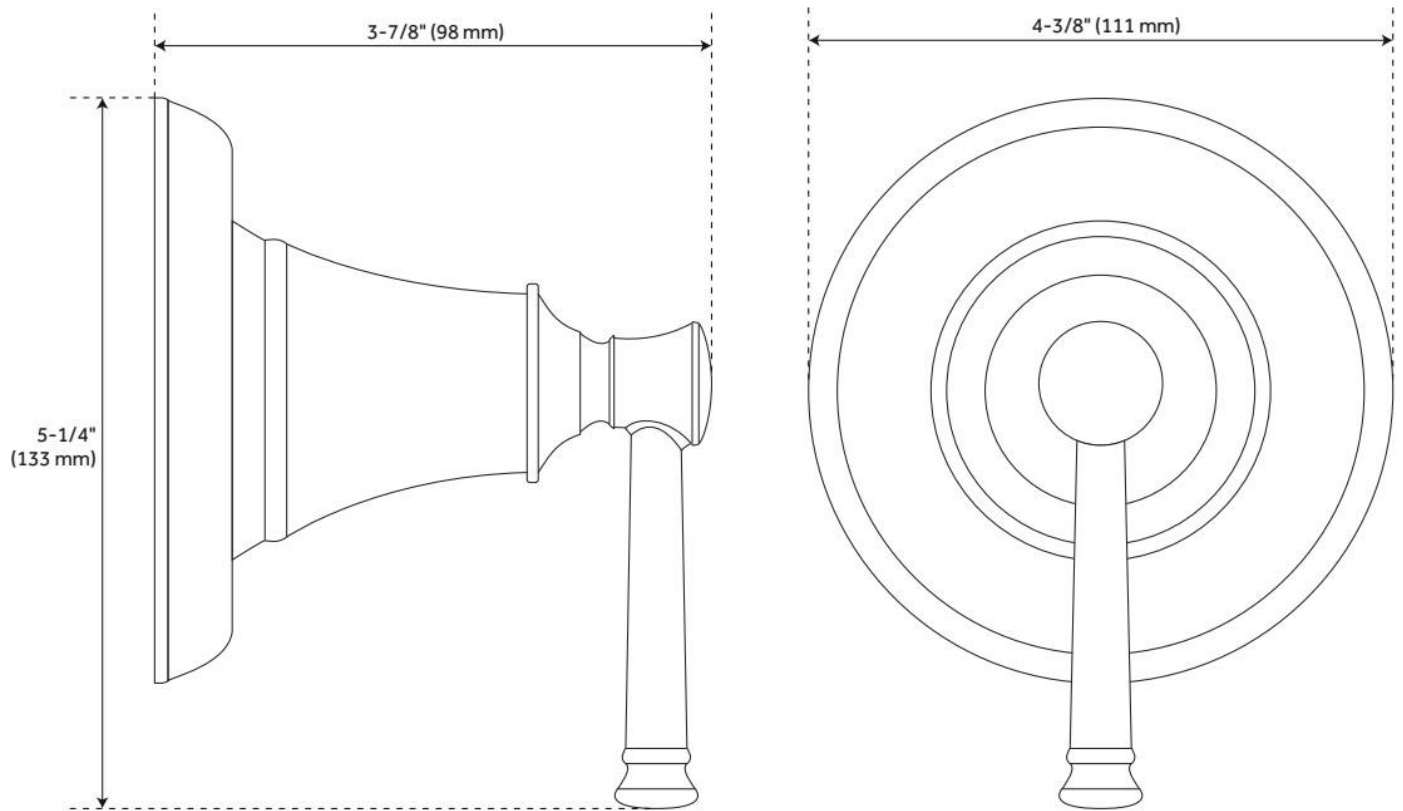
- Overall Projection: 3-7/8".
- Wall thickness range: 1" to 1-3/4".
- For proper installation, requires use of a thermostatic valve and trim.
- Optional Rough-in Valve:
 - Bronze valve body.
 - Ceramic cartridge.
 - Recommended valve installation depth 1-5/8" to 2-3/8".

REVISED 6/11/2024

BEASLEY IN-WALL SHOWER VOLUME CONTROL

SKU: 948777

Code: SHBE9007, SH6020, SH6040



REVISED 6/11/2024

BEASLEY THERMOSTATIC SHOWER VALVE

SKU: 948778

Code: SHBE9009, SH6004, SH6006



FEATURES

Material: Brass

Cartridge Type: Thermostatic

Required for Installation: Rough-in valve: SH6006 or SH6004

ASME A112.18.1/CSA B125.1, Massachusetts Accepted, LISTED ID: SHBE9009*, SH6004, SH6006



ADDITIONAL FEATURES

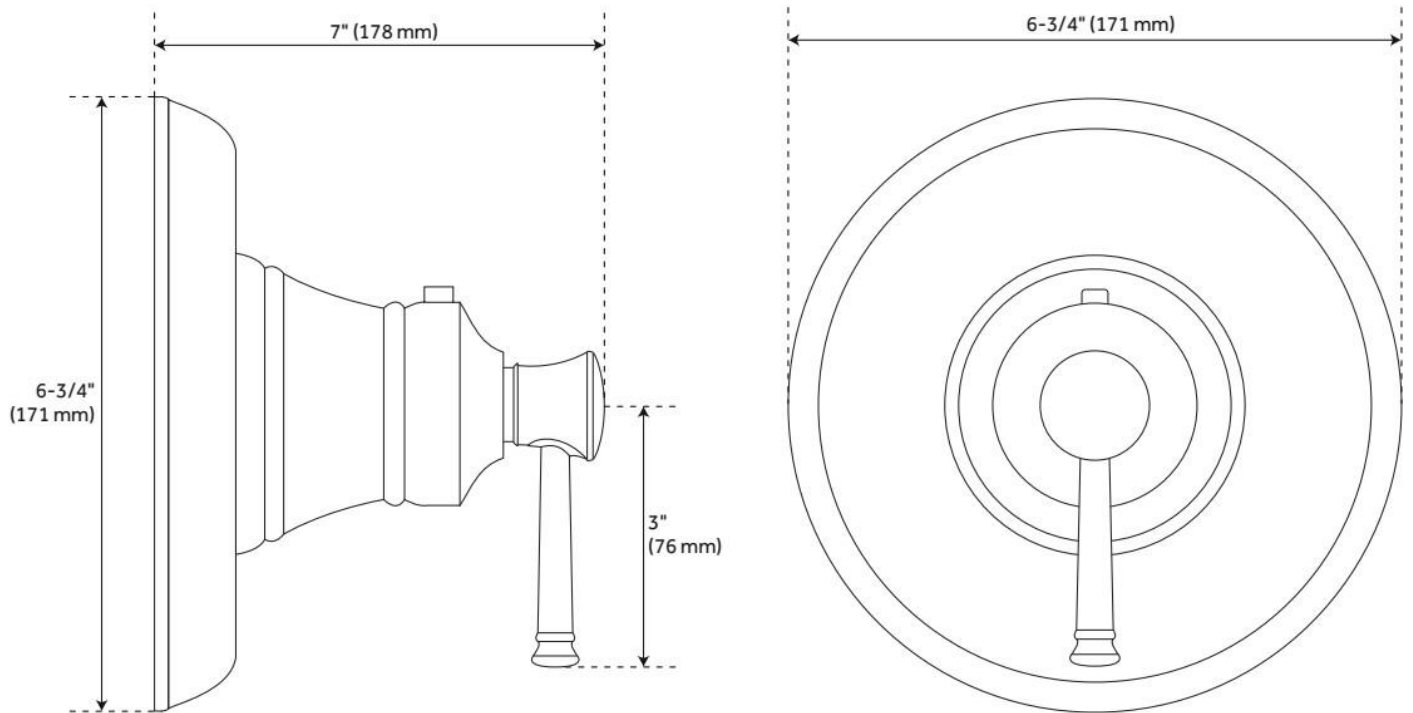
- Overall Projection: 7".
- Temperature outlet factory preset to 104 degrees Fahrenheit.
- Temperature can be easily adjusted up and down to user's comfort level.
- Scald guard protection.
- High temperature limit stop.
- Thermostatic technology keeps shower temperature within 1 degree Celsius.
- For proper installation, requires use of volume control valve and trim.
- Wall thickness range: 1" to 1-3/4".
- Optional Rough-in Valve:
 - Bronze valve body.
 - Ceramic cartridge.
 - Integral water stops and check valve.
 - Recommended valve installation depth 1-5/8" to 2-3/8".

REVISED 6/11/2024

BEASLEY THERMOSTATIC SHOWER VALVE

SKU: 948778

Code: SHBE9009, SH6004, SH6006



REVISED 6/11/2024

VOLUME CONTROL ROUGH-IN VALVE - 3/4" CONNECTION

SKU: 447696
Code: SH6040



FEATURES

Material: Bronze
Connection Type: 3/4" NPT
Cartridge Type: Ceramic Disc

IAPMO, ASME A112.18.1/CSA B125.1, Massachusetts Accepted, LISTED ID: SH6040



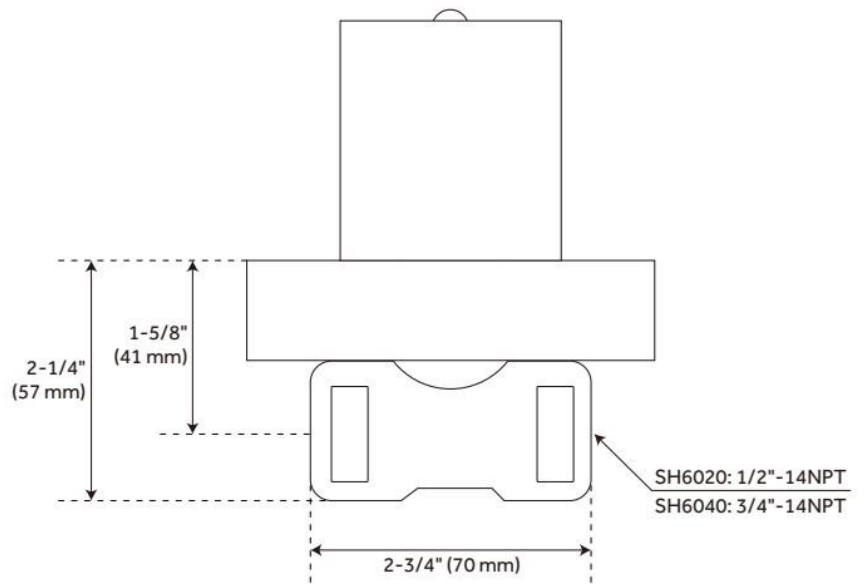
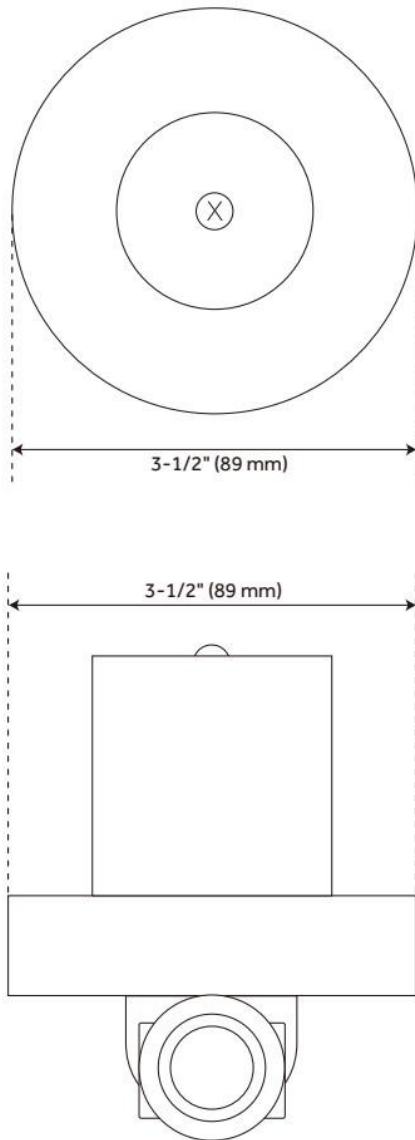
ADDITIONAL FEATURES

- Intended for use with a thermostatic valve and trim.
- Bronze valve body.
- Ceramic cartridge.
- Compatible with Beasley, Berwyn, Boca Raton, Drea, Edenton, Elita, Greyfield, Gunther, Hibiscus, Key West, Lentz, Lexia, Pendleton, Pinecrest, Provincetown, Rigi, Sefina, Vassor and Vilamonte Volume Control Trims.

REVISED 10/21/2024

VOLUME CONTROL ROUGH-IN VALVE - 3/4" CONNECTION

SKU: 447696
Code: SH6040



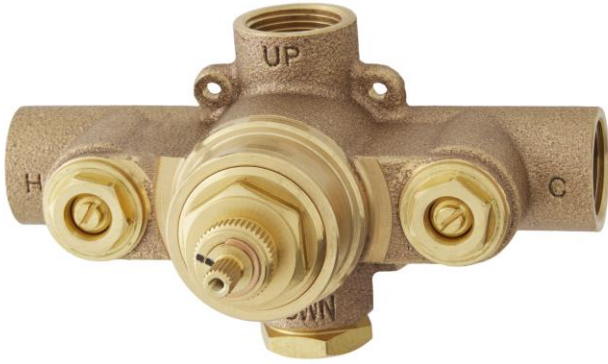
REVISED 10/21/2024

THERMOSTATIC ROUGH-IN VALVE - 3/4" CONNECTION

SKU: 447694
Code: SH6006

FEATURES

Material: Bronze
Flow Rate: 18.2 gpm (68.9 L/min) @ 80 psi
Connection Type: 3/4" NPT
Cartridge Type: Thermostatic



IAPMO, ASME A112.18.1/CSA B125.1, Massachusetts Accepted, LISTED ID: SH6006



ADDITIONAL FEATURES

- Compatible with Beasley, Berwyn, Boca Raton, Drea, Edenton, Elita, Greyfield, Gunther, Hibiscus, Key West, Lentz, Lexia, Pendleton, Pinecrest, Provincetown, Rigi, Sefina, Vassor and Vilamonte Thermostatic Valve Trim.
- For proper installation, requires use of volume control valve and trim.
- Bronze valve body.
- Factory-calibrated comfort setting at 104 degrees Fahrenheit.
- Water inlet stops and check valve.
- Thermostatic technology keeps shower temperature ± 1 degree Celsius.

REVISED 10/21/2024

3-WAY IN-WALL DIVERTER ROUGH-IN VALVE - 3/4"

SKU: 446519
Code: SH6103

FEATURES

Material: Brass
Cartridge Type: Ceramic Disc



IAPMO, ASME A112.18.1/CSA B125.1, ASME A112.18.2/CSA B125.2, Massachusetts Accepted, LISTED ID: SH6103



ADDITIONAL FEATURES

- Six total settings allow for shared water flow between outlets, giving you the ability to use two functions at once.
- Ceramic cartridge.
- Available Single-Function Diverter Valve Cartridge restricts water flow to one outlet at a time.
- Not intended as a shut off valve.
- For installations only requiring 2 outlets, the 3rd outlet may be looped into one of the existing pipes.
- Compatible with Beasley, Berwyn, Boca Raton, Drea, Edenton, Elita, Greyfield, Gunther, Hibiscus, Key West, Lentz, Lexia, Pendleton, Pinecrest, Provincetown, Rigi, Sefina, Vassor and Vilamonte Diverter Trims.

REVISED 10/14/2024

