

BEASLEY THERMOSTATIC SHOWER SYSTEM WITH 3 BODY SPRAYS, SLIDE BAR AND HAND SHOWER

SKU: 953965

Code: SHBE9009, SH6006, SHRSA123, SHRSB820RG, SHHS4090G, SHH1010, SHWE2040, SHBE90052, SH6103, SHBE9007, SH6040, SHSB3010, SHBS6010E



FEATURES

Material: Metal, ABS
Shower Head Swivel: Yes
Shower Head Spray: Rainfall
Shower Head Flow Rate: 1.75 gpm (6.6 L/min) @ 80 psi
Hand Shower Spray: Full, Massage, Massage + Full Hand
Shower Flow Rate: 1.8 gpm (6.8 L/min) @ 80 psi
Body Spray Flow Rate: 2.5 gpm (9.5 L/min) @ 80 psi
Diverter Outlets: 3
Cartridge Type: Thermostatic

ASME A112.18.1/CSA B125.1, ASME A112.18.2/CSA B125.2, ASSE 1016 Type P/T, CEC Listed, WaterSense by IAPMO, Massachusetts Accepted, LISTED ID: SH6103, SH6040, SHWE2040*, SHBS6010E**, SHH1010*, SHRSA123*, SHBE90052*, SHBE9007*, SHBE9009*, SHHS4090G*, SH6006, SHRSB820RG*, SHHS4090G**



REVISED 2/10/2025

8" MODERN ROUND RAINFALL SHOWER HEAD - 1.75 GPM

SKU: 948948-18

Code: SHRSB820RG, SH484203, SH485499, SHRSB820RGPB



FEATURES

Material: ABS

Shower Head Swivel: Yes

Flow Rate: 1.75 gpm (6.6 L/min) @ 80 psi

ASME A112.18.1/CSA B125.1, CEC Listed, WaterSense by IAPMO, Massachusetts Accepted, LISTED ID:
SHRSB820RG*

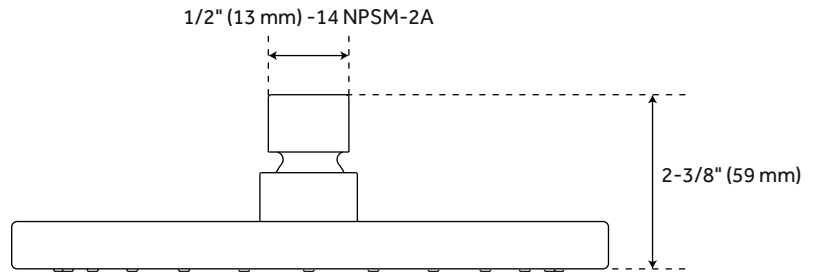
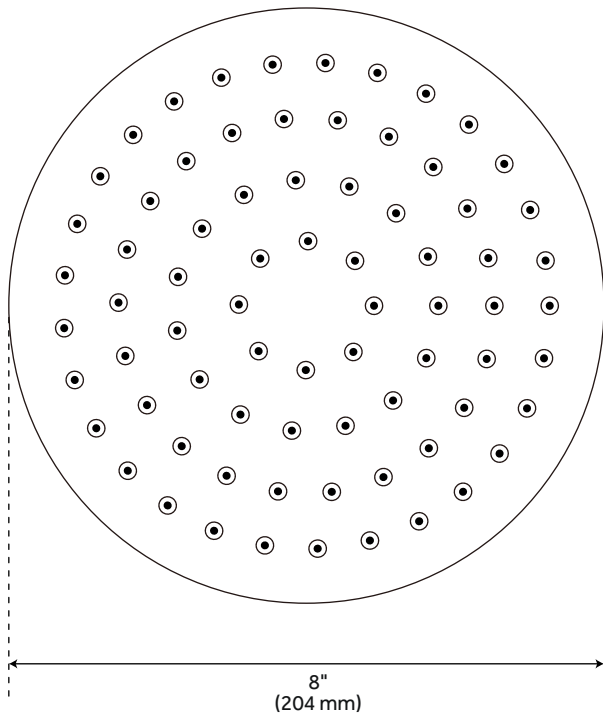


ADDITIONAL FEATURES

- Single function shower head (full spray).
- Easy clean rubber nozzles.
- Brass ball joint.

REVISED 11/22/2024

8" MODERN ROUND RAINFALL SHOWER HEAD - 1.75 GPM



All dimensions and specifications are nominal and may vary. Use actual products for accuracy in critical situations.

WALL-MOUNT RAINFALL SHOWER ARM

SKU: 948955

Code: SHRSA123, SHRSA181, SH485514, SHRSA150

FEATURES

Material: Stainless Steel

Connection Type: 1/2" NPT



ASME A112.18.1/CSA B125.1, Massachusetts Accepted, LISTED ID: SHRSA123*, SHRSA181*, SHRSA150*



ADDITIONAL FEATURES

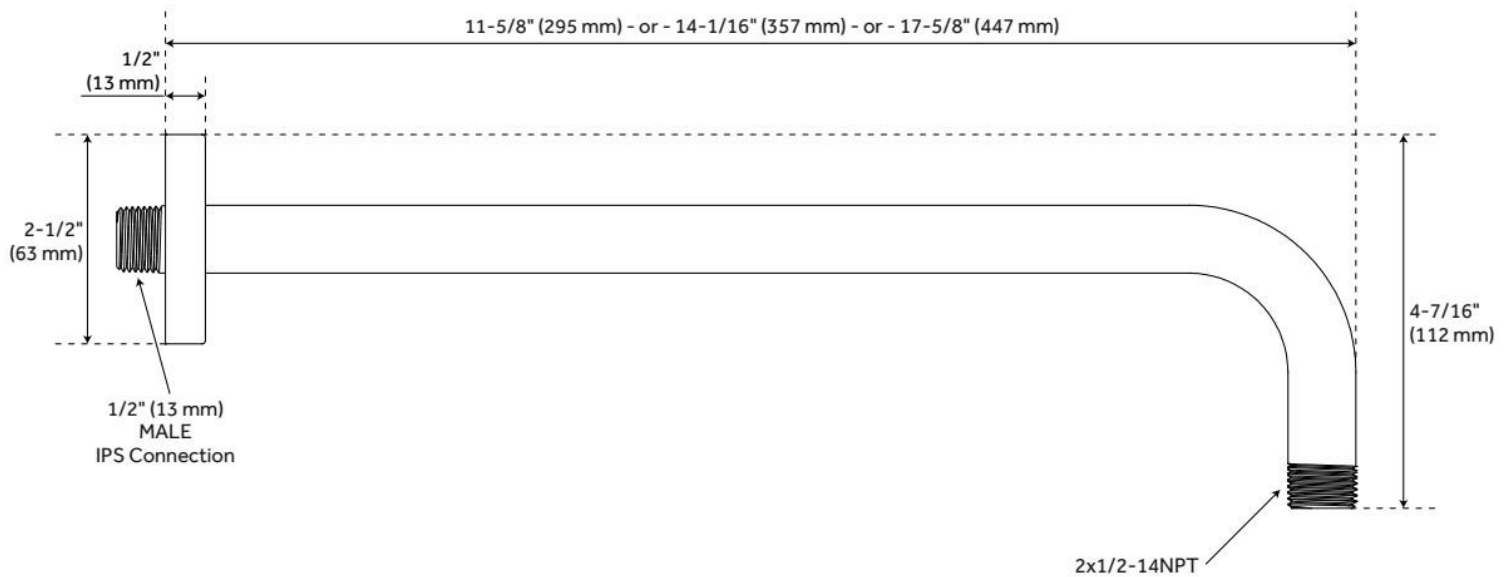
- All dimensions are ($\pm 1/2"$).
- Escutcheon included.

REVISED 6/10/2024

WALL-MOUNT RAINFALL SHOWER ARM

SKU: 948955

Code: SHRSA123, SHRSA181, SH485514, SHRSA150



REVISED 6/10/2024

ROUND FLUSH-MOUNT SWIVEL BODY SPRAY

SKU: 948943

Code: SHBS6010E, SH488914



FEATURES

Material: Brass

Shower Head Swivel: Yes

Flow Rate: 2.5 gpm (9.5 L/min) @ 80 psi

Connection Type: 1/2" IPS

ASME A112.18.1/CSA B125.1, Massachusetts Accepted, LISTED ID: SHBS6010E**



ADDITIONAL FEATURES

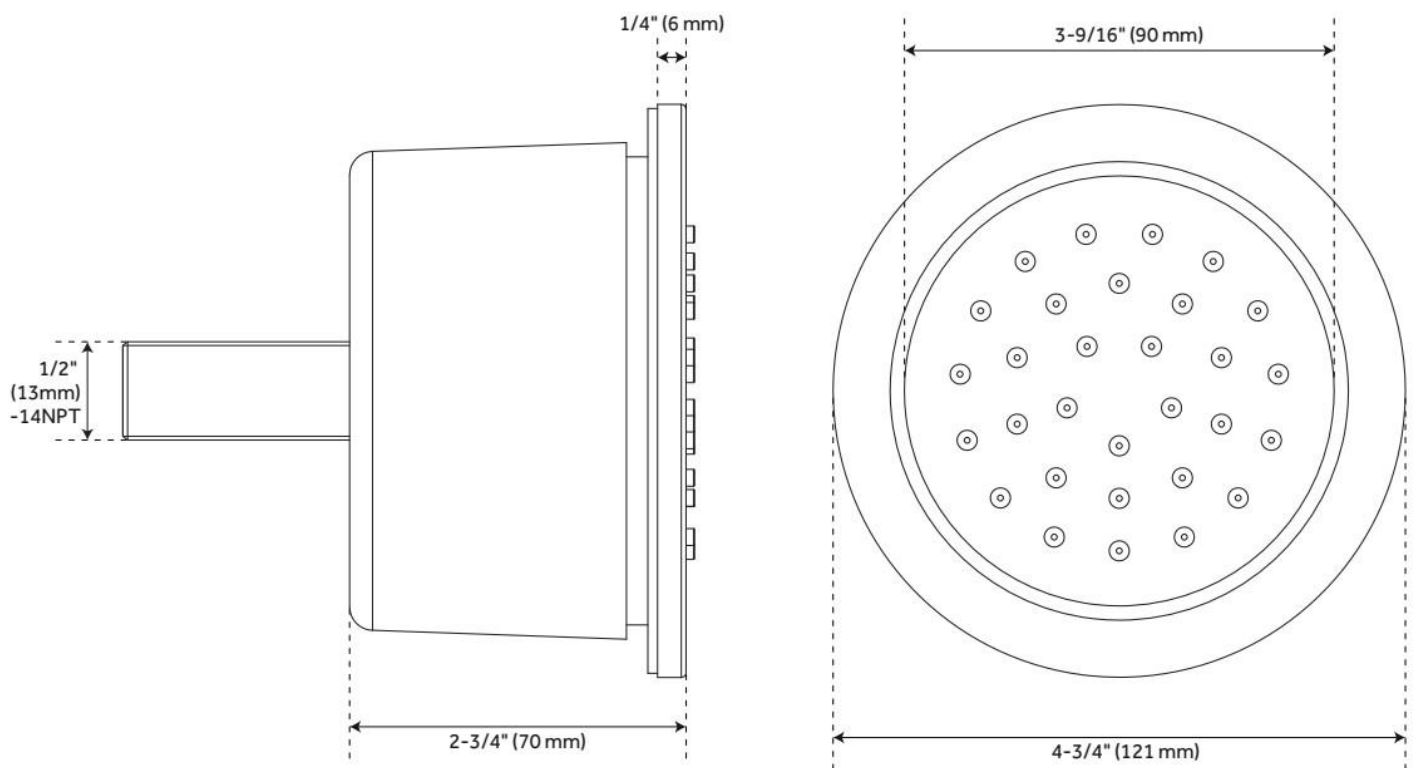
- 1/2" Male connection.
- Jet surface area: 3-9/16"
- Surface depth: 1/4"

REVISED 5/24/2024

ROUND FLUSH-MOUNT SWIVEL BODY SPRAY

SKU: 948943

Code: SHBS6010E, SH488914



REVISED 5/24/2024

30" TRADITIONAL SLIDE BAR FOR HAND SHOWER

SKU: 948916
Code: SHSB3010



FEATURES

Material: Metal

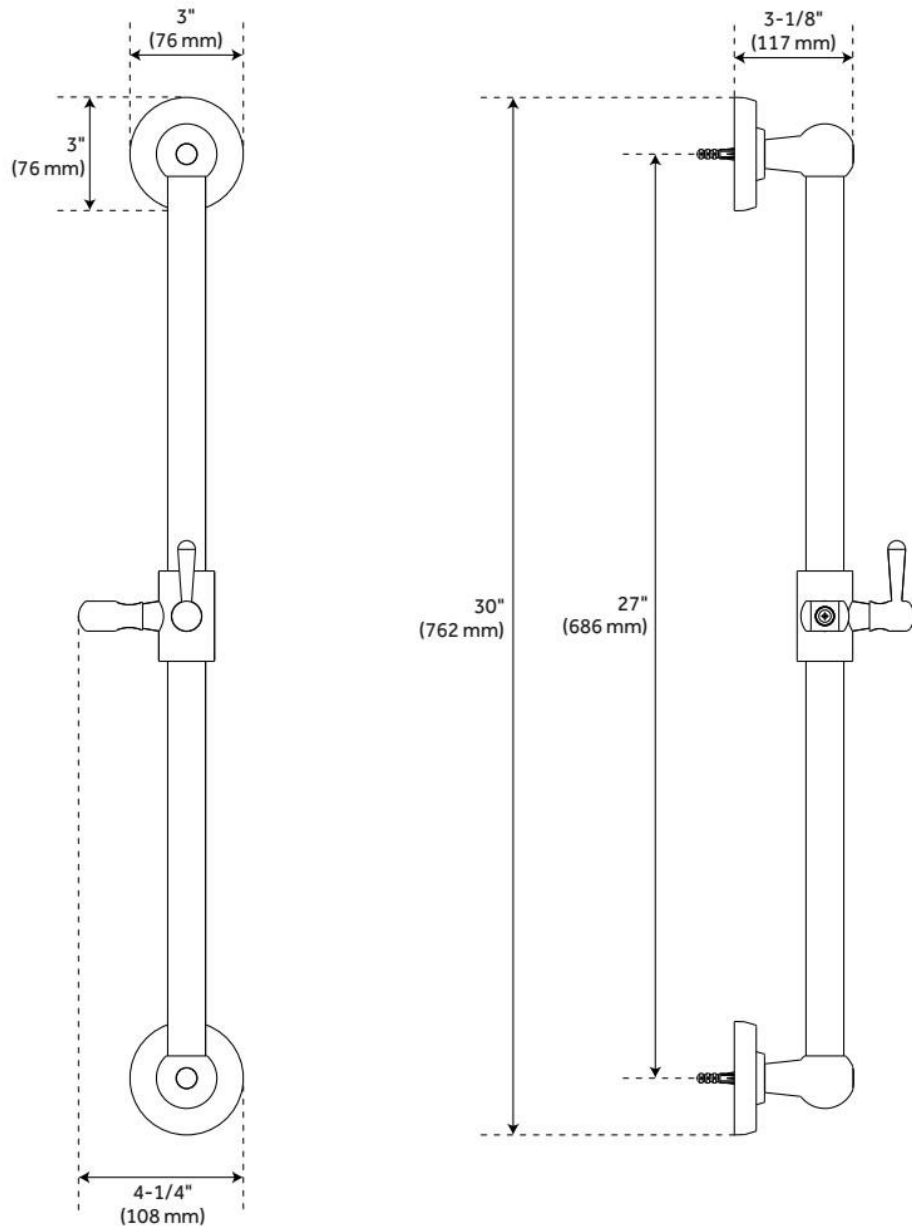
ADDITIONAL FEATURES

- Metal bar and mounting posts.
- Adjustable angle for handshower mount.

REVISED 11/22/2024

30" TRADITIONAL SLIDE BAR FOR HAND SHOWER

SKU: 948916
Code: SHSB3010



REVISED 11/22/2024

PINECREST HAND SHOWER

SKU: 948929
Code: SHHS4090G

FEATURES

Material: ABS
Hand Shower Spray: Full
Hand Shower Flow Rate: 1.8 gpm (6.8 L/min) @ 80 psi



ASME A112.18.1/CSA B125.1, CEC Listed, WaterSense by IAPMO, Massachusetts Accepted, LISTED ID: SHHS4090G*, SHHS4090G**



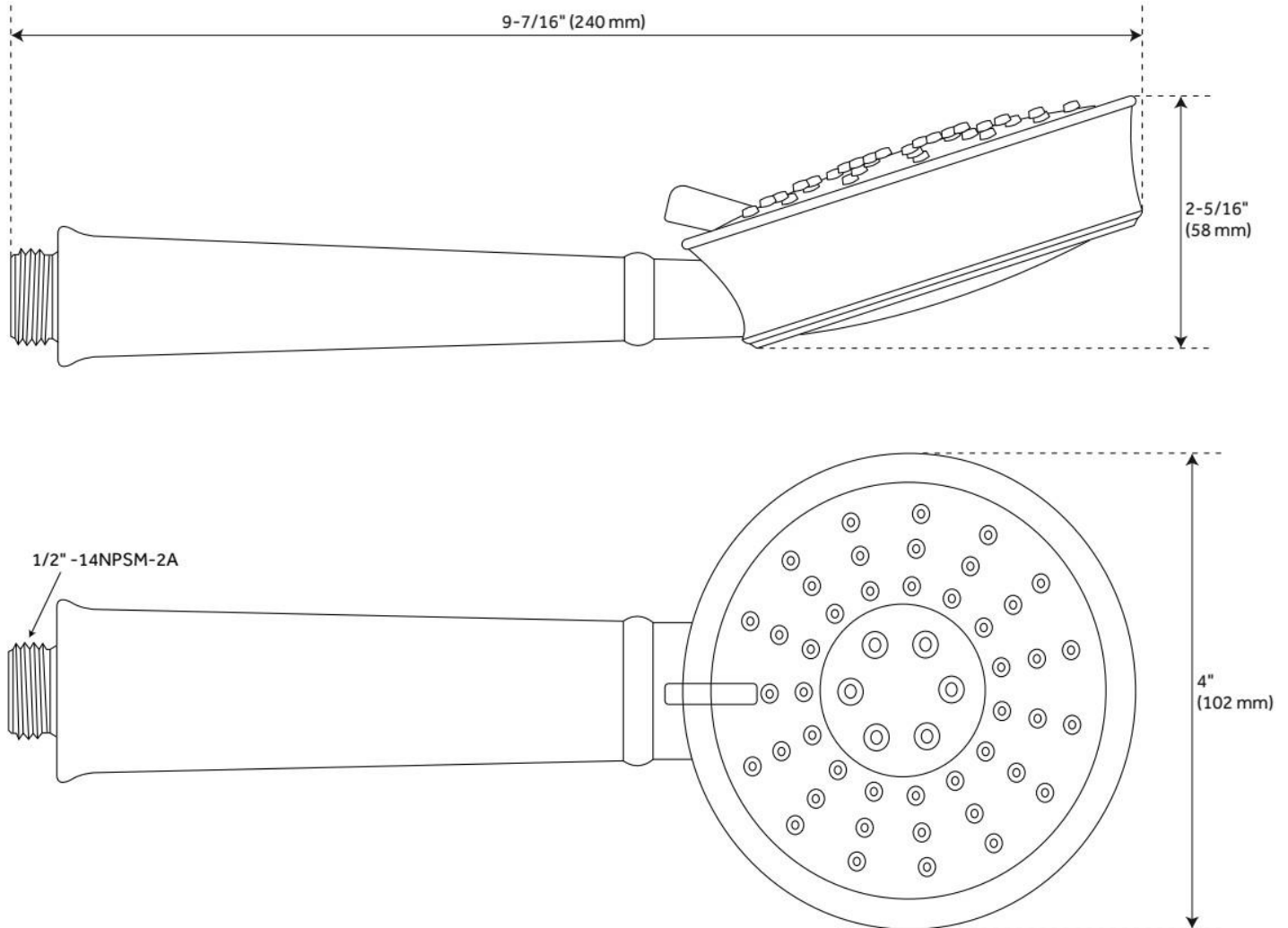
ADDITIONAL FEATURES

- 3 function hand shower (full spray, massage spray, full & massage spray).
- Easy-clean spray nozzles.
- Factory installed backflow prevention check valve.
- Hose sold separately.

REVISED 5/24/2024

PINECREST HAND SHOWER

SKU: 948929
Code: SHHS4090G



REVISED 5/24/2024

60" METAL HAND SHOWER HOSE

SKU: 948088
Code: SHH1010

FEATURES

Connection Type: 1/2" IPS



ASME A112.18.1/CSA B125.1, Massachusetts Accepted, LISTED ID: SHH1010*



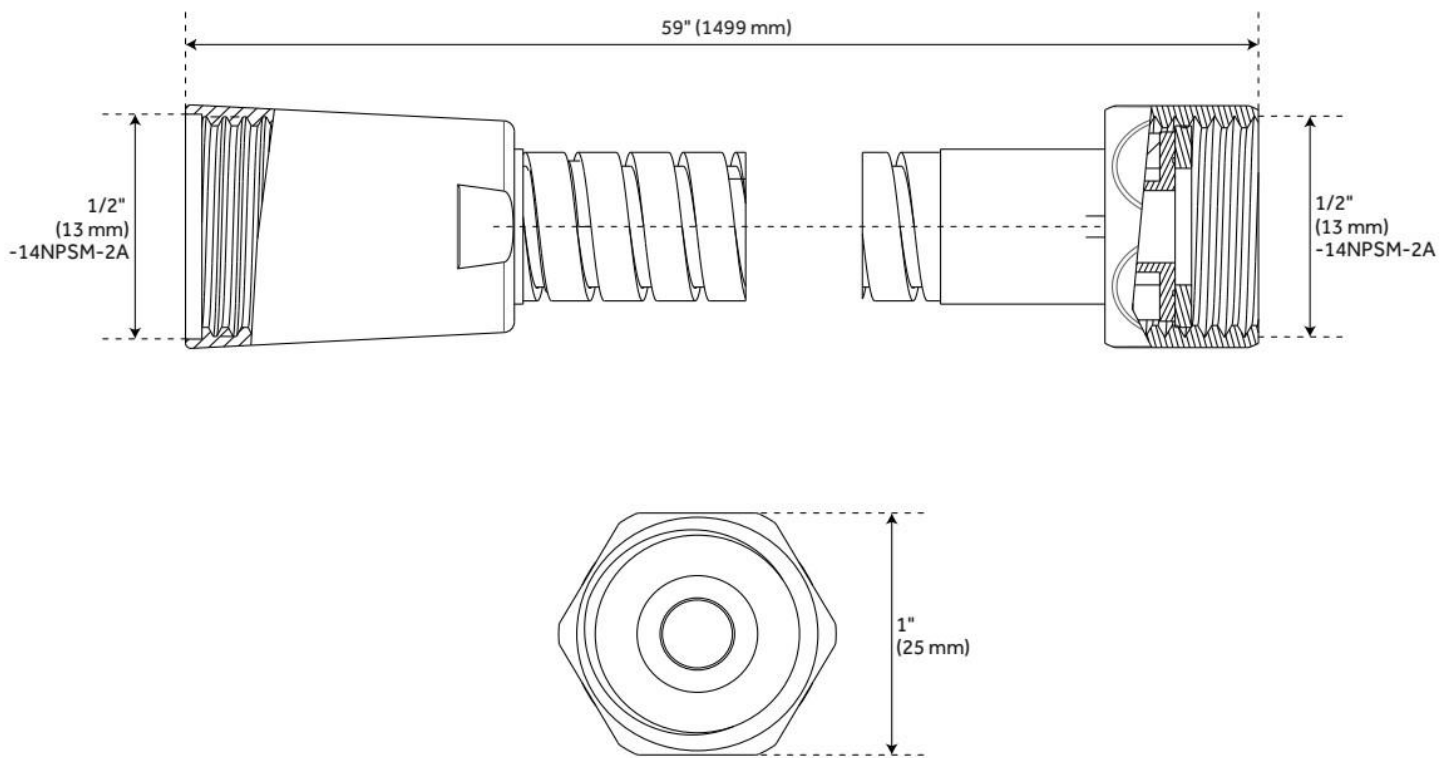
ADDITIONAL FEATURES

- Hand Sprayer sold separately.
- 60" - 72" stretchable metal shower hose.
- Double spiral constructed hose.

REVISED 6/11/2024

60" METAL HAND SHOWER HOSE

SKU: 948088
Code: SHH1010



REVISED 6/11/2024

SWIVEL WATER SUPPLY ELBOW AND BRACKET FOR HAND SHOWER

SKU: 948936

Code: SHWES2050, SH485446, SH485535

FEATURES

Material: Metal, ABS

Connection Type: 1/2" NPT



ASME A112.18.1/CSA B125.1, LISTED ID: SHWES2050xy



ADDITIONAL FEATURES

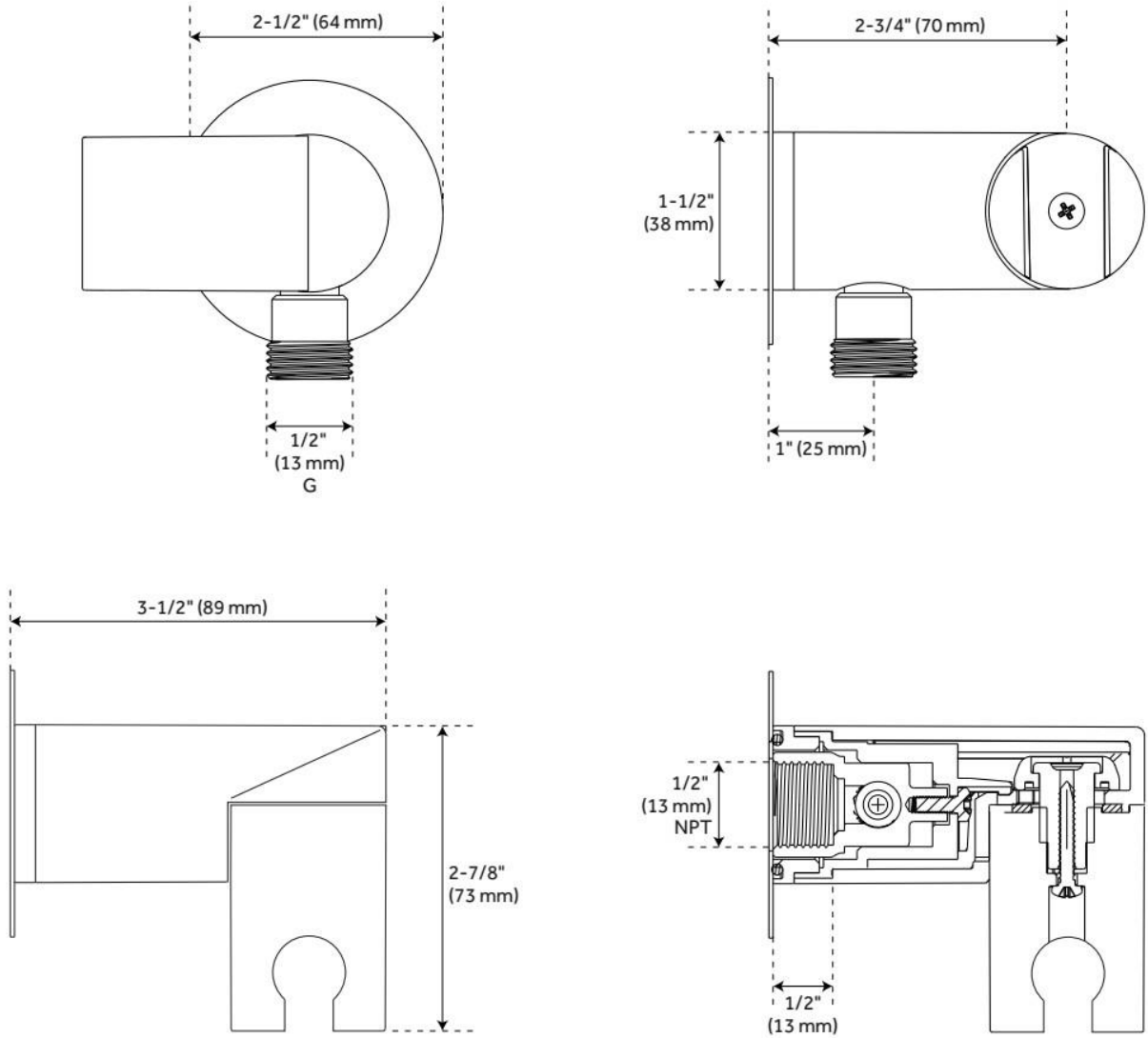
- 1/2" Female wall connection.
- 1/2" Male hose connection.
- Brass inlet/outlet, ABS body.

REVISED 5/24/2024

SWIVEL WATER SUPPLY ELBOW AND BRACKET FOR HAND SHOWER

SKU: 948936

Code: SHWES2050, SH485446, SH485535



REVISED 5/24/2024

BEASLEY IN-WALL SHOWER DIVERTER

SKU: 948692

Code: SHBE90052, SH6103



FEATURES

Material: Brass

Required for Installation: Rough-in valve: SH6103 or SH6101

ASME A112.18.1/CSA B125.1, ASME A112.18.2/CSA B125.2, ICC/ANSI A117.1, Massachusetts Accepted, LISTED ID: SH6103, SHBE90052*



ADDITIONAL FEATURES

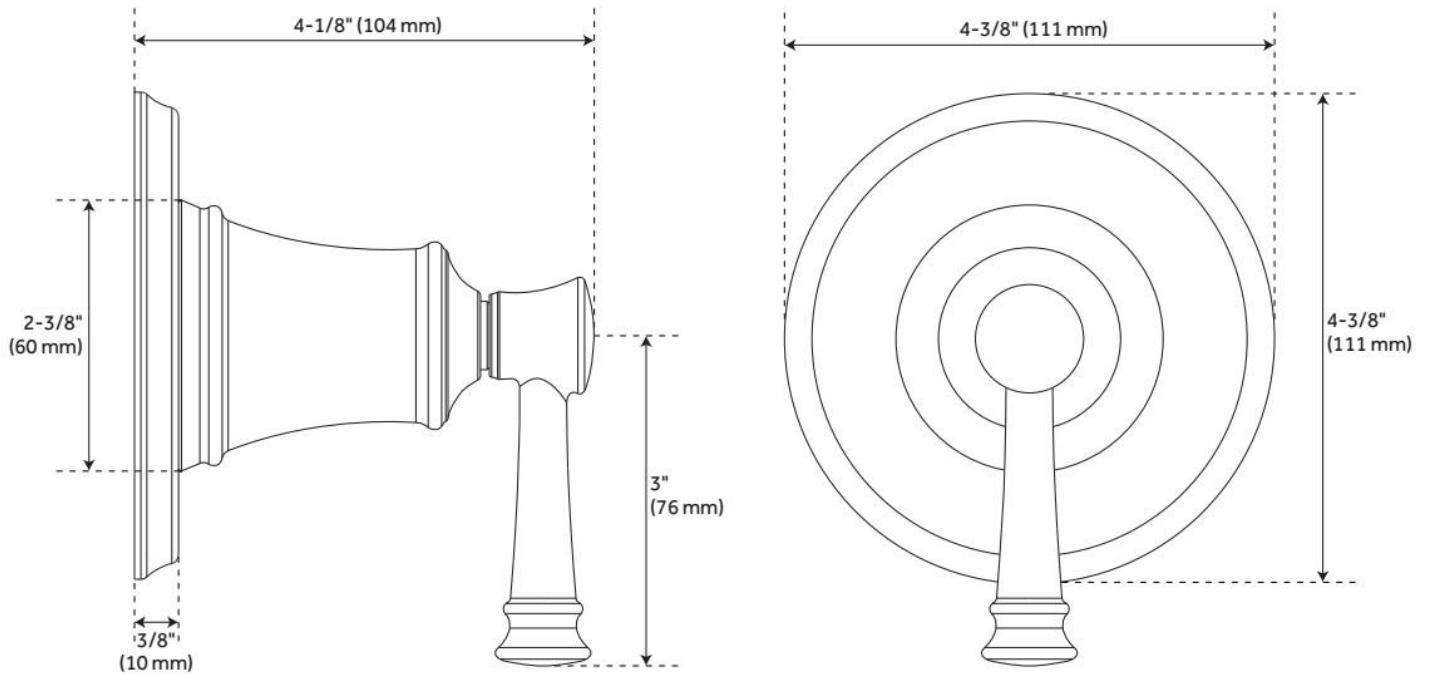
- Metal handle.
- Metal Escutcheon.
- Not intended as a shut off valve.
- Six total settings allow for shared water flow between outlets, giving you the ability to use two functions at once.
- Optional Rough-in Valve:
 - Available Single-Function Diverter Valve Cartridge restricts water flow to one outlet at a time.
 - Brass valve body.
 - Ceramic cartridge.
 - Must be installed in accordance with provided installation instructions.

REVISED 6/11/2024

BEASLEY IN-WALL SHOWER DIVERTER

SKU: 948692

Code: SHBE90052, SH6103



REVISED 6/11/2024

BEASLEY IN-WALL SHOWER VOLUME CONTROL

SKU: 948777

Code: SHBE9007, SH6020, SH6040



FEATURES

Material: Brass

Required for Installation: Rough-in valve: SH6020 or SH6040

ASME A112.18.1/CSA B125.1, ICC/ANSI A117.1, Massachusetts Accepted, LISTED ID: SHBE9007*, SH6020, SH6040



ADDITIONAL FEATURES

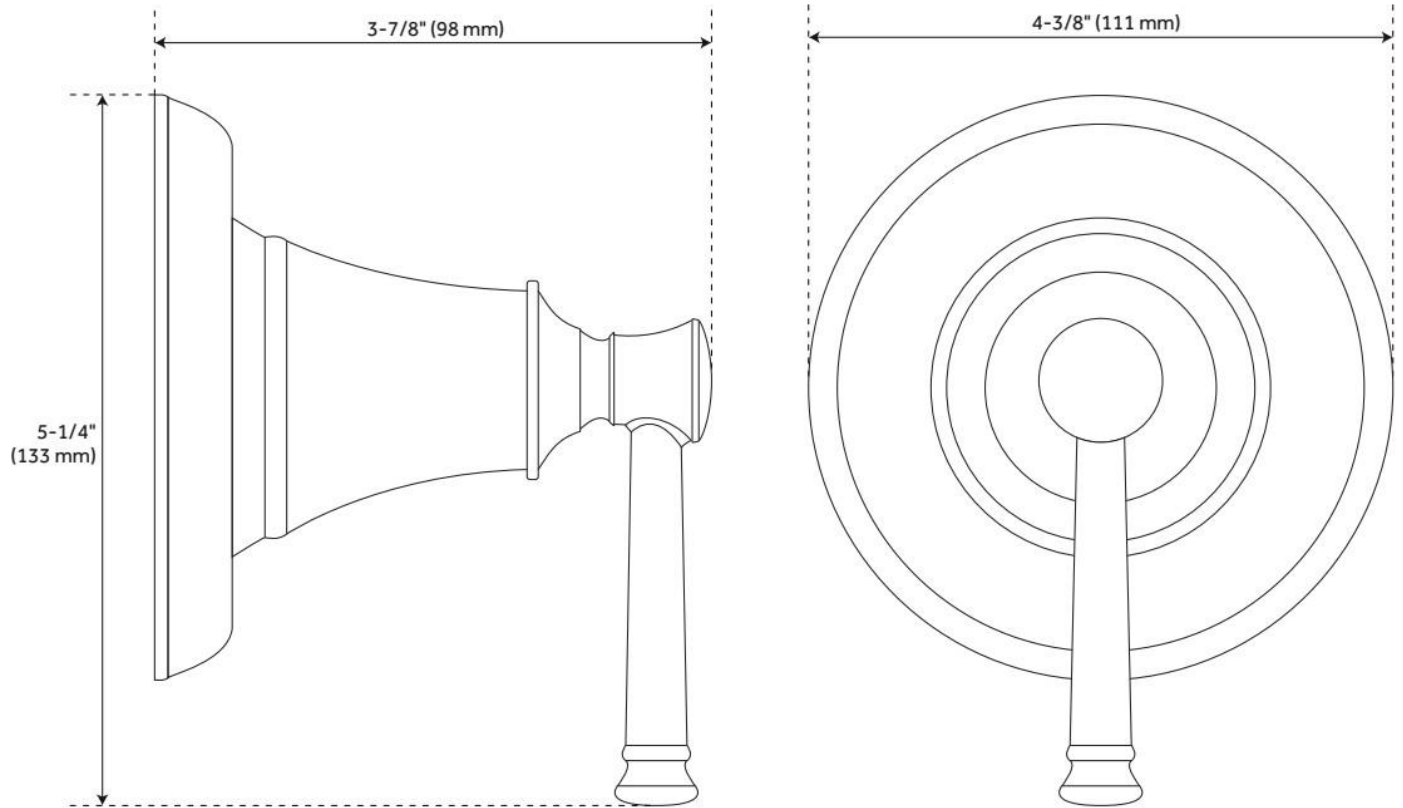
- Overall Projection: 3-7/8".
- Wall thickness range: 1" to 1-3/4".
- For proper installation, requires use of a thermostatic valve and trim.
- Optional Rough-in Valve:
 - Bronze valve body.
 - Ceramic cartridge.
 - Recommended valve installation depth 1-5/8" to 2-3/8".

REVISED 6/11/2024

BEASLEY IN-WALL SHOWER VOLUME CONTROL

SKU: 948777

Code: SHBE9007, SH6020, SH6040



REVISED 6/11/2024

BEASLEY THERMOSTATIC SHOWER VALVE

SKU: 948778

Code: SHBE9009, SH6004, SH6006



FEATURES

Material: Brass

Cartridge Type: Thermostatic

Required for Installation: Rough-in valve: SH6006 or SH6004

ASME A112.18.1/CSA B125.1, Massachusetts Accepted, LISTED ID: SHBE9009*, SH6004, SH6006



ADDITIONAL FEATURES

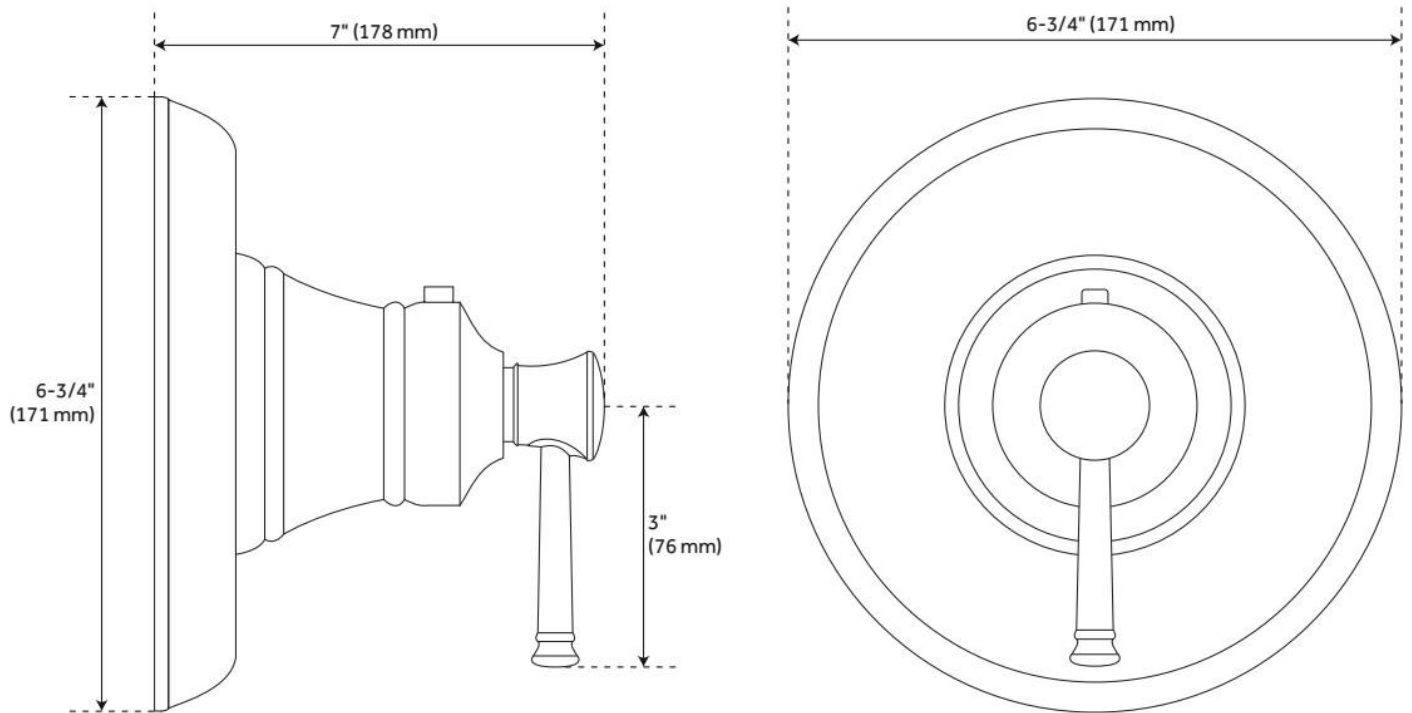
- Overall Projection: 7".
- Temperature outlet factory preset to 104 degrees Fahrenheit.
- Temperature can be easily adjusted up and down to user's comfort level.
- Scald guard protection.
- High temperature limit stop.
- Thermostatic technology keeps shower temperature within 1 degree Celsius.
- For proper installation, requires use of volume control valve and trim.
- Wall thickness range: 1" to 1-3/4".
- Optional Rough-in Valve:
 - Bronze valve body.
 - Ceramic cartridge.
 - Integral water stops and check valve.
 - Recommended valve installation depth 1-5/8" to 2-3/8".

REVISED 6/11/2024

BEASLEY THERMOSTATIC SHOWER VALVE

SKU: 948778

Code: SHBE9009, SH6004, SH6006



REVISED 6/11/2024

3-WAY IN-WALL DIVERTER ROUGH-IN VALVE - 3/4"

SKU: 446519
Code: SH6103

FEATURES

Material: Brass
Cartridge Type: Ceramic Disc



IAPMO, ASME A112.18.1/CSA B125.1, ASME A112.18.2/CSA B125.2, Massachusetts Accepted, LISTED ID: SH6103



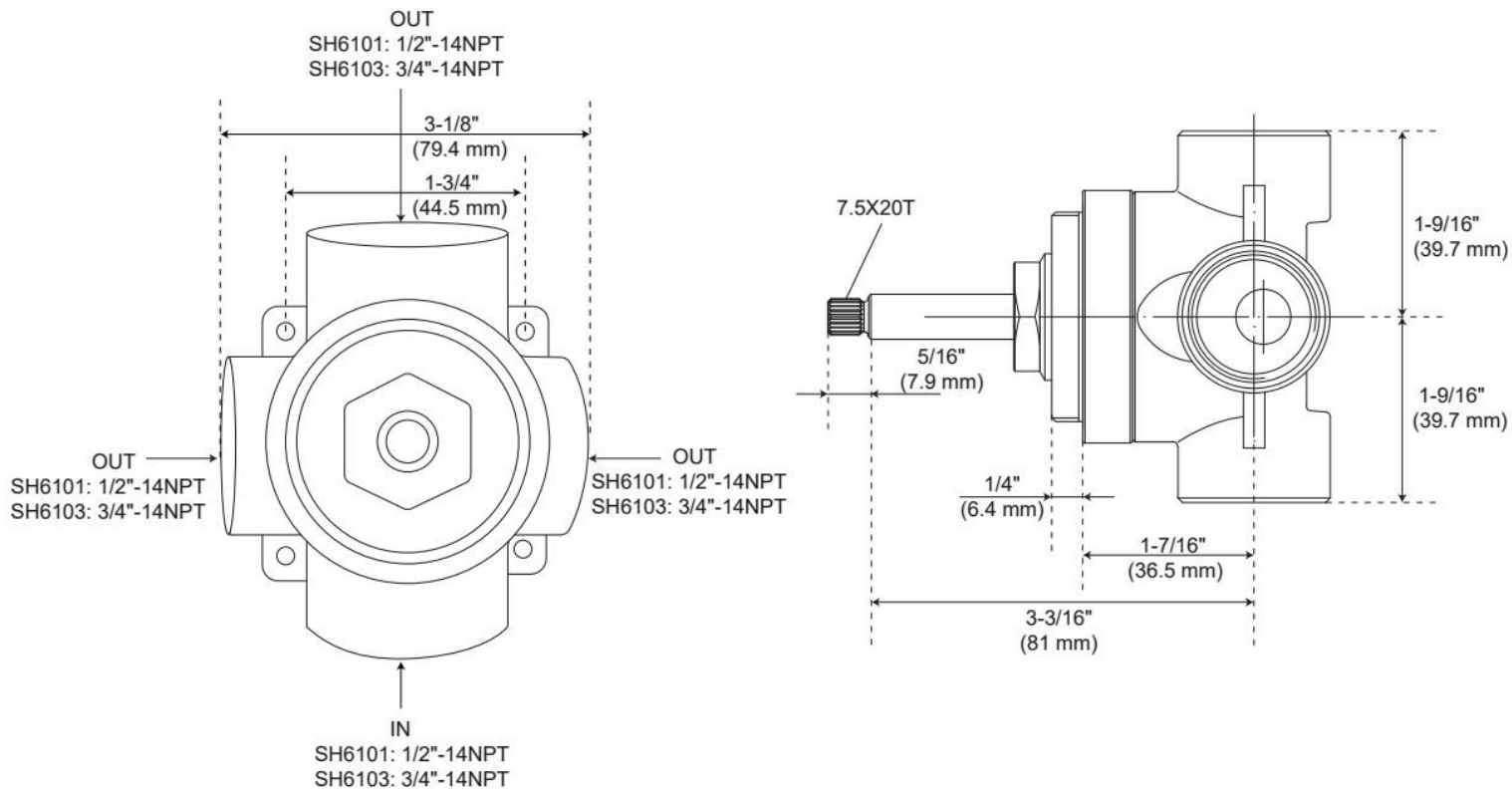
ADDITIONAL FEATURES

- Six total settings allow for shared water flow between outlets, giving you the ability to use two functions at once.
- Ceramic cartridge.
- Available Single-Function Diverter Valve Cartridge restricts water flow to one outlet at a time.
- Not intended as a shut off valve.
- For installations only requiring 2 outlets, the 3rd outlet may be looped into one of the existing pipes.
- Compatible with Beasley, Berwyn, Boca Raton, Drea, Edenton, Elita, Greyfield, Gunther, Hibiscus, Key West, Lentz, Lexia, Pendleton, Pinecrest, Provincetown, Rigi, Sefina, Vassor and Vilamonte Diverter Trims.

REVISED 10/14/2024

3-WAY IN-WALL DIVERTER ROUGH-IN VALVE - 3/4"

SKU: 446519
Code: SH6103



REVISED 10/14/2024

VOLUME CONTROL ROUGH-IN VALVE

SKU: 948546

Code: SH6020, SH6040



ASME A112.18.1/CSA B125.1, Massachusetts Accepted, LISTED ID: SH6020, SH6040



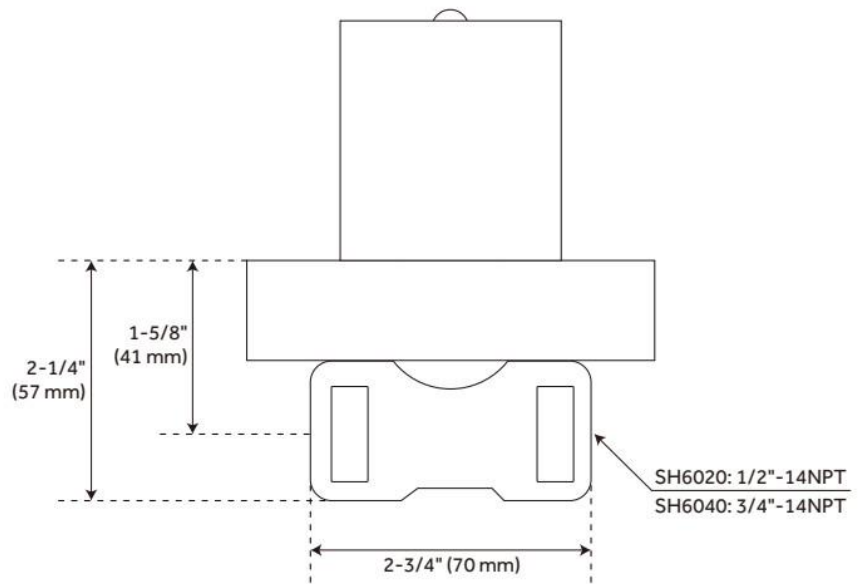
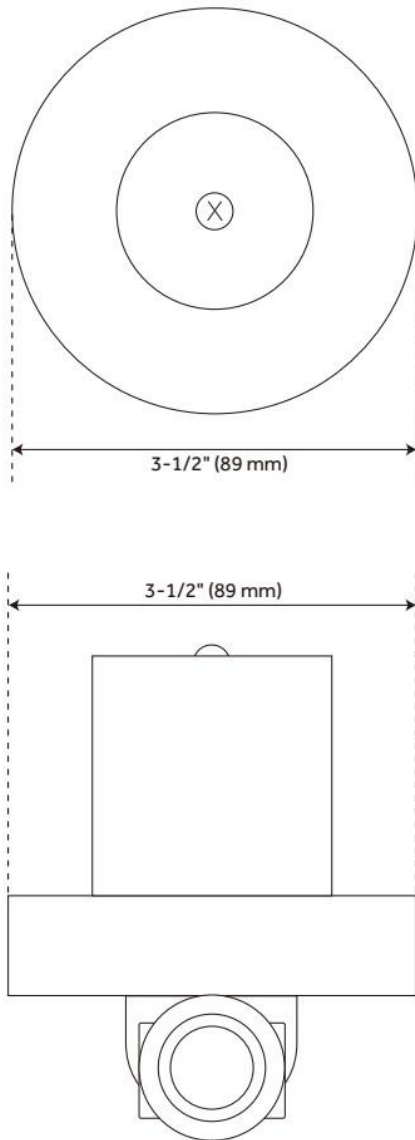
ADDITIONAL FEATURES

- Intended for use with a thermostatic valve and trim.
- Bronze valve body.
- Ceramic cartridge.
- Compatible with Beasley, Berwyn, Boca Raton, Drea, Edenton, Elita, Greyfield, Gunther, Hibiscus, Key West, Lentz, Lexia, Pendleton, Pinecrest, Provincetown, Rigi, Sefina, Vassor and Vilamonte Volume Control Trims.

REVISED 11/22/2024

VOLUME CONTROL ROUGH-IN VALVE

SKU: 948546
Code: SH6020, SH6040



REVISED 11/22/2024

THERMOSTATIC ROUGH-IN VALVE - 3/4" CONNECTION

SKU: 447694
Code: SH6006

FEATURES

Material: Bronze
Flow Rate: 18.2 gpm (68.9 L/min) @ 80 psi
Connection Type: 3/4" NPT
Cartridge Type: Thermostatic



IAPMO, ASME A112.18.1/CSA B125.1, Massachusetts Accepted, LISTED ID: SH6006



ADDITIONAL FEATURES

- Compatible with Beasley, Berwyn, Boca Raton, Drea, Edenton, Elita, Greyfield, Gunther, Hibiscus, Key West, Lentz, Lexia, Pendleton, Pinecrest, Provincetown, Rigi, Sefina, Vassor and Vilamonte Thermostatic Valve Trim.
- For proper installation, requires use of volume control valve and trim.
- Bronze valve body.
- Factory-calibrated comfort setting at 104 degrees Fahrenheit.
- Water inlet stops and check valve.
- Thermostatic technology keeps shower temperature ± 1 degree Celsius.

REVISED 10/21/2024