

# BEASLEY THERMOSTATIC SHOWER SYSTEM WITH 3 BODY SPRAYS, SLIDE BAR AND HAND SHOWER

SKU: 953965

Code: SHBE9009, SH6006, SHRSA123, SHRSB820RG, SHHS4090G, SHH1010, SHWE2040, SHBE90052, SH6103, SHBE9007, SH6040, SHSB3010, SHBS6010E



## FEATURES

Material: Metal, ABS

Shower Head Swivel: Yes

Hand Shower Spray: Full, Massage, Massage + Full

Hand Shower Flow Rate: 1.8 gpm (6.8 L/min) @ 80 psi

Connection Type: 3/4" NPT

Diverter Outlets: 3

Cartridge Type: Thermostatic

ASME A112.18.1/CSA B125.1, ASME A112.18.2/CSA B125.2, CEC Listed, WaterSense by IAPMO, Massachusetts Accepted, LISTED ID: SHBE9007\*, SHBE9009\*, SH6103, SHH1010\*, SHHS4090G\*, SH6006, SH6040, SHBS6010E\*\*, SHRSB820RG\*, SHWE2040\*, SHRSA123\*, SHBE90052\*, SHHS4090G\*\*



Thermostatic Rough-In Valve - 3/4" Connection:

- Bronze valve body.
- Factory-calibrated comfort setting at 104 degrees Fahrenheit.
- Water inlet stops and check valve.
- Thermostatic technology keeps shower temperature  $\pm 1$  degree Celsius.

12" Wall-Mount Rainfall Shower Arm:

- Solid brass construction.

REVISED 6/13/2024

# ÓÒËŠÒŸÁ/Ρ ÒÛΤ U ÛΝË/ΦÀÛΡ U Y ÒÛÀŸÛΝ ÒΤ Á QPÁHÁ ÓU ÒŸÁÛÛËŸ ÛÊÛŠÒÀÓËÛÁË ÒÁΡ Ë ÒÁÛΡ U Y ÒÛÁ

SKU: 953965

Code: SHBE9009, SH6006, SHRSA123, SHRSB820RG, SHHS4090G, SHH1010, SHWE2040, SHBE90052, SH6103, SHBE9007, SH6040, SHSB3010, SHBS6010E

## ADDITIONAL FEATURES

### Beasley Thermostatic Shower Valve Trim:

Overall Projection: 7".

Temperature outlet factory preset to 104 degrees Fahrenheit.

Temperature can be easily adjusted up and down to user's comfort level.

Scald guard protection.

High temperature limit stop.

Thermostatic technology keeps shower temperature within 1 degree Celsius.

Wall thickness range: 1" to 1-3/4".

### Thermostatic Rough-In Valve - 3/4" Connection:

Bronze valve body.

Factory-calibrated comfort setting at 104 degrees Fahrenheit.

Water inlet stops and check valve.

Thermostatic technology keeps shower temperature  $\pm 1$  degree Celsius.

### 12" Wall-Mount Rainfall Shower Arm:

Solid brass construction.

Escutcheon included.

### 8" Modern Round Rainfall Shower Head - 1.8 GPM :

Single function shower head (full spray).

Easy clean rubber nozzles.

Brass ball joint.

### Pinecrest Hand Shower:

3 function hand shower (full spray, massage spray, full & massage spray).

Easy-clean spray nozzles.

Factory installed backflow prevention check valve.

### 60" Stretchable Metal Hand Shower Hose:

Double spiral constructed hose.

### Swivel Water Supply Elbow and Bracket for Hand Shower :

1/2" Female wall connection.

1/2" Male hose connection.

Brass inlet/outlet, ABS body.

### Beasley In-Wall Shower Diverter Trim:

Metal handle.

Metal Escutcheon.

### 3-Way In-Wall Diverter Rough-In Valve - 3/4":

For installations only requiring 2 outlets, the 3rd outlet may be looped into one of the existing pipes.

### Beasley In-Wall Shower Volume Control Trim:

Overall Projection: 3-7/8".

Wall thickness range: 1" to 1-3/4".

### Volume Control Rough-In Valve:

Intended for use with a thermostatic valve and trim.

Bronze valve body.

### 30" Traditional Slide Bar for Hand Shower:

Metal bar and mounting posts.

Adjustable angle for hand shower mount.

REVISED 10/16/2024

# 8" MODERN ROUND RAINFALL SHOWER HEAD - 1.75 GPM

SKU: 948948-18

Code: SHRSB820RG, SH484203, SH485499, SHRSB820RGPB



## FEATURES

Material: ABS

Shower Head Swivel: Yes

Flow Rate: 1.75 gpm (6.6 L/min) @ 80 psi

ASME A112.18.1/CSA B125.1, CEC Listed, WaterSense by IAPMO, Massachusetts Accepted, LISTED ID:  
SHRSB820RG\*

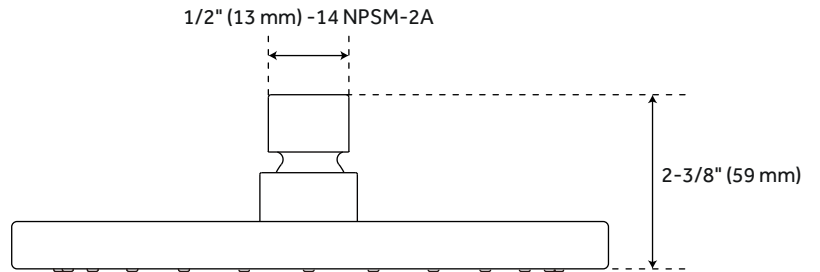
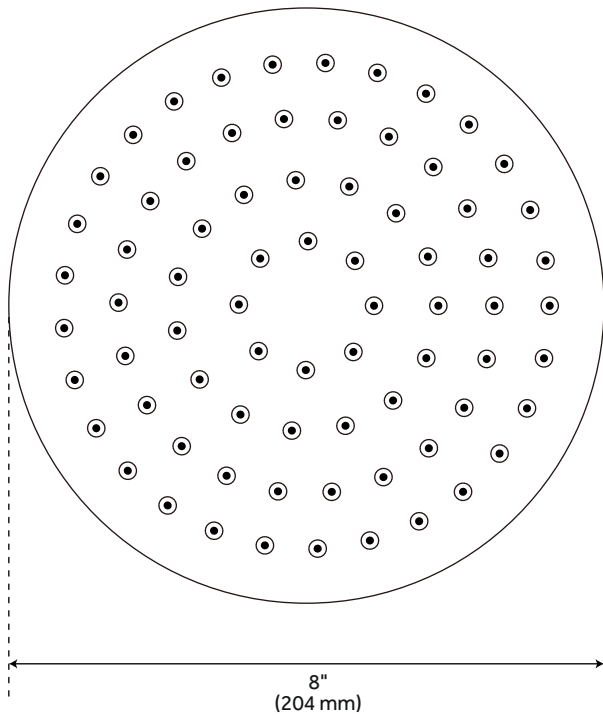


## ADDITIONAL FEATURES

- Single function shower head (full spray).
- Easy clean rubber nozzles.
- Brass ball joint.

REVISED 11/22/2024

# 8" MODERN ROUND RAINFALL SHOWER HEAD - 1.75 GPM



All dimensions and specifications are nominal and may vary. Use actual products for accuracy in critical situations.

# WALL-MOUNT RAINFALL SHOWER ARM

SKU: 948955

Code: SHRSA123, SHRSA181, SH485514, SHRSA150

## FEATURES

Material: Stainless Steel

Connection Type: 1/2" NPT



ASME A112.18.1/CSA B125.1, Massachusetts Accepted, LISTED ID: SHRSA123\*, SHRSA181\*, SHRSA150\*



## ADDITIONAL FEATURES

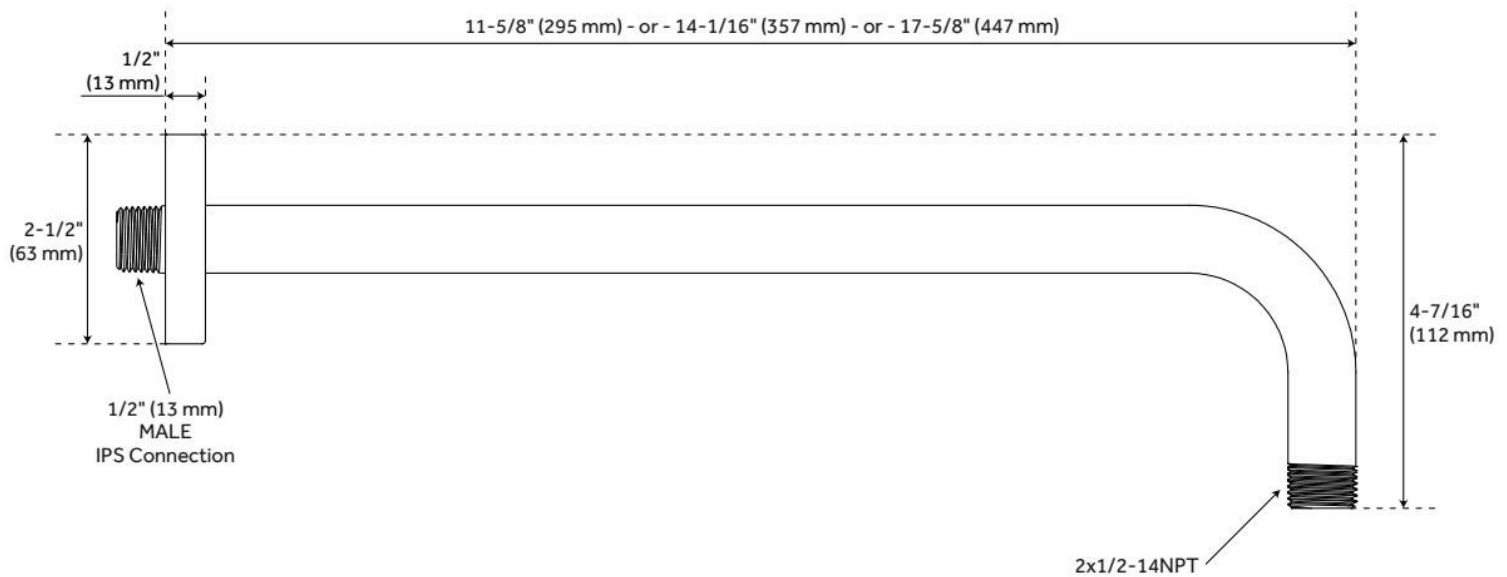
- All dimensions are ( $\pm 1/2"$ ).
- Escutcheon included.

REVISED 6/10/2024

# WALL-MOUNT RAINFALL SHOWER ARM

SKU: 948955

Code: SHRSA123, SHRSA181, SH485514, SHRSA150



REVISED 6/10/2024

# ROUND FLUSH-MOUNT SWIVEL BODY SPRAY

SKU: 948943

Code: SHBS6010E, SH488914



## FEATURES

Material: Brass

Shower Head Swivel: Yes

Flow Rate: 2.5 gpm (9.5 L/min) @ 80 psi

Connection Type: 1/2" IPS

ASME A112.18.1/CSA B125.1, Massachusetts Accepted, LISTED ID: SHBS6010E\*\*



## ADDITIONAL FEATURES

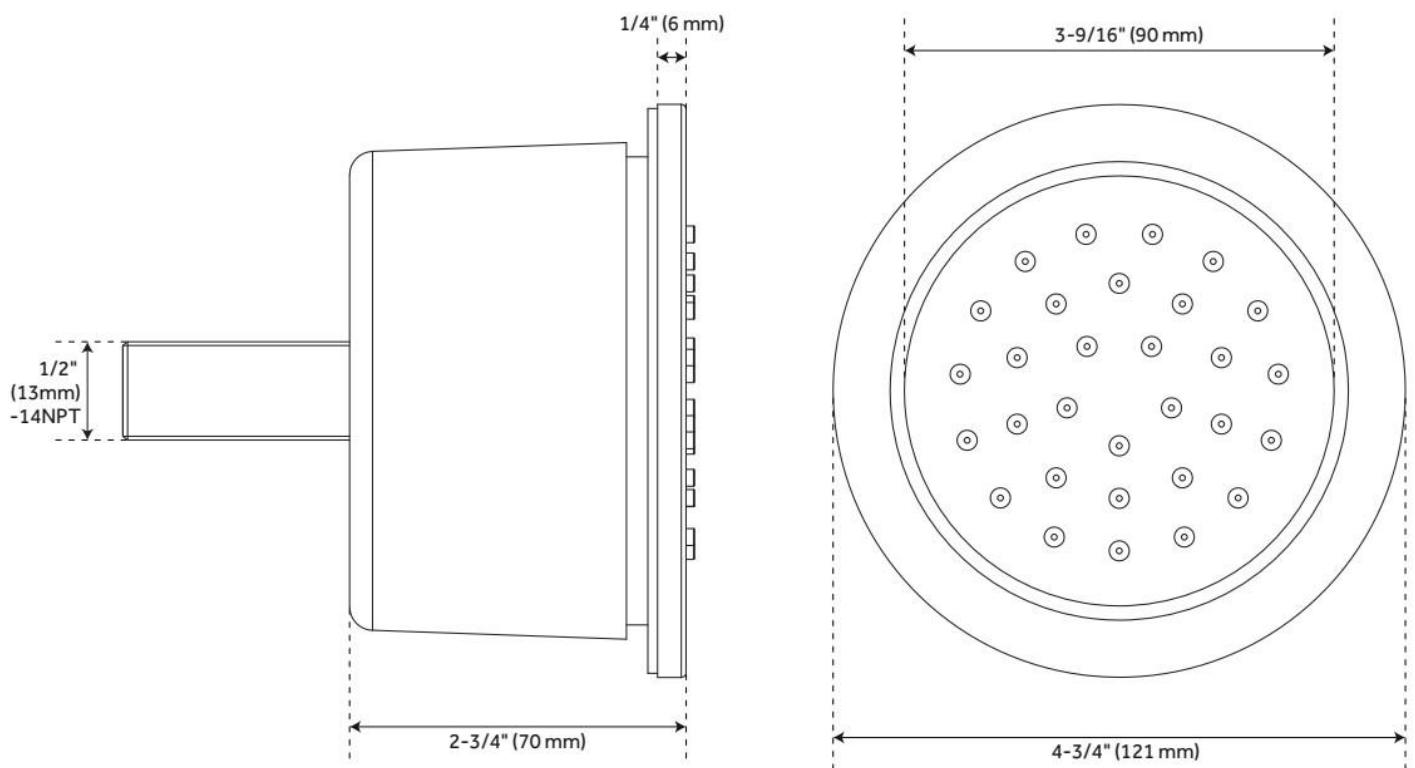
- 1/2" Male connection.
- Jet surface area: 3-9/16"
- Surface depth: 1/4"

REVISED 5/24/2024

# ROUND FLUSH-MOUNT SWIVEL BODY SPRAY

SKU: 948943

Code: SHBS6010E, SH488914



REVISED 5/24/2024



# 30" TRADITIONAL SLIDE BAR FOR HAND SHOWER

SKU: 948916  
Code: SHSB3010



## FEATURES

Material: Metal

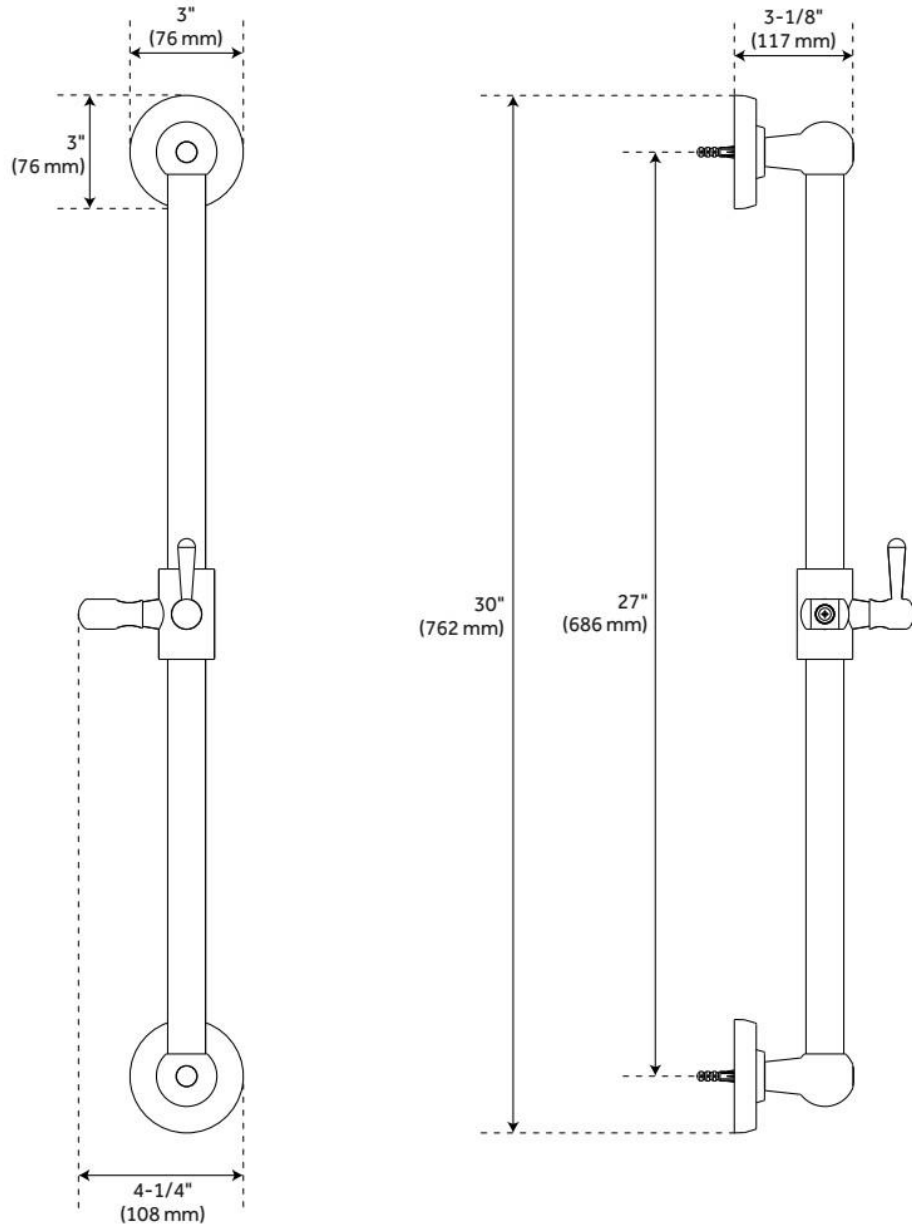
## ADDITIONAL FEATURES

- Metal bar and mounting posts.
- Adjustable angle for handshower mount.

REVISED 11/22/2024

# 30" TRADITIONAL SLIDE BAR FOR HAND SHOWER

SKU: 948916  
Code: SHSB3010



REVISED 11/22/2024

# PINECREST HAND SHOWER

SKU: 948929  
Code: SHHS4090G

## FEATURES

Material: ABS  
Hand Shower Spray: Full  
Hand Shower Flow Rate: 1.8 gpm (6.8 L/min) @ 80 psi



ASME A112.18.1/CSA B125.1, CEC Listed, WaterSense by IAPMO, Massachusetts Accepted, LISTED ID: SHHS4090G\*, SHHS4090G\*\*



## ADDITIONAL FEATURES

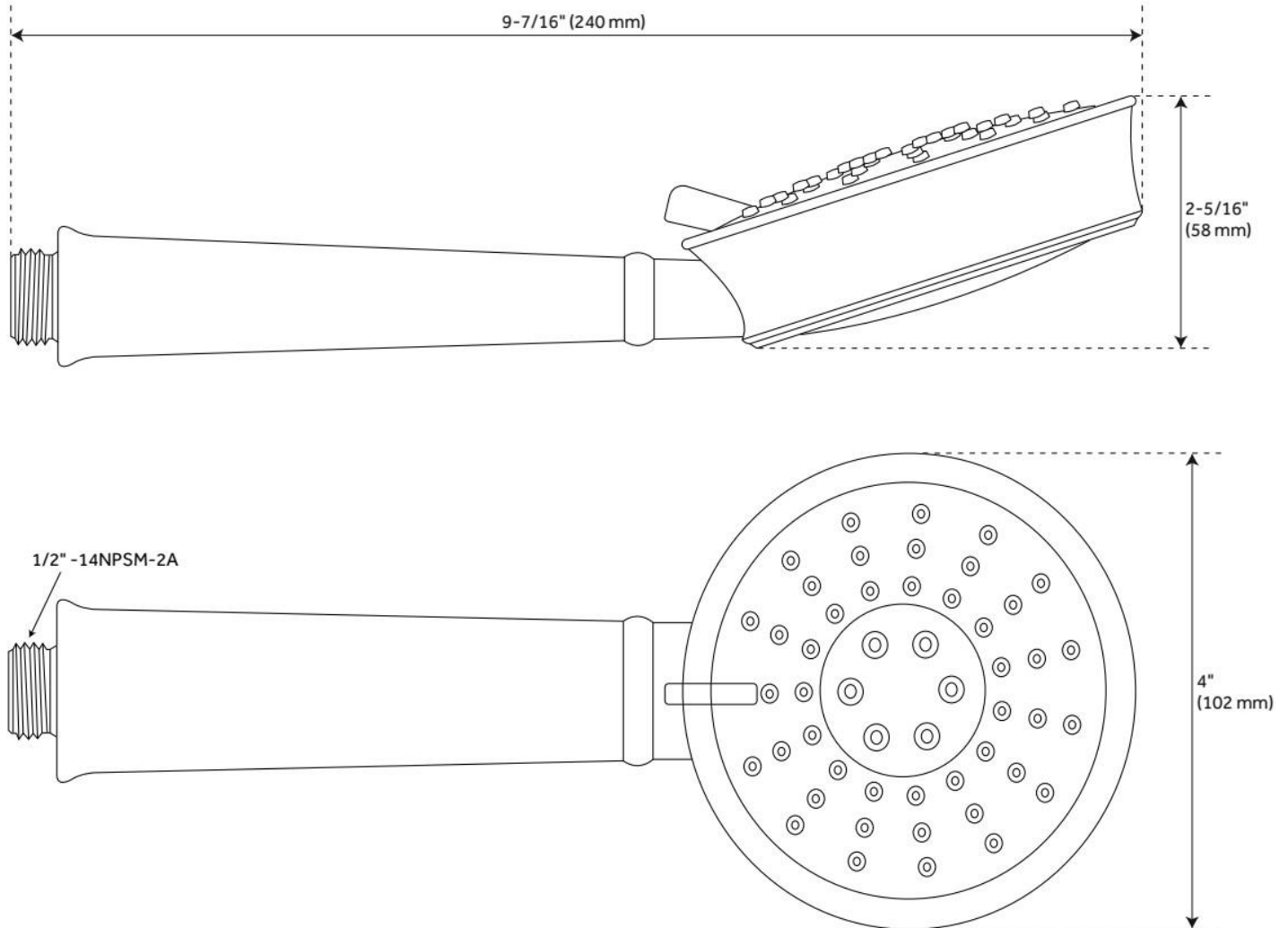
- 3 function hand shower (full spray, massage spray, full & massage spray).
- Easy-clean spray nozzles.
- Factory installed backflow prevention check valve.
- Hose sold separately.

REVISED 5/24/2024

# PINECREST HAND SHOWER

SKU: 948929

Code: SHHS4090G



REVISED 5/24/2024

# 60" METAL HAND SHOWER HOSE

SKU: 948088  
Code: SHH1010

## FEATURES

Connection Type: 1/2" IPS



ASME A112.18.1/CSA B125.1, Massachusetts Accepted, LISTED ID: SHH1010\*



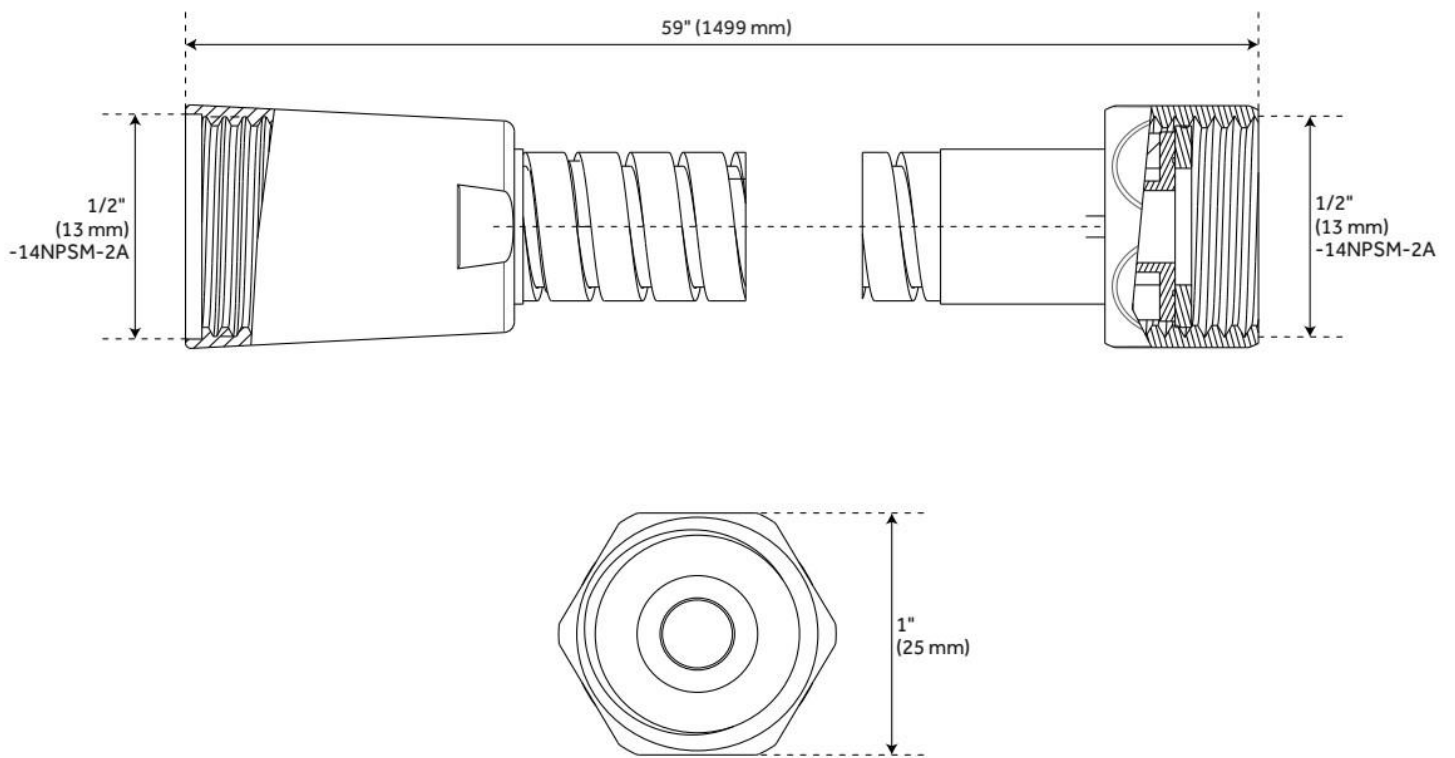
## ADDITIONAL FEATURES

- Hand Sprayer sold separately.
- 60" - 72" stretchable metal shower hose.
- Double spiral constructed hose.

REVISED 6/11/2024

# 60" METAL HAND SHOWER HOSE

SKU: 948088  
Code: SHH1010



REVISED 6/11/2024

# SWIVEL WATER SUPPLY ELBOW AND BRACKET FOR HAND SHOWER

SKU: 948936

Code: SHWES2050, SH485446, SH485535

## FEATURES

Material: Metal, ABS

Connection Type: 1/2" NPT



ASME A112.18.1/CSA B125.1, LISTED ID: SHWES2050xy



## ADDITIONAL FEATURES

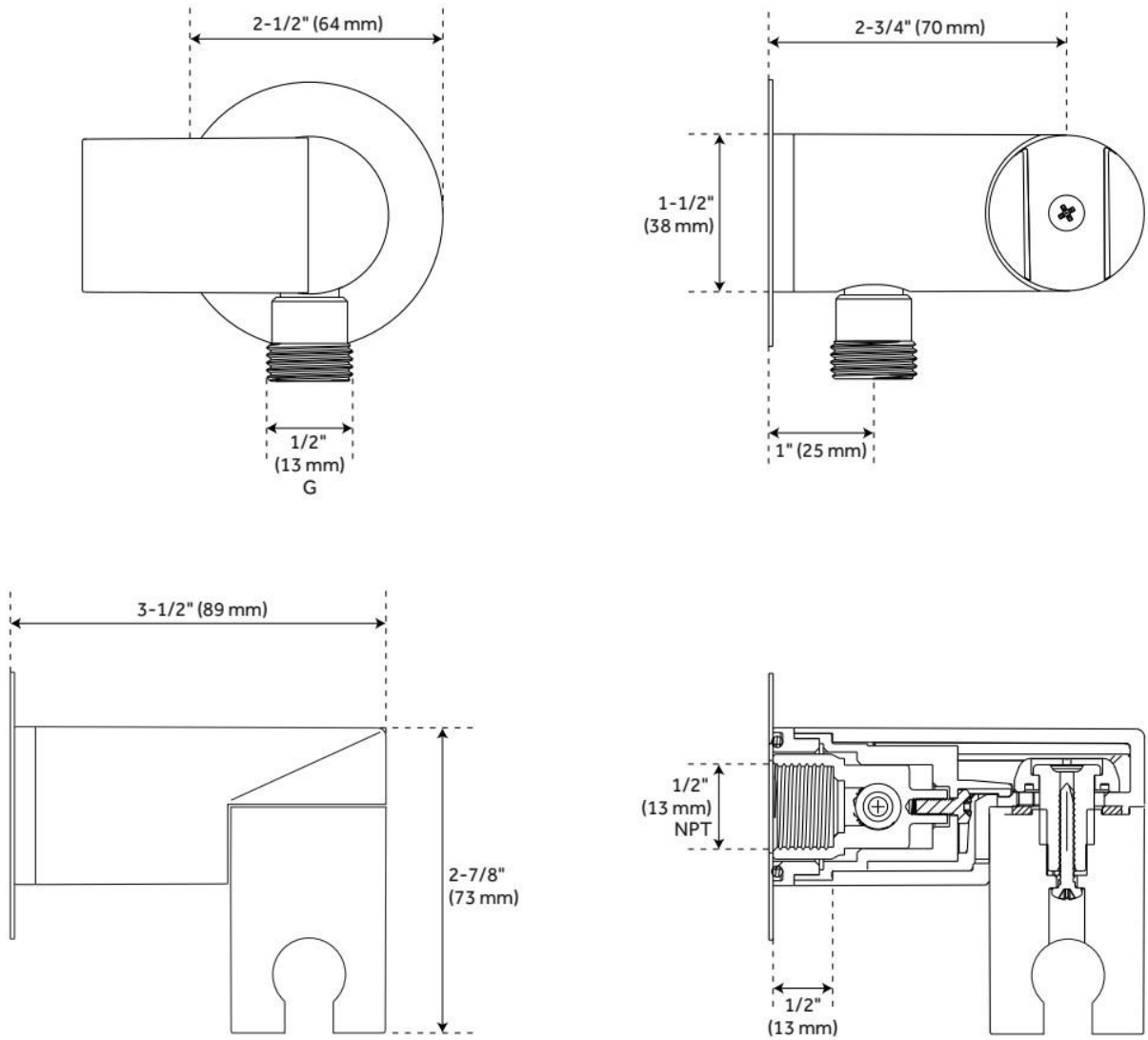
- 1/2" Female wall connection.
- 1/2" Male hose connection.
- Brass inlet/outlet, ABS body.

REVISED 5/24/2024

# SWIVEL WATER SUPPLY ELBOW AND BRACKET FOR HAND SHOWER

SKU: 948936

Code: SHWES2050, SH485446, SH485535



REVISED 5/24/2024



# BEASLEY IN-WALL SHOWER DIVERTER

SKU: 948692

Code: SHBE90052, SH6103



## FEATURES

Material: Brass

Required for Installation: Rough-in valve: SH6103 or SH6101

ASME A112.18.1/CSA B125.1, ASME A112.18.2/CSA B125.2, ICC/ANSI A117.1, Massachusetts Accepted, LISTED ID: SH6103, SHBE90052\*



## ADDITIONAL FEATURES

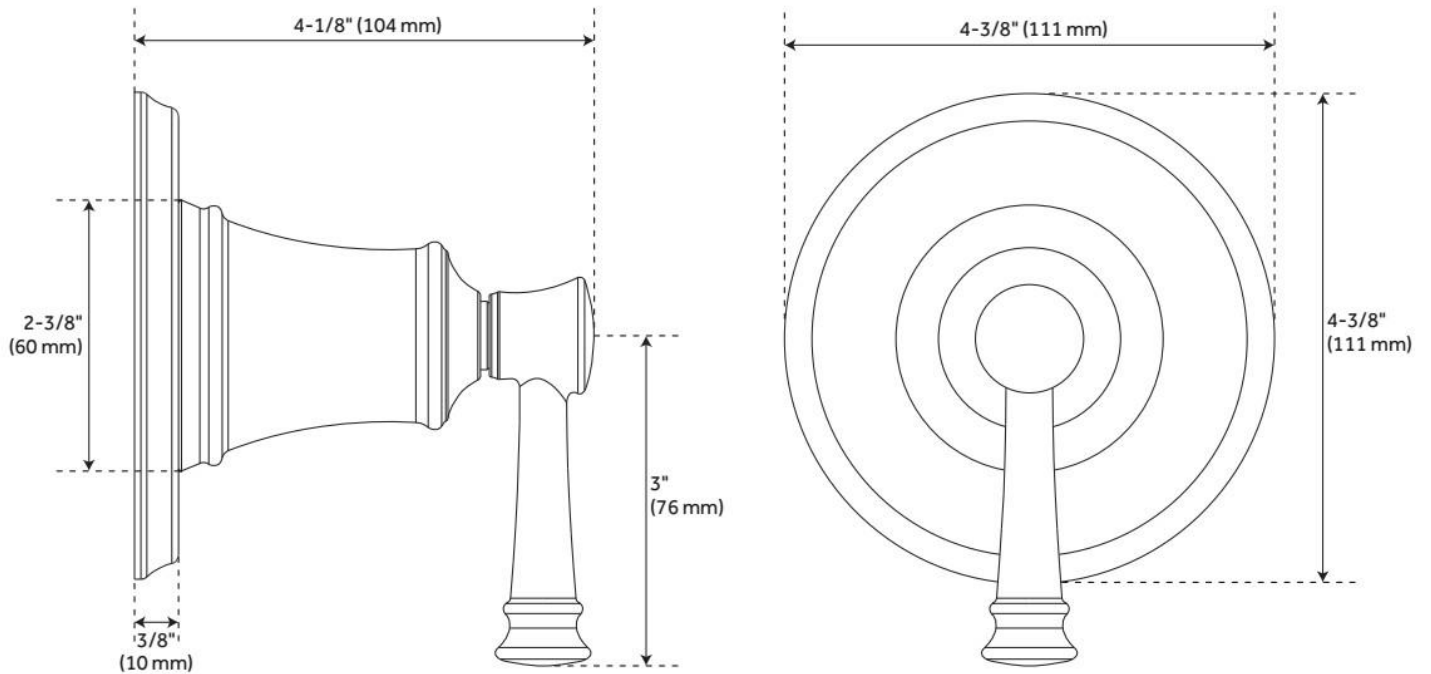
- Metal handle.
- Metal Escutcheon.
- Not intended as a shut off valve.
- Six total settings allow for shared water flow between outlets, giving you the ability to use two functions at once.
- Optional Rough-in Valve:
  - Available Single-Function Diverter Valve Cartridge restricts water flow to one outlet at a time.
  - Brass valve body.
  - Ceramic cartridge.
  - Must be installed in accordance with provided installation instructions.

REVISED 6/11/2024

# BEASLEY IN-WALL SHOWER DIVERTER

SKU: 948692

Code: SHBE90052, SH6103



REVISED 6/11/2024

# BEASLEY IN-WALL SHOWER VOLUME CONTROL

SKU: 948777

Code: SHBE9007, SH6020, SH6040



## FEATURES

Material: Brass

Required for Installation: Rough-in valve: SH6020 or SH6040

ASME A112.18.1/CSA B125.1, ICC/ANSI A117.1, Massachusetts Accepted, LISTED ID: SHBE9007\*, SH6020, SH6040



## ADDITIONAL FEATURES

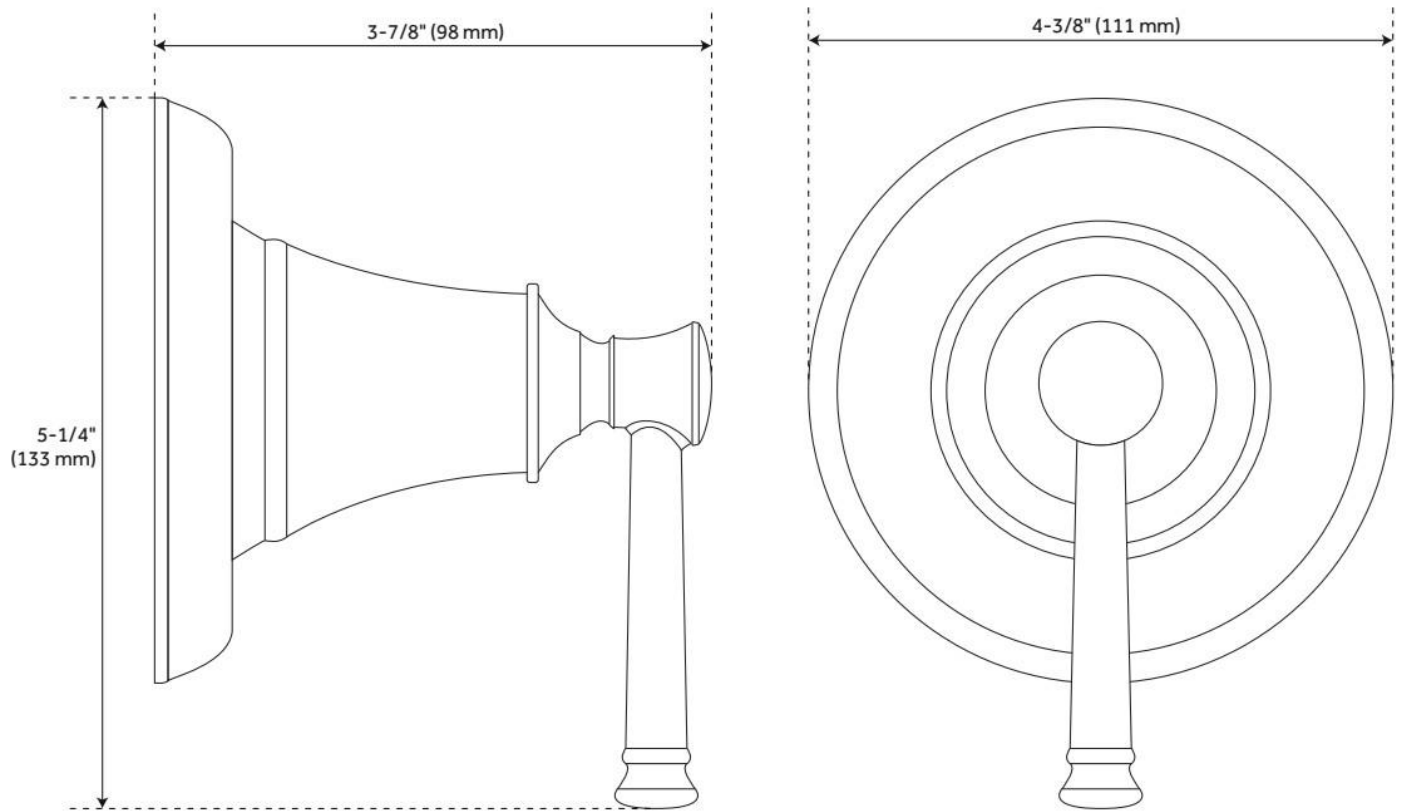
- Overall Projection: 3-7/8".
- Wall thickness range: 1" to 1-3/4".
- For proper installation, requires use of a thermostatic valve and trim.
- Optional Rough-in Valve:
  - Bronze valve body.
  - Ceramic cartridge.
  - Recommended valve installation depth 1-5/8" to 2-3/8".

REVISED 6/11/2024

# BEASLEY IN-WALL SHOWER VOLUME CONTROL

SKU: 948777

Code: SHBE9007, SH6020, SH6040



REVISED 6/11/2024

# BEASLEY THERMOSTATIC SHOWER VALVE

SKU: 948778

Code: SHBE9009, SH6004, SH6006



## FEATURES

Material: Brass

Cartridge Type: Thermostatic

Required for Installation: Rough-in valve: SH6006 or SH6004

ASME A112.18.1/CSA B125.1, Massachusetts Accepted, LISTED ID: SHBE9009\*, SH6004, SH6006



## ADDITIONAL FEATURES

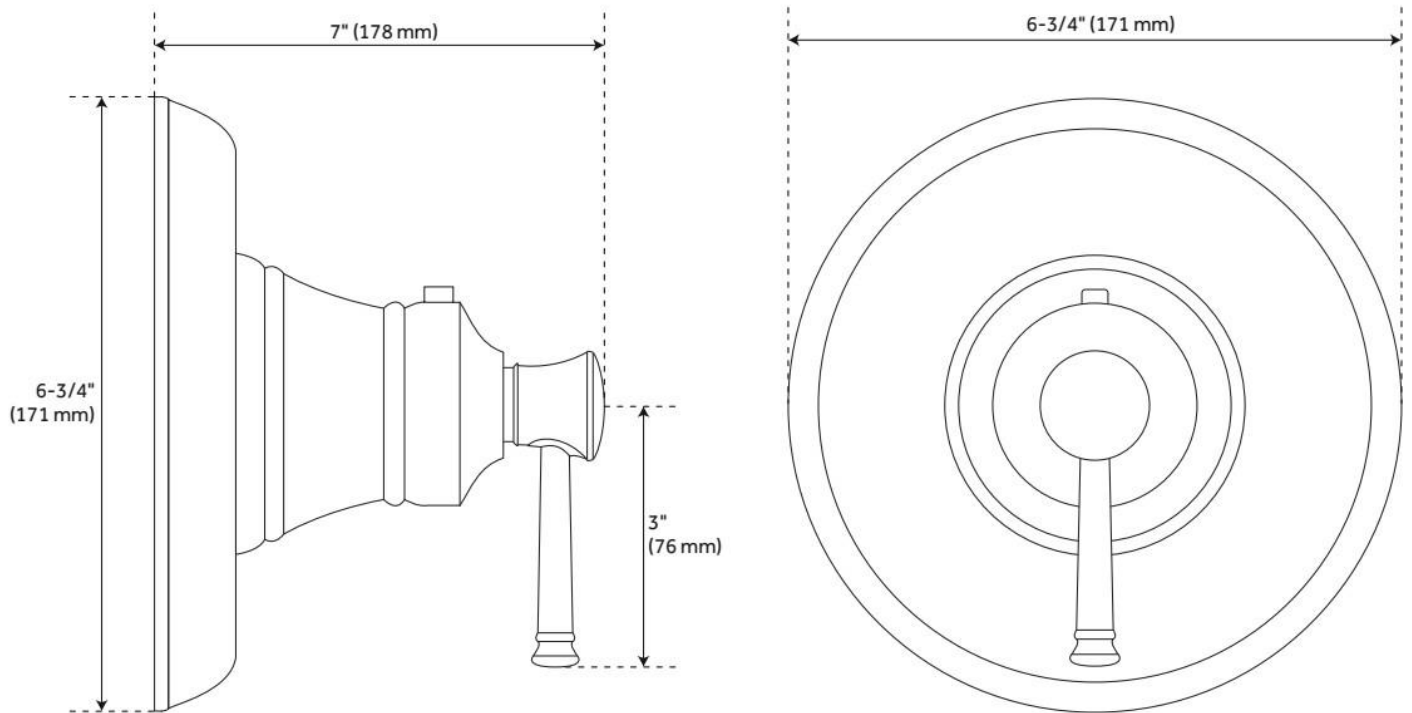
- Overall Projection: 7".
- Temperature outlet factory preset to 104 degrees Fahrenheit.
- Temperature can be easily adjusted up and down to user's comfort level.
- Scald guard protection.
- High temperature limit stop.
- Thermostatic technology keeps shower temperature within 1 degree Celsius.
- For proper installation, requires use of volume control valve and trim.
- Wall thickness range: 1" to 1-3/4".
- Optional Rough-in Valve:
  - Bronze valve body.
  - Ceramic cartridge.
  - Integral water stops and check valve.
  - Recommended valve installation depth 1-5/8" to 2-3/8".

REVISED 6/11/2024

# BEASLEY THERMOSTATIC SHOWER VALVE

SKU: 948778

Code: SHBE9009, SH6004, SH6006



REVISED 6/11/2024

# 3-WAY IN-WALL DIVERTER ROUGH-IN VALVE - 3/4"

SKU: 446519  
Code: SH6103

## FEATURES

Material: Brass  
Cartridge Type: Ceramic Disc



IAPMO, ASME A112.18.1/CSA B125.1, ASME A112.18.2/CSA B125.2, Massachusetts Accepted, LISTED ID: SH6103



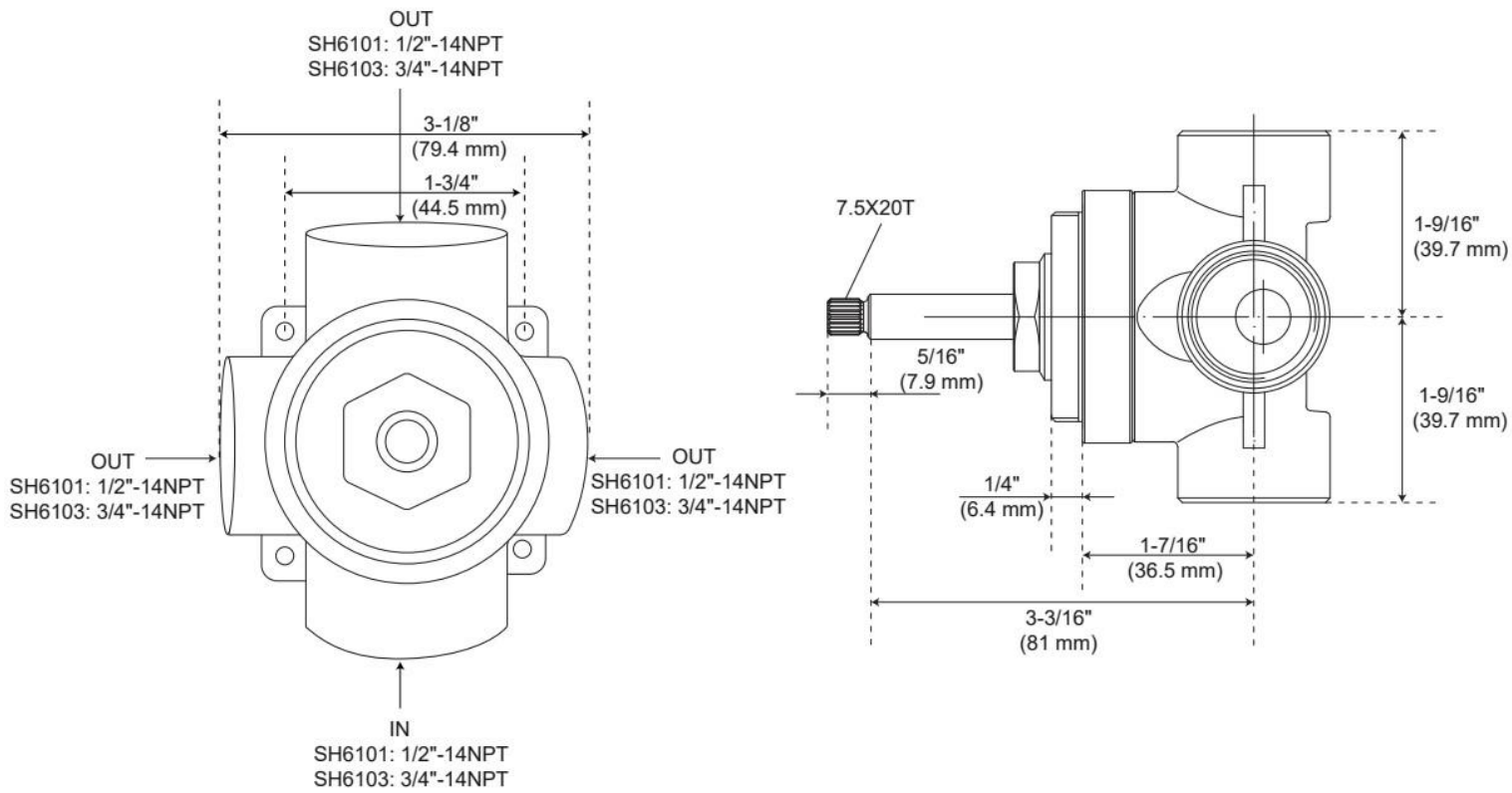
## ADDITIONAL FEATURES

- Six total settings allow for shared water flow between outlets, giving you the ability to use two functions at once.
- Ceramic cartridge.
- Available Single-Function Diverter Valve Cartridge restricts water flow to one outlet at a time.
- Not intended as a shut off valve.
- For installations only requiring 2 outlets, the 3rd outlet may be looped into one of the existing pipes.
- Compatible with Beasley, Berwyn, Boca Raton, Drea, Edenton, Elita, Greyfield, Gunther, Hibiscus, Key West, Lentz, Lexia, Pendleton, Pinecrest, Provincetown, Rigi, Sefina, Vassor and Vilamonte Diverter Trims.

REVISED 10/14/2024

# 3-WAY IN-WALL DIVERTER ROUGH-IN VALVE - 3/4"

SKU: 446519  
Code: SH6103



REVISED 10/14/2024



# VOLUME CONTROL ROUGH-IN VALVE

SKU: 948546

Code: SH6020, SH6040



ASME A112.18.1/CSA B125.1, Massachusetts Accepted, LISTED ID: SH6020, SH6040



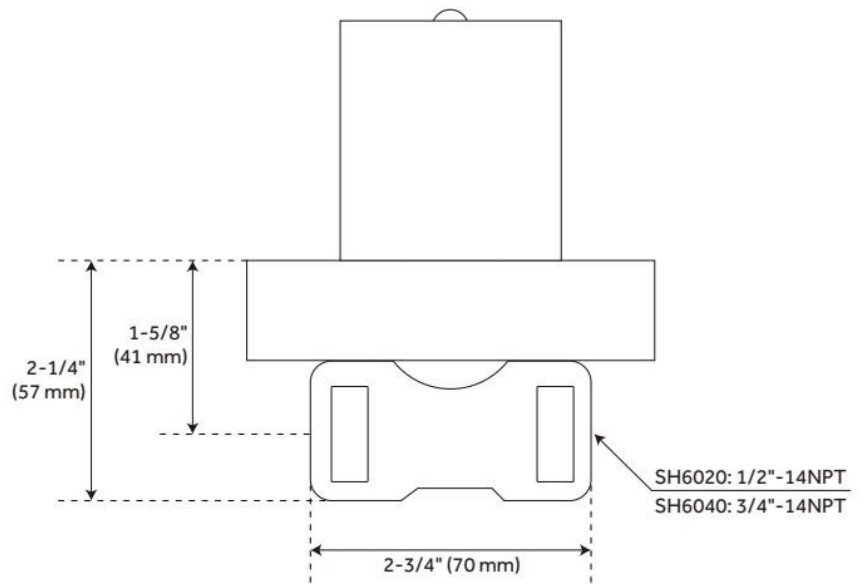
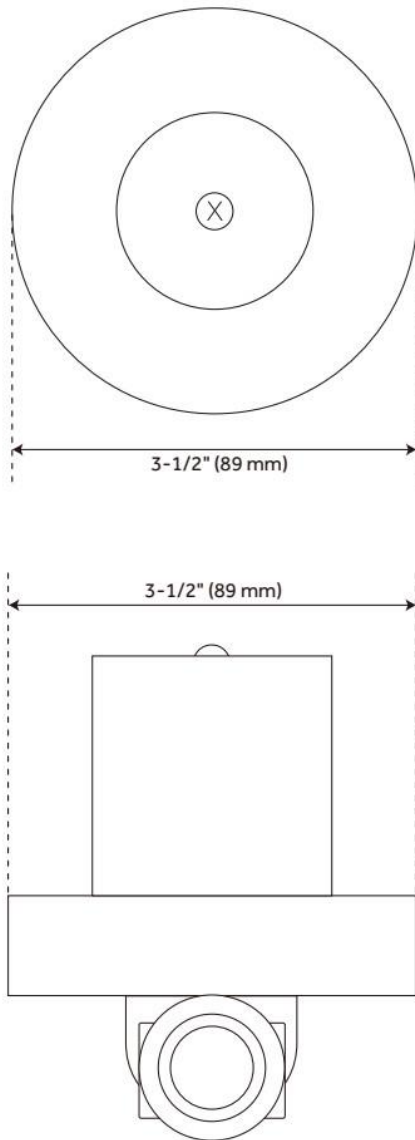
## ADDITIONAL FEATURES

- Intended for use with a thermostatic valve and trim.
- Bronze valve body.
- Ceramic cartridge.
- Compatible with Beasley, Berwyn, Boca Raton, Drea, Edenton, Elita, Greyfield, Gunther, Hibiscus, Key West, Lentz, Lexia, Pendleton, Pinecrest, Provincetown, Rigi, Sefina, Vassor and Vilamonte Volume Control Trims.

REVISED 11/22/2024

# VOLUME CONTROL ROUGH-IN VALVE

SKU: 948546  
Code: SH6020, SH6040



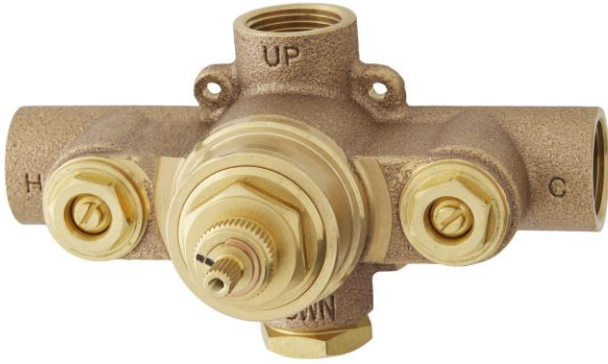
REVISED 11/22/2024

# THERMOSTATIC ROUGH-IN VALVE - 3/4" CONNECTION

SKU: 447694  
Code: SH6006

## FEATURES

Material: Bronze  
Flow Rate: 18.2 gpm (68.9 L/min) @ 80 psi  
Connection Type: 3/4" NPT  
Cartridge Type: Thermostatic



IAPMO, ASME A112.18.1/CSA B125.1, Massachusetts Accepted, LISTED ID: SH6006



## ADDITIONAL FEATURES

- Compatible with Beasley, Berwyn, Boca Raton, Drea, Edenton, Elita, Greyfield, Gunther, Hibiscus, Key West, Lentz, Lexia, Pendleton, Pinecrest, Provincetown, Rigi, Sefina, Vassor and Vilamonte Thermostatic Valve Trim.
- For proper installation, requires use of volume control valve and trim.
- Bronze valve body.
- Factory-calibrated comfort setting at 104 degrees Fahrenheit.
- Water inlet stops and check valve.
- Thermostatic technology keeps shower temperature  $\pm 1$  degree Celsius.

REVISED 10/21/2024