

GREYFIELD PRESSURE BALANCE TUB AND SHOWER SYSTEM

SKU: 953968

Code: SHGF8010, SH4001, SHRSA123, SHRSB820RG, SHTS86, SHRSB82



FEATURES

Material: Brass, ABS

Shower Head Swivel: Yes

Connection Type: 1/2" MIP and SWT

Cartridge Type: Ceramic Disc

ASME A112.18.1/CSA B125.1, ASSE 1016 Type P, CEC Listed, WaterSense by IAPMO, Massachusetts Accepted, LISTED ID: SH4001, SHGF8010*, SHTS86*, SHRSB820RG*, SHRSA123*



ADDITIONAL FEATURES

System includes: Greyfield Pressure Balance Shower Valve Trim:

- Metal handle.

Pressure Balance Tub & Shower Rough-In Valve:

- Ceramic disc valve cartridge.
- Cast bronze valve body.

12" Wall-Mount Rainfall Shower Arm:

- Solid brass construction.
- Escutcheon included.

8" Modern Round Rainfall Shower Head - 1.8 GPM:

- Single function shower head (full spray).

Greyfield Tub Spout with Diverter:

- 1/2" Slip-fit connection.

REVISED 6/14/2024

GREYFIELD PRESSURE BALANCE SHOWER VALVE

SKU: 948890

Code: SHGF8010, SH4001, SH484194, SH484195, SH485507, SH485520



FEATURES

Material: Brass

Required for Installation: Rough-in valve: SH4001

ASME A112.18.1/CSA B125.1, ASSE 1016 Type P, Massachusetts Accepted, LISTED ID: SHGF8010*, SH4001



ADDITIONAL FEATURES

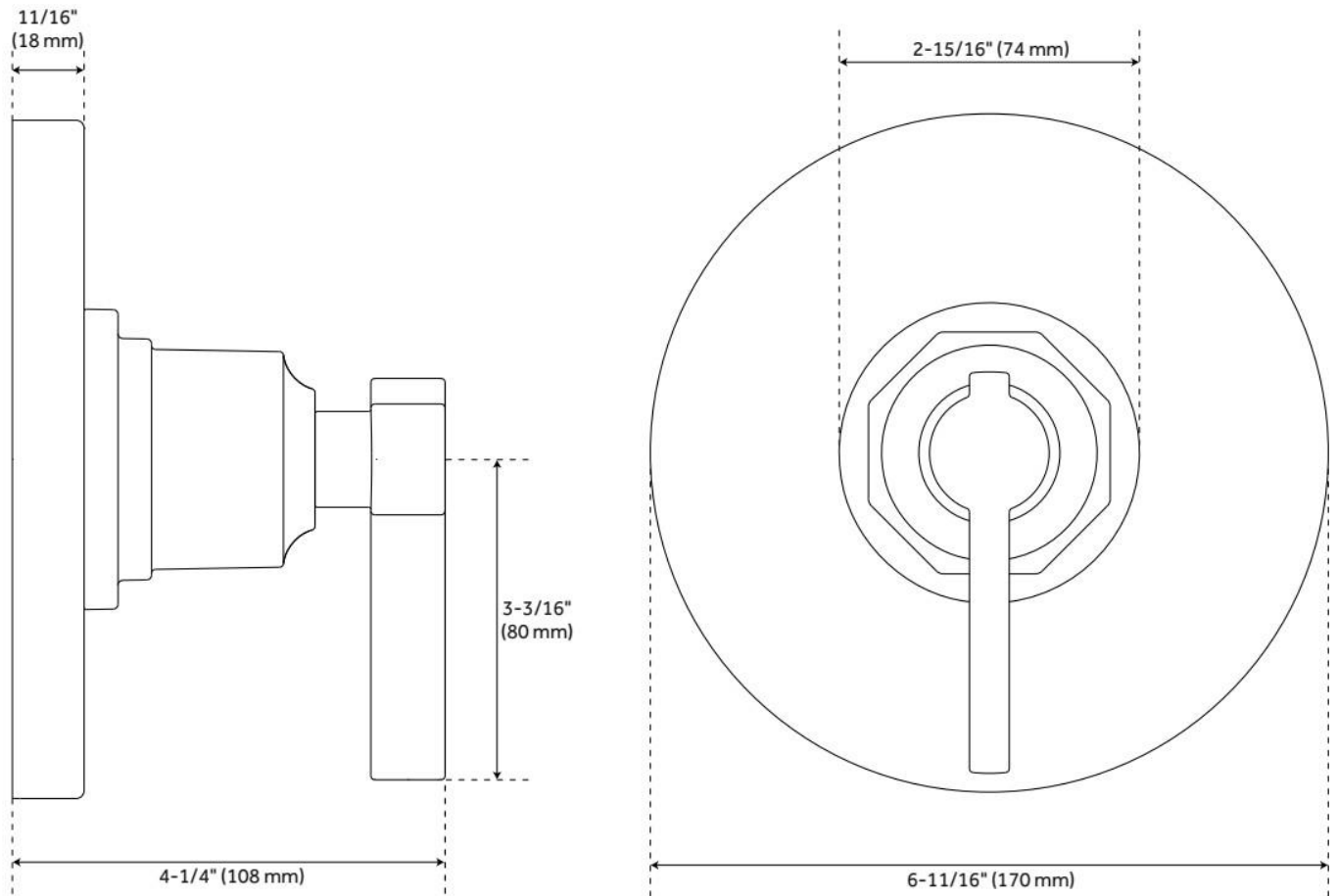
- Metal handle.
- Metal escutcheon.
- Optional Rough-in Valve:
 - Pressure balance valve with integral stops.
 - One-piece cartridge design for ease of maintenance.
 - Back-to-back capability.
 - Ceramic disc valve cartridge.
 - Cast bronze valve body.
 - Adjustable temperature limit stop.
 - Quick remove plaster guard.
 - Easy mounting brackets.

REVISED 6/4/2024

GREYFIELD PRESSURE BALANCE SHOWER VALVE

SKU: 948890

Code: SHGF8010, SH4001, SH484194, SH484195, SH485507, SH485520



REVISED 6/4/2024

8" MODERN ROUND RAINFALL SHOWER HEAD - 1.75 GPM

SKU: 948948-18

Code: SHRSB820RG, SH484203, SH485499, SHRSB820RGPB



FEATURES

Material: ABS

Shower Head Swivel: Yes

Flow Rate: 1.75 gpm (6.6 L/min) @ 80 psi

ASME A112.18.1/CSA B125.1, CEC Listed, WaterSense by IAPMO, Massachusetts Accepted, LISTED ID:
SHRSB820RG*



ADDITIONAL FEATURES

- Single function shower head (full spray).
- Easy clean rubber nozzles.
- Brass ball joint.

REVISED 11/22/2024

8" MODERN ROUND RAINFALL SHOWER HEAD - 1.75 GPM



All dimensions and specifications are nominal and may vary. Use actual products for accuracy in critical situations.

WALL-MOUNT RAINFALL SHOWER ARM

SKU: 948955

Code: SHRSA180, SHRSA120, SHRSA181, SHRSA123

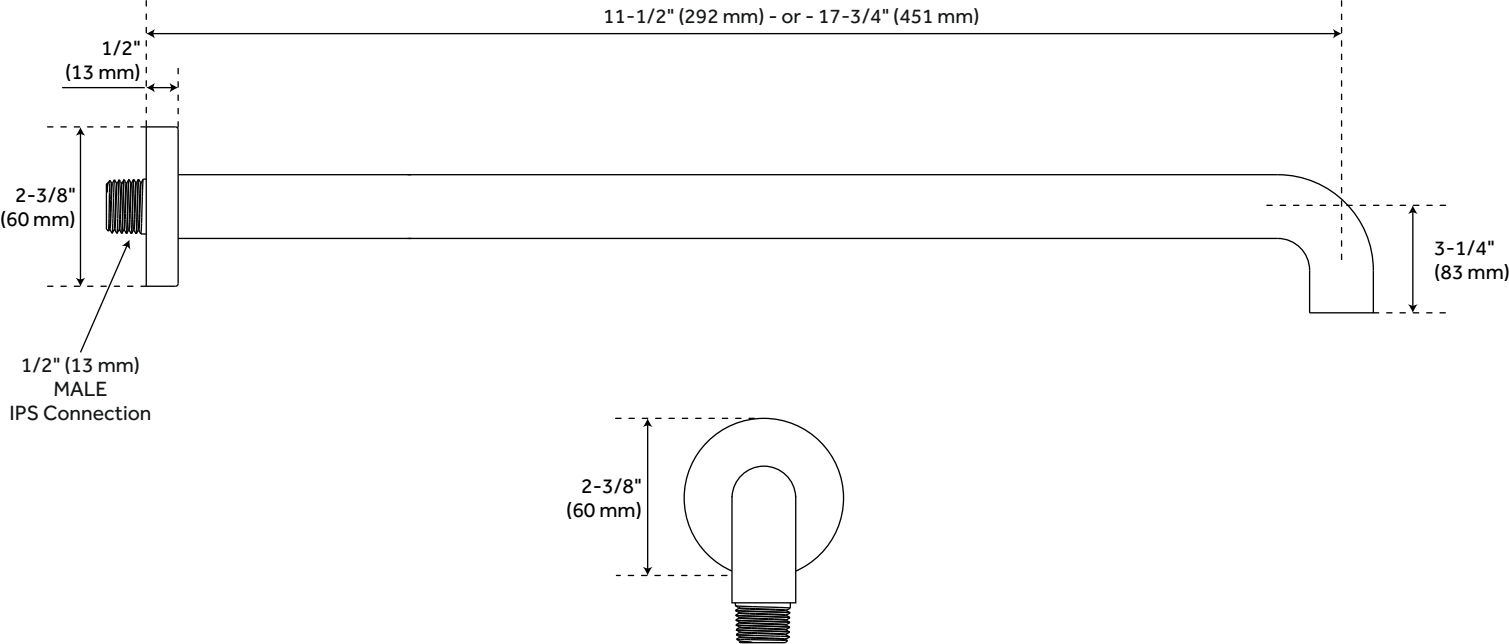


ADDITIONAL FEATURES

- All dimensions are ($\pm 1/2''$).
- Escutcheon included.

REVISED 2/1/2024

WALL-MOUNT RAINFALL SHOWER ARM



All dimensions and specifications are nominal and may vary. Use actual products for accuracy in critical situations.

GREYFIELD TUB SPOUT WITH DIVERTER

SKU: 948965

Code: SHTS86, SH485195, SH485513



FEATURES

Material: Metal

Connection Type: 1/2" CTS Slip-Fit

Faucet Centers: Single-Hole

ASME A112.18.1/CSA B125.1, CEC Listed, Massachusetts Accepted, LISTED ID: SHTS86*



ADDITIONAL FEATURES

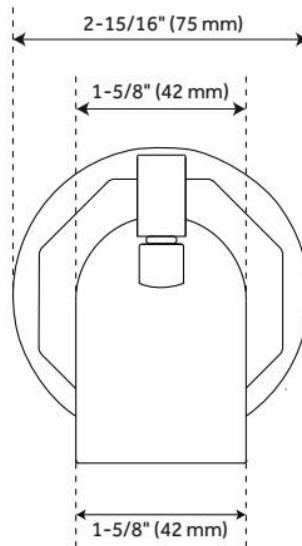
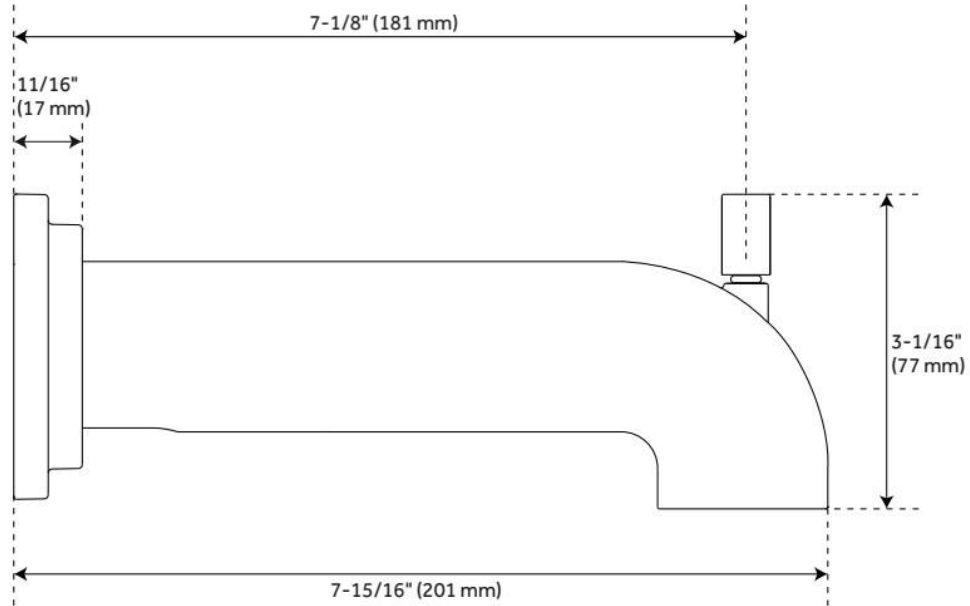
- 1/2" Slip-fit connection.

REVISED 5/29/2024

GREYFIELD TUB SPOUT WITH DIVERTER

SKU: 948965

Code: SHTS86, SH485195, SH485513



REVISED 5/29/2024

PRESSURE BALANCE TUB & SHOWER ROUGH-IN VALVE

SKU: 446520
Code: SH4001



FEATURES

Material: Brass
Flow Rate: 6.34 gpm (24.0 L/min) @ 80 psi
Connection Type: 1/2" MIP and SWT
Cartridge Type: Ceramic Disc

IAPMO, ASME A112.18.1/CSA B125.1, ASSE 1016 Type P, Massachusetts Accepted, LISTED ID: SH4001



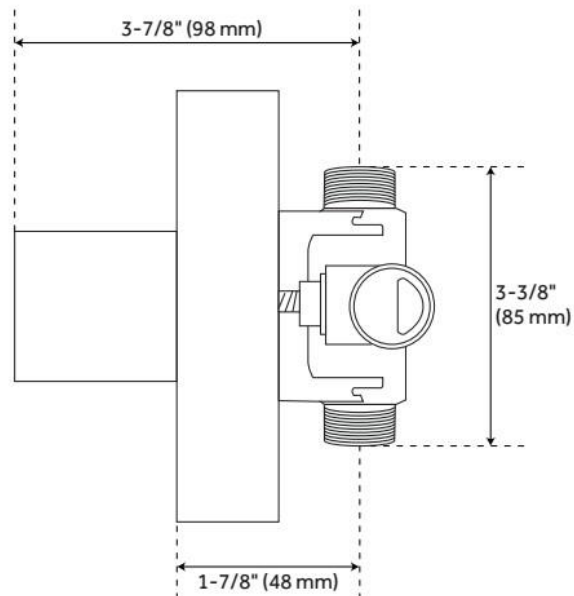
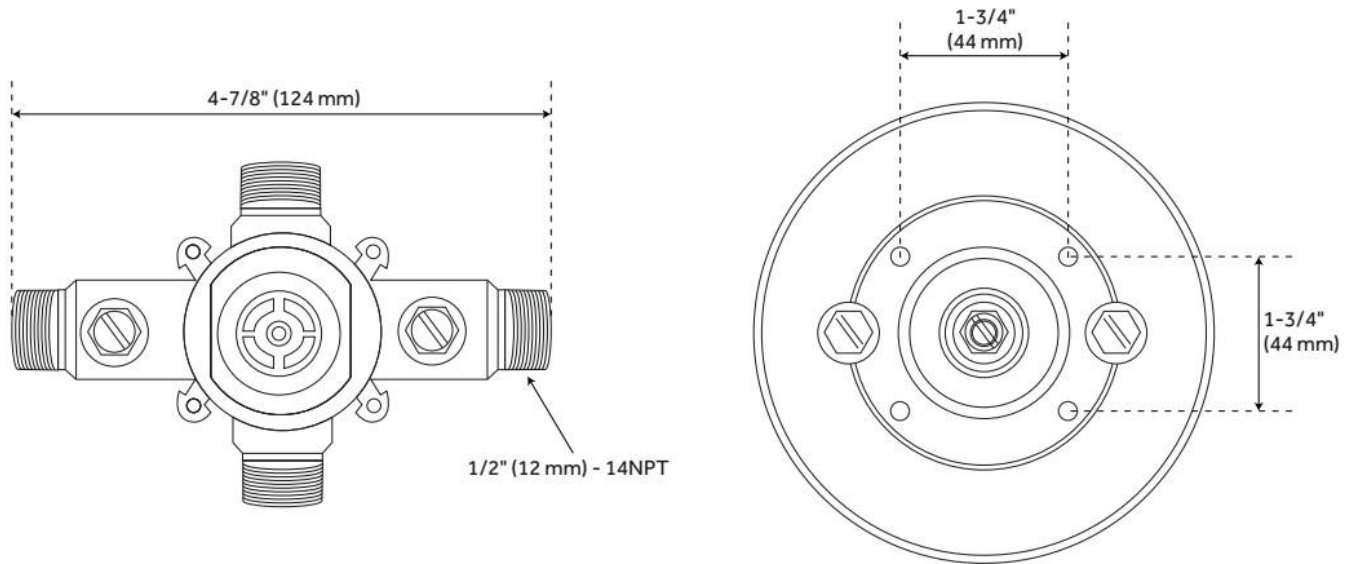
ADDITIONAL FEATURES

- Pressure balance valve with integral stops.
- One-piece ceramic cartridge design for ease of maintenance.
- Back-to-back capability
- Adjustable temperature limit stop.
- Quick remove plaster guard and easy mounting brackets.

REVISED 11/27/2024

PRESSURE BALANCE TUB & SHOWER ROUGH-IN VALVE

SKU: 446520
Code: SH4001



REVISED 11/27/2024