

GREYFIELD PRESSURE BALANCE SHOWER SYSTEM WITH SLIDE BAR AND HAND SHOWER

SKU: 953969

Code: SHGF8010, SH4001, SHRSA123, SHRSB820RG, SHHS4110G, SHH1010, SHWE2040, SHSB3040, SHGF9005, SH6103



FEATURES

Material: Brass, ABS

Shower Head Swivel: Yes

Shower Head Spray: Rainfall

Shower Head Flow Rate: 1.75 gpm (6.6 L/min) @ 80 psi

Hand Shower Spray: Full, Massage, Massage + Full

Hand Shower Flow Rate: 1.8 gpm (6.8 L/min) @ 80 psi

Flow Rate: Rough-in Valve Capacity: 6.3 gpm (23.8 L/min) @ 80 psi

Connection Type: 1/2" MIP and SWT

Diverter Outlets: 3

Cartridge Type: Ceramic Disc

ASME A112.18.1/CSA B125.1, ASME A112.18.2/CSA B125.2, ASSE 1016 Type P, CEC Listed, WaterSense by IAPMO, Massachusetts Accepted, LISTED ID: SH6103, SHGF8010*, SHGF9005*, SH4001, SHH1010*, SHRSB820RG*, SHRSA123*, SHHS4110G*, SHWE2040*, N/A



ADDITIONAL FEATURES

Greyfield Pressure Balance Shower Valve Trim:

- Metal handle.

Pressure Balance Tub & Shower Rough-In Valve:

- Pressure balance valve with integral stops.

12" Wall-Mount Rainfall Shower Arm:

- Solid brass construction.

8" Modern Round Rainfall Shower Head: - 1.8 GPM:

- Single function shower head (full spray).

Round Paddle Multifunction Hand Shower:

- 3 function hand shower (full spray, massage spray, full & massage spray).

Swivel Water Supply Elbow and Bracket for Hand Shower :

- 1/2" Female and Male connection.

REVISED 9/11/2025

8" MODERN ROUND RAINFALL SHOWER HEAD -1.75 GPM

SKU: 948948-18
Code: SHRSB820RG



FEATURES

Material: ABS
Shower Head Swivel: Yes
Shower Head Spray: Rainfall
Shower Head Flow Rate: 1.75 gpm (6.6 L/min) @ 80 psi
Connection Type: NPSM

ASME A112.18.1/CSA B125.1, CEC Listed, WaterSense by IAPMO, Massachusetts Accepted, LISTED ID: SHRSB820RG*



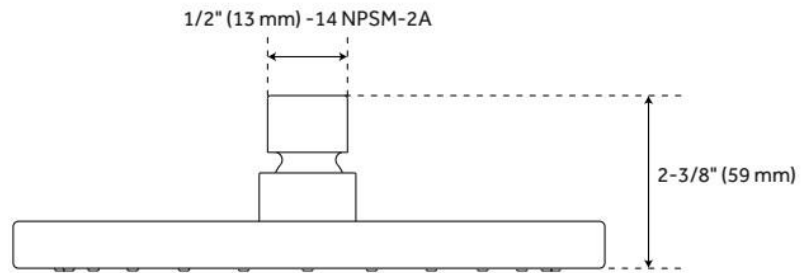
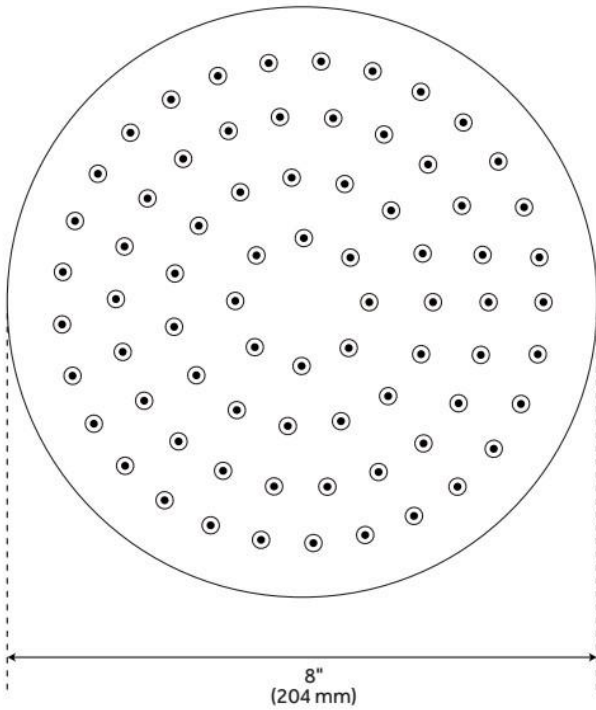
ADDITIONAL FEATURES

- Single function shower head (full spray).
- Easy clean rubber nozzles.
- Brass ball joint.

REVISED 9/10/2025

8" MODERN ROUND RAINFALL SHOWER HEAD -1.75 GPM

SKU: 948948-18
Code: SHRSB820RG



REVISED 9/10/2025

WALL-MOUNT RAINFALL SHOWER ARM

SKU: 948955

Code: SHRSA123, SHRSA181, SHRSA150

FEATURES

Material: Stainless Steel

Connection Type: NPT, IPS



ASME A112.18.1/CSA B125.1, Massachusetts Accepted, LISTED ID: SHRSA123*, SHRSA181*, SHRSA150*



ADDITIONAL FEATURES

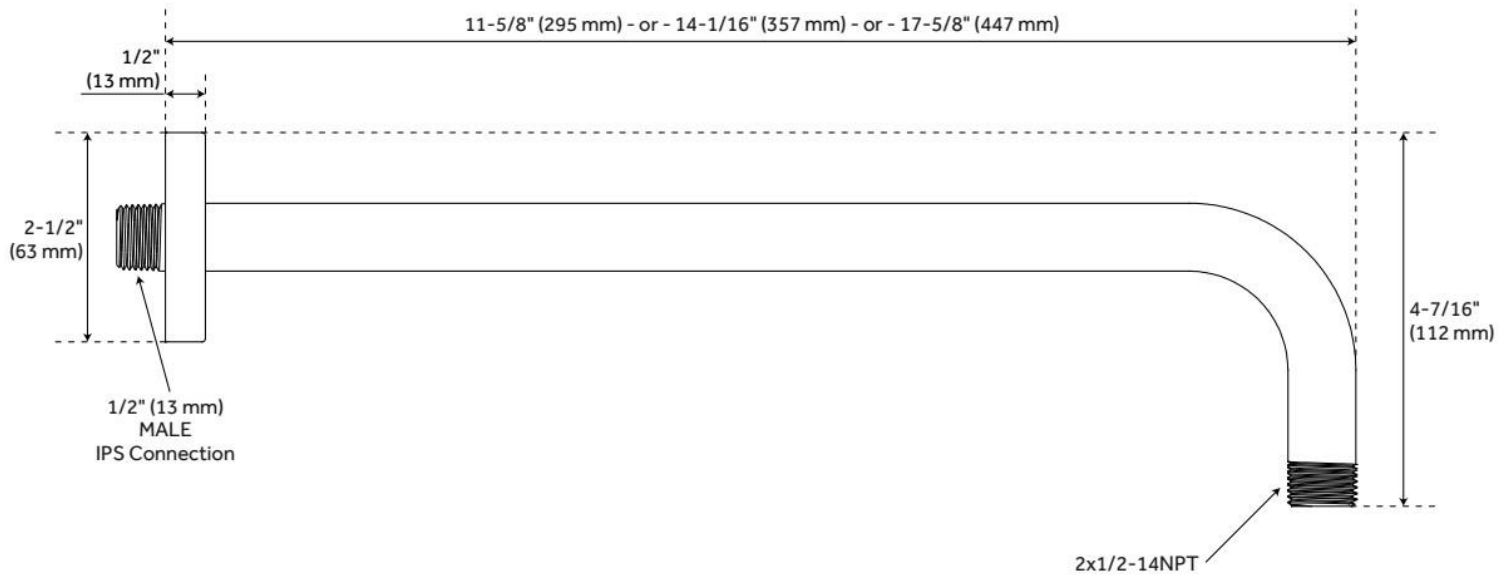
- All dimensions are ($\pm 1/2$ ").
- Escutcheon included.

REVISED 9/10/2025

WALL-MOUNT RAINFALL SHOWER ARM

SKU: 948955

Code: SHRSA123, SHRSA181, SHRSA150



REVISED 9/10/2025

CONTEMPORARY SLIDE BAR FOR HAND SHOWER

SKU: 948919
Code: SHSB3040

FEATURES



LISTED ID: N/A

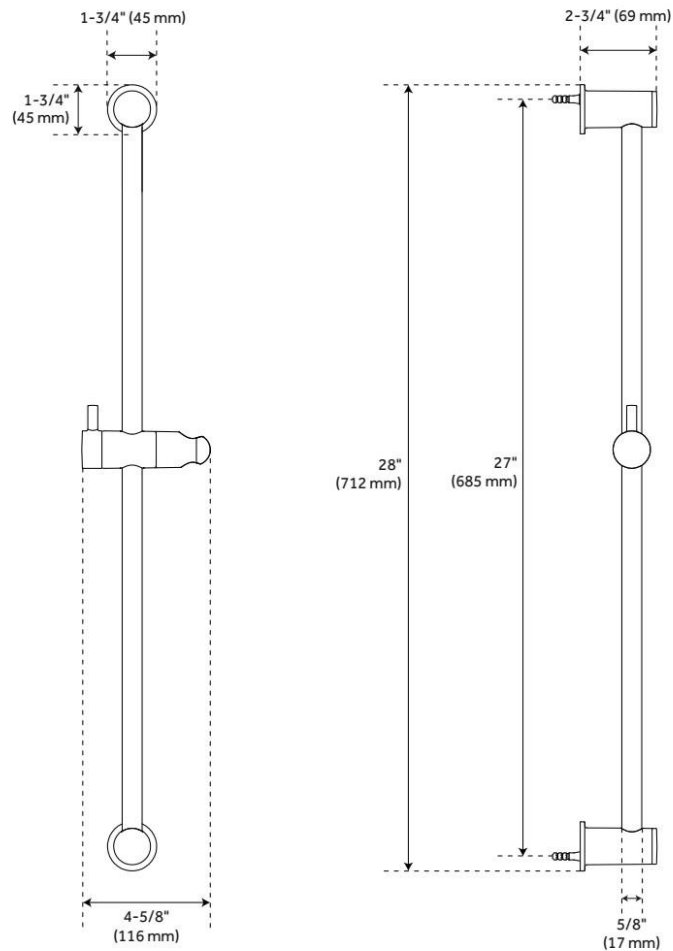
ADDITIONAL FEATURES

- Adjustable angle for hand shower mount.

REVISED 9/11/2025

CONTEMPORARY SLIDE BAR FOR HAND SHOWER

SKU: 948919
Code: SHSB3040



REVISED 9/11/2025

ROUND PADDLE MULTIFUNCTION HAND SHOWER

SKU: 948920
Code: SHHS4110G

FEATURES

Material: ABS

Hand Shower Spray: Full, Massage, Massage + Full

Hand Shower Flow Rate: 1.8 gpm (6.8 L/min) @ 80 psi



ASME A112.18.1/CSA B125.1, CEC Listed, WaterSense by IAPMO, Massachusetts Accepted, LISTED ID: SHHS4110G*



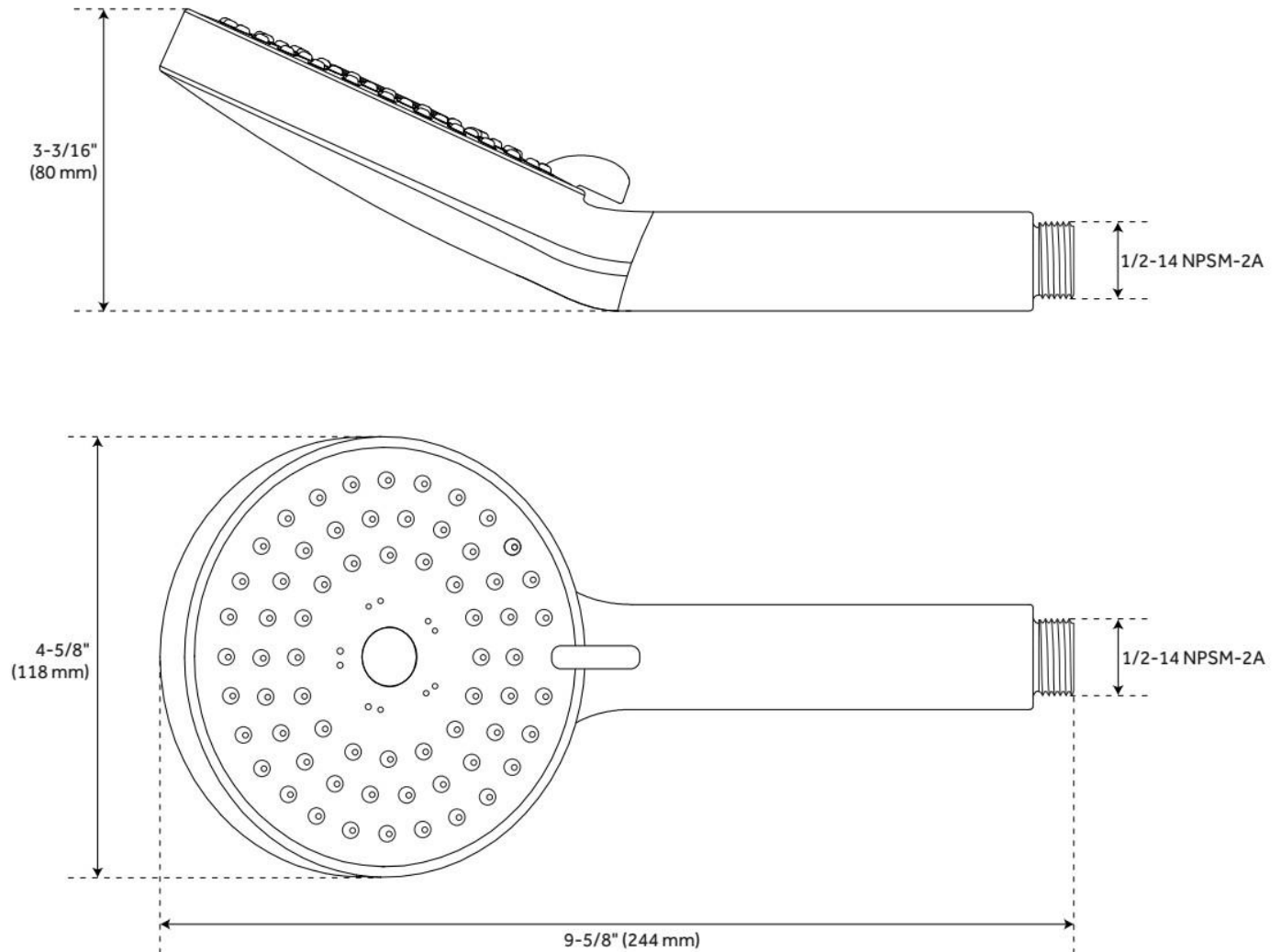
ADDITIONAL FEATURES

- 3 function hand shower (full spray, massage spray, full & massage spray).
- Easy-clean spray nozzles.
- Factory installed backflow prevention check valve.
- Hose sold separately.

REVISED 9/11/2025

ROUND PADDLE MULTIFUNCTION HAND SHOWER

SKU: 948920
Code: SHHS4110G



REVISED 9/11/2025

60" STRETCHABLE METAL HAND SHOWER HOSE

SKU: 948938
Code: SHH1010

FEATURES

Material: Metal
Connection Type: 1/2" IPS



ASME A112.18.1/CSA B125.1, Massachusetts Accepted, LISTED ID: SHH1010*



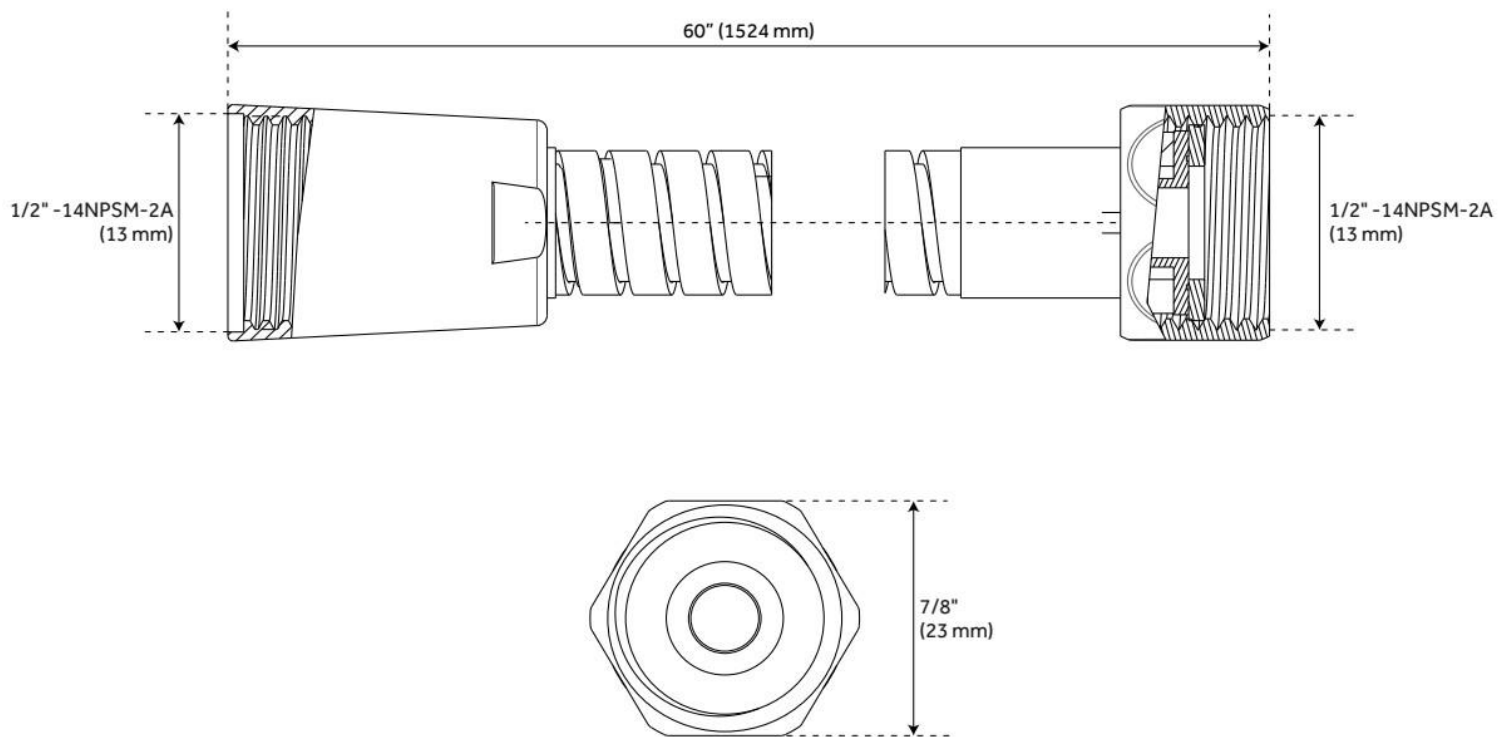
ADDITIONAL FEATURES

- 60" - 72" stretchable metal shower hose.
- Double spiral construction.
- Metal conical nut.

REVISED 9/11/2025

60" STRETCHABLE METAL HAND SHOWER HOSE

SKU: 948938
Code: SHH1010



REVISED 9/11/2025

CONTEMPORARY ROUND WATER SUPPLY ELBOW FOR HAND SHOWER

SKU: 932365
Code: SHWE2040



FEATURES

Material: Metal
Connection Type: 1/2" NPT

ASME A112.18.1/CSA B125.1, Massachusetts Accepted, LISTED ID: SHWE2040*



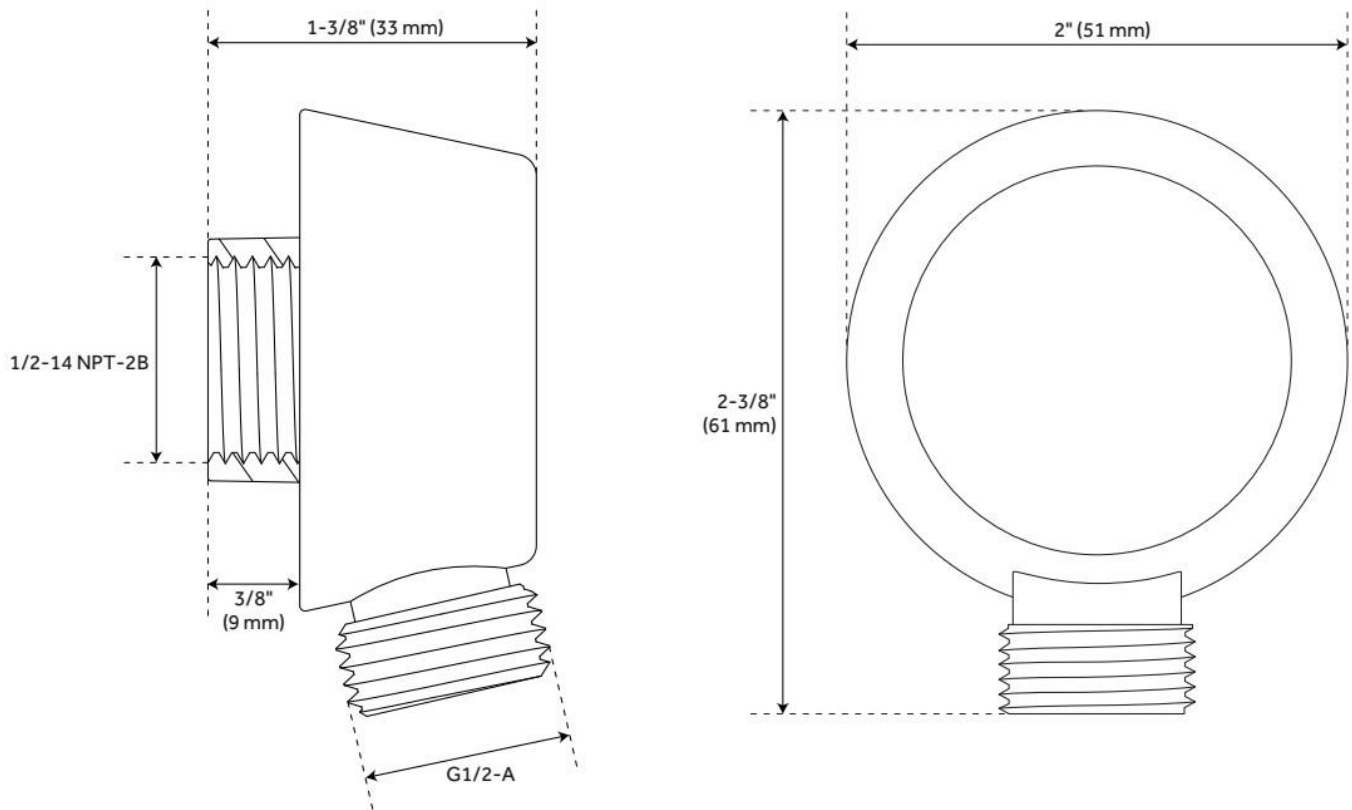
ADDITIONAL FEATURES

- 1/2" Female wall connection.
- 1/2" Male hose connection.

REVISED 9/11/2025

CONTEMPORARY ROUND WATER SUPPLY ELBOW FOR HAND SHOWER

SKU: 932365
Code: SHWE2040



REVISED 9/11/2025

GREYFIELD IN-WALL SHOWER DIVERTER

SKU: 948901

Code: SHGF9005, SH6103



FEATURES

Material: Brass

Connection Type: NPT

ASME A112.18.1/CSA B125.1, ASME A112.18.2/CSA B125.2, ICC/ANSI A117.1, Massachusetts Accepted, LISTED ID: SHGF9005*, SH6103



ADDITIONAL FEATURES

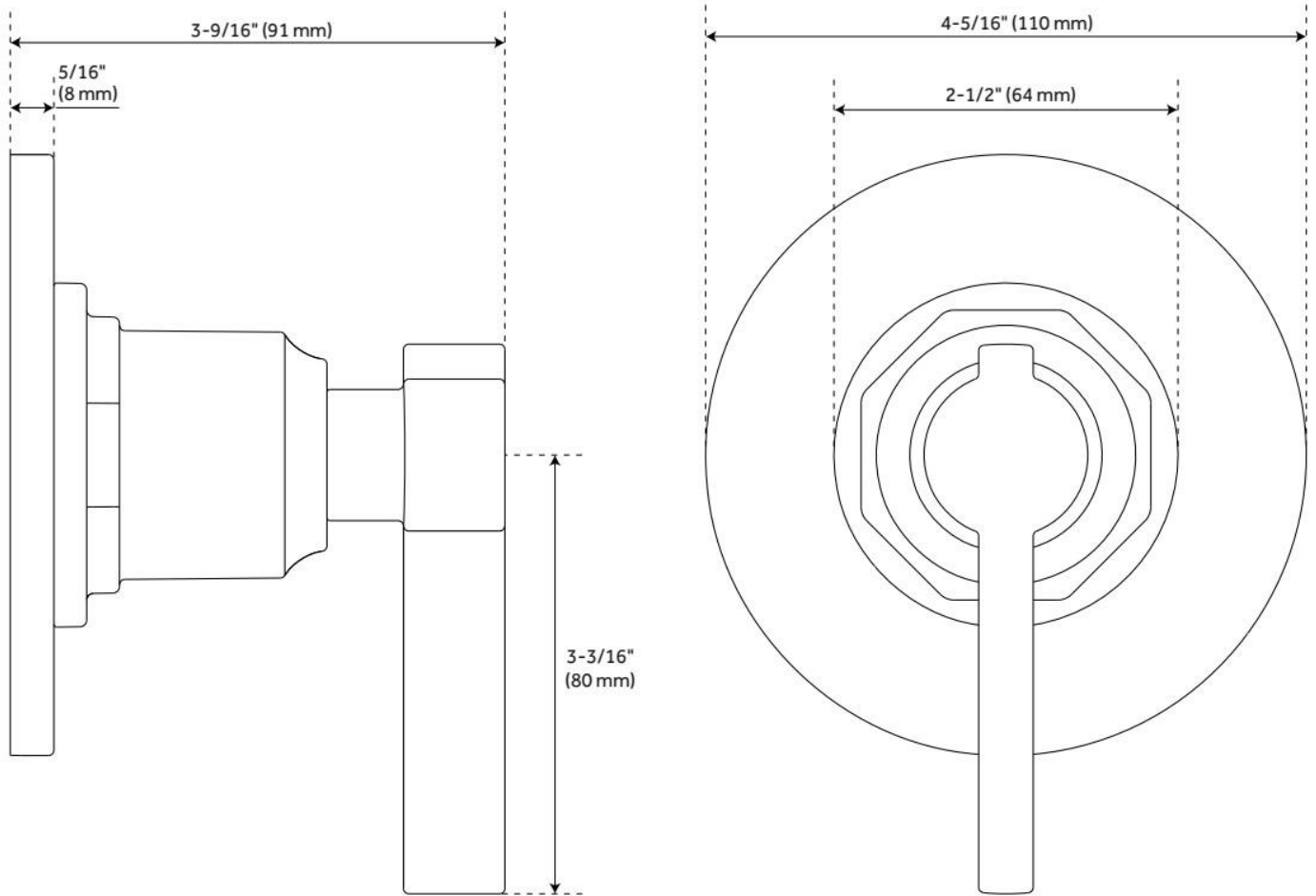
- Metal handle.
- Metal Escutcheon.
- Not intended as a shut off valve.
- Six total settings allow for shared water flow between outlets, giving you the ability to use two functions at once.
- Optional Rough-in Valve:
 - Available Single-Function Diverter Valve Cartridge restricts water flow to one outlet at a time.
 - Brass valve body.
 - Ceramic cartridge.
 - Must be installed in accordance with provided installation instructions.

REVISED 9/10/2025

GREYFIELD IN-WALL SHOWER DIVERTER

SKU: 948901

Code: SHGF9005, SH6103



REVISED 9/10/2025

GREYFIELD PRESSURE BALANCE SHOWER VALVE

SKU: 948890

Code: SHGF8010, SH4001



FEATURES

Material: Brass

Flow Rate: Rough-in Valve Capacity: 6.3 gpm (23.8 L/min) @ 80 psi

Connection Type: NPT

Required for Installation: Rough-in valve: SH4001

ASME A112.18.1/CSA B125.1, ASSE 1016 Type P, ICC/ANSI A117.1, Massachusetts Accepted, LISTED ID: SHGF8010*, SH4001



ADDITIONAL FEATURES

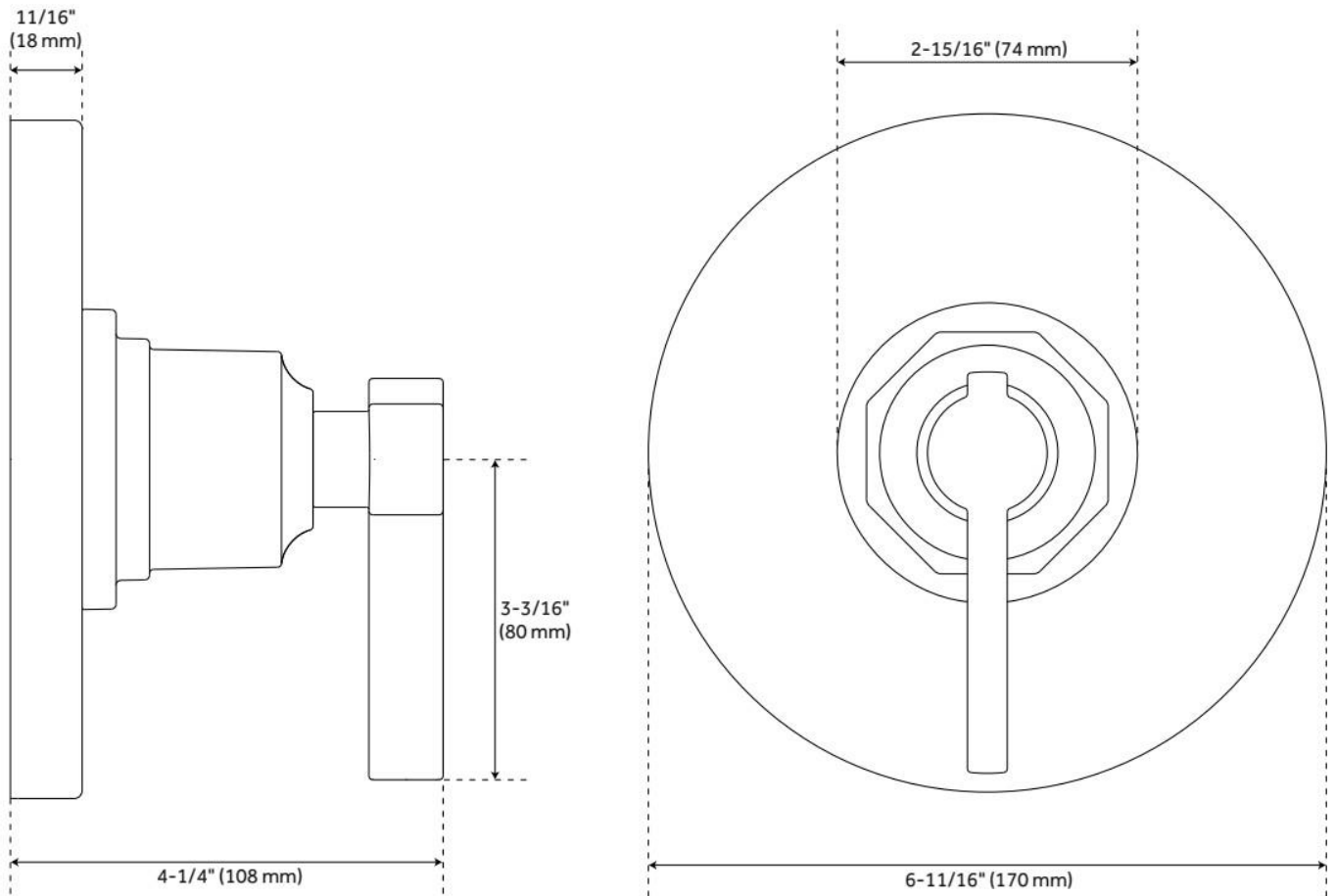
- Metal handle.
- Metal escutcheon.
- Optional Rough-in Valve:
 - Pressure balance valve with integral stops.
 - One-piece cartridge design for ease of maintenance.
 - Back-to-back capability.
 - Ceramic disc valve cartridge.
 - Cast bronze valve body.
 - Adjustable temperature limit stop.
 - Quick remove plaster guard.
 - Easy mounting brackets.

REVISED 9/10/2025

GREYFIELD PRESSURE BALANCE SHOWER VALVE

SKU: 948890

Code: SHGF8010, SH4001



REVISED 9/10/2025

PRESSURE BALANCE TUB & SHOWER ROUGH-IN VALVE

SKU: 446520
Code: SH4001



FEATURES

Material: Brass

Flow Rate: Rough-in Valve Capacity: 6.3 gpm (23.8 L/min) @ 80 psi

Connection Type: 1/2" MIP and SWT

Cartridge Type: Ceramic Disc

ASME A112.18.1/CSA B125.1, ASSE 1016 Type P, Massachusetts Accepted, LISTED ID: SH4001



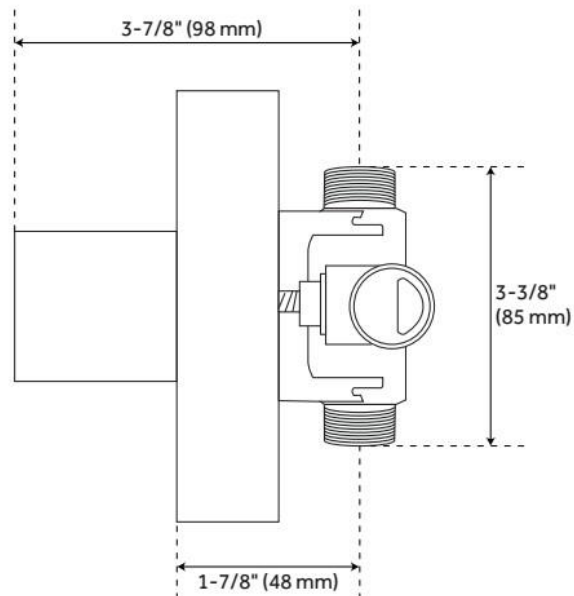
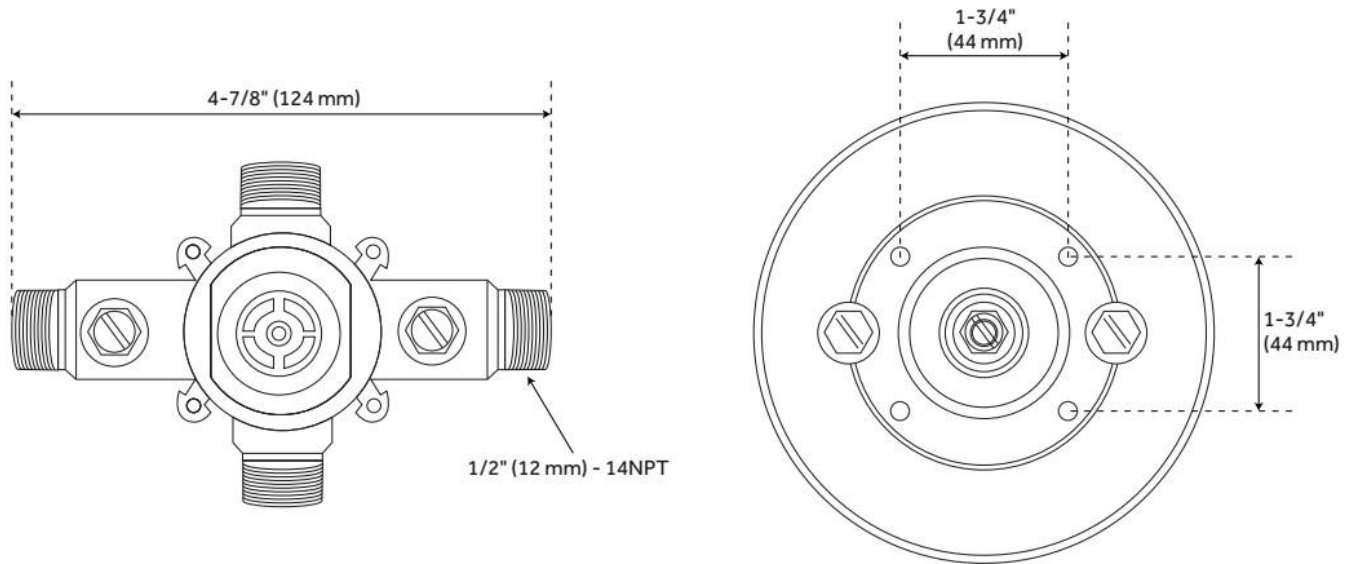
ADDITIONAL FEATURES

- Pressure balance valve with integral stops.
- One-piece ceramic cartridge design for ease of maintenance.
- Back-to-back capability
- Adjustable temperature limit stop.
- Quick remove plaster guard and easy mounting brackets.

REVISED 9/10/2025

PRESSURE BALANCE TUB & SHOWER ROUGH-IN VALVE

SKU: 446520
Code: SH4001



REVISED 9/10/2025

3-WAY IN-WALL DIVERTER ROUGH-IN VALVE - 3/4"

SKU: 446519
Code: SH6103



FEATURES

Material: Brass
Cartridge Type: Ceramic Disc

ASME A112.18.1/CSA B125.1, ASME A112.18.2/CSA B125.2, Massachusetts Accepted, LISTED ID: SH6103



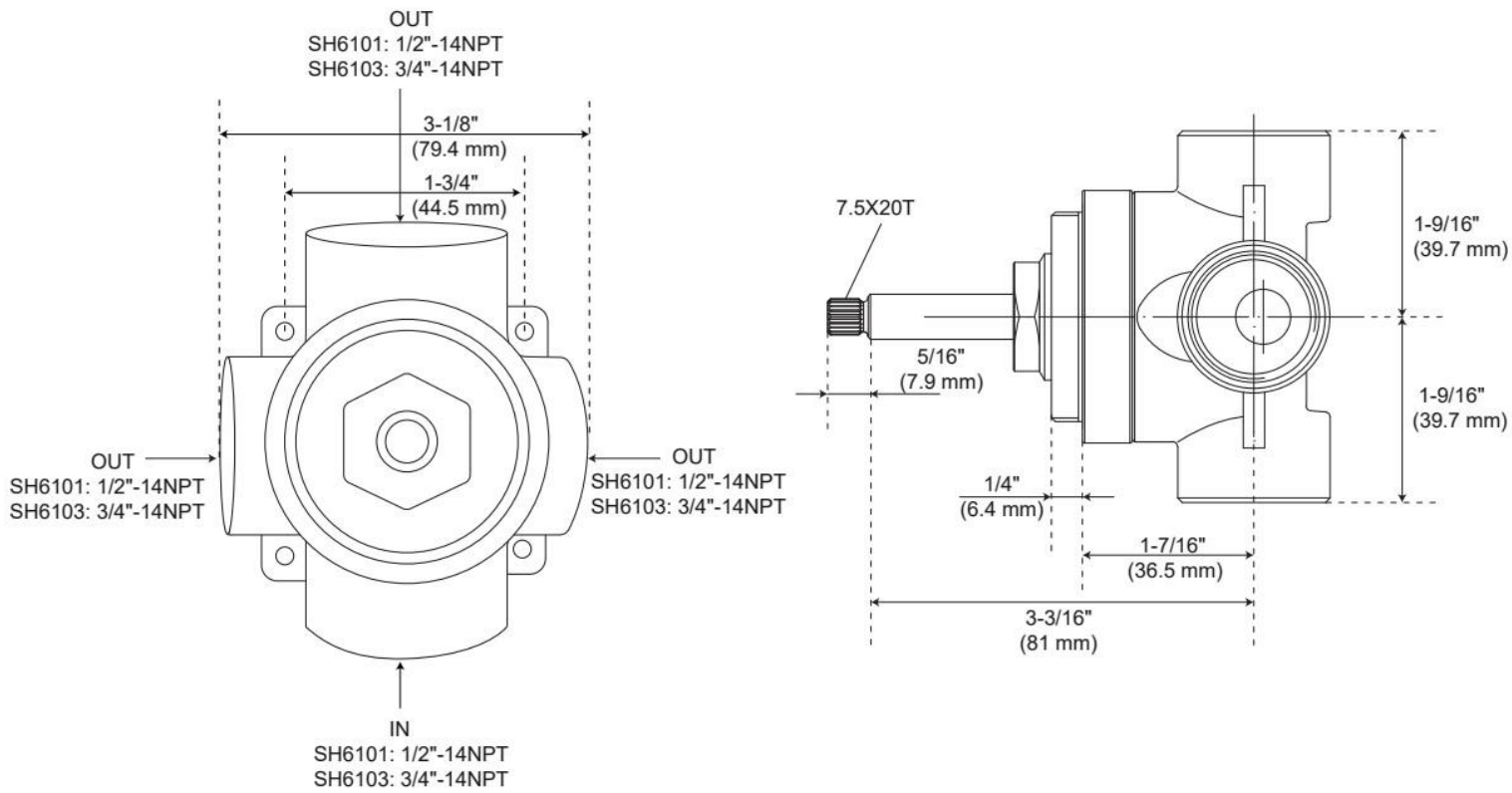
ADDITIONAL FEATURES

- Six total settings allow for shared water flow between outlets, giving you the ability to use two functions at once.
- Ceramic cartridge.
- Available Single-Function Diverter Valve Cartridge restricts water flow to one outlet at a time.
- Not intended as a shut off valve.
- For installations only requiring 2 outlets, the 3rd outlet may be looped into one of the existing pipes.

REVISED 9/10/2025

3-WAY IN-WALL DIVERTER ROUGH-IN VALVE - 3/4"

SKU: 446519
Code: SH6103



REVISED 9/10/2025