

# GREYFIELD THERMOSTATIC SHOWER SYSTEM WITH SLIDE BAR AND HAND SHOWER

SKU: 953972

Code: SHGF9009, SH6006, SHRSA123, SHRSB820RG, SHHS4110G, SHH1010, SHWE2040, SHGF9005, SH6103, SHGF9007, SH6040, SHSB3040CP



## FEATURES

- Material: Brass, ABS
- Shower Head Swivel: Yes
- Hand Shower Spray: Full, Massage, Massage + Full
- Hand Shower Flow Rate: 1.8 gpm (6.8 L/min) @ 80 psi
- Connection Type: 3/4" NPT
- Diverter Outlets: 3
- Cartridge Type: Thermostatic

ASME A112.18.1/CSA B125.1, ASME A112.18.2/CSA B125.2, CEC Listed, WaterSense by IAPMO, Massachusetts Accepted, LISTED ID: SH6103, SHGF9005\*, SHHS4110G\*, SHH1010\*, SHGF9007\*, SHGF9009\*, SH6006, SH6040, SHRSB820RG\*, SHWE2040\*, SHRSA123\*



## ADDITIONAL FEATURES

Greyfield Thermostatic Valve Trim:

- Temperature outlet factory preset to 104 degrees Fahrenheit.

8" Modern Round Rainfall Shower Head - 1.8 GP :

- Single function shower head (full spray).

Round Paddle Multifunction Hand Shower:

- 3 function hand shower (full spray, massage spray, full & massage spray).

Greyfield In-Wall Shower Diverter Trim:

- Metal Escutcheon.

Beasley In-Wall Shower Volume Control Trim:

- Overall Projection: 3-7/8".

Slide bar:

- Metal bar and mounting posts.

REVISED 6/14/2024

# GREYFIELD THERMOSTATIC SHOWER VALVE

SKU: 948556

Code: SHGF9009, SH6004, SH6006, SHGF9009, SH6004, SHGF9009, SH6006



## FEATURES

Material: Brass

Cartridge Type: Thermostatic

Required for Installation: Rough-in valve: SH6006 or SH6004

ASME A112.18.1/CSA B125.1, Massachusetts Accepted, LISTED ID: SHGF9009\*, SH6004, SH6006



## ADDITIONAL FEATURES

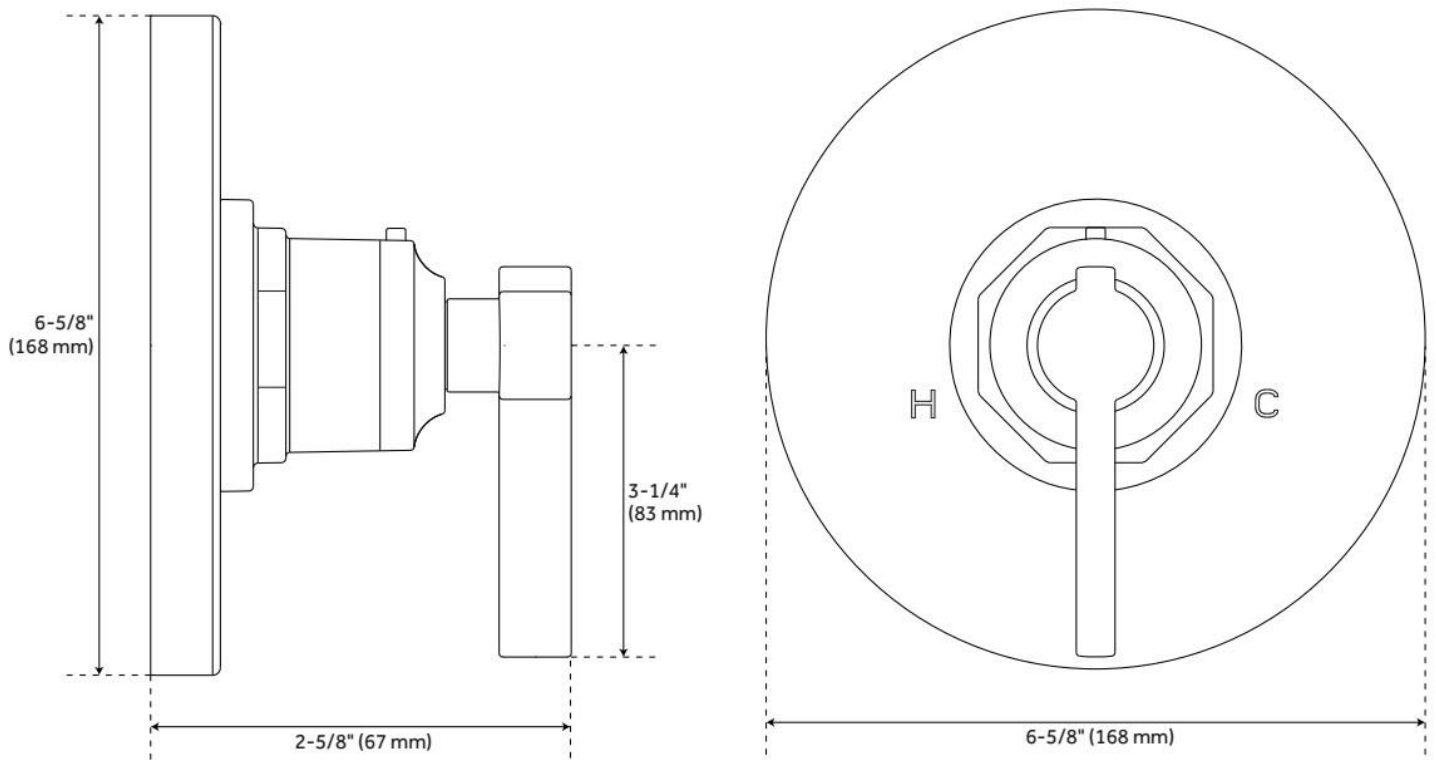
- Metal handle.
- Temperature outlet factory preset to 104 degrees Fahrenheit.
- Temperature can be easily adjusted up and down to user's comfort level.
- Scald guard protection.
- High temperature limit stop.
- Thermostatic technology keeps shower temperature within 1 degree Celsius.
- For proper installation, requires use of volume control valve and trim.
- Wall thickness range: 1" to 1-3/4"
- Optional Rough-in Valve:
  - Bronze valve body.
  - Ceramic cartridge.
  - Integral water stops and check valve.
  - Recommended valve installation depth 1-5/8" to 2-3/8"

REVISED 6/7/2024

# GREYFIELD THERMOSTATIC SHOWER VALVE

SKU: 948556

Code: SHGF9009, SH6004, SH6006, SHGF9009, SH6004, SHGF9009, SH6006



REVISED 6/7/2024

# GREYFIELD IN-WALL SHOWER VOLUME CONTROL HANDLE

SKU: 948555

Code: SHGF9004, SHGF9007, SH6020, SH6040, SHGF9007,SH6040, SHGF9007,SH6020, SHGF9005, SHGF9002, SHGF9003, SHGF9006



## FEATURES

Material: Brass

Required for Installation: Rough-in valve: SH6020 or SH6040

ASME A112.18.1/CSA B125.1, ICC/ANSI A117.1, Massachusetts Accepted, LISTED ID: SHGF9007\*, SH6020, SH6040



## ADDITIONAL FEATURES

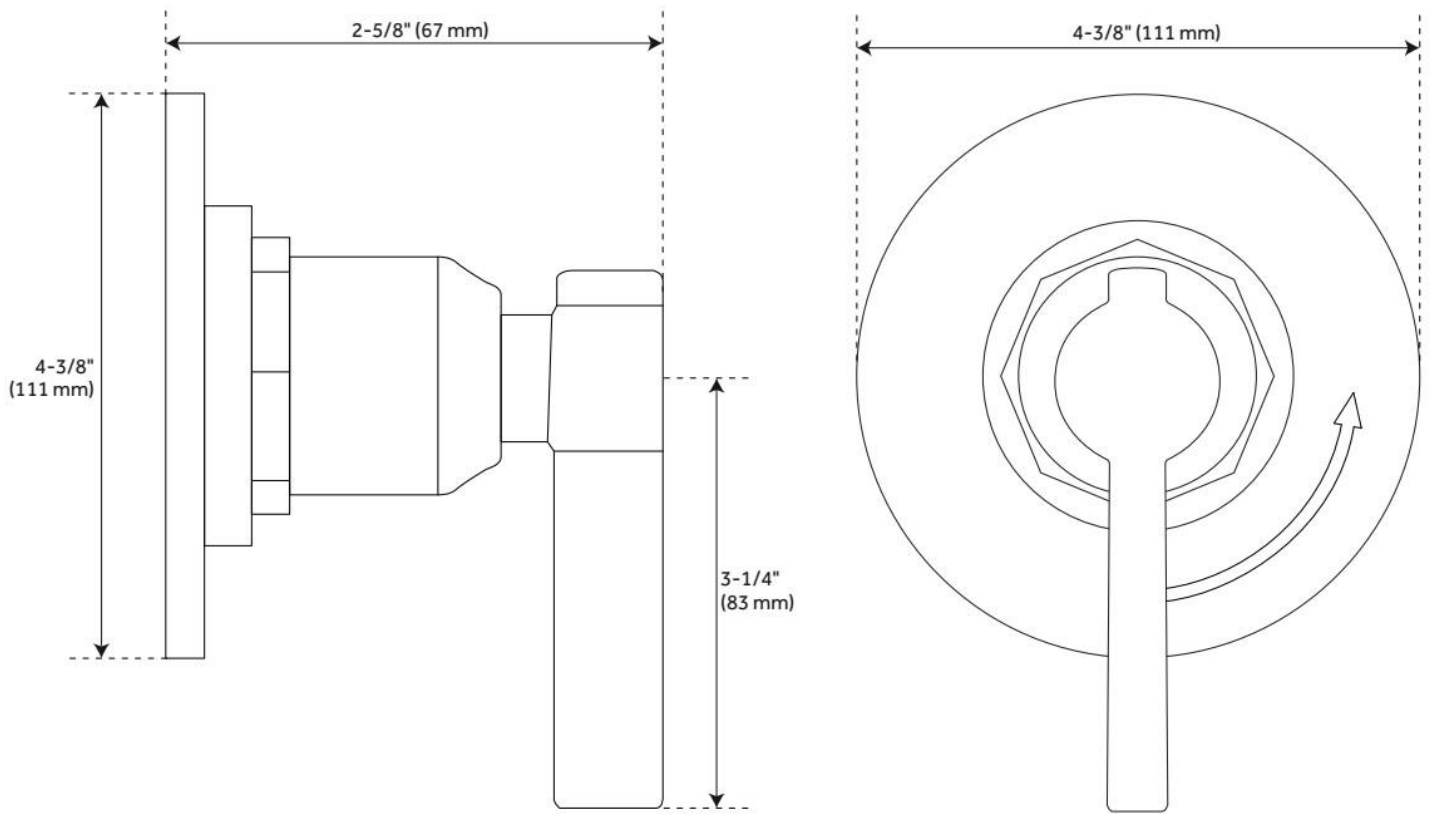
- Metal handle.
- Wall thickness range: 1" to 1-3/4"
- For proper installation, requires use of a thermostatic valve and trim.
- Optional Rough-in Valve:
  - Brass valve body.
  - Ceramic cartridge.
  - Recommended valve installation depth 1-5/8" to 2-3/8"

REVISED 6/7/2024

# GREYFIELD IN-WALL SHOWER VOLUME CONTROL HANDLE

SKU: 948555

Code: SHGF9004, SHGF9007, SH6020, SH6040, SHGF9007,SH6040, SHGF9007,SH6020, SHGF9005, SHGF9002, SHGF9003, SHGF9006



REVISED 6/7/2024

# 60" STRETCHABLE METAL HAND SHOWER HOSE

SKU: 948938

Code: SHH1010, SH484205, SH485500, SHH1010PB

## FEATURES

Connection Type: 1/2" IPS



ASME A112.18.1/CSA B125.1, Massachusetts Accepted, LISTED ID: SHH1010\*



## ADDITIONAL FEATURES

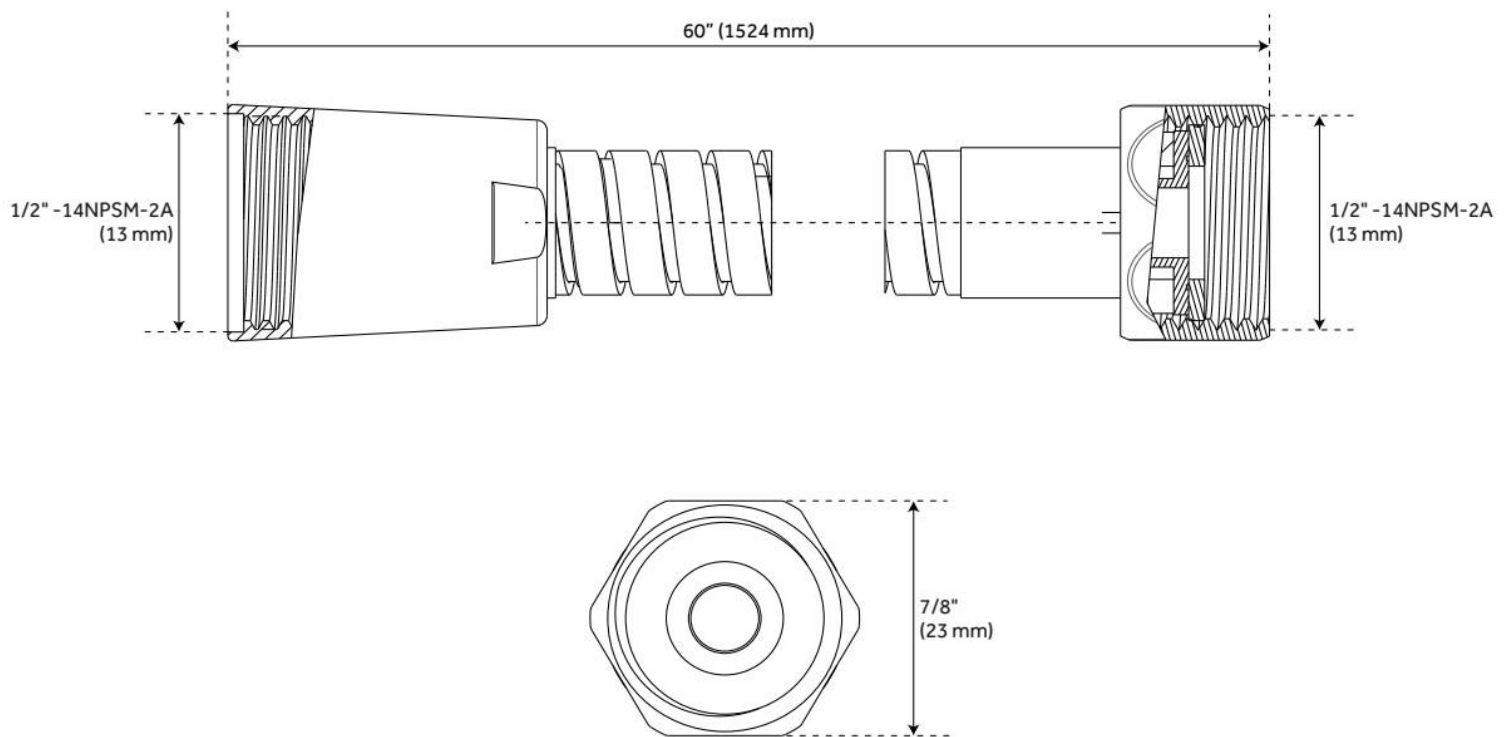
- 60" - 72" stretchable metal shower hose.
- Double spiral construction.
- Metal conical nut.

REVISED 5/24/2024

# 60" STRETCHABLE METAL HAND SHOWER HOSE

SKU: 948938

Code: SHH1010, SH484205, SH485500, SHH1010PB



REVISED 5/24/2024

# CONTEMPORARY SLIDE BAR FOR HAND SHOWER

SKU: 948919

Code: SHSB3040, SH484206, SH485501, SHSB3040PB



## FEATURES

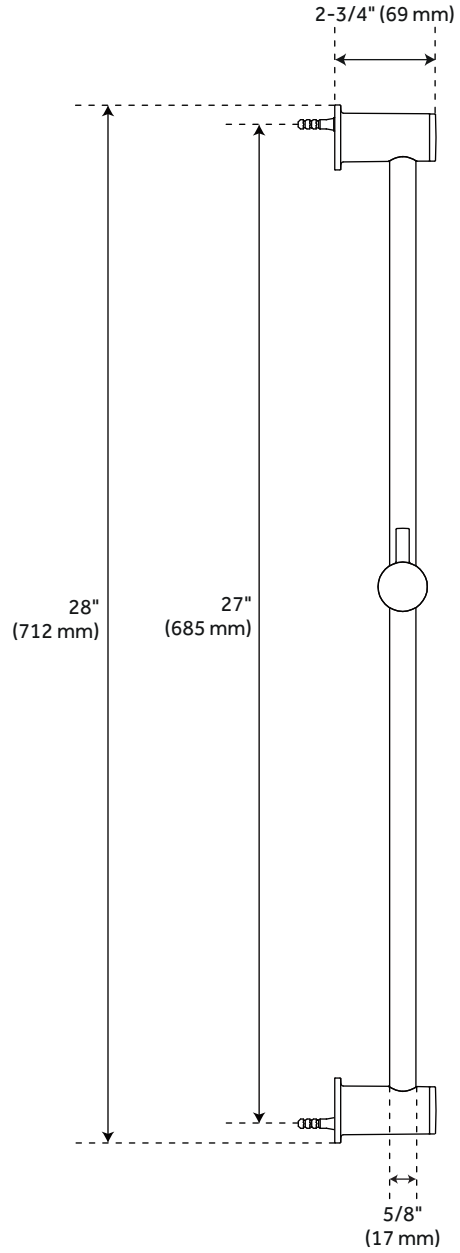
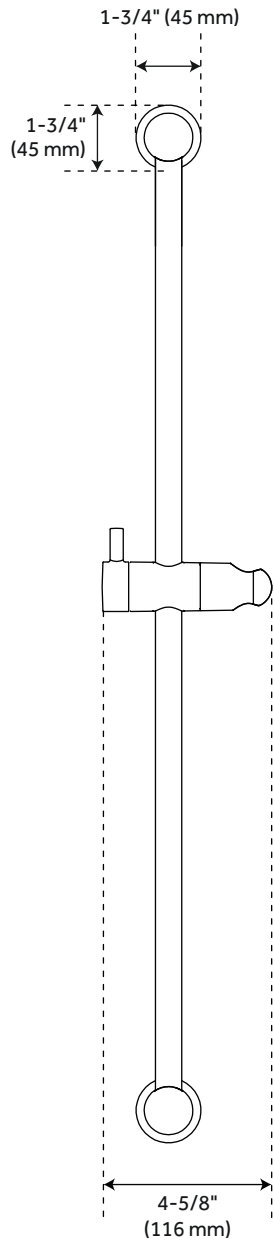
Material: Brass

## ADDITIONAL FEATURES

- Metal bar and mounting posts.
- Adjustable angle for handshower mount.

REVISED 5/29/2024





# ROUND PADDLE MULTIFUNCTION HAND SHOWER

SKU: 948920

Code: SHHS4110G, SH484202, SH485498

## FEATURES

Material: ABS

Hand Shower Spray: Full

Hand Shower Flow Rate: 1.8 gpm (6.8 L/min) @ 80 psi



ASME A112.18.1/CSA B125.1, CEC Listed, WaterSense by IAPMO, Massachusetts Accepted, LISTED ID: SHHS4110G\*



## ADDITIONAL FEATURES

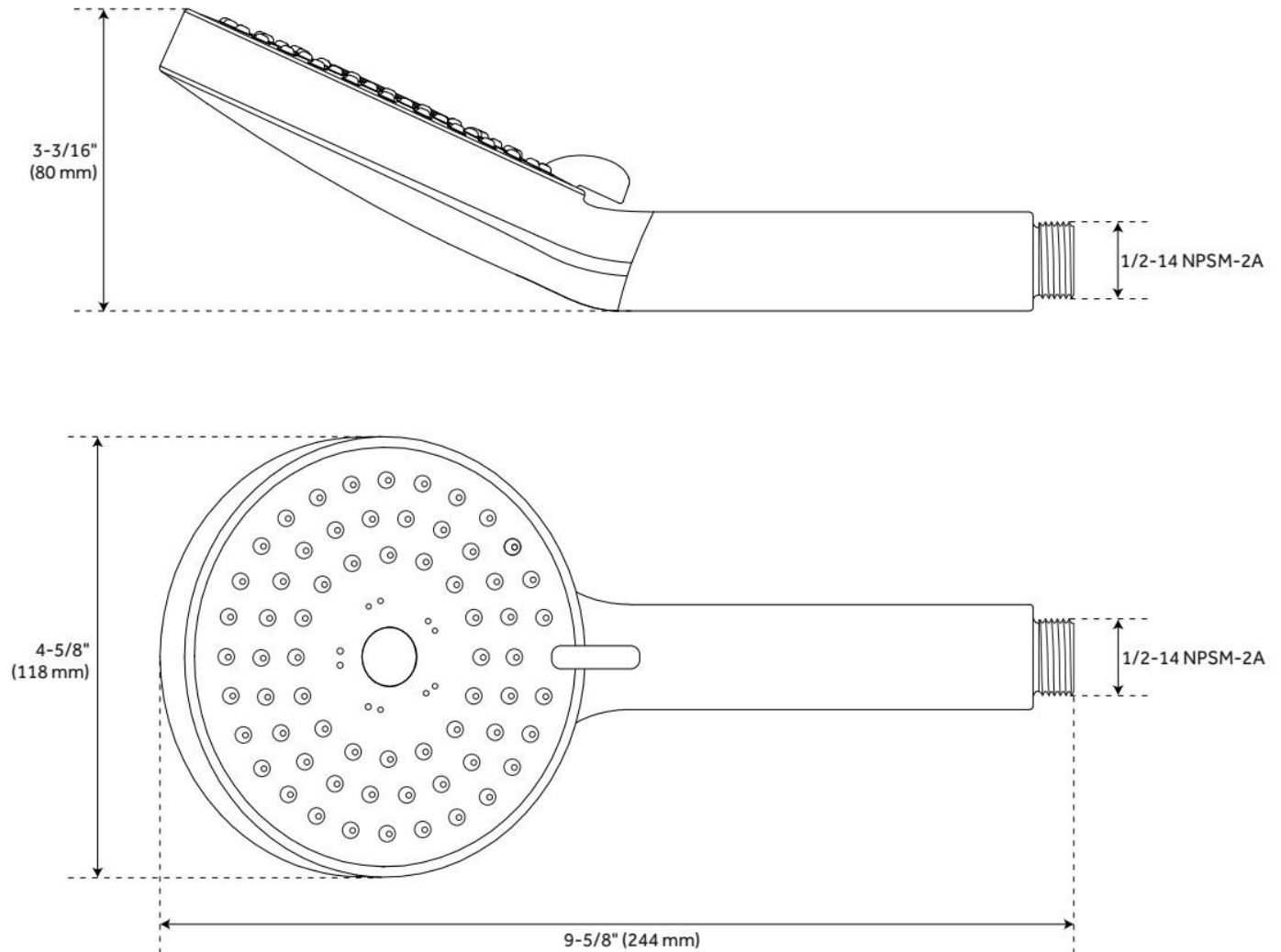
- 3 function hand shower (full spray, massage spray, full & massage spray).
- Easy-clean spray nozzles.
- Factory installed backflow prevention check valve.
- Hose sold separately.

REVISED 6/10/2024

# ROUND PADDLE MULTIFUNCTION HAND SHOWER

SKU: 948920

Code: SHHS4110G, SH484202, SH485498



REVISED 6/10/2024

# CONTEMPORARY ROUND WATER SUPPLY ELBOW FOR HAND SHOWER

SKU: 932365

Code: SHWE2040, SH417826, SH484207, SH485502, SHWE2040PB

## FEATURES

Material: Brass

Connection Type: 1/2" NPT



ASME A112.18.1/CSA B125.1, LISTED ID: SHWE2040\*



## ADDITIONAL FEATURES

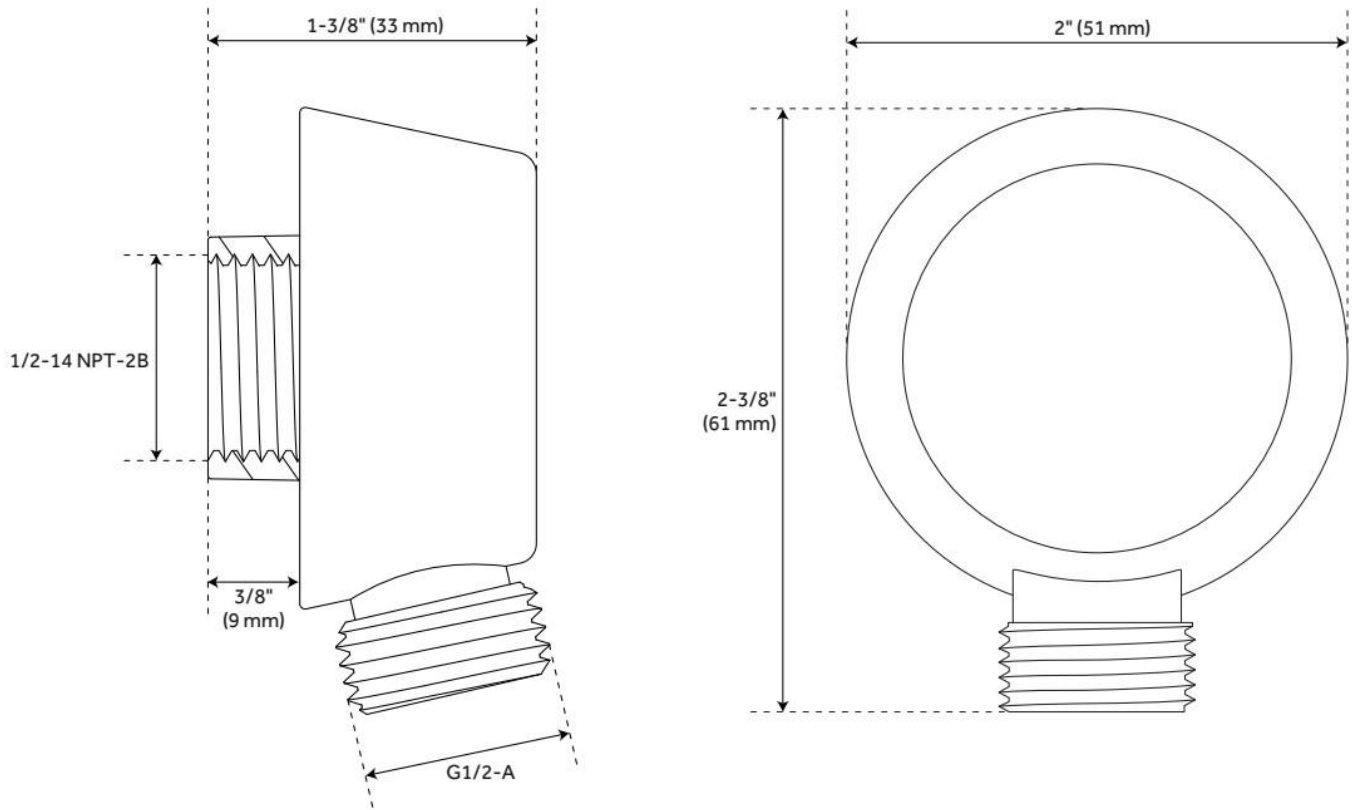
- 1/2" Female wall connection.
- 1/2" Male hose connection.

REVISED 5/29/2024

# CONTEMPORARY ROUND WATER SUPPLY ELBOW FOR HAND SHOWER

SKU: 932365

Code: SHWE2040, SH417826, SH484207, SH485502, SHWE2040PB



REVISED 5/29/2024

# GREYFIELD IN-WALL SHOWER DIVERTER

SKU: 948901

Code: SHGF9005, SH6103, SH484199, SH484198, SH485517, SH485516



## FEATURES

Material: Brass

ASME A112.18.1/CSA B125.1, ASME A112.18.2/CSA B125.2, ICC/ANSI A117.1, Massachusetts Accepted, LISTED ID: SH6103, SHGF9005\*



## ADDITIONAL FEATURES

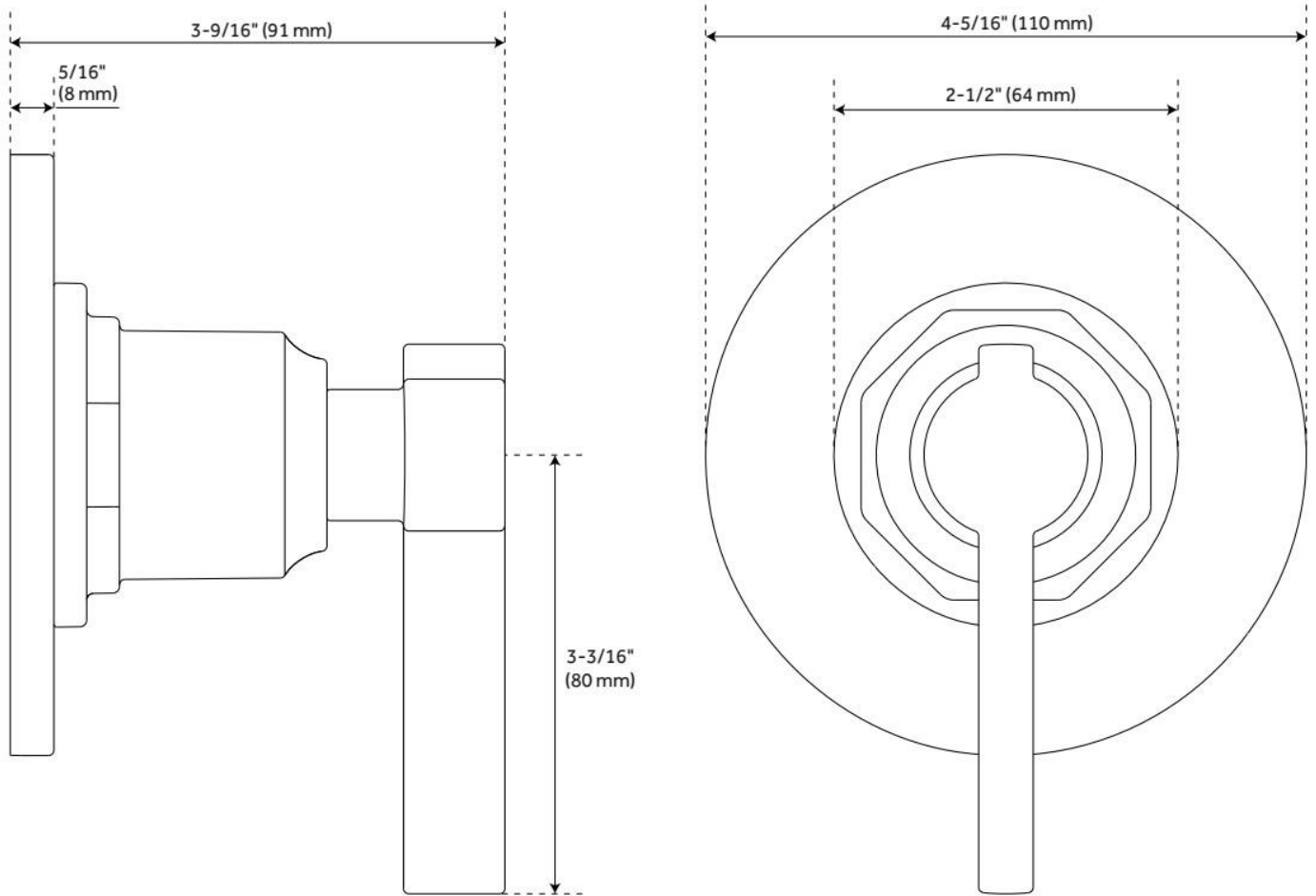
- Metal handle.
- Metal Escutcheon.
- Not intended as a shut off valve.
- Six total settings allow for shared water flow between outlets, giving you the ability to use two functions at once.
- Optional Rough-in Valve:
  - Available Single-Function Diverter Valve Cartridge restricts water flow to one outlet at a time.
  - Brass valve body.
  - Ceramic cartridge.
  - Must be installed in accordance with provided installation instructions.

REVISED 5/29/2024

# GREYFIELD IN-WALL SHOWER DIVERTER

SKU: 948901

Code: SHGF9005, SH6103, SH484199, SH484198, SH485517, SH485516



REVISED 5/29/2024

# 8" MODERN ROUND RAINFALL SHOWER HEAD - 1.75 GPM

SKU: 948948-18

Code: SHRSB820RG, SH484203, SH485499, SHRSB820RGPB



## FEATURES

Material: ABS

Shower Head Swivel: Yes

Flow Rate: 1.75 gpm (6.6 L/min) @ 80 psi

ASME A112.18.1/CSA B125.1, CEC Listed, WaterSense by IAPMO, Massachusetts Accepted, LISTED ID:  
SHRSB820RG\*



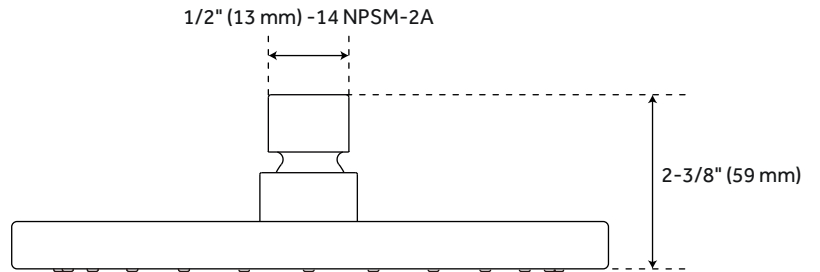
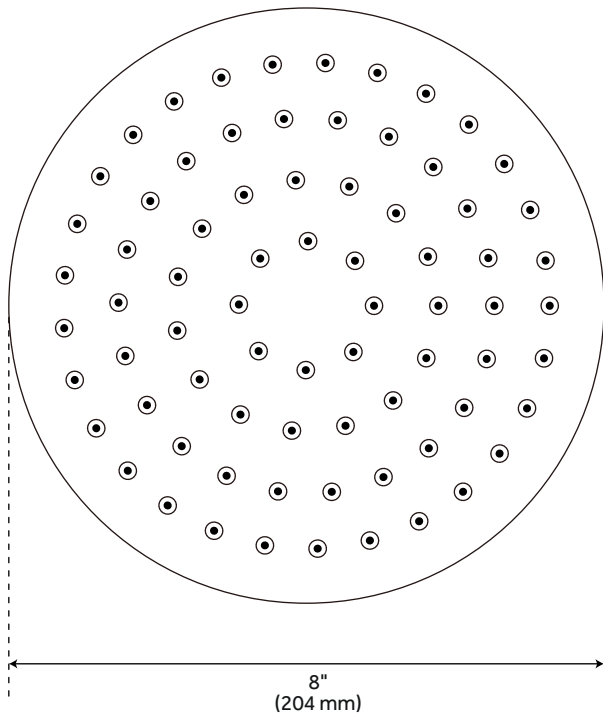
## ADDITIONAL FEATURES

- Single function shower head (full spray).
- Easy clean rubber nozzles.
- Brass ball joint.

REVISED 11/22/2024



# 8" MODERN ROUND RAINFALL SHOWER HEAD - 1.75 GPM



All dimensions and specifications are nominal and may vary. Use actual products for accuracy in critical situations.

# WALL-MOUNT RAINFALL SHOWER ARM

SKU: 948955

Code: SHRSA123, SHRSA181, SH485514, SHRSA150

## FEATURES

Material: Stainless Steel

Connection Type: 1/2" NPT



ASME A112.18.1/CSA B125.1, Massachusetts Accepted, LISTED ID: SHRSA123\*, SHRSA181\*, SHRSA150\*



## ADDITIONAL FEATURES

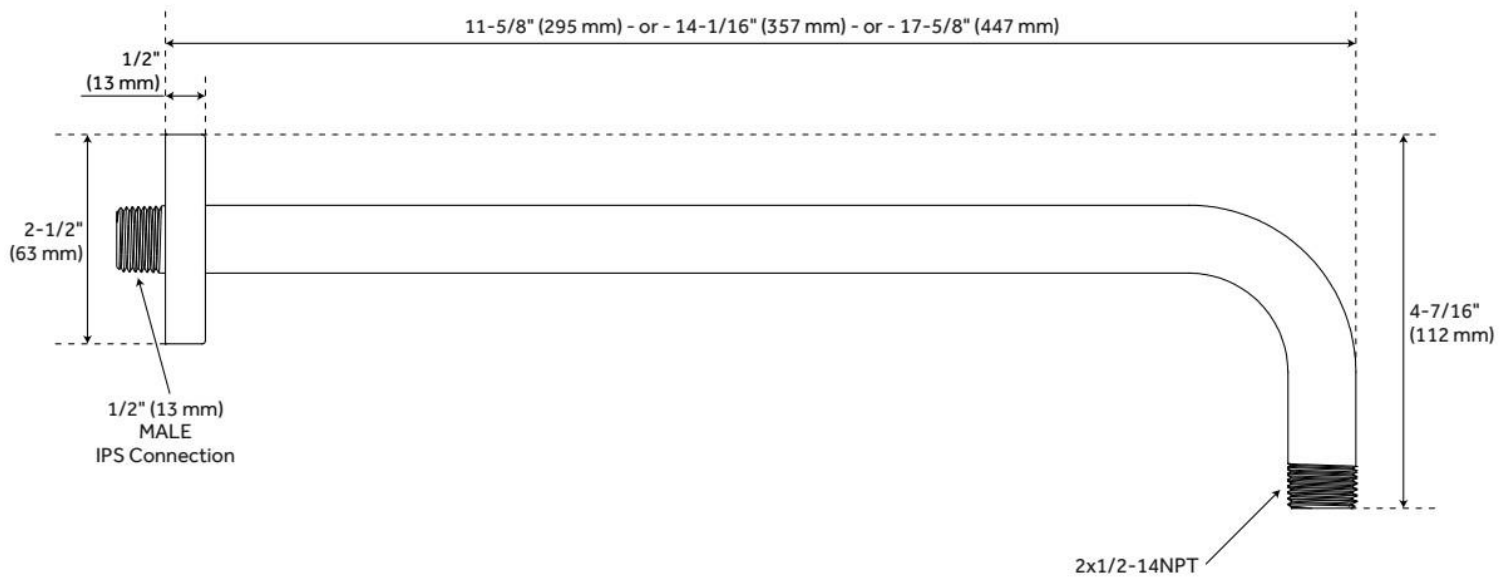
- All dimensions are ( $\pm 1/2$ ").
- Escutcheon included.

REVISED 6/10/2024

# WALL-MOUNT RAINFALL SHOWER ARM

SKU: 948955

Code: SHRSA123, SHRSA181, SH485514, SHRSA150



REVISED 6/10/2024

# 3-WAY IN-WALL DIVERTER ROUGH-IN VALVE - 3/4"

SKU: 446519  
Code: SH6103

## FEATURES

Material: Brass  
Cartridge Type: Ceramic Disc



IAPMO, ASME A112.18.1/CSA B125.1, ASME A112.18.2/CSA B125.2, Massachusetts Accepted, LISTED ID: SH6103



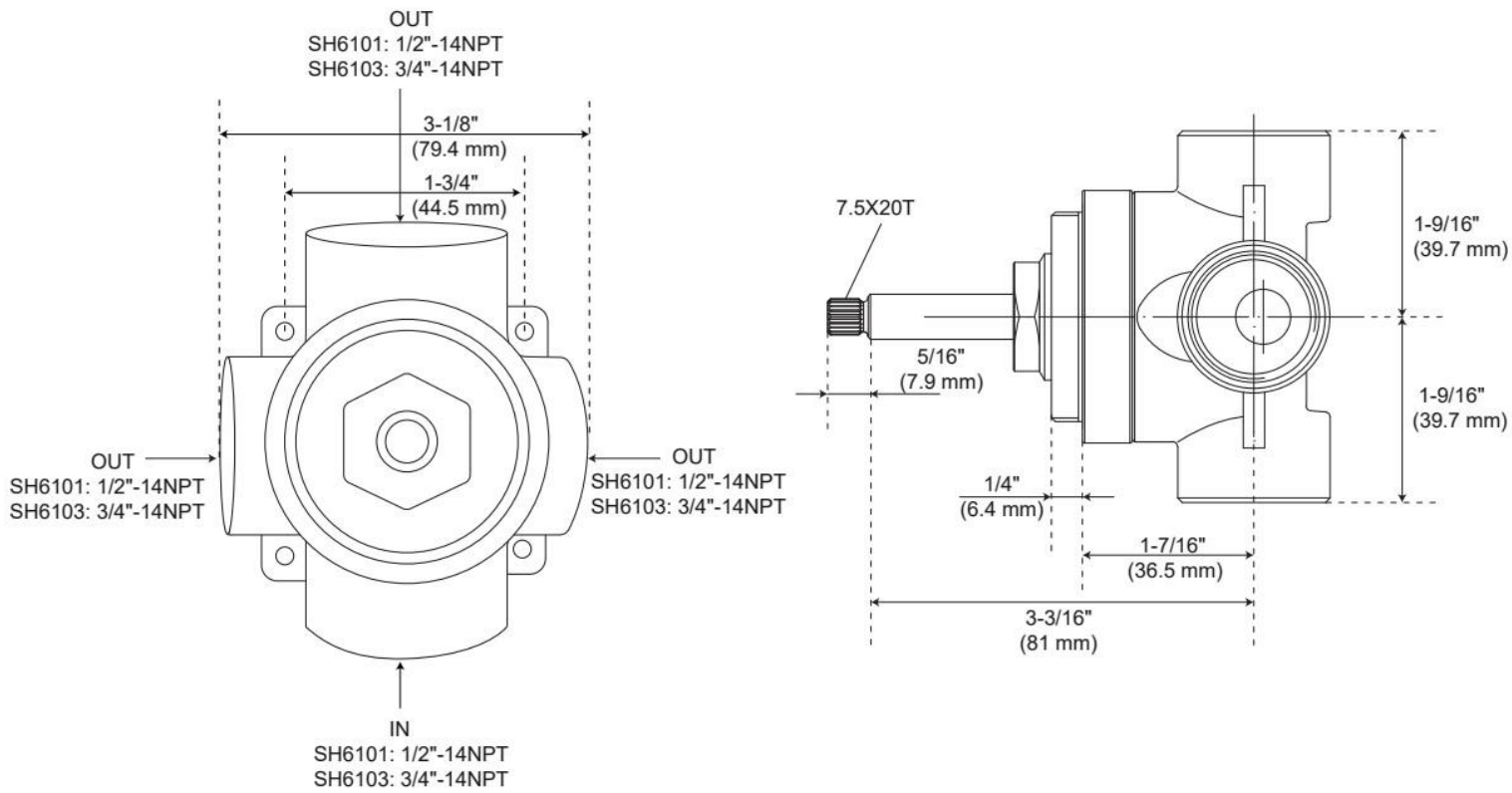
## ADDITIONAL FEATURES

- Six total settings allow for shared water flow between outlets, giving you the ability to use two functions at once.
- Ceramic cartridge.
- Available Single-Function Diverter Valve Cartridge restricts water flow to one outlet at a time.
- Not intended as a shut off valve.
- For installations only requiring 2 outlets, the 3rd outlet may be looped into one of the existing pipes.
- Compatible with Beasley, Berwyn, Boca Raton, Drea, Edenton, Elita, Greyfield, Gunther, Hibiscus, Key West, Lentz, Lexia, Pendleton, Pinecrest, Provincetown, Rigi, Sefina, Vassor and Vilamonte Diverter Trims.

REVISED 10/14/2024

# 3-WAY IN-WALL DIVERTER ROUGH-IN VALVE - 3/4"

SKU: 446519  
Code: SH6103



REVISED 10/14/2024

# VOLUME CONTROL ROUGH-IN VALVE

SKU: 948546

Code: SH6020, SH6040



ASME A112.18.1/CSA B125.1, Massachusetts Accepted, LISTED ID: SH6020, SH6040



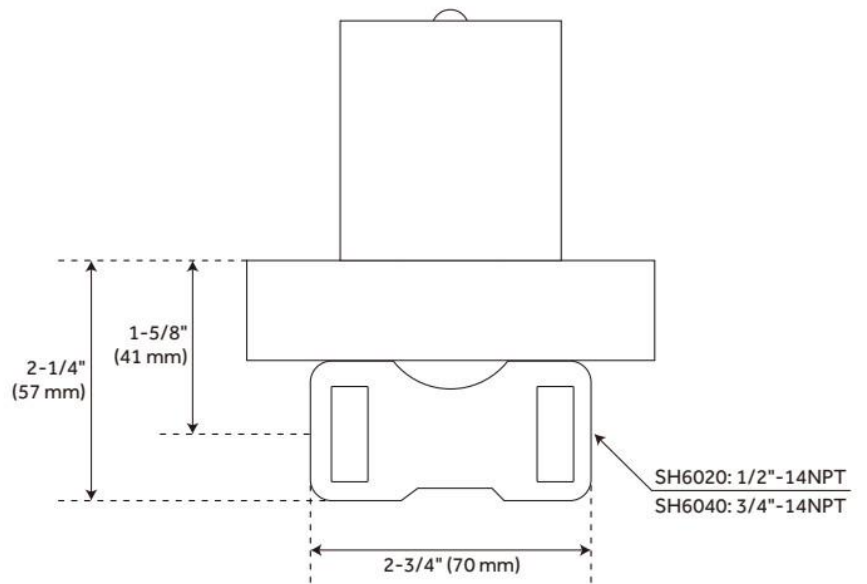
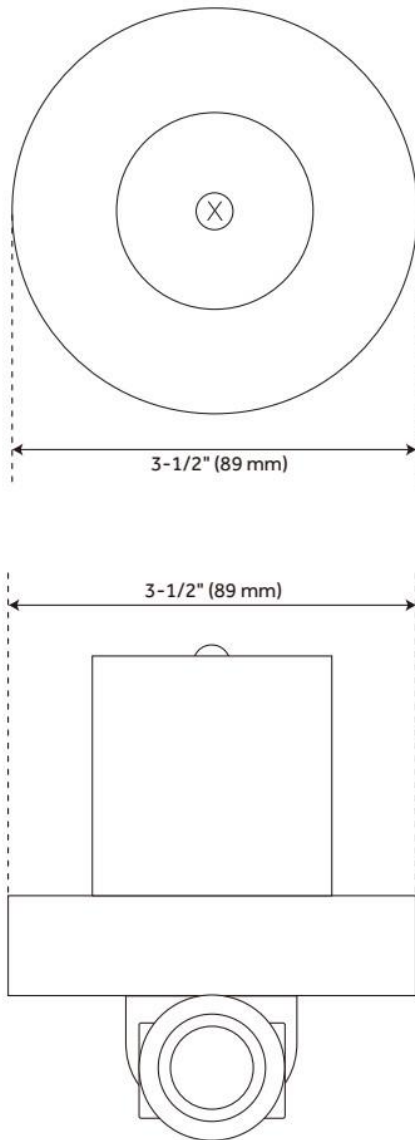
## ADDITIONAL FEATURES

- Intended for use with a thermostatic valve and trim.
- Bronze valve body.
- Ceramic cartridge.
- Compatible with Beasley, Berwyn, Boca Raton, Drea, Edenton, Elita, Greyfield, Gunther, Hibiscus, Key West, Lentz, Lexia, Pendleton, Pinecrest, Provincetown, Rigi, Sefina, Vassor and Vilamonte Volume Control Trims.

REVISED 11/22/2024

# VOLUME CONTROL ROUGH-IN VALVE

SKU: 948546  
Code: SH6020, SH6040



REVISED 11/22/2024

# THERMOSTATIC ROUGH-IN VALVE - 3/4" CONNECTION

SKU: 447694  
Code: SH6006

## FEATURES

Material: Bronze  
Flow Rate: 18.2 gpm (68.9 L/min) @ 80 psi  
Connection Type: 3/4" NPT  
Cartridge Type: Thermostatic



IAPMO, ASME A112.18.1/CSA B125.1, Massachusetts Accepted, LISTED ID: SH6006



## ADDITIONAL FEATURES

- Compatible with Beasley, Berwyn, Boca Raton, Drea, Edenton, Elita, Greyfield, Gunther, Hibiscus, Key West, Lentz, Lexia, Pendleton, Pinecrest, Provincetown, Rigi, Sefina, Vassor and Vilamonte Thermostatic Valve Trim.
- For proper installation, requires use of volume control valve and trim.
- Bronze valve body.
- Factory-calibrated comfort setting at 104 degrees Fahrenheit.
- Water inlet stops and check valve.
- Thermostatic technology keeps shower temperature  $\pm 1$  degree Celsius.

REVISED 10/21/2024